



 **Husqvarna**[®]



LF 85 S

Contents

Introduction.....	2	Transportation, storage and disposal.....	15
Safety.....	4	Accessories.....	16
Operation.....	8	Technical data.....	18
Maintenance.....	11		

Introduction

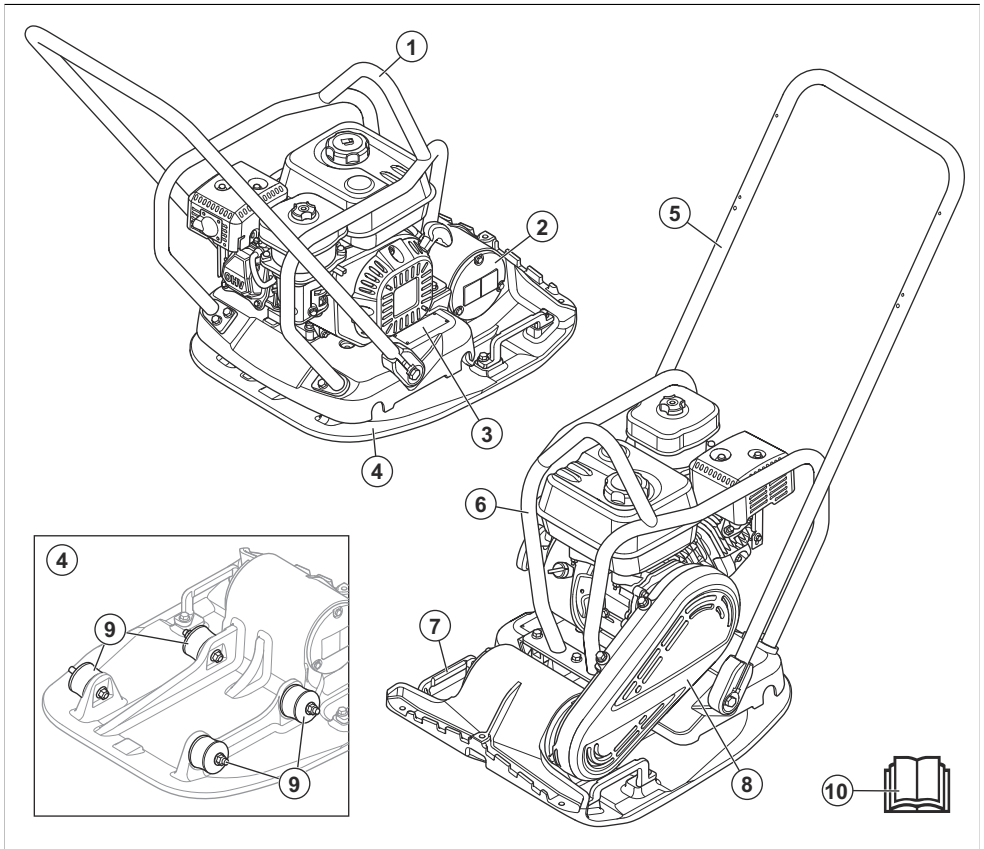
Product description

The product is a walk-behind forward plate compactor with a combustion engine. The product is used for compaction of thin to moderately thick layers of granular soils. With the optional water tank, the product can also be used for compaction of asphalt.

Intended use

The product is for professional operation only. Use the product for repairs and maintenance of driveways, paths and parking lots. With the optional block paving kit the product can also be used for block paving. Do not use the product for other tasks.

Product overview

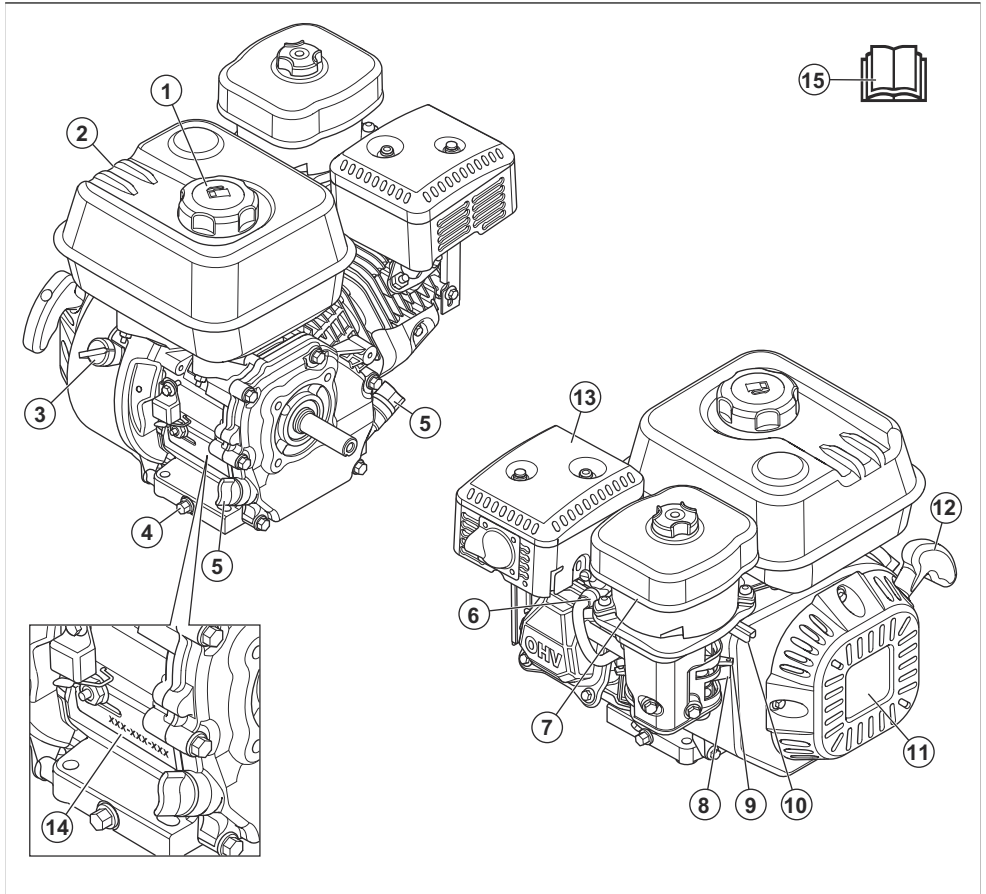


- 1. Lifting point
- 2. Eccentric element
- 3. Type plate
- 4. Bottom plate

- 5. Handle
- 6. Safety frame
- 7. Lifting handle

- 8. V-belt cover
- 9. Vibration damping units
- 10. Operator's manual

Engine overview



- 1. Fuel tank cap
- 2. Fuel tank
- 3. Engine ON/OFF switch
- 4. Drain plug for engine oil
- 5. Oil tank cap and dipstick
- 6. Spark plug
- 7. Air filter
- 8. Fuel valve lever
- 9. Choke control
- 10. Throttle control
- 11. Recoil starter
- 12. Starter rope handle
- 13. Muffler

- 14. Serial number
- 15. Operator's manual

Symbols on the product



WARNING: Be careful and use the product correctly. This product can cause serious injury or death to the operator or others.



Read the manual carefully and make sure that you understand the instructions before you use the product.



Read the manual carefully and make sure that you understand the instructions before you use the product.



Unleaded gasoline with a maximum of 10% ethanol.



Use hearing protection.



Risk of injury. Be careful around the drive belt.



Hot surface.



Keep your hands away from this area.



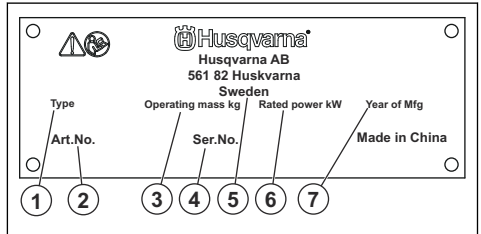
Lifting point on the safety frame.



Do not attach the lifting equipment at this point. (LF 85 S)

Note: Other symbols/decals on the product refer to special certification requirements for some markets.

Type plate



1. Product type
2. Product number
3. Product weight
4. Serial number
5. Manufacturer
6. Rated power
7. Production year

Product damage

We are not responsible for damages to our product if:

- the product is incorrectly repaired.
- the product is repaired with parts that are not from the manufacturer or not approved by the manufacturer.
- the product has an accessory that is not from the manufacturer or not approved by the manufacturer.
- the product is not repaired at an approved service center or by an approved authority.

Safety

Safety definitions

Warnings, cautions, and notes are used to point out particularly important parts of the manual.



WARNING: Used if there is a risk of injury or death for the operator or bystanders if the instructions in the manual are not obeyed.



CAUTION: Used if there is a risk of damage to the product, other materials or the adjacent area if the instructions in the manual are not obeyed.

Note: Used to give more information that is necessary in a given situation.

General safety instructions



WARNING: Read the warning instructions that follow before you use the product.

- This product is a dangerous tool if you are not careful or if you use the product incorrectly. This product can cause serious injury or death to the operator or others. Before you use the product,

you must read and understand the contents of this operator's manual.

- This product is not intended for use by persons (including children) with reduced physical, sensory or mental capabilities, or lack of experience and knowledge.
 - Save all warnings and instructions.
 - Comply with all applicable laws and regulations.
 - The operator and the employer of the operator must know and prevent the risks during operation of the product.
 - Do not let a person operate the product unless they read and understand the contents of the operator's manual.
 - Do not operate the product unless you receive training before use. Make sure that all operators receive training.
 - Do not let a child operate the product.
 - Only let approved persons operate the product.
 - The operator is responsible for accidents that occur to other persons or their property.
 - Do not use the product if you are tired, ill, or under the influence of alcohol, drugs or medicine.
 - Always be careful and use your common sense.
 - This product produces an electromagnetic field during operation. This field can under some circumstances interfere with active or passive medical implants. To decrease the risk of serious injury or death, we recommend persons with medical implants to speak to their physician and the medical implant manufacturer before operating this product.
 - Keep the product clean. Make sure that you can clearly read signs and decals.
 - Do not use the product if it is damaged.
 - Do not make modifications to this product.
 - Do not operate the product if it is possible that other persons have made modifications to the product.
- Make sure that all parts of the product are cool before you touch it.
 - Make sure that there is no grease or oil on the handle.
 - Do not use the product in areas where fire or explosions can occur.
 - The product can cause objects to eject at high speed. Make sure that all persons in the work area use approved personal protective equipment. Remove loose objects from the work area.
 - Before you go away from the product, stop the engine and make sure that there is no risk of accidental start.
 - Make sure that clothes, long hair and jewelry do not get caught in moving parts.
 - Do not sit on the product.
 - Do not hit the product.
 - Always operate the product from behind with your hands on the handle.
 - Do not operate the product near electrical cables. The product does not have electrical insulation and injury or death can occur.
 - Before you operate the product, find out if there are hidden wires, cables and pipes in the work area. If the product hits a hidden object, stop the engine immediately and examine the product and the object. Do not start to operate the product again until you know that it is safe to continue.
 - Do not touch the bottom plate when you operate the product or after the engine stops. The bottom plate is hot. Hot areas can cause injury.

Safety instructions for operation



WARNING: Read the warning instructions that follow before you use the product.

- Make sure that you know how to stop the engine quickly in an emergency.
 - The operator must have the physical strength that is necessary to operate the product safely.
 - Do not operate the product without all protective covers installed.
 - Use personal protective equipment. Refer to *Personal protective equipment on page 6*.
 - Make sure that only approved persons are in the work area.
 - Keep the work area clean and bright.
 - Make sure that you are in a safe and stable position during operation.
- During operation of the product, vibrations go from the product to the operator. Regular and frequent operation of the product can cause or increase the degree of injuries to the operator. Injuries can occur in fingers, hands, wrists, arms, shoulders, and/or nerves and blood supply or other body parts. The injuries can be debilitating and/or permanent, and can increase gradually during weeks, months or years. Possible injuries include damage to the blood circulation system, the nervous system, joints, and other body structures.
 - Symptoms can occur during operation of the product or at other times. If you have symptoms and continue to operate the product, the symptoms can increase or become permanent. If these or other symptoms occur, get medical aid:
 - Numbness, loss of feeling, tingling, pricking, pain, burning, throbbing, stiffness, clumsiness, loss of strength, changes in skin color or condition.

Vibration safety



WARNING: Read the warning instructions that follow before you use the product.

- Symptoms can increase in cold temperatures. Use warm clothing and keep your hands warm and dry when you operate the product in cold environments.
- Do maintenance on and operate the product as given in the operator's manual, to keep a correct vibration level.
- The product has a vibration damping system that decreases the vibrations from the handles to the operator. Let the product do the work. Do not push the product with force. Hold the product at the handles lightly, but make sure that you control the product and operate it safely. Do not push the handles into the end stops more than necessary.
- Keep your hands on the handle or handles only. Keep all other body parts away from the product.
- Stop the product immediately if strong vibrations suddenly occurs. Do not continue the operation before the cause of the increased vibrations is removed.
- The exhaust fumes from the engine contain carbon monoxide which is an odourless, poisonous and very dangerous gas. To breathe carbon monoxide can cause death. Because carbon monoxide is odourless and cannot be seen, it is not possible to sense it. A symptom of carbon monoxide poisoning is dizziness, but it is possible that a person becomes unconscious without warning if the quantity or concentration of carbon monoxide is sufficient.
- Exhaust fumes also contain unburned hydrocarbons including benzene. Long-term inhalation can cause health problems.
- Exhaust fumes that you can see or smell also contain carbon monoxide.
- Do not use a combustion engine product indoors or in areas that do not have sufficient airflow.
- Do not breathe the exhaust fumes.
- Make sure that the airflow in the work area is sufficient. This is very important when you operate the product in trenches or other small work areas where exhaust fumes can easily collect.

Dust safety



WARNING: Read the warning instructions that follow before you use the product.

- Operation of the product can cause dust in the air. Dust can cause serious injury and permanent health problems. Silica dust is regulated as harmful by several authorities. These are examples of such health problems:
 - The fatal lung diseases chronic bronchitis, silicosis and pulmonary fibrosis
 - Cancer
 - Birth defects
 - Skin inflammation
- Use correct equipment to decrease the quantity of dust and fumes in the air and to decrease dust on work equipment, surfaces, clothing and body parts. Examples of controls are dust collection systems and water sprays to bind dust. Decrease dust at the source where possible. Make sure that the equipment is correctly installed and used and that regular maintenance is done.
- Use approved respiratory protection. Make sure that the respiratory protection is applicable for the dangerous materials in the work area.
- Make sure that the airflow is sufficient in the work area.
- If it is possible, point the exhaust of the product where it cannot cause dust to go into the air.

Exhaust fumes safety



WARNING: Read the warning instructions that follow before you use the product.

Noise safety



WARNING: Read the warning instructions that follow before you use the product.

- High noise levels and long-term exposure to noise can cause noise-induced hearing loss.
- To keep the noise level to a minimum, do maintenance on and operate the product as given in the operator's manual.
- Examine the muffler for damages. Make sure that the muffler is correctly attached to the product.
- Use approved hearing protection while you operate the product.
- Listen for warning signals and voices when you use hearing protection. Remove the hearing protection when the product is stopped, unless hearing protection is necessary for the noise level in the work area.

Personal protective equipment



WARNING: Read the warning instructions that follow before you use the product.

- Always use approved personal protective equipment when you operate the product. Personal protective equipment cannot fully prevent injury but it decreases the degree of injury if an accident does occur. Let your dealer help you select the correct personal protective equipment.
- Regularly do a check of the condition of the personal protective equipment.
- Use an approved protective helmet.
- Use approved hearing protection.

- Use approved respiratory protection.
- Use approved eye protection with side protection.
- Use protective gloves.
- Use boots with steel toe-cap and non-slip sole.
- Use approved work clothing or equivalent close-fitting clothing that has long sleeves and long legs.

Fire extinguisher

- Keep a fire extinguisher near during operation.
- Use a powder fire extinguisher of "ABE" class or a carbon dioxide fire extinguisher of "BE" type.

Safety devices on the product



WARNING: Read the warning instructions that follow before you use the product.

- Do not use a product with safety devices that are damaged or do not operate correctly.
- Do a check of the safety devices regularly. If the safety devices are damaged or do not operate correctly, speak to your Husqvarna servicing dealer.
- Do not make modifications to safety devices.

Muffler

The muffler keeps the noise levels to a minimum and sends the exhaust fumes away from the operator.

Do not use the product if the muffler is missing or damaged. A damaged muffler increases the noise level and the risk of fire.



WARNING: The muffler becomes very hot during and after use and when the engine operates at idle speed. Be careful near flammable materials and/or fumes to prevent fire.

To do a check of the muffler

- Examine the muffler regularly to make sure that it is attached correctly and not damaged.

Engine ON/OFF switch

The engine can only start when the engine ON/OFF switch is set to "ON". The engine stops when you set the engine ON/OFF switch to "OFF".

To do a check of the engine ON/OFF switch

1. Start the engine. Refer to *To start the product on page 9*.
2. Set the engine ON/OFF switch to "OFF". The engine stops.

Safety frame

The safety frame prevents damage to the product if it falls. The handle and the lifting point are parts of the safety frame.

To do a check of the safety frame

- Make sure that there are no cracks or other damages on the safety frame.
- Make sure that the safety frame is correctly installed on the product.

Vibration damping units

The vibration damping units decrease vibration in the product. The vibration damping units decrease harmful vibrations to prevent injury to the operator and damage to the product.

To do a check of the vibration damping units

There are 4 vibration damping units, 2 on the left side and 2 on the right side of the product.

- Make sure that the vibration damping units are correctly installed.
- Examine the vibration damping units for damages and wear.
- Replace the vibration damping units if it is necessary.

Fuel safety



WARNING: Read the warning instructions that follow before you use the product.

- Fuel is flammable and the vapors are explosive. Be careful with fuel to prevent injury, fire and explosion.
- Do not breathe in the fuel vapors. The fuel vapors are poisonous and can cause injury. Make sure that the airflow is sufficient.
- Do not remove the fuel tank cap or fill the fuel tank when the engine is on.
- Make sure that the engine is cool before you refuel.
- Do not fill fuel in an indoor area or in a closed space. Insufficient airflow can cause injury or death because of asphyxiation or carbon monoxide poisoning.
- Do not smoke near the fuel or the engine. Extinguish all cigarettes, cigars, pipes and other sources of ignition.
- Do not put hot objects near the fuel or the engine.
- Do not fill fuel near sparks or flames.
- Before you refuel, open the fuel tank cap slowly and release the pressure carefully.
- Fuel on your skin can cause injury. If you get fuel on your skin, use soap and water to remove the fuel.
- If you spill fuel on your clothing, change clothing immediately.

- Do not fill the fuel tank fully. Heat causes the fuel to expand. Keep a space at the top of the fuel tank.
- Tighten the fuel tank cap fully. If the fuel tank cap is not tightened, there is a risk of fire.
- Before you start the product, move the product to a minimum of 3 m/10 ft from where you refueled.
- Do not start the product if there is fuel or engine oil on the product. Remove the unwanted fuel and engine oil. Let the product dry and wait until fuel vapors are gone before you start the engine.
- Examine the engine for leaks regularly. If there are leaks in the fuel system, do not start the engine until the leaks are repaired.
- Do not use your fingers to examine the engine for leaks.
- Keep fuel in approved containers only.
- When the product and fuel is in storage, make sure that fuel and fuel vapors cannot cause damage.
- Drain the fuel in an approved container outdoors and away from sparks and flames.

Safety instructions for operation on slopes



WARNING: Read the warning instructions that follow before you use the product.

- Do not operate the product on a slope that is more than 20°. Loose ground, vibrations and the operation speed can cause the product to fall on a slope that is less than 20°.
- Make sure that the work area is safe. Wet and loose soil decreases safe operation of the product. Be very careful on slopes and rough surfaces.
- Make sure that all persons in the work area are above the product on the slope.
- Operate the product up and down the slope, not from side to side.
- Do not park the product on a slope. If you must park the product on a slope, make sure that the product cannot fall. There is a risk of injury and damage.

Safety instructions for operation near edges



WARNING: Read the warning instructions that follow before you use the product.

- There is a risk that the product falls when you operate it near an edge. Always keep a minimum of ⅓ of the product on a surface that is sufficiently stable to hold the product weight.
- If the product falls, stop the engine before you lift the product back to a surface that is sufficiently stable. Refer to *To stop the product on page 10*.

Safety instructions for maintenance



WARNING: Read the warning instructions that follow before you use the product.

- If the maintenance is not done correctly and regularly, the risk of injury and damage to the product increases.
- Use personal protective equipment. Refer to *Personal protective equipment on page 6*.
- Stop the engine and make sure that all parts of the product are cool before you do the maintenance.
- Clean the product to remove dangerous material before you do the maintenance.
- Disconnect the spark plug cap before you do the maintenance.
- The exhaust fumes from the engine are hot and can contain sparks. Do not operate the product in indoor areas or near flammable material.
- Do not change the product. Modifications that are not approved by the manufacturer, can cause serious injury or death.
- Always use original accessories and spare parts. Accessories and spare parts that are not approved by the manufacturer, can cause serious injury or death.
- Replace damaged, worn or broken parts.
- Only do the maintenance as given in this operator's manual. Let an approved service center do all other servicing.
- Remove all tools from the product before you start the engine after maintenance. Loose tools or tools attached to rotating parts can eject and cause injury.
- After maintenance, do a check of the vibration level in the product. If it is not correct, speak to an approved service center.
- Let an approved service center do servicing on the product regularly.

Operation

Introduction



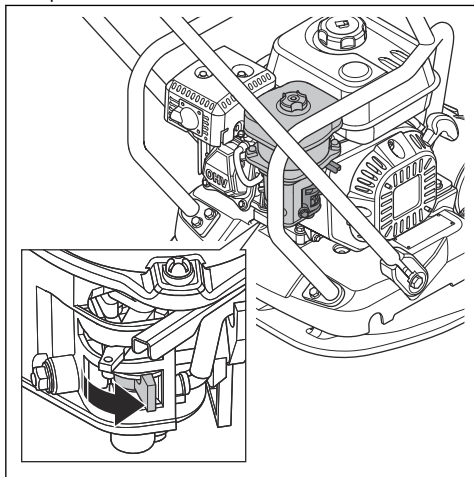
WARNING: Read and understand the safety chapter before you use the product.

To do before you operate the product

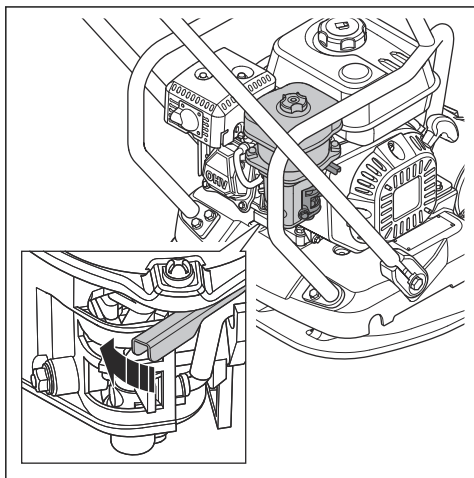
- Read the operator's manual carefully and make sure that you understand the instructions.
- Read the engine manual that is supplied by the engine manufacturer.
- Do the daily maintenance. Refer to *Maintenance schedule on page 11*.

To start the product

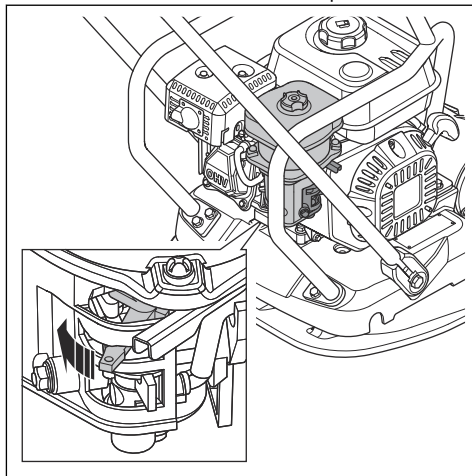
1. Open the fuel valve.



2. Set the throttle control to 1/3 throttle.

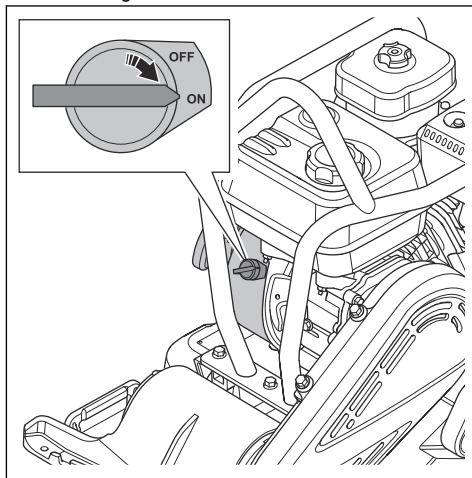


3. Set the choke control in the correct position.

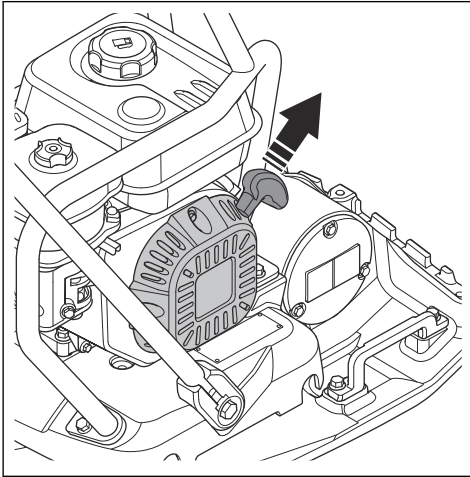


- a) If the engine is cold, close the choke.
- b) If the engine is warm or the ambient temperature is high, open the choke.

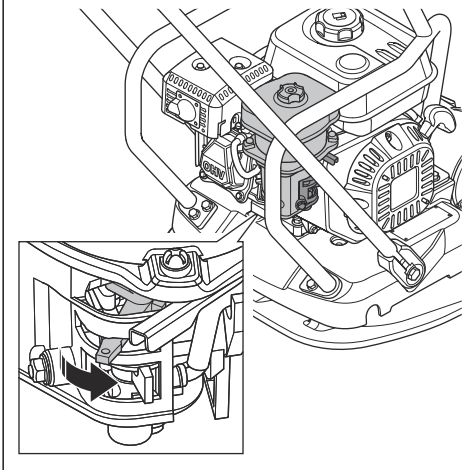
4. Set the engine ON/OFF switch to "ON".



- Pull the starter rope handle slowly until you feel resistance.

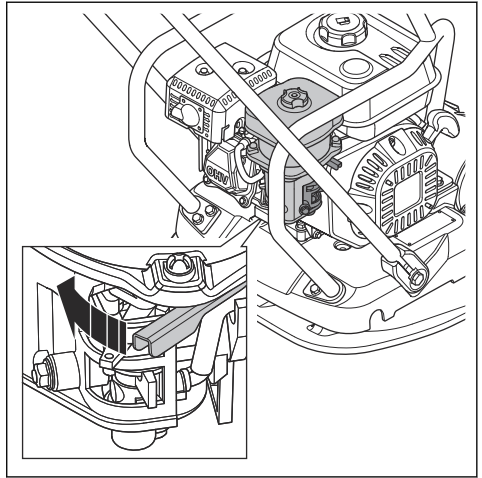


- Release the starter rope handle to let the starter rope go back.
- Pull the starter rope handle until the engine starts.
- Open the choke control gradually until it is fully open.



- Let the engine operate at idle speed for 2–3 minutes.

- Set the throttle control to full throttle.



To do if the engine does not start

If the engine does not start and white smoke shows, do the procedure that follows.

- Set the throttle control to the stop position.
- Slowly pull and release the starter rope handle 5 times.
- Do the start procedure again.

To operate the product



CAUTION: Always operate the product forward and at full throttle. Lower engine speed and rearward movement prevent correct function of the eccentric element and can cause product failure.

- Make sure that the throttle control is set to full throttle.
- Carefully push the product forward.



CAUTION: Do not push the product down. Too much pressure can cause unsatisfactory result.

- To change direction, turn the product around.
 - To turn the product with a minimum turning radius, lift the handle to a 90 degrees angle. Use this function in small spaces and on ground that is not level.

To stop the product

- Move the throttle control to the idle speed position.
- Set the ON/OFF switch to "OFF". The engine stops.
- Move the fuel valve to the "OFF" position.

Maintenance

Introduction



WARNING: Read and understand the safety chapter before you do maintenance on the product.

X = The instructions are given in this operator's manual.

O = Refer to the instructions in the engine manual supplied by the engine manufacturer.

Maintenance schedule

* = General maintenance done by the operator. The instructions are not given in this operator's manual.

General product maintenance	Before use, each 10 h	Weekly, each 100 h
Make sure that there are no fuel or oil leaks.	*	
Clean the product.	X	
Make sure that nuts and screws are tightened.	*	
Examine the throttle control and choke control for damage.	*	
Make sure that the throttle control and the choke control can move smoothly.	*	
Lubricate the controls and linkages.	*	
Examine the vibration damping units for damage.		X
Examine the tension of the V-belt and look for damages. Adjust or replace the V-belt as necessary.		X

Engine maintenance,	Before use, each 10 h	After the first 20 h	Weekly, each 100 h	Yearly, each 300 h
Do a check of the fuel level and the engine oil level.	X			
Clean the cooling fins of the engine.	O			
Examine the air filter. Clean the air filter if it is necessary.	X	X		
Clean the air filter.			X	
Replace the air filter.				X
Replace the engine oil.		X	X	X
Do a check of the engine speed.		O	O	O
Examine and clean the spark plug. Replace the spark plug if it is necessary.			O	
Replace the spark plug.				O
Clean the fuel valve of the carburetor.			O	O
Clean the spark arrester screen on the muffler.			O	O
Adjust the valve head clearance for the air intake and the exhaust valves.				O

Engine maintenance,	Before use, each 10 h	After the first 20 h	Weekly, each 100 h	Yearly, each 300 h
Drain the fuel and clean the fuel tank and the fuel filter.			○	○
Clean and adjust the carburetor.				○
Replace the fuel filter.				○

Engine maintenance,	Before use, each 10 h	After the first 20 h	Each 250 h	Yearly, each 500 h
Do a check of the fuel level and the engine oil level.	X			
Clean the cooling fins of the engine.	○		○	○
Clean the air filter.	X	X		
Replace the air filter.			X	X
Replace the engine oil.		X	X	X
Do a check of the engine speed.		○	○	○
Clean the spark arrester screen on the muffler.			○	○
Adjust the valve head clearance for the air intake and the exhaust valves.		○	○	○
Clean the oil filter.				○
Do a check of the fuel injection pump.			○	○
Do a check of the fuel injection nozzle.			○	○
Drain water from the fuel system.				○
Replace the fuel filter.				○

To do a general inspection

- Make sure that all nuts and screws on the product are tightened correctly.

To clean the product

- Use running water from a hose or a high-pressure washer to clean the product.



CAUTION: Do not point the water directly at the fuel tank cap, electrical components or the engine.

- Remove grease and oil from the handle.

To do a check of the engine oil level

1. Remove the oil tank cap and dipstick.
2. Clean the oil from the dipstick.
3. Put the dipstick back fully into the oil tank.
4. Remove the dipstick.
5. Examine the oil level on the dipstick.

6. If the oil level is low, fill with engine oil and do a check of the oil level again. Refer to *Technical data on page 18* or the engine manual for the correct type of oil.

To replace the engine oil

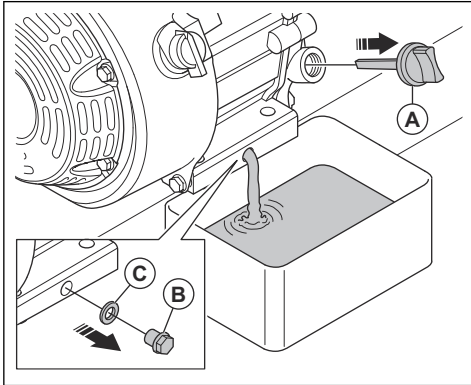
If the engine is cold, start the engine for 1–2 minutes before you drain the engine oil. This makes the engine oil warm and easier to drain.



WARNING: Engine oil is very hot directly after the engine stops. Let the engine become cool before you drain the engine oil. If you spill engine oil on your skin, clean with soap and water.

1. Put a container below the drain plug for the engine oil.

2. Remove the oil tank cap and dipstick (A), the oil drain plug (B) and the washer (C).



3. Let the oil run out into the container.
4. Install the washer and the oil drain plug. Tighten the oil drain plug.
5. Fill to the edge of the hole with new engine oil. Refer to *Technical data on page 18* or the engine manual for the correct type of oil.
6. Tighten the oil tank cap.
7. Do a check of the engine oil level.

Air filter



WARNING: Use approved respiratory protection when you clean or replace the air filter. Discard used air filters correctly. Inhalation of the dust in the air filter may be dangerous to your health.



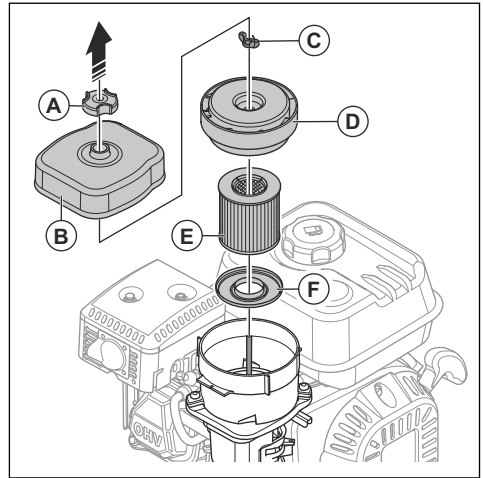
CAUTION: Always replace a damaged air filter, or the dust will go into the engine and cause engine damage.

To clean or replace the air filter



WARNING: Do not clean the air filter with compressed air. This causes damage to the air filter and the risk increases that you breathe the dangerous dust.

1. Remove the knob (A) and the air filter cover (B).

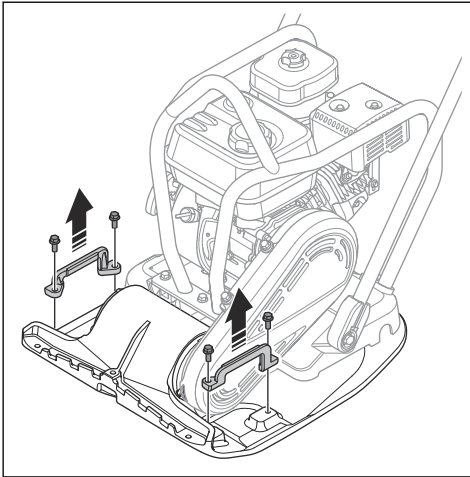


2. Remove the wing nut (C), the top cap (D), the air filter element (E) and the bottom cap (F).
3. Clean the air filter housing with a brush.
4. Examine the air filter for damage.
5. Tap the air filter against a hard surface or use a vacuum cleaner to remove the particles.
6. Clean the air filter with a solution of soap and water.
7. Flush the air filter in clean water.
8. Let the air filter dry fully.
9. Install the air filter in the opposite sequence.

To remove and install the lifting handles

1. Stop the product. Refer to *To stop the product on page 10*.

2. Remove the 4 nuts and the 2 lifting handles.



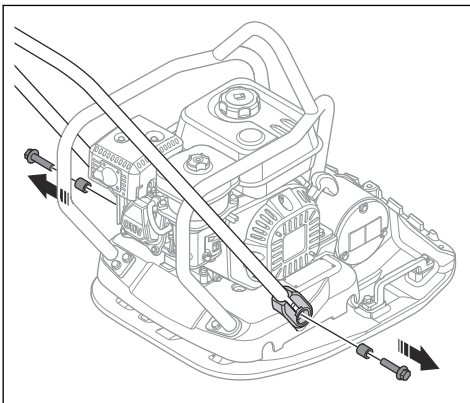
3. Install the lifting handles in the opposite sequence.

To remove and install the handle



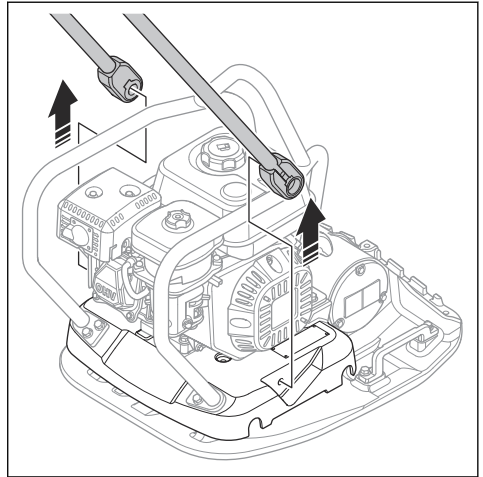
WARNING: Do not operate the product without the handle installed.

1. Stop the product. Refer to *To stop the product on page 10*.
2. Remove the 2 bolts.



3. Install the handle in the opposite sequence.

3. Remove the handle.



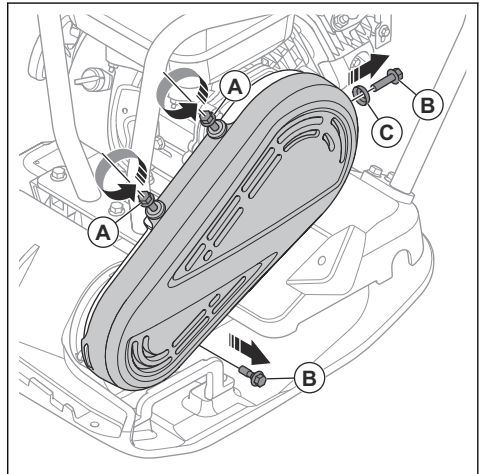
4. Install the handle in the opposite sequence.

To do a check of the V-belt



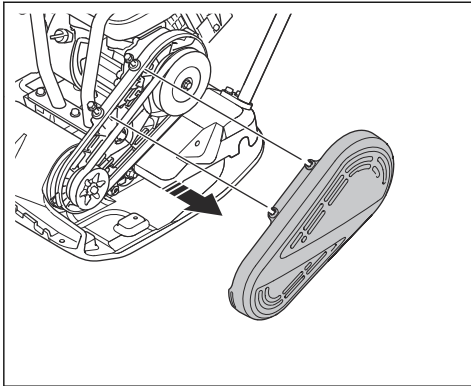
WARNING: Do not operate the product without the V-belt cover installed.

1. Stop the product. Refer to *To stop the product on page 10*.
2. Remove the lifting handles. Refer to *To remove and install the lifting handles on page 13*.
3. Remove the handle. Refer to *To remove and install the handle on page 14*.
4. Loosen the bolts (A).



5. Remove the bolts (B) and the washer (C).

6. Remove the V-belt cover.



7. Examine the V-belt for damages and wear. Replace the V-belt if it is necessary.
8. Examine the tension of the V-belt.
9. Adjust the tension in the V-belt if it is necessary. Refer to *To adjust the tension of the V-belt on page 15*.
10. Install the V-belt cover in the opposite sequence.

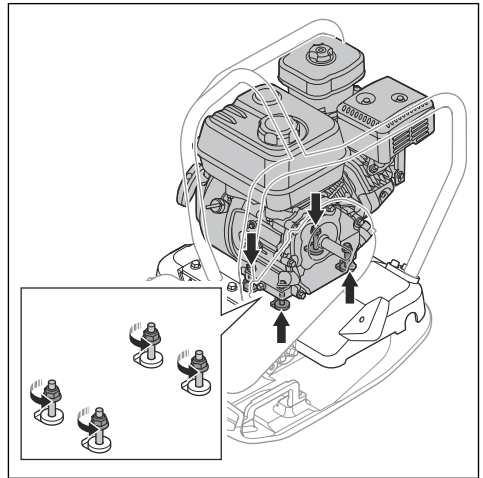
To adjust the tension of the V-belt



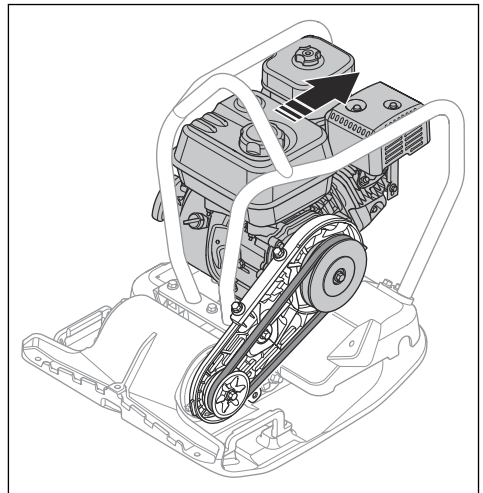
WARNING: Do not operate the product without the V-belt cover installed.

1. Stop the product. Refer to *To stop the product on page 10*.
2. Remove the lifting handles. Refer to *To remove and install the lifting handles on page 13*.
3. Remove the handle. Refer to *To remove and install the handle on page 14*.
4. Remove the V-belt cover. Refer to *To do a check of the V-belt on page 14*.

5. Loosen the 4 nuts that hold the engine to the bottom plate.



6. Move the engine rearward until the tension in the V-belt is sufficient.



7. Make sure that the V-belt pulleys align and tighten the 4 nuts.

Transportation, storage and disposal

Transportation



WARNING: Be careful during transportation. The product is heavy and can cause injury or damage if it falls or moves during transportation.

Transport wheels let you move the product manually for shorter distances. For longer distances, lift the product to move it or put the product on a vehicle.



CAUTION: Do not tow the product behind a vehicle.

To lift the product



WARNING: Make sure that the lifting equipment has the correct specification to lift the product safely. The type plate on the product shows the product weight.

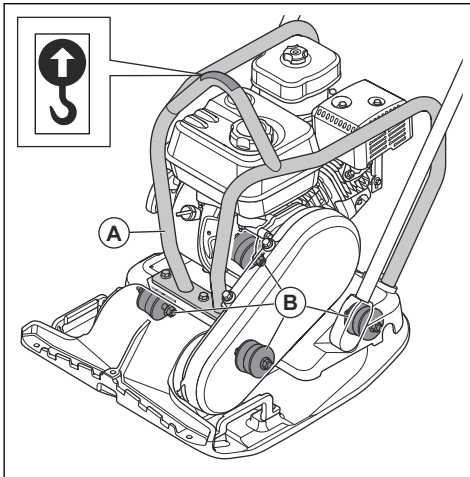


WARNING: Do not walk or stay below or near a lifted product.



CAUTION: Do not use metal hooks, chains or other lifting equipment with rough edges that can cause damage to the safety frame.

1. Attach the lifting equipment at the lifting point of the safety frame. A label on the product identifies the correct position.

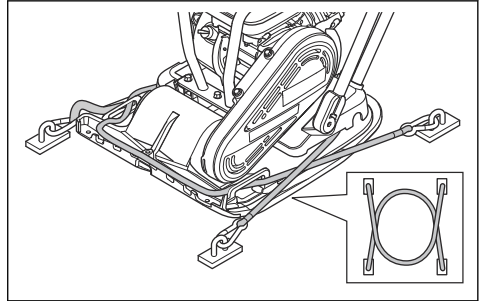


WARNING: Do not lift a damaged product. Make sure that the safety frame (A) and the vibration damping units (B) are correctly installed and not damaged.

2. Lift the product.

To safety the product to a transportation vehicle with tie-down straps

- Put 2 straps around the bottom plate.



- a) Put 1 strap around the front of the bottom plate and attach the strap to the vehicle.
- b) Put 1 strap around the rear of the bottom plate and attach the strap to the vehicle.

Storage

- Remove all fuel from the fuel tank before you put the product in storage for a long period of time. Discard the fuel at an applicable disposal location.
- Clean the product before storage. Remove oil and dust from the rubber parts.
- Clean the air filter before storage.
- Carefully pull the starter rope handle until there is a small resistance. This closes the valves and makes sure that moisture cannot go into the engine cylinder.
- Put a protective cover on the product.
- Keep the product in a dry and frost free area.
- Keep the product in a locked area to prevent access for children or persons that are not approved.

Disposal

- Obey the local recycling requirements and applicable regulations.
- Discard all chemicals, such as engine oil or fuel, at a service center or at an applicable disposal location.
- When the product is no longer in use, send it to a Husqvarna dealer or discard it at a recycling location.

Accessories

Transport wheel kit, part number	594 20 49-01
Water Tank, part number	596 39 29-02
Forklifting device, part number	595 50 31-01
Low Vibration Handle, part number	594 20 50-01

Block paving kit, part number	594 86 81-01	594 86 82-01
-------------------------------	--------------	--------------

Technical data

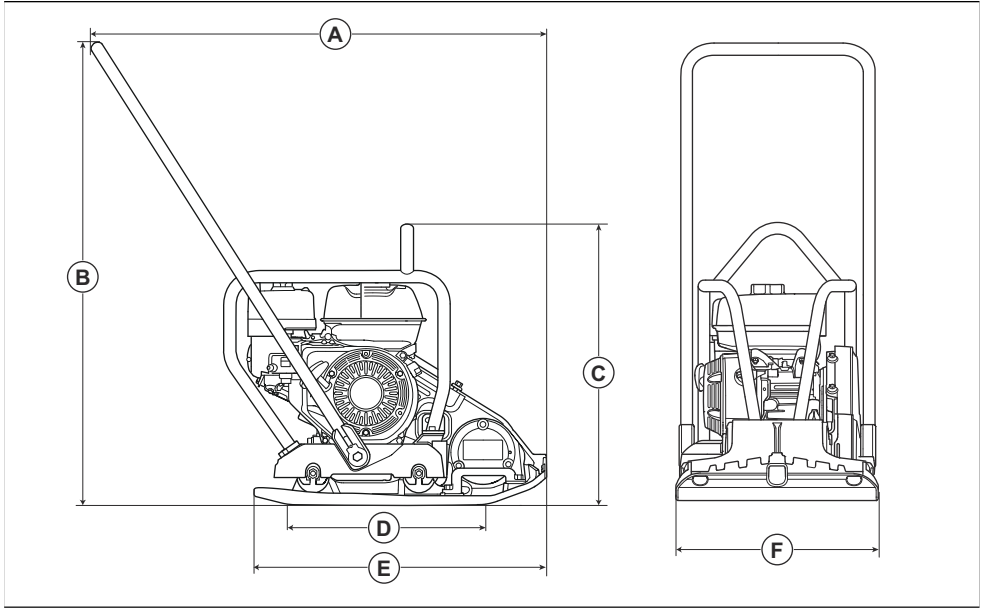
Technical data

Net weight, kg/lb	80.5/177.5
Operation weight (ISO 20500, incl. oil, ½ fuel), kg/lb	81.9/180.6
Vibration frequency, Hz	95
Amplitude, mm/in.	0.93/0.04
Centrifugal force, kN/lbf	14.6/3282
Operation speed, m/min or ft./min	25 or 82
Max. tilt, degrees/%	20/36
Fuel consumption, l/h or qts/h	1.21 or 1.28
Water tank for asphalt, l/gal (optional)	13/3.4
Engine ¹	
Engine brand, type	Husqvarna G200F HH 196MP
Engine power, kW/hp @rpm ²	4.1/5.5 @3600
Fuel tank capacity, l/qts	3.6/3.8
Engine oil capacity, l/qts	0.6/0.64
Fuel	Unleaded gasoline, max. 10% ethanol
Engine oil	SAE 10W-30, API Class SE or SF, for general use

¹ For further information and questions about this specific engine, refer to the engine manual or the web site of the engine manufacturer.

² As specified by the engine manufacturer. The power rating of the engine indicated is the average net output (at specified rpm) of a typical production engine for the engine model measured to SAE standard J1349/ISO1585. Mass production engines may differ from this value. Actual power output for the engine installed on the final product will depend on the operating speed, environmental conditions and other values.

Product dimensions



A	Length including handle, mm/in.	961	D	Bottom plate contact area, m ² /sq. ft.	360
B	Handle height, mm/in.	923	E	Length bottom plate, mm/in.	570
C	Height at lifting point on the safety frame, mm/in.	597	F	Width, mm/in.	500



www.husqvarnaconstruction.com

Original instructions



1147177-26



2026-03-30