



# Husqvarna®



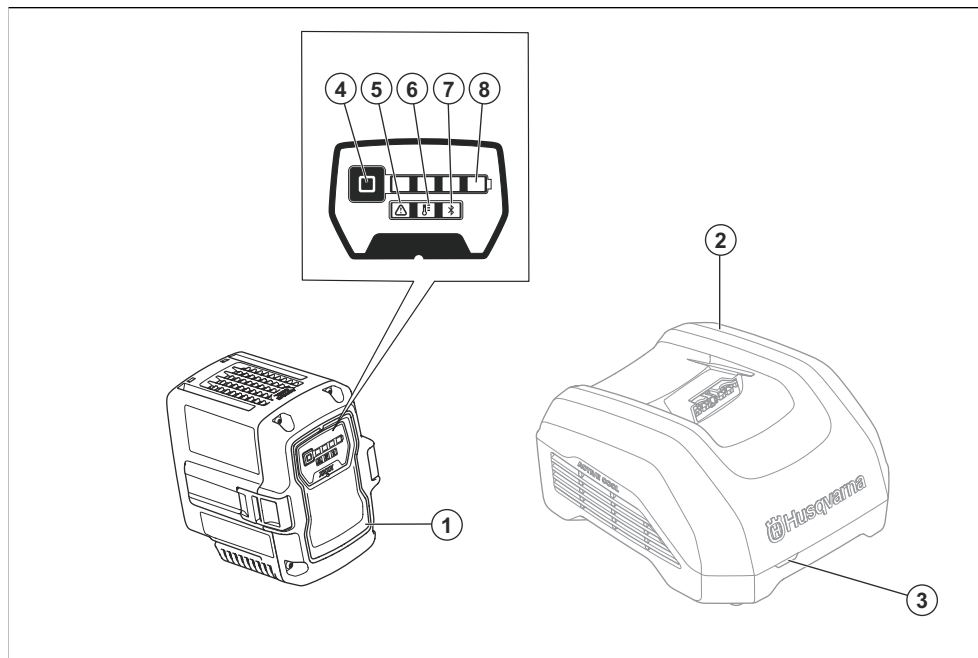
## 40-B140X, 40-B220X, 40-B330X, 40-B360X, 40-B540X

EN	Operator's manual	2-8
BG	Ръководство за експлоатация	9-16
CS	Návod k použití	17-23
DA	Brugsanvisning	24-30
DE	Bedienungsanweisung	31-38
EL	Οδηγίες χρήσης	39-45
ES	Manual de usuario	46-52
ET	Kasutusjuhend	53-59
FI	Käyttöohje	60-66
FR	Manuel d'utilisation	67-74
HR	Priručnik za korištenje	75-81
HU	Használati utasítás	82-88
IT	Manuale dell'operatore	89-95
JA	取扱説明書	96-102
KO	사용자 설명서	103-109
LT	Operatoriaus vadovas	110-116
LV	Lietošanas pamācība	117-123
MS	Panduan Pengguna	124-130
NL	Gebruiksaanwijzing	131-137
NO	Bruksanvisning	138-144
PL	Instrukcja obsługi	145-152
PT	Manual do utilizador	153-159
RO	Instrucțiuni de utilizare	160-166
RU	Руководство по эксплуатации	167-174
SK	Návod na obsluhu	175-181
SL	Navodila za uporabo	182-188
SV	Bruksanvisning	189-195
TR	Kullanım kılavuzu	196-202
UK	Посібник користувача	203-210
VI	Sách hướng dẫn sử dụng	211-217
ZH	操作手册	218-224



# Introduction

## Product overview



1. Battery
2. Battery charger (accessory)
3. Charging and error indicator
4. State of charge button
5. Error indicator
6. Battery temperature indicator
7. Bluetooth® indicator (if applicable)
8. State of charge indicator

## Symbols on the product



Be careful and use the product correctly. This product can cause serious injury or death to the operator or others.



Carefully read the operator's manual for the battery, the approved charger, and the cordless product that uses this battery. You can find the manuals at [www.husqvarna.com/support](http://www.husqvarna.com/support). Search for the model name. Make sure you understand all instructions before you use the product.



Hazardous voltage.



OK to use in rain.



Protected against splashing water.



The product agrees with the applicable EC directives and regulations.



Recycle the product at an applicable disposal location for electrical and electronic equipment.



The product or package of the product is not domestic waste.



Do not submerge the battery in water.



If the product features *Bluetooth*<sup>®</sup> wireless technology. The *Bluetooth*<sup>®</sup> symbol will be marked on the product name label. Refer to *Bluetooth*<sup>®</sup> wireless technology on page 4.

**Note:** Other symbols/decals on the product refer to certification requirements for some commercial areas.

## Product description

Husqvarna 40-B140X, 40-B220X, 40-B330X, 40-B360X, 40-B540X is a portable, rechargeable Li-ion 36 V battery for Husqvarna battery-powered tools.

As part of our continuous product development process, Husqvarna reserves the right to modify the design and/or appearance of the products without prior notice.

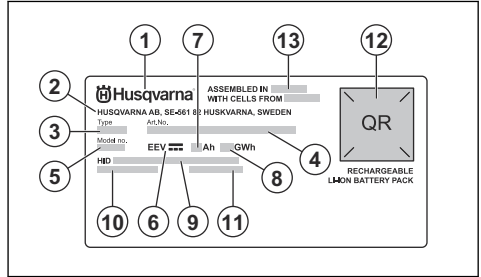
## Intended use

These batteries are for Husqvarna battery-powered tools. Read the power tool manual to make sure the battery is approved for the power tool.

**Note:** National or local regulations can regulate the use. Comply with applicable regulations. These batteries

are for use with approved battery chargers. Refer to *Approved battery chargers on page 7.*

## Type plate



1. Brand
2. Manufacturer address
3. Type
4. Article number
5. Model number
6. Voltage
7. Ampere-hours
8. Watt-hours
9. Husqvarna identity (HID)
10. Battery cell type
11. Serial number with manufacturing date
12. Scannable code
13. Country of assembly

## Safety

### Safety definitions

Warnings, cautions, and notes are used to point out particularly important parts of the manual.



**WARNING:** Used if there is a risk of injury or death for the operator or bystanders if the instructions in the manual are not obeyed.



**CAUTION:** Used if there is a risk of damage to the product, other materials or the adjacent area if the instructions in the manual are not obeyed.

**Note:** Used to give more information that is necessary in a given situation.

### Important safety instructions



**WARNING:** Read all safety warnings and all instructions. Failure to obey the warnings and instructions may result in electrical shock, fire and/or serious injury.

**Note:** Save all warnings and instructions.

- Only use Husqvarna approved battery chargers to charge Husqvarna original batteries. The batteries are software encrypted.
- Use Husqvarna approved batteries that are rechargeable as a power supply for the related Husqvarna products only. To prevent injury, do not use the battery as a power supply for other devices.
- Do not try to disassemble or repair the battery. All repairs is to be done by an approved dealer only.

- Keep the battery away from sunlight, heat or open flame. The battery can cause burns and/or chemical burns.
- Do not use a damaged battery or battery charger.
- Do not cause mechanical shock to the battery.
- Keep the battery away from children.
- Keep the battery clean and dry.
- Clean the battery terminals with a clean dry cloth if they become dirty.
- Do not keep the battery in the battery charger when it is fully charged.
- Remove the battery from the product when you do not use it and during transportation.
- Keep batteries in storage away from metal objects such as nails, screws or jewelry.

---

## Operation

---

### Operation

- Operate and store the battery only in the recommended temperature range. Refer to *Recommended temperature range on page 6*.
- Push the state of charge button to start the battery before use.
- The battery must be charged before you use it for the first time. Always use a Husqvarna approved battery charger. Refer to *Approved battery chargers on page 7*.
- Decrease the workload and/or speed when the battery temperature indicator is flashing.
- Push the state of charge button to get information of the state of charge of the battery.

### Husqvarna Connect

Husqvarna Connect is a free app for your mobile device. The Husqvarna Connect app gives extended functions for your Husqvarna product.

- Extended product information.
- Information about, and help with, product parts and servicing.

For more information about Husqvarna Connect, refer to [www.husqvarna.com](http://www.husqvarna.com).

**Note:** Husqvarna Connect app is not available for download in all markets. Speak to your servicing dealer for more information.

---

### To start to use Husqvarna Connect

1. Download the Husqvarna Connect app on your mobile device.
2. Register in the Husqvarna Connect app.
3. Follow the instruction steps in the Husqvarna Connect app to add the product.

**Note:** Husqvarna Connect app is not available for download in all markets. Speak to your servicing dealer for more information.

---

### Husqvarna Fleet Services™

Husqvarna Fleet Services™ is a cloud solution that gives the commercial fleet manager an overview of all products. Husqvarna Fleet Services™ is available as a web service and as an app. For more information about Husqvarna Fleet Services™, refer to [www.husqvarna.com](http://www.husqvarna.com).

**Note:** Husqvarna Fleet Services™ cloud solution is not available in all markets.

---

### To connect to the product with Husqvarna Fleet Services™

1. Download the Husqvarna Fleet Services™ app to your mobile device.
2. Log on to the Husqvarna Fleet Services™ app.
3. Follow the instructions about how to pair the product with Husqvarna Fleet Services™.

### Bluetooth® wireless technology

Products with built-in Bluetooth® wireless technology can connect to a mobile device.

The symbol for *Bluetooth®* wireless technology comes on when your mobile device is connected to the product.



**Note:** This device has been evaluated to comply with applicable Radio Frequency (RF) exposure requirements. The device can be used in portable exposure conditions without restriction.

---

### Update firmware over the air (for batteries with built-in Bluetooth®)

Batteries with Bluetooth® download and install new firmware automatically.

- The download starts when new firmware is available and the battery is connected to Husqvarna Connect or Husqvarna Fleet Services™.

- The Bluetooth® indicator shows when the battery is connected while the battery display is active.
- Firmware download takes 10-15 minutes. If the download stops or fails, the battery will try to download the firmware again.
- Firmware installation starts when the download is complete and the battery is not in use or charging.
- The state of charge indicators pulse during the firmware installation. Firmware installation takes 10-15 seconds.

### To charge the battery

Charge the battery before the first time of operation. A new battery is charged 30%. Push the state of charge button to get information of the state of charge of the battery. Operate and store the battery only in the recommended temperature range. Refer to *Recommended temperature range on page 6*.

1. Put the battery in the battery charger. When the charging indicator on the battery charger comes on, the battery is connected correctly to the battery charger.
2. The battery is fully charged when all the state of charge indicators on the battery are on.

3. Remove the battery from the battery charger.

### Battery charging status

A Husqvarna Li-ion battery can be charged or used at all charging levels.

State of charge indicators	Battery status (state of charge)
4 indicators are on	The battery is 76% – 100% charged.
3 indicators are on	The battery is 51% – 75% charged.
2 indicators are on	The battery is 26% – 50% charged.
1 indicator is on	The battery is 11% – 25% charged.
1 indicator flashes	The battery is 0% – 10% charged.

---

## Troubleshooting

---

### Troubleshooting

Symptoms	Cause	Action
One state of charge indicator flashes. For products with some firmware versions, the battery error indicator also flashes.	The battery is empty.	Charge the battery.
The battery error indicator flashes.	Heavy workload in combination with very low battery temperature.	Make the battery warm. For example, move it indoors or operate at low speed until the battery is warm.
	The battery does not operate. The operating range of the battery is at its limit.	Remove the battery from the product. Wait 5 minutes. Push the state of charge button.
The battery temperature indicator is ON.	The battery is too cold or too hot to use.	Keep the battery in an ambient temperature between -10°C (14°F) and 40°C (104°F). When the battery has the correct temperature, it can be used again.
The battery temperature indicator flashes.	The battery is near its temperature limits.	Decrease the speed and/or workload. Keep the battery in the preferred temperature between +10°C (50°F) and +30°C (86°F) for optimal performance.

Symptoms	Cause	Action
The battery temperature indicator is ON while the battery is in the charger.	Temperature deviation, the battery is too cold or too hot to charge.	Let the battery cool down or move it indoors to warm it up. When the battery has the correct temperature, it can be charged again. Make sure to use the charger where the ambient temperature is between 5°C (41°F) and 40°C (104°F). Keep the charger away from sunlight. If the problem continues, speak to your dealer.
The battery error indicator comes ON.	The battery has a critical error.	Speak to your Husqvarna servicing dealer.

## Transportation, storage and disposal

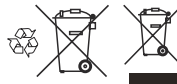
### Transport and storage

- The supplied Li-ion batteries obey the Dangerous Goods Legislation requirements.
- Obey the special requirement on package and labels for commercial transportation, also those from third parties and forwarding agents.
- Speak to a person with special training in dangerous material before you send the product. Obey all applicable national regulations.
- Use tape on the contacts when you put the battery in a package. Put the battery in the package tightly to prevent damage and accidents.
- Do not keep the battery in an area where static electricity can occur. Do not keep the battery in a metal box.
- Put the battery in a dry, frost free and clean space with correct temperature.
- Operate and store the battery only in the recommended temperature range. Refer to *Recommended temperature range on page 6*.
- Charge the battery 30% to 50% before you put it in storage for long periods.

- Clean the battery before you put it in storage.

### Disposal

The symbol means that the product is not domestic waste. Recycle it through your local collection system for electrical and electronic equipment. This contributes to proper end of life waste management. Contact local authorities, domestic waste services, your dealer or retailer for information. Incorrect disposal may have potential negative effects on the environment and human health, due to the potential presence of hazardous substances.



**Note:** The symbol shows on the product or package of the product.

## Technical data

### Registered trademarks

The *Bluetooth®* word mark and logos are registered trademarks owned by *Bluetooth SIG, inc.* and any use of such marks by Husqvarna is under license.

### Technical data

Frequency bands, MHz	2400 – 2483.5
Max transmitted power, dBm	4

For other technical data, refer to the rating plate on the battery.

### Recommended temperature range



**CAUTION:** Heavy workload when the battery temperature is less than 0°C (32°F) can cause a temporary battery error.



**CAUTION:** Operate and store the battery only in the recommended temperature range. If the temperature is not

in this range, the battery will not operate correctly.



**CAUTION:** The battery does not charge if its temperature is not in the recommended temperature range.

Usage temperature	Charging temperature	Storage temperature
-10–40 °C / 14–104 °F	5–40 °C / 41–104 °F	5–25 °C / 41–77 °F

## Approved battery chargers

Table 1: Approved battery chargers for 40-B140X, 40-B220X, 40-B330X

Battery charger	QC330	QC500	40-C500X	40-C750X	40-C1000X4
Output voltage, V	36	36	36	36	36
Input voltage, V	100–240	100–240	100–240	100–240	100–240
Frequency, Hz	50–60	50–60	50–60	50–60	50–60
Power, W	330	500	500	750	1000 <sup>1</sup>

Table 2: Approved battery chargers for 40-B360X, 40-B540X

Battery charger	40-C500X	40-C750X
Output voltage, V	36	36
Input voltage, V	100–240	100–240
Frequency, Hz	50–60	50–60
Power, W	500	750

## Declaration of Conformity

### Declaration of Conformity

We, Husqvarna AB, SE-561 82 Huskvarna, SWEDEN, Tel: +46 36 146500 declare on our sole responsibility that the product:

Description	Li-Ion Rechargeable Battery
Brand	Husqvarna®
Type/Model	40-B140X, 40-B220X, 40-B330X, 40-B360X, 40-B540X
Identification	Serial numbers dating from 2026 and onwards

<sup>1</sup>

The maximum power when charging only one battery is 600 W.

is in conformity with the following EU directives and regulations as amended:

Directive/Regulation	Description
2014/30/EU	"relating to electromagnetic compatibility"
2014/53/EU <sup>2</sup>	"relating to radio equipment"
(EU) 2023/1542	"relating to batteries and waste batteries"

and that the following standards and/or technical specifications are applied;

EN IEC 62133-2:2017+A1:2021

EN IEC 62133-2:2017<sup>3</sup>

IEC 63370:2022

EN 61000-6-1:2007/EN IEC 61000-6-1:2019,  
EN 61000-6-3:2007+A1:2011+AC:2012, EN IEC  
61000-6-3:2021<sup>4</sup>

ETSI EN 301 489-1 v.1.9.2, ETSI EN 301 489-17  
v.3.2.4, ETSI 300 328 v.2.2.2<sup>5</sup>

EN IEC 63000:2018

Other testing as it relates to transportation of dangerous goods;

UN 38.3 Edition 7

Huskvarna, 2026-04-10



Lars Roos

R&D Director, Battery Competence Center

Huskvarna AB, SWEDEN

Responsible for technical documentation



<sup>2</sup> Applicable for versions that include Bluetooth® communication.

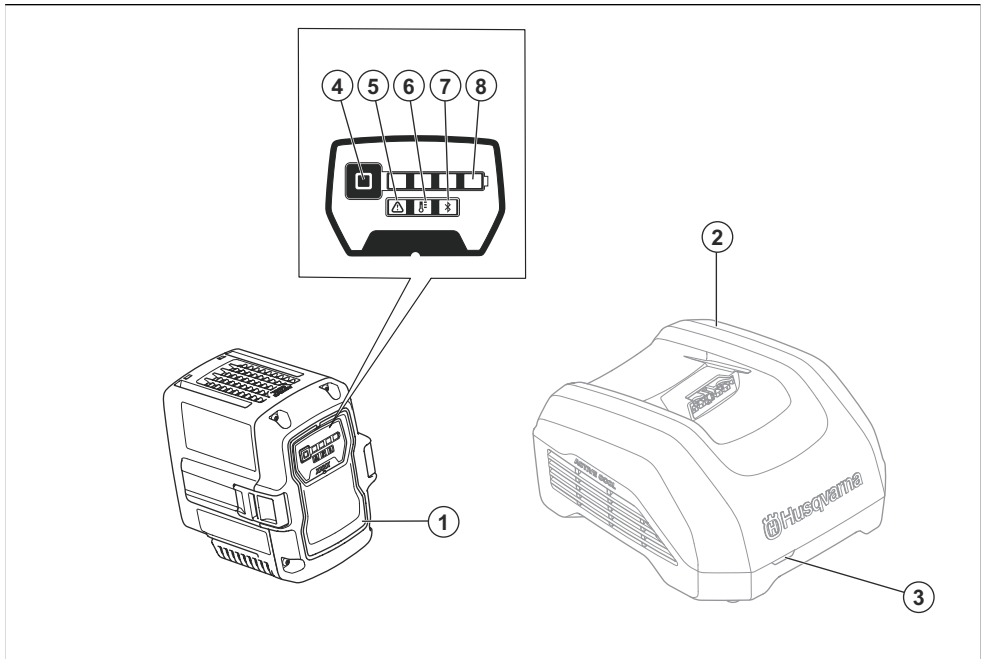
<sup>3</sup> Applicable for 40-B220X only.

<sup>4</sup> EMC testing also performed on various products using the battery.

<sup>5</sup> Applicable for versions that include Bluetooth® communication.

# Въведение

## Общ преглед на продукта



1. Акумулаторна батерия
2. Зарядно устройство за акумулаторни батерии (принадлежност)
3. Индикатор за зареждане и грешка
4. Бутон за състоянието на зареждане
5. Индикатор за грешка
6. Индикатор за температурата на акумулаторната батерия
7. Индикатор за Bluetooth® (ако е приложимо)
8. Индикатор за състояние на зареждане

на адрес [www.husqvarna.com/support](http://www.husqvarna.com/support). Потърсете името на модела. Уверете се, че разбирате всички инструкции, преди да използвате продукта.

## Символи върху продукта



Внимавайте и използвайте продукта правилно. Този продукт може да причини сериозно нараняване или смърт на оператора и други хора.



Внимателно прочетете ръководството за оператора за акумулаторната батерия, одобреното зарядно устройство и безжичния продукт, който използва тази акумулаторна батерия. Можете да намерите ръководствата



Опасно напрежение.



Подходящ за използване при дъжд.



Със защита срещу водни пръски.



Продуктът отговаря на изискванията на приложимите директиви и регламенти на ЕО.



Рециклирайте продукта в подходящ пункт за изхвърляне за електрическо и електронно оборудване.



Продуктът или опаковката на продукта не е битов отпадък.



Не потапяйте акумулаторната батерия във вода.



Ако продуктът разполага с безжична технология *Bluetooth®*. Символът *Bluetooth®* ще бъде маркиран върху етикета с име на продукта. Направете справка с *Безжична технология Bluetooth®* на страница 12.

**Забележка:** Останалите символи/стикери на продукта се отнасят до изисквания по отношение на сертификати за някои търговски площи.

## Описание на продукта

Husqvarna 40-B140X, 40-B220X, 40-B330X, 40-B360X, 40-B540X е преносима, акумулаторна литиевойонна батерия 36 V за инструменти Husqvarna с акумулаторно захранване.

Като част от нашия непрекъснат процес на разработване на продукти, Husqvarna си запазва правото да променя конструкцията и/или външния вид на продуктите без предварително известие.

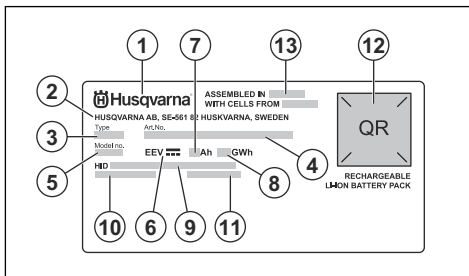
## Предназначение

Тези акумулаторни батерии са за инструменти Husqvarna с акумулаторно захранване. Прочетете ръководството на електрическия инструмент, за да

се уверите, че акумулаторната батерия е одобрена за електрическия инструмент.

**Забележка:** Възможно е използването на продукта да се регулира от националните или местните разпоредби. Спазвайте приложимите нормативни разпоредби. Тези акумулаторни батерии са предназначени за употреба с одобрени зарядни устройства за акумулаторни батерии. Направете справка с *Одобрени зарядни устройства за акумулаторни батерии на страница 15*.

## Табелка с данни



1. Марка
2. Адрес на производител
3. Тип
4. Номер на артикул
5. Номер на модела
6. Напрежение
7. Ампер-часа
8. Ват-часа
9. Идентичност на Husqvarna (HID)
10. Тип на клетките на акумулаторната батерия
11. Сериен номер с дата на производство
12. Код с възможност за сканиране
13. Държава на монтаж

## Безопасност

### Дефиниции за безопасност

Предупреждения, знаци за внимание и забележки се използват за указване на особено важни части на ръководството.



**ПРЕДУПРЕЖДЕНИЕ:** Използва се, ако има риск от нараняване или смърт за оператора или за околните, ако не се спазват инструкциите в ръководството.



**ВНИМАНИЕ:** Използва се, ако има риск от повреда на продукта, други

материали или съседната площ, ако не се спазват инструкциите в ръководството.

**Забележка:** Използва се за предоставяне на повече информация, която е необходима в дадена ситуация.

### Важни инструкции за безопасност



**ПРЕДУПРЕЖДЕНИЕ:** Прочетете внимателно всички предупреждения за безопасността и инструкции. Неспазването на предупрежденията и

инструкциите може да доведе до електрически удар, пожар и/или сериозно нараняване.

---

**Забележка:** Запазете всички предупреждения и инструкции.

---

- Използвайте само одобрени зарядни устройства за акумулаторни батерии Husqvarna за зареждане на оригинални акумулаторни батерии Husqvarna. Акумулаторните батерии са шифровани софтуерно.
- Използвайте акумулаторни батерии, одобрени от Husqvarna, които са презареждаеми, като източник на хранване само за свързаните продукти Husqvarna. За да предотвратите нараняване, не използвайте акумулаторната батерия като източник на хранване за други устройства.
- Не се опитвайте да разглобявате или поправяте акумулаторната батерия. Всички поправки трябва да се извършват само от одобрен дилър.
- Съхранявайте акумулаторната батерия далеч от слънчева светлина, топлина или открит

огън. Акумулаторната батерия може да причини изгаряния и/или химически изгаряния.

- Не използвайте повредени акумулаторни батерии или зарядно устройство за акумулаторни батерии.
- Не излагайте акумулаторната батерия на механичен удар.
- Дръжте акумулаторната батерия далеч от деца.
- Поддържайте акумулаторната батерия чиста и суха.
- Почиствайте клемите на акумулаторната батерия с чиста и суха кърпа, ако се замърсят.
- Не дръжте акумулаторната батерия в зарядното устройство за батерии, когато е напълно заредена.
- Изваждайте акумулаторната батерия от продукта, когато не го използвате и по време на транспортиране.
- Съхранявайте акумулаторната батерия далеч от метални предмети, като гвоздеи, винтове или бижута.

---

## Експлоатация

---

### Експлоатация

- Работете с акумулаторната батерия и я съхранявайте само в препоръчителния температурен диапазон. Направете справка с *Препоръчителен температурен диапазон на страница 14*.
- Натиснете бутона за състоянието на зареждане, за да стартирате акумулаторната батерия преди употреба.
- Акумулаторната батерия трябва да бъде заредена, преди да я използвате за първи път. Винаги използвайте зарядно устройство за акумулаторни батерии, одобрено от Husqvarna. Направете справка с *Одобрени зарядни устройства за акумулаторни батерии на страница 15*.
- Намалете натоварването и/или скоростта, когато индикаторът за температура на акумулаторната батерия мига.
- Натиснете бутона за състоянието на зареждане, за да получите информация за състоянието на зареждане на акумулаторната батерия.

### Husqvarna Connect

Husqvarna Connect е безплатно приложение за Вашето мобилно устройство. Приложението Husqvarna Connect осигурява разширени функции за Вашия продукт на Husqvarna.

- Разширена продуктова информация.

- Информация и помощ за частите на продукта и сервисното обслужване.

За повече информация относно Husqvarna Connect направете справка с [www.husqvarna.com](http://www.husqvarna.com).

---

**Забележка:** Приложението Husqvarna Connect не е налично за изтегляне на всички пазари. Говорете с Вашия сервисен дилър за повече информация.

---

### За да започнете да използвате Husqvarna Connect

1. Изтеглете приложението Husqvarna Connect на Вашето мобилно устройство.
2. Регистрирайте се в приложението Husqvarna Connect.
3. Следвайте стъпките с инструкции в приложението Husqvarna Connect, за да добавите продукта.

---

**Забележка:** Приложението Husqvarna Connect не е налично за изтегляне на всички пазари. Говорете с Вашия сервисен дилър за повече информация.

---

### Husqvarna Fleet Services™

Husqvarna Fleet Services™ е решение в облачна среда, което осигурява преглед на мениджъра на технологичния парк върху всички продукти. Husqvarna Fleet Services™ се предлага като

уебслужба и като приложение. За повече информация относно Husqvarna Fleet Services™ направете справка с [www.husqvarna.com](http://www.husqvarna.com).

**Забележка:** Решението в облака на Husqvarna Fleet Services™ не е налично на всички пазари.

### За да се свържете с продукта чрез Husqvarna Fleet Services™

1. Изтеглете приложението Husqvarna Fleet Services™ на Вашето мобилно устройство.
2. Влезте в приложението Husqvarna Fleet Services™.
3. Следвайте инструкциите как да сдвоите продукта с Husqvarna Fleet Services™.

### Безжична технология Bluetooth®

Продуктите с вградена безжична технология Bluetooth® могат да се свързват с мобилно устройство.

Символът за безжична технология Bluetooth® се появява, когато Вашето мобилно устройство е свързано към продукта.



**Забележка:** Това устройство е оценено за съответствие с приложимите изисквания за излагане на радиочестоти (RF). Устройството може да се използва в условия на преносима експозиция без ограничения.

### Безжично актуализиране на фърмуера (за акумулаторни батерии с вграден Bluetooth®)

Акумулаторните батерии с Bluetooth® изтеглят и инсталират новия фърмуер автоматично.

- Изтеглянето стартира, когато е наличен нов фърмуер и акумулаторната батерия е свързана към Husqvarna Connect или Husqvarna Fleet Services™.
- Индикаторът за Bluetooth® показва кога акумулаторната батерия е свързана, докато дисплеят на акумулаторната батерия е активен.
- Изтеглянето на фърмуера отнема 10 – 15 минути. Ако изтеглянето спре или не е успешно, акумулаторната батерия ще се опита да изтегли фърмуера отново.
- Инсталирането на фърмуера стартира, когато изтеглянето приключи и акумулаторната батерия не се използва или зарежда.

- Импулсът на индикаторите за състоянието на зареждане по време на инсталирането на фърмуера. Инсталирането на фърмуера отнема 10 – 15 секунди.

### За зареждане на акумулаторната батерия

Преди първата работна операция заредете акумулаторната батерия. Новата акумулаторна батерия е заредена на 30%. Натиснете бутона за състоянието на зареждане, за да получите информация за състоянието на зареждане на акумулаторната батерия. Работете с акумулаторната батерия и я съхранявайте само в препоръчителния температурен диапазон. Направете справка с *Препоръчителен температурен диапазон на страница 14.*

1. Поставете акумулаторната батерия в зарядното устройство. Когато индикаторът за зареждане на зарядното устройство за акумулаторни батерии светне, акумулаторната батерия е свързана правилно към зарядното устройство за акумулаторни батерии.
2. Акумулаторната батерия е напълно заредена, когато всички индикатори за състоянието на заряд на акумулаторната батерия светят.
3. Отстранете акумулаторната батерия от зарядното устройство.

### Състояние на зареждане на акумулаторната батерия

Литиевойонната акумулаторна батерия Husqvarna може да се зарежда или използва във всички нива на заряда.

Индикатори за състояние на зареждане	Състояние на акумулаторната батерия (състояние на зареждане)
4 индикатора светят	Акумулаторната батерия е заредена на 76% – 100%.
3 индикатора светят	Акумулаторната батерия е заредена на 51% – 75%.
2 индикатора светят	Акумулаторната батерия е заредена на 26% – 50%.
1 индикатор свети	Акумулаторната батерия е заредена на 11% – 25%.
1 индикатор мига	Акумулаторната батерия е заредена на 0% – 10%.

## Отстраняване на неизправности

### Отстраняване на неизправности

Симптоми	Причина	Действие
Един индикатор за състоянието на зареждане мига. За продукти с някои версии на фърмуера индикаторът за грешка на акумулаторната батерия също мига.	Акумулаторната батерия е изтощена.	Заредете акумулаторната батерия.
Индикаторът за грешка на акумулаторната батерия мига.	Голямо натоварване в комбинация с много ниска температура на акумулаторната батерия.	Загрейте акумулаторната батерия. Например преместете я на закрито или работете на ниска скорост, докато акумулаторната батерия се загрее.
	Акумулаторната батерия не работи. Работният обхват на акумулаторната батерия е на границата си.	Отстранете акумулаторната батерия от продукта. Изчакайте 5 минути. Натиснете бутон за състоянието на зареждане.
Индикаторът за температура на акумулаторната батерия свети.	Акумулаторната батерия е прекалено студена или прекалено гореща за използване.	Дръжте акумулаторната батерия при температура на околната среда между $-10^{\circ}\text{C}$ ( $14^{\circ}\text{F}$ ) и $40^{\circ}\text{C}$ ( $104^{\circ}\text{F}$ ). Когато акумулаторната батерия е с правилната температура, тя може да се използва отново.
Индикаторът за температура на акумулаторната батерия мига.	Акумулаторната батерия е близо до температурните си граници.	Намалете скоростта и/или натоварването. Дръжте акумулаторната батерия в рамките на предпочитания температурен диапазон между $+10^{\circ}\text{C}$ ( $50^{\circ}\text{F}$ ) и $+30^{\circ}\text{C}$ ( $86^{\circ}\text{F}$ ) за постигане на оптимална ефективност.
Индикаторът за температура на акумулаторната батерия свети, докато акумулаторната батерия е в зарядното устройство.	Отклонение на температурата, акумулаторната батерия е прекалено студена или прекалено гореща за зареждане.	Оставете акумулаторната батерия да се охлади или я преместете на закрито, за да я загреете. Когато акумулаторната батерия е с правилната температура, тя може да се зареди отново. Уверете се, че използвате зарядното устройство, когато температурата на околната среда е между $5^{\circ}\text{C}$ ( $41^{\circ}\text{F}$ ) и $40^{\circ}\text{C}$ ( $104^{\circ}\text{F}$ ). Дръжте зарядното устройство далеч от слънчева светлина. Ако проблемът продължава, се обърнете към Вашия дилър.
Индикаторът за грешка на акумулаторната батерията светва.	Акумулаторната батерия има критична грешка.	Обърнете се към Вашия сервизен дилър на Husqvarna.

# Транспортиране, съхранение и изхвърляне

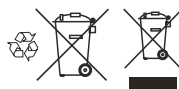
## Транспортиране и съхранение

- Доставените литиевойонни акумулаторни батерии отговарят на изискванията на законодателството за опасни продукти.
- Специалното изискване на опаковката и етикетите за търговско транспортиране трябва да се спазва, включително тези от трети страни и спедитори.
- Обърнете се към човек, преминал специално обучение за работа с опасни материали, преди да изпратите продукта. Спазвайте всички приложими национални регламенти.
- Когато поставяте акумулаторната батерия в опаковка, поставете тиксо върху клемите. Поставяйте акумулаторната батерия плътно в опаковката, за да предотвратите повреда и злополуки.
- Не съхранявайте акумулаторната батерия на места, където може да се натрупа статично електричество. Не съхранявайте акумулаторната батерия в метална кутия.
- Поставете акумулаторната батерия на сухо и чисто място без скреж и с подходяща температура.
- Работете с акумулаторната батерия и я съхранявайте само в препоръчителния температурен диапазон. Направете справка с *Препоръчителен температурен диапазон на страница 14.*

- Заредете акумулаторната батерия между 30% и 50%, преди да я оставите за съхранение за продължително време.
- Почистете акумулаторната батерия, преди да я оставите за съхранение.

## Изхвърляне

Символът означава, че продуктът не е битов отпадък. Рециклирайте го чрез местната система за събиране на електрическо и електронно оборудване. Това допринася за правилното управление на отпадъците в края на жизнения цикъл. Свържете се с местните власти, местните служби за отпадъци, Вашия дилър или търговец на дребно за информация. Неправилното изхвърляне може да окаже потенциално отрицателно влияние върху околната среда и човешкото здраве поради потенциалното наличие на опасни вещества.



**Забележка:** Символът се намира на продукта или на опаковката на продукта.

## Технически характеристики

### Регистрирани търговски марки

Словесният знак и логата на *Bluetooth®* са регистрирани търговски марки, собственост на *Bluetooth SIG, inc.*, и всяко използване на тези марки от Husqvarna е лицензирано.

### Технически характеристики

Честотни ленти, MHz	2400 – 2483,5
Макс. мощност на предаване, dBm	4

За други технически характеристики направете справка с табелката с данни на акумулаторната батерия.

### Препоръчителен температурен диапазон



**ВНИМАНИЕ:** Голямото натоварване, когато температурата на акумулаторната батерия е под 0°C (32°F), може да причини временна грешка на акумулаторната батерия.



**ВНИМАНИЕ:** Работете с акумулаторната батерия и я съхранявайте само в препоръчителния температурен диапазон. Ако температурата не е в този диапазон, акумулаторната батерия няма да работи правилно.



**ВНИМАНИЕ:** Акумулаторната батерия не се зарежда, ако

температурата ѝ не е в препоръчителния температурен диапазон.

Температура на използване	Температура на зареждане	Температура на съхранение
-10 – 40°C/14 – 104°F	5 – 40°C/41 – 104°F	5 – 25°C/41 – 77°F

## Одобрени зарядни устройства за акумулаторни батерии

Таблица

Зарядно устройство за акумулатора	QC330	QC500	40-C500X	40-C750X	40-C1000X4
Изходно напрежение, V	36	36	36	36	36
Входно напрежение, V	100 – 240	100 – 240	100 – 240	100 – 240	100 – 240
Честота, Hz	50 – 60	50 – 60	50 – 60	50 – 60	50 – 60
Мощност, W	330	500	500	750	1000 <sup>6</sup>

Таблица

Зарядно устройство за акумулатора	40-C500X	40-C750X
Изходно напрежение, V	36	36
Входно напрежение, V	100 – 240	100 – 240
Честота, Hz	50 – 60	50 – 60
Мощност, W	500	750

## Декларация за съответствие

### Декларация за съответствие

Ние, Husqvarna AB, SE-561 82 Huskvarna, ШВЕЦИЯ, тел.: +46 36 146500, декларираме на своя собствена отговорност, че продуктът:

Описание	Литиевойонна акумулаторна батерия
Марка	Husqvarna®
Тип/модел	40-B140X, 40-B220X, 40-B330X, 40-B360X, 40-B540X
Идентификация	Серийни номера от 2026 и нататък

<sup>6</sup>

Максималната мощност при зареждане на само една акумулаторна батерия е 600 W.

е в съответствие със следните директиви и регламенти на ЕС с изменения:

Директива/регламент	Описание
2014/30/EC	"относно електромагнитната съвместимост"
2014/53/EC <sup>7</sup>	"относно радиооборудването"
(EC) 2023/1542	"относно батериите и негодните за употреба батерии"

и че следните стандарти и/или технически характеристики са приложени;

EN IEC 62133-2:2017+A1:2021

EN IEC 62133-2:2017<sup>8</sup>

IEC 63370:2022

EN 61000-6-1:2007/EN IEC 61000-6-1:2019,  
EN 61000-6-3:2007+A1:2011+AC:2012, EN IEC  
61000-6-3:2021<sup>9</sup>

ETSI EN 301 489-1 v.1.9.2, ETSI EN 301 489-17  
v.3.2.4, ETSI 300 328 v.2.2.2<sup>10</sup>

EN IEC 63000:2018

Друго изпитване, свързано с транспортиране на опасен товар;

UN 38.3, издание 7

Huskvarna, 10.04.2026 г.



Lars Roos

Директор по развойна дейност, Център за компетентности за акумулаторни батерии

Huskvarna AB, ШВЕЦИЯ

Отговорен за техническата документация



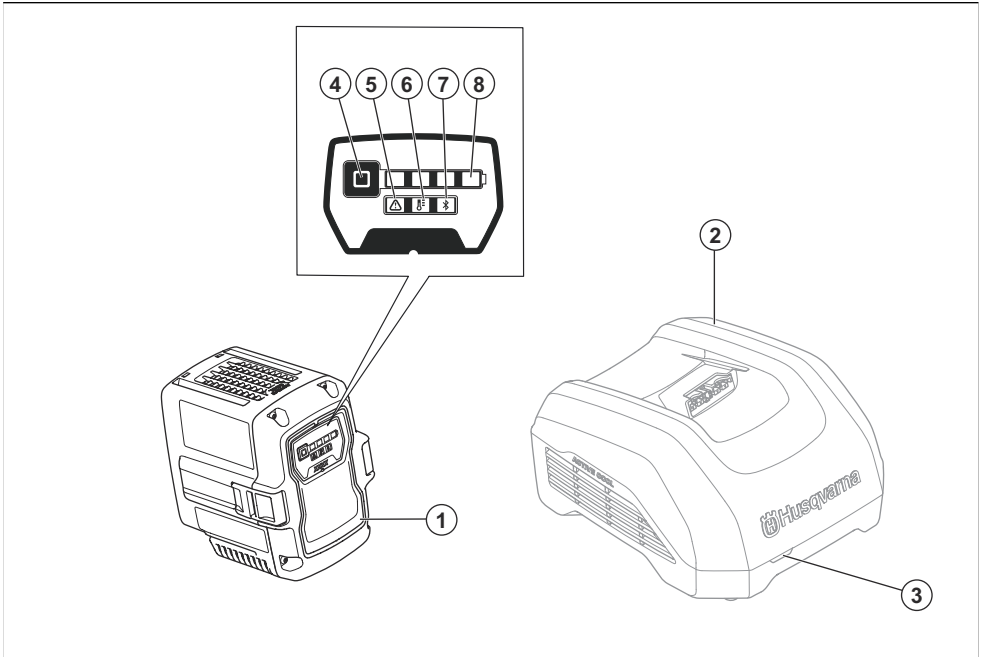
<sup>7</sup> Приложимо за версии, които включват Bluetooth® комуникация.

<sup>8</sup> Приложимо само за 40-B220X.

<sup>9</sup> Изпитването за EMC е извършено и на различни продукти, използващи акумулаторната батерия.

<sup>10</sup> Приложимо за версии, които включват Bluetooth® комуникация.

## Popis výrobku



1. Baterie
2. Nabíječka (příslušenství)
3. Kontrolka nabíjení a chyby
4. Tlačítko stavu nabití
5. Chybová kontrolka
6. Kontrolka teploty baterie
7. Ukazatel Bluetooth® (je-li k dispozici)
8. Ukazatel stavu nabití

## Symbyly na výrobku



Buďte opatrní a výrobek používejte správně. Tento výrobek může způsobit obluze a dalším osobám vážné zranění.



Pečlivě si přečtěte návod k používání baterie, schválené nabíječky a akumulátorového výrobku, který používá tuto baterii. Příručky naleznete na adrese [www.husqvarna.com/support](http://www.husqvarna.com/support). Vyhledejte název modelu. Před použitím výrobku se ujistěte, že jste porozuměli všem pokynům.



Nebezpečné napětí.



Lze používat při dešti.



Chráněno proti stříkající vodě.



Výrobek odpovídá příslušným směrnícím a nařízením ES.



Odevzdejte výrobek ve sběrném dvoře pro recyklaci elektrických a elektronických zařízení.



Výrobek ani obal výrobku nelze zlikvidovat jako domácí odpad.



Neponořujte baterii do vody.



Pokud výrobek disponuje bezdrátovou technologií *Bluetooth®*, bude na štítku s názvem výrobku vyznačena symbolem *Bluetooth®*. Viz část *Bezdrátová technologie Bluetooth®* na straní 19.

**Povšimněte si:** Další symboly/štítky na výrobku se týkají certifikačních požadavků pro některé komerční oblasti.

## Popis výrobku

Husqvarna 40-B140X, 40-B220X, 40-B330X, 40-B360X, 40-B540X je přenosný nabíjecí 36V lithium-iontový akumulátor pro akumulátorové nářadí Husqvarna.

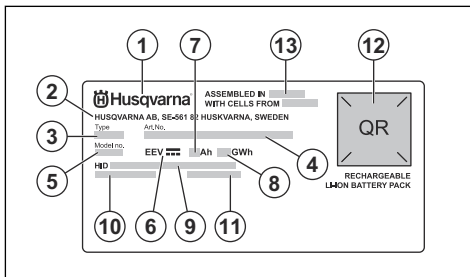
V rámci našeho procesu neustálého vývoje výrobků si společnost Husqvarna vyhrazuje právo měnit konstrukci a vzhled výrobků bez předchozího upozornění.

## Zamýšlené použití

Tyto baterie jsou určeny pro akumulátorové nářadí Husqvarna. Přečtěte si návod k používání elektrického nástroje a ujistěte se, že je baterie pro elektrický nástroj schválena.

**Povšimněte si:** Použití může být upraveno národními nebo místními předpisy. Dodržujte platné předpisy. Tyto baterie jsou určeny k použití se schválenými nabíječkami. Viz část *Schválené nabíječky* na straní 22.

## Typový štítek



1. Značka
2. Adresa výrobce
3. Typ
4. Objednací číslo
5. Číslo modelu
6. Napětí
7. Ampérhodiny
8. Watthodiny
9. Husqvarna ID (HID)
10. Typ článku baterie
11. Výrobní číslo s datem výroby
12. Skenovatelný kód
13. Země montáže

## Bezpečnost

### Definice týkající se bezpečnosti

Varování, výstrahy a poznámky slouží jako upozornění na konkrétní důležité části návodu.



**VÝSTRAHA:** Používá se v případě nebezpečí úrazu nebo usmrcení obsluhy nebo okolních osob, pokud nejsou dodrženy pokyny uvedené v tomto návodu.



**VAROVÁNÍ:** Používá se v případě nebezpečí poškození výrobku, dalších materiálů či škod na majetku v blízkém okolí, pokud nejsou dodrženy pokyny uvedené v tomto návodu.

**Povšimněte si:** Používá se k poskytnutí dalších informací, které jsou nezbytné v dané situaci.

### Důležité bezpečnostní pokyny



**VÝSTRAHA:** Pozorně si přečtěte všechna bezpečnostní upozornění a pokyny. Při nedodržení varování a pokynů může dojít k úrazu elektrickým proudem, požáru nebo vážnému zranění.

**Povšimněte si:** Uložte si veškerá upozornění a pokyny.

- K nabíjení originálních baterií Husqvarna používejte výhradně schválené nabíječky Husqvarna. Baterie jsou softwarově zašifrovány.
- Používejte pouze schválené baterie Husqvarna, které jsou dobíjecí a vhodné jako zdroj napájení pro související výrobky Husqvarna. Abyste zabránili zranění, nepoužívejte baterii jako zdroj napájení pro jiná zařízení.

- Baterii nerozebírejte ani neopravujte. Všechny opravy smí provádět pouze schválený prodejce.
- Chraňte baterii před sluncem, teplem nebo otevřeným ohněm. Baterie může způsobit popáleniny nebo chemické popáleniny.
- Nepoužívejte poškozenou baterii ani nabíječku.
- Nevystavujte baterii mechanickým nárazům.
- Uchovávejte baterie mimo dosah dětí.
- Udržujte baterii čistou a suchou.
- Pokud se kontakty baterie zašpiní, očistěte je čistým suchým hadříkem.
- Je-li baterie plně nabitá, vyjměte ji z nabíječky.
- Vyjměte baterii z výrobku, pokud jej nepoužíváte nebo během přepravy.
- Baterie uchovávejte mimo dosah kovových předmětů, jako jsou např. hřebíky, šrouby nebo šperky.

---

## Provoz

---

### Provoz

- Baterii používejte a skladujte pouze v doporučeném teplotním rozmezí. Viz část *Doporučený teplotní rozsah na strani 21*.
- Před použitím baterie ji zapněte stisknutím tlačítka stavu nabití.
- Baterii je nutné před prvním použitím nabít. Vždy používejte schválenou nabíječku Husqvarna. Viz část *Schválené nabíječky na strani 22*.
- Pokud bliká kontrolka teploty baterie, snižte pracovní zatížení /nebo rychlost.
- Stisknutím tlačítka stavu nabití získáte informace o stavu nabití baterie.

### Husqvarna Connect

Husqvarna Connect je bezplatná aplikace pro mobilní zařízení. Aplikace Husqvarna Connect dodá vašemu výrobku Husqvarna doplňkové funkce.

- Rozšířené informace o výrobku.
- Informace o dílech a servisu a nápověda pro tyto položky.

Více informací o aplikaci Husqvarna Connect naleznete na adrese [www.husqvarna.com](http://www.husqvarna.com).

**Povšimněte si:** Aplikace Husqvarna Connect není dostupná ke stažení na všech trzích. Další informace získáte u svého prodejce poskytujícího servis.

### Jak začít používat aplikaci Husqvarna Connect

1. Stáhněte si aplikaci Husqvarna Connect do mobilního zařízení.
2. V aplikaci Husqvarna Connect se zaregistrujte.
3. Při přidávání výrobku postupujte podle pokynů v aplikaci Husqvarna Connect.

**Povšimněte si:** Aplikace Husqvarna Connect není dostupná ke stažení na všech trzích. Další informace získáte u svého prodejce poskytujícího servis.

### Husqvarna Fleet Services™

Husqvarna Fleet Services™ je cloudové řešení, které poskytuje správci komerčního strojového parku přehled o všech výrobcích. Husqvarna Fleet Services™ je k dispozici jako webová služba a jako aplikace. Více informací o aplikaci Husqvarna Fleet Services™ naleznete na adrese [www.husqvarna.com](http://www.husqvarna.com).

**Povšimněte si:** Cloudové řešení Husqvarna Fleet Services™ není k dispozici na všech trzích.

### Připojení k výrobku pomocí aplikace Husqvarna Fleet Services™

1. Stáhněte si aplikaci Husqvarna Fleet Services™ do svého mobilního zařízení.
2. Přihlaste se do aplikace Husqvarna Fleet Services™.
3. Postupujte podle pokynů pro spárování výrobku s aplikací Husqvarna Fleet Services™.

### Bezdrátová technologie Bluetooth®

Výrobky s vestavěnou bezdrátovou technologií Bluetooth® se mohou připojit k mobilnímu zařízení.

Symbol bezdrátové technologie *Bluetooth®* se rozsvítí, když je vaše mobilní zařízení připojeno k výrobku.



**Povšimněte si:** Toto zařízení prošlo testováním, které potvrdilo jeho soulad s platnými normami pro vystavení rádiovým vlnám (RF). Zařízení lze používat bez omezení v podmínkách expozice v terénu.

### Bezdrátová aktualizace firmwaru vzduch (pro baterie s vestavěnou funkcí Bluetooth®)

Baterie s funkcí Bluetooth® stahuje a instaluje nový firmware automaticky.

- Stahování se spustí, když je k dispozici nový firmware a baterie je připojena k aplikaci Husqvarna Connect nebo Husqvarna Fleet Services™.

- Ukazatel Bluetooth® se rozsvítí, když je baterie připojena a displej baterie je aktivní.
- Stažení firmwaru trvá 10–15 minut. Pokud se stahování zastaví nebo selže, baterie se pokusí firmwaru stáhnout znovu.
- Instalace firmwaru se spustí po dokončení stahování, když se baterie nepoužívá nebo nenabíjí.
- Během instalace firmwaru pulzují ukazatele stavu nabití. Instalace firmwaru trvá 10–15 sekund.

## Nabití baterie

Před prvním použitím baterii nabijte. Nová baterie je nabitá na 30 %. Stisknutím tlačítka stavu nabití získáte informace o stavu nabití baterie. Baterii používejte a skladujte pouze v doporučeném teplotním rozmezí. Viz část *Doporučený teplotní rozsah na strani 21*.

1. Vložte baterii do nabíječky baterií. Pokud se rozsvítí ukazatel nabíjení na nabíječce, baterie je správně připojena k nabíječce.
2. Baterie je plně nabitá, když na baterii svítí všechny ukazatele stavu nabití.

3. Vyměňte baterii z nabíječky.

## Stav nabíjení baterie

Lithium-iontové baterie Husqvarna lze nabíjet i používat bez ohledu na jejich úroveň nabití.

Ukazatele stavu nabití	Stav baterie (stav nabití)
Svítí 4 ukazatele	Baterie je nabitá na 76–100 %.
Svítí 3 ukazatele	Baterie je nabitá na 51–75 %.
Svítí 2 ukazatele	Baterie je nabitá na 26–50 %.
Svítí 1 ukazatel	Baterie je nabitá na 11–25 %.
Bliká 1 ukazatel	Baterie je nabitá na 0–10 %.

## Odstraňování problémů

### Odstraňování problémů

Příznaky	Příčina	Akce
Bliká jeden ukazatel stavu nabití. U výrobku s některými verzemi firmwaru bliká také chybová kontrolka baterie.	Baterie je vybitá.	Nabijte baterii.
Bliká chybová kontrolka na baterii.	Vysoké zatížení v kombinaci s velmi nízkou teplotou baterie.	Zahřejte baterii. Například ji přesuňte dovnitř nebo používejte výrobek při nízké rychlosti, dokud se baterie nezahřeje.
	Baterie nefunguje. Bylo dosaženo limitu provozního rozsahu baterie.	Vyměňte baterii z výrobku. Počkejte 5 minut. Stiskněte tlačítko stavu nabití.
Svítí kontrolka teploty baterie.	Baterie je příliš studená nebo příliš horká pro použití.	Baterii uchovávejte při okolních teplotách –10 až 40 °C. Když má baterie správnou teplotu, lze ji znovu použít.
Bliká kontrolka teploty baterie.	Baterie se blíží ke svým teplotním limitům.	Snižte rychlost /nebo zatížení. Pro optimální výkon udržujte baterii v požadované teplotě v rozmezí 10 až 30 °C.

Příznaky	Příčina	Akce
Během nabíjení svítí kontrolka teploty baterie.	Teplotní odchylka, baterie je příliš studená nebo příliš horká pro nabíjení.	Nechte baterii vychladnout nebo ji přesuňte do interiéru, aby se zahřála. Když má baterie správnou teplotu, lze ji znovu nabít. Nabíječku používejte pouze při okolních teplotách v rozsahu 5 až 40 °C. Uchovávejte nabíječku mimo dosah slunečních paprsků. Pokud problém přetrvává, kontaktujte svého prodejce.
Rozsvítí se chybová kontrolka baterie.	U baterie došlo ke kritické chybě.	Obraťte se na autorizovaný servis Husqvarna.

## Přeprava, skladování a likvidace

### Přeprava a skladování

- Dodané Li-ion baterie podléhají požadavkům legislativy o nebezpečném zboží.
- Dodržujte zvláštní požadavky uvedené na obalu a označení pro komerční přepravu a také ty od třetích stran a dopravců.
- Než odešlete výrobek, promluvte si s osobou speciálně vyškolenou ohledně manipulace s nebezpečnými materiály. Dodržujte platné celostátní předpisy.
- Před vložením baterie do obalu zalepte kontakty páskou. Vložte baterii do obalu a zajistěte ji proti poškození a nehodám.
- Neskladujte baterii v místech, kde může docházet k výbojům statické elektřiny. Neskladujte baterii v kovovém obalu.
- Uchovávejte baterii na suchém a čistém místě chráněném před mrazem s vhodnou teplotou.
- Baterii používejte a skladujte pouze v doporučeném teplotním rozmezí. Viz část *Doporučený teplotní rozsah na strani 21*.
- Před dlouhodobým uskladněním se ujistěte, že je baterie nabitá na 30 až 50 %.

- Před uskladněním baterii vyčistěte.

### Likvidace

Symbol znamená, že výrobek nelze zlikvidovat jako domovní odpad. Odevzdejte jej v místním sběrném místě pro recyklaci elektrických a elektronických zařízení. To přispívá k řádné likvidaci po dosažení konce životnosti. Informace vám poskytnou místní úřady, služby zajišťující zpracování domovního odpadu nebo prodejce. Nesprávná likvidace může mít negativní vliv na životní prostředí a lidské zdraví v důsledku potenciální přítomnosti nebezpečných látek.



**Povšimněte si:** Tento symbol je znázorněn na výrobku nebo obalu výrobku.

## Technické údaje

### Registrované ochranné známky

Slovo a loga *Bluetooth®* jsou registrované ochranné známky vlastněné společností *Bluetooth SIG, inc.* Použití těchto známek společností Husqvarna podléhá licenci.

### Technické údaje

Frekvenční pásmo, MHz	2400–2483,5
Max. přenášený výkon, dBm	4

Další technické údaje jsou uvedeny na typovém štítku na baterii.

### Doporučený teplotní rozsah



**VAROVÁNÍ:** Vysoká pracovní zátěž, když je teplota baterie nižší než 0 °C, může způsobit dočasnou chybu baterie.



**VAROVÁNÍ:** Baterii používejte a skladujte pouze v doporučeném teplotním

rozmezí. Pokud teplota není v tomto rozsahu, baterie nebude fungovat správně.

Teplota při použití	Teplota při nabíjení	Skladovací teplota
-10–40 °C / 14–104 °F	5–40 °C / 41–104 °F	5–25 °C / 41–77 °F



**VAROVÁNÍ:** Baterie se nenabíjí, pokud její teplota není v doporučeném teplotním rozsahu.

## Schválené nabíječky

Tabulka

Nabíječka	QC330	QC500	40-C500X	40-C750X	40-C1000X4
Výstupní napětí, V	36	36	36	36	36
Vstupní napětí, V	100–240	100–240	100–240	100–240	100–240
Frekvence, Hz	50–60	50–60	50–60	50–60	50–60
Výkon, W	330	500	500	750	1000 <sup>11</sup>

Tabulka

Nabíječka	40-C500X	40-C750X
Výstupní napětí, V	36	36
Vstupní napětí, V	100–240	100–240
Frekvence, Hz	50–60	50–60
Výkon, W	500	750

## Prohlášení o shodě

### Prohlášení o shodě

My, společnost Husqvarna AB, SE-561 82 Huskvarna, ŠVÉDSKO, tel.: +46-36-146500, zcela zodpovědně prohlašujeme, že výrobek:

Popis	Dobíjecí Li-Ion baterie
Značka	Husqvarna®
Typ/Model	40-B140X, 40-B220X, 40-B330X, 40-B360X, 40-B540X
Identifikace	Výrobní čísla od roku 2026 a dále

je v souladu s následujícími směrnici a předpisy EU  
v platném znění:

Směrnice/předpis	Popis
2014/30/EU	„o elektromagnetické kompatibilitě“
2014/53/EU <sup>12</sup>	„týkající se rádiových zařízení“
(EU) 2023/1542	„o bateriích a odpadních bateriích“

a že byly použity následující normy nebo technické specifikace:

EN IEC 62133-2:2017+A1:2021

EN IEC 62133-2:2017<sup>13</sup>

IEC 63370:2022

EN 61000-6-1:2007/EN IEC 61000-6-1:2019,  
EN 61000-6-3:2007+A1:2011+AC:2012, EN IEC  
61000-6-3:2021<sup>14</sup>

ETSI EN 301 489-1 v.1.9.2, ETSI EN 301 489-17  
v.3.2.4, ETSI 300 328 v.2.2.2<sup>15</sup>

EN IEC 63000:2018

Další zkoušky týkající se přepravy nebezpečného zboží;

UN 38.3 vydání 7

Huskvarna, 10. dubna 2026



Lars Roos

Ředitel výzkumu a vývoje, Battery Competence Center

Husqvarna AB, ŠVÉDSKO

Osoba odpovědná za technickou dokumentaci



<sup>12</sup> Platí pro verze, které obsahují komunikaci Bluetooth®.

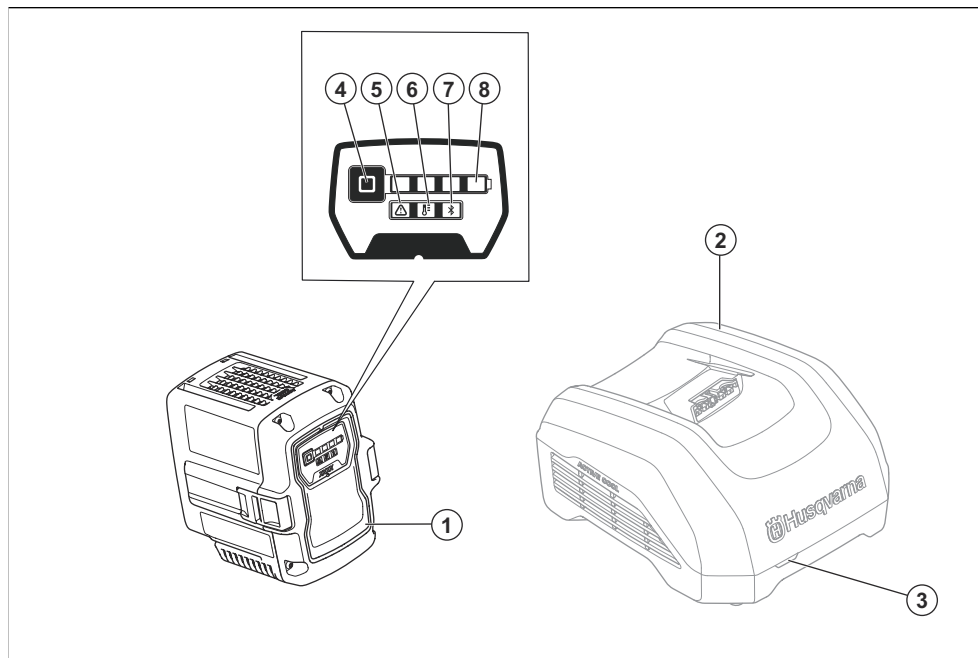
<sup>13</sup> Platí pouze pro model 40-B220X.

<sup>14</sup> Testování elektromagnetické kompatibility se také provádělo na různých výrobcích používajících baterii.

<sup>15</sup> Platí pro verze, které obsahují komunikaci Bluetooth®.

# Indledning

## Produktoversigt



1. Batteri
2. Batterioplader (tilbehør)
3. Opladnings- og fejlindikator
4. Knap for opladningstilstand
5. Fejlindikator
6. Indikator for batteritemperatur
7. Bluetooth®-indikator (hvis relevant)
8. Indikator for ladetilstand

## Symboler på produktet



Vær forsigtig, og brug produktet korrekt. Dette produkt kan forårsage alvorlig personskade eller død for brugeren eller andre.



Læs omhyggeligt brugervejledningen til batteriet, den godkendte oplader og det trådløse produkt, der bruger dette batteri. Du kan finde vejledningerne på [www.husqvarna.com/support](http://www.husqvarna.com/support). Søg efter modelnavnet. Sørg for, at du forstår alle instruktioner, før du bruger produktet.



Farlig spænding.



OK at bruge i regnvejr.



Beskyttet mod stænkvand.



Produktet overholder gældende EF-direktiver og -regler.



Aflever produktet på en godkendt genbrugsstation til elektrisk og elektronisk udstyr.



Produktet og produktemballagen er ikke almindeligt husholdningsaffald.



Nedsenk ikke batteriet i vand.



Hvis produktet har Bluetooth®-trådløs teknologi. Symbolet Bluetooth® vil være markeret på produktets mærkat. Se *Trådløs Bluetooth®-teknologi på side 26.*

**Bemærk:** Andre symboler/mærkater på produktet henviser til certificeringskrav i visse handelsområder.

## Produktbeskrivelse

Husqvarna 40-B140X, 40-B220X, 40-B330X, 40-B360X, 40-B540X er et transportabelt, genopladeligt Li-ion 36 V batteri til batteridrevet værktøj fra Husqvarna.

Som en del af vores kontinuerlige produktudviklingsproces forbeholder Husqvarna sig retten til ændringer af bl.a. form og udseende af produkterne uden forudgående varsel.

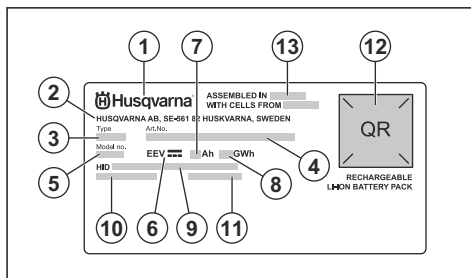
## Anvendelsesformål

Disse batterier er til batteridrevet værktøj fra Husqvarna. Læs brugervejledningen til elværktøjet for at sikre, at batteriet er godkendt til elværktøjet.

**Bemærk:** Nationale eller lokale bestemmelser kan regulere brugen. Overhold gældende bestemmelser.

Disse batterier er beregnet til brug sammen med godkendte batteriopladere. Se *Godkendte batteriopladere på side 29.*

## Typeskilt



1. Varemærke
2. Producentens adresse
3. Type
4. Varenummer
5. Modelnummer
6. Spænding
7. Amperetimer
8. Watt-timer
9. Husqvarna-identitet (HID)
10. Battericeltype
11. Serienummer med produktionsdato
12. Kode, der kan scannes
13. Monteringsland

## Sikkerhed

### Sikkerhedsdefinitioner

Advarsler, forholdsregler og bemærkninger bruges til at pege på særligt vigtige dele af brugsanvisningen.



**ADVARSEL:** Bruges, hvis føreren udsætter sig selv eller omkringstående personer for risiko for personskade eller dødsfald ved tilsidesættelse af instruktionerne i brugsanvisningen.



**BEMÆRK:** Bruges, hvis der er risiko for skader på produktet, andre materialer eller det omgivende område ved tilsidesættelse af instruktionerne i brugsanvisningen.

**Bemærk:** Bruges til at give yderligere oplysninger, der er nødvendige i en given situation.

### Vigtige sikkerhedsinstruktioner



**ADVARSEL:** Læs alle sikkerhedsadvarsler og -instruktioner. Hvis man ignorerer advarsler og anvisninger, kan det medføre elektrisk stød, brand og/eller alvorlig tilskadekomst.

**Bemærk:** Følg alle advarsler og instruktioner.

- Brug kun Husqvarna-godkendte batteriopladere til opladning af originale Husqvarna-batterier. Batterierne er softwarekrypteret.
- Brug kun Husqvarna-godkendte batterier, der er genopladelige, som strømforsyning til de relaterede Husqvarna-produkter. For at undgå personskade må batteriet ikke anvendes som strømforsyning til andre produkter.

- Forsøg aldrig at adskille eller reparere batteriet. Reparationer må kun udføres af en autoriseret forhandler.
- Hold batteriet væk fra sollys, varme og åben ild. Batteriet kan medføre forbrændinger og/eller kemiske forbrændinger.
- Brug ikke beskadigede batterier eller batteriopladere.
- Du må ikke forårsage mekanisk chok på batteriet.
- Opbevar batteriet utilgængeligt for børn.
- Hold batteriet rent og tørt.
- Aftør batteripolerne med en ren og tør klud, hvis de skulle blive snavsede.
- Lad ikke batteriet sidde i batteriopladeren, når det er fuldt opladet.
- Fjern batteriet fra produktet, når du ikke bruger det, og under transport.
- Opbevar batterierne væk fra metalgenstande som f.eks. søm, skruer og smykker.

---

## Drift

---

### Drift

- Batteriet må kun betjenes og opbevares i det anbefalede temperaturområde. Se *Anbefalet temperaturområde på side 28*.
- Tryk på ladetilstandsknappen for at starte batteriet før brug.
- Batteriet skal lades op, inden det tages i brug første gang. Brug altid en Husqvarna-godkendt batterioplader. Se *Godkendte batteriopladere på side 29*.
- Reducer arbejdsbelastningen og/eller hastigheden, når indikatoren for batteritemperatur blinker.
- Tryk på ladetilstandsknappen for at få oplysninger om status for opladning af batteriet.

### Husqvarna Connect

Husqvarna Connect er en gratis app til din mobile enhed. Appen Husqvarna Connect giver udvidede funktioner til dit Husqvarna produkt.

- Yderligere produktoplysninger.
- Oplysninger om, og hjælp til, dele og service.

Du finder flere oplysninger om Husqvarna Connect i [www.husqvarna.com](http://www.husqvarna.com).

**Bemærk:** Husqvarna Connect-appen er ikke tilgængelig for download på alle markeder. Spørg en serviceforhandler for at få yderligere oplysninger.

### Sådan kommer du i gang med at bruge Husqvarna Connect

1. Download Husqvarna Connect-appen på din mobile enhed.
2. Tilmeld dig i Husqvarna Connect-appen.
3. Følg instruktionerne i Husqvarna Connect-appen for at tilslutte produktet.

**Bemærk:** Husqvarna Connect-appen er ikke tilgængelig for download på alle markeder. Spørg en serviceforhandler for at få yderligere oplysninger.

### Husqvarna Fleet Services™

Husqvarna Fleet Services™ er en cloudløsning, der giver administratoren af den kommercielle flåde en

oversigt over alle produkterne. Husqvarna Fleet Services™ er tilgængelig som en webtjeneste og som en app. Du finder flere oplysninger om Husqvarna Fleet Services™ i [www.husqvarna.com](http://www.husqvarna.com).

**Bemærk:** Husqvarna Fleet Services™ cloud-løsning er ikke tilgængelig på alle markeder.

### Sådan oprettes der forbindelse til produktet med Husqvarna Fleet Services™

1. Download Husqvarna Fleet Services™-appen på din mobile enhed.
2. Log på Husqvarna Fleet Services™-appen.
3. Følg vejledningen om, hvordan du parrer produktet med Husqvarna Fleet Services™.

### Trådløs Bluetooth®-teknologi

Produkter med indbygget trådløs Bluetooth®-teknologi kan tilslutte til mobile enheder.

Symbolet for trådløs Bluetooth®-teknologi tænder, når din mobile enhed er tilsluttet til produktet.



**Bemærk:** Denne enhed er blevet vurderet til at være i overensstemmelse med gældende krav til RF-eksponering (radiofrekvens). Enheden kan bruges under transportable eksponeringsforhold uden begrænsninger.

### Opdater firmware trådløst (til batterier med indbygget Bluetooth®)

Batterier med Bluetooth® downloader og installerer automatisk ny firmware.

- Overførslen starter, når ny firmware er tilgængelig, og batteriet er tilsluttet til Husqvarna Connect eller Husqvarna Fleet Services™.
- Bluetooth®-indikatoren viser, når batteriet er tilsluttet, mens batteridisplayet er aktivt.

- Download af firmware tager 10-15 minutter. Hvis overførslen stopper eller mislykkes, vil batteriet forsøge at downloade firmwaren igen.
- Firmwareinstallationen starter, når overførslen er fuldført, og batteriet ikke er i brug eller oplader.
- Ladetilstandsindikatorerne blinker under firmwareinstallationen. Firmwareinstallationen tager 10-15 sekunder.

## Sådan oplades batteriet

Oplad batteriet, før det tages i drift for første gang. Et nyt batteri oplades 30%. Tryk på ladetilstandsknappen for at få oplysninger om status for opladning af batteriet. Batteriet må kun betjenes og opbevares i det anbefalede temperaturområde. Se *Anbefalet temperaturområde på side 28*.

1. Sæt batteriet i batteriopladeren. Når opladningsindikatoren på batteriopladeren tænder, er batteriet tilsluttet korrekt til batteriopladeren.
2. Batteriet er fuldt opladet, når alle ladetilstandsindikatorer på batteriet er tændt.

3. Fjern batteriet fra batteriopladeren.

## Batteriets ladestatus

Et Husqvarna-li-ion-batteri kan oplades eller bruges på alle opladningsniveauer.

Indikatorer for ladetilstand	Batteristatus (opladnings-tilstand)
4 indikatorer er tændt	Batteriet er opladet 76-100%.
3 indikatorer er tændt	Batteriet er opladet 51-75%.
2 indikatorer er tændt	Batteriet er opladet 26-50%.
1 indikator er tændt	Batteriet er opladet 11-25%.
1 indikator blinker	Batteriet er opladet 0-10%.

## Fejlfinding

### Fejlfinding

Symptomer	Årsag	Handling
En ladetilstandsindikator blinker. På produkter med visse firmwareversioner blinker batterifejlindikatoren også.	Batteriet er afladet.	Oplad batteriet.
Batteriets fejlindikator blinker.	Stor arbejdsbelastning kombineret med meget lav batteritemperatur.	Gør batteriet varmt. Flyt det f.eks. indendørs, eller betjen det ved lav hastighed, indtil batteriet er varmt.
	Batteriet fungerer ikke. Batteriets driftsområde er ved at nå grænsen.	Fjern batteriet fra produktet. Vent 5 minutter. Tryk på ladetilstandsknappen.
Batteriets temperaturindikator er tændt.	Batteriet er for koldt eller for varmt til brug.	Hold batteriet i en omgivelsestemperatur på mellem -10 °C og 40 °C. Når batteriet har den korrekte temperatur, kan det bruges igen.
Batteriets temperaturindikator blinker.	Batteriet er tæt på dets temperaturgrænser.	Reducer hastigheden og/eller arbejdsbelastningen. Hold batteriet i den foretrukne temperatur mellem +10 °C og +30 °C for at opnå optimal ydeevne.

Symptomer	Årsag	Handling
Batteriets temperaturindikator er tændt, mens batteriet er i opladeren.	Temperaturafvigelse, batteriet er for koldt eller for varmt til opladning.	Lad batteriet køle ned, eller flyt det indendørs, så det kan varmes op. Når batteriet har den korrekte temperatur, kan det bruges igen. Sørg for at bruge opladeren, når omgivelsestemperaturen er mellem 5 °C og 40 °C. Hold opladeren borte fra sollys. Hvis problemet fortsætter, skal du snakke med din forhandler.
Batteriets fejlindikator tændes.	Batteriet har en kritisk fejl.	Kontakt din Husqvarna-serviceforhandler.

## Transport, opbevaring og bortskaffelse

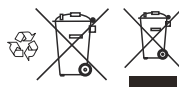
### Transport og opbevaring

- De medfølgende li-ion-batterier overholder lovkravene vedrørende farligt gods.
- Overhold de særlige krav vedrørende emballage og etiketter til kommerciel transport, også fra tredjeparter og speditører.
- Tal med en person med specialuddannelse i farligt materiale, før du sender produktet. Overhold alle gældende nationale bestemmelser.
- Sæt tape på kontakterne, når batteriet lægges i en pakke. Pak batteriet fast i pakken for at undgå skader og uheld.
- Batteriet må ikke opbevares på steder, hvor statisk elektricitet kan forekomme. Opbevar ikke batteriet i en metalkasse.
- Placer produktet på et tørt, frostfrit og rent sted med korrekt temperatur.
- Batteriet må kun betjenes og opbevares i det anbefalede temperaturområde. Se *Anbefalet temperaturområde på side 28*.
- Oplad batteriet 30% til 50%, før du sætter det til opbevaring i længere tid.

- Rengør batteriet, før du sætter det til opbevaring.

### Bortskaffelse

Symbolet betyder, at produktet ikke er almindeligt husholdningsaffald. Genanvend det via det lokale indsamlingssystem til elektrisk og elektronisk udstyr. Dette bidrager til en korrekt affaldshåndtering ved bortskaffelse af udtjente produkter. Kontakt de lokale myndigheder, renovationstjenesterne, din forhandler eller sælger for at få yderligere oplysninger. Forkert bortskaffelse kan have potentielt negative virkninger på miljøet og menneskers sundhed på grund af potentiel tilstedeværelse af farlige stoffer.



**Bemærk:** Symbolet vises på produktet eller emballagen til produktet.

## Tekniske data

### Registrerede varemærker

*Bluetooth®*-navnet og -logoerne er registrerede varemærker tilhørende *Bluetooth SIG, inc.*, og al Husqvarnas brug deraf sker på licens.

### Tekniske data

Frekvensbånd, MHz	2400-2483,5
Maks. transmitteret effekt, dBm	4

For øvrige tekniske data, se typeskiltet på batteriet.

### Anbefalet temperaturområde



**BEMÆRK:** Stor arbejdsbelastning, når batteritemperaturen er under 0 °C, kan forårsage en midlertidig batterifejl.



**BEMÆRK:** Batteriet må kun betjenes og opbevares i det anbefalede temperaturområde. Hvis temperaturen ikke er inden for dette område, fungerer batteriet ikke korrekt.



**BEMÆRK:** Batteriet oplades ikke, hvis dets temperatur ikke er inden for det anbefalede temperaturområde.

Anvendelses-temperatur	Opladningstemperatur	Opbevarings-temperatur
-10-40 °C	5-40 °C	5-25 °C

## Godkendte batteriopladere

Table 7: Godkendte batteriopladere til 40-B140X, 40-B220X, 40-B330X

Batterioplader	QC330	QC500	40-C500X	40-C750X	40-C1000X4
Udgangsspænding, V	36	36	36	36	36
Indgangsspænding, V	100-240	100-240	100-240	100-240	100-240
Frekvens, Hz	50-60	50-60	50-60	50-60	50-60
Effekt, watt	330	500	500	750	1000 <sup>16</sup>

Table 8: Godkendte batteriopladere til 40-B360X, 40-B540X

Batterioplader	40-C500X	40-C750X
Udgangsspænding, V	36	36
Indgangsspænding, V	100-240	100-240
Frekvens, Hz	50-60	50-60
Effekt, watt	500	750

## Overensstemmelseserklæring

### Overensstemmelseserklæring

Vi, Husqvarna AB, SE-561 82 Huskvarna, SVERIGE, Tlf.: +4636-146500 erklærer under eneansvar, at det pågældende produkt:

Beskrivelse	Genopladeligt Li-ion-batteri
Varemærke	Husqvarna®
Type/model	40-B140X, 40-B220X, 40-B330X, 40-B360X, 40-B540X
Identifikation	Serienumrene fra 2026 og fremefter

<sup>16</sup>

Den maksimale effekt ved opladning af kun ét batteri er 600 W.

er i overensstemmelse med følgende EU-direktiver og  
-forordninger som ændret:

Direktiv/bestemmelser	Beskrivelse
2014/30/EU	"vedrørende elektromagnetisk kompatibilitet"
2014/53/EU <sup>17</sup>	"vedrørende radioudstyr"
(EU) 2023/1542	"vedrørende batterier og brugte batterier"

og at følgende standarder og/eller tekniske  
specifikationer anvendes;

EN IEC 62133-2:2017+A1:2021

EN IEC 62133-2:2017<sup>18</sup>

IEC 63370:2022

EN 61000-6-1:2007/EN IEC 61000-6-1:2019,  
EN 61000-6-3:2007+A1:2011+AC:2012, EN IEC  
61000-6-3:2021<sup>19</sup>

ETSI EN 301 489-1 v.1.9.2, ETSI EN 301 489-17  
v.3.2.4, ETSI 300 328 v.2.2.2<sup>20</sup>

EN IEC 63000:2018

Andre test, da det er relateret til transport af farligt gods:

UN 38.3 udgave 7

Husqvarna, 10-04-2026



Lars Roos

R&D Director, Battery Competence Center

Husqvarna AB, SVERIGE

Ansvarlig for teknisk dokumentation



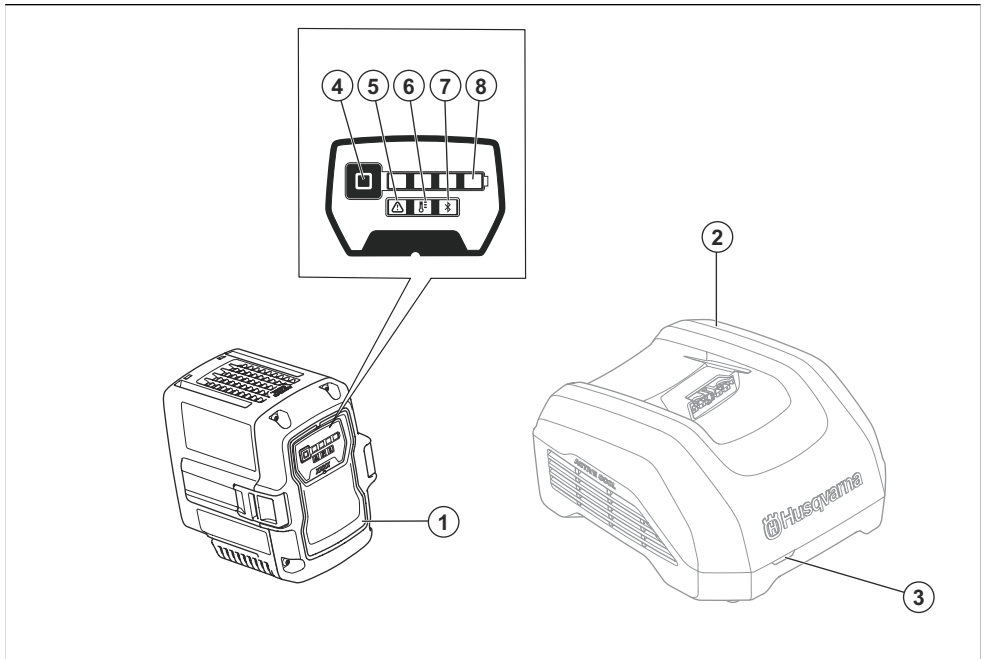
<sup>17</sup> Gælder for versioner, der omfatter Bluetooth®-kommunikation.

<sup>18</sup> Gælder kun for 40-B220X.

<sup>19</sup> EMC-test udføres også på forskellige produkter ved hjælp af batteriet.

<sup>20</sup> Gælder for versioner, der omfatter Bluetooth®-kommunikation.

## Geräteübersicht



1. Akku
2. Akkuladegerät (Zubehör)
3. Lade- und Fehleranzeige
4. Kopf für Ladezustandsanzeige
5. Fehleranzeige
6. Akkutemperaturanzeige
7. Bluetooth®-Anzeige (falls zutreffend)
8. Ladezustandsanzeige

sicher, dass Sie alle Anweisungen verstanden haben, bevor Sie das Gerät verwenden.

## Symbole auf dem Gerät



Gehen Sie vorsichtig vor, und verwenden Sie das Gerät ordnungsgemäß. Dieses Gerät kann schwere oder tödliche Verletzungen des Bedieners oder anderer Personen verursachen.



Lesen Sie die Betriebsanleitung für den Akku, das zugelassene Ladegerät und das kabellose Gerät, das diesen Akku verwendet, sorgfältig durch. Die Anleitungen finden Sie unter [www.husqvarna.com/support](http://www.husqvarna.com/support). Suchen Sie nach dem Modellnamen. Stellen Sie



Gefährliche Spannung.



Kann bei Regen verwendet werden.



Spritzwassergeschützt.



Dieses Gerät entspricht den geltenden CE-Richtlinien und Vorschriften.



Recyceln Sie das Gerät an einer entsprechenden Recyclingstation für elektrische und elektronische Geräte.



Das Gerät und die Verpackung des Geräts dürfen nicht über den Hausmüll entsorgt werden.



Tauchen Sie den Akku nicht in Wasser.



Wenn das Gerät mit *Bluetooth®*-Drahtlostechnologie ausgestattet ist, Das Symbol *Bluetooth®* wird auf dem Etikett mit dem Gerätenamen angegeben. Siehe *Bluetooth®-Drahtlostechnologie auf Seite 34*.

**Hinweis:** Weitere Symbole/Aufkleber auf dem Gerät beziehen sich auf die Zertifizierungsanforderungen für einige gewerbliche Bereiche.

## Produktbeschreibung

Husqvarna 40-B140X, 40-B220X, 40-B330X, 40-B360X, 40-B540X ist ein tragbarer, wiederaufladbarer Lithium-Ionen-Akku mit 36 Volt für Akku-Geräte von Husqvarna.

Da wir ständig an der Weiterentwicklung unserer Produkte arbeiten, behält sich Husqvarna das Recht auf Änderungen des Designs oder des Aussehens der Produkte ohne vorherige Ankündigung vor.

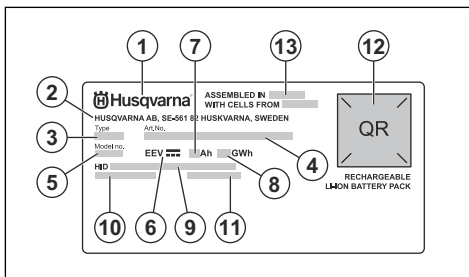
## Bestimmungsgemäße Verwendung

Diese Akkus sind für Akku-Geräte von Husqvarna vorgesehen. Lesen Sie das Handbuch des

Elektrowerkzeugs, um sicherzustellen, dass der Akku für das Elektrowerkzeug zugelassen ist.

**Hinweis:** Nationale oder lokale Bestimmungen regeln ggf. die Verwendung. Beachten Sie die geltenden Vorschriften. Diese Akkus sind für die Verwendung mit zugelassenen Ladegeräten vorgesehen. Siehe *Zugelassene Ladegeräte auf Seite 36*.

## Typenschild



1. Marke
2. Herstelleradresse
3. Typ
4. Artikelnummer
5. Modellnummer
6. Spannung
7. Amperestunden
8. Wattstunden
9. Husqvarna Identifikationsnummer (HID)
10. Typ Batteriezelle
11. Seriennummer mit Herstellungsdatum
12. Scanbarer Code
13. Montageland

## Sicherheit

### Sicherheitsdefinitionen

Warnungen, Vorsichtsmaßnahmen und Hinweise weisen auf besonders wichtige Teile der Betriebsanleitung hin.



**WARNUNG:** Wird verwendet, wenn bei Nichtbeachtung der Anweisungen in diesem Handbuch die Gefahr von Verletzung oder Tod des Bedieners oder anderer Personen besteht.



**ACHTUNG:** Wird verwendet, wenn bei Nichtbeachtung der Anweisungen in diesem Handbuch die Gefahr von Schäden am

Gerät, an anderen Materialien oder in der Umgebung besteht.

**Hinweis:** Für weitere Informationen, die in bestimmten Situationen nötig sind.

### Wichtige Sicherheitshinweise



**WARNUNG:** Lesen Sie alle Warn- und Sicherheitshinweise. Wenn Sie die Warn- und Sicherheitshinweise nicht befolgen, kann dies zu Elektroschock, Brand und/oder schweren Verletzungen führen.

---

**Hinweis:** Bewahren Sie alle Warn- und Sicherheitshinweise auf.

---

- Verwenden Sie nur von Husqvarna zugelassene Akkuladegeräte zum Aufladen von Husqvarna Originalakkus. Die Akkus verfügen über eine Softwareverschlüsselung.
- Verwenden Sie als Stromversorgung für die zugehörigen Husqvarna Geräte nur wiederaufladbare Husqvarna Akkus. Um Verletzungen zu vermeiden, verwenden Sie den Akku nicht zur Energieversorgung anderer Geräte.
- Versuchen Sie nicht, den Akku zu reparieren oder zu zerlegen. Sämtliche Reparaturen dürfen nur von einem autorisierten Händler durchgeführt werden.
- Halten Sie den Akku von direkter Sonneneinstrahlung, Hitze oder offenem Feuer fern.

Der Akku kann Verbrennungen und/oder chemische Verätzungen verursachen.

- Verwenden Sie keine beschädigten Akkus oder Ladegeräte.
- Setzen Sie den Akku keinen mechanischen Stößen aus.
- Halten Sie den Akku fern von Kindern.
- Halten Sie den Akku sauber und trocken.
- Reinigen Sie bei Verschmutzungen die Akkuklemmen mit einem sauberen, trockenen Tuch.
- Entfernen Sie den Akku aus dem Ladegerät, wenn er vollständig aufgeladen ist.
- Entfernen Sie den Akku aus dem Gerät, wenn Sie ihn nicht verwenden, sowie während des Transports.
- Lagern Sie Akkus getrennt von Metallgegenständen wie Nägeln, Schrauben oder Schmuck.

---

## Betreiben

---

### Betreiben

- Verwenden und lagern Sie den Akku nur im empfohlenen Temperaturbereich. Siehe *Empfohlener Temperaturbereich auf Seite 36*.
- Drücken Sie die Ladezustandstaste, um den Akku vor dem Gebrauch zu starten.
- Vor der erstmaligen Verwendung muss der Akku aufgeladen werden. Verwenden Sie immer ein von Husqvarna zugelassenes Ladegerät. Siehe *Zugelassene Ladegeräte auf Seite 36*.
- Verringern Sie die Arbeitslast und/oder Geschwindigkeit, wenn die Akkutemperaturanzeige blinkt.
- Drücken Sie die Ladezustandstaste, um Informationen zum Ladezustand des Akkus zu erhalten.

2. Melden Sie sich in der Husqvarna Connect-App an.
3. Befolgen Sie die Anweisungen in der Husqvarna Connect-App, um das Gerät hinzuzufügen.

---

**Hinweis:** Die Husqvarna Connect-App ist nicht überall zum Download erhältlich. Ihr Servicehändler steht Ihnen gerne für weitere Informationen zur Verfügung.

---

### Husqvarna Fleet Services™

Husqvarna Fleet Services™ ist eine Cloud-Lösung, durch die der Flottenmanager bei kommerzieller Anwendung eine Übersicht über alle Geräte erhält. Husqvarna Fleet Services™ ist als Webdienst und als App verfügbar. Weitere Informationen zu Husqvarna Fleet Services™ finden Sie unter [www.husqvarna.com](http://www.husqvarna.com).

### Husqvarna Connect

Husqvarna Connect ist eine kostenlose App für Ihr Mobilgerät. Die Husqvarna Connect-App bietet erweiterte Funktionen für Ihr Husqvarna Gerät.

- Erweiterte Produktinformationen.
- Informationen über Geräteteile und -wartung sowie entsprechende Hilfe dazu.

Weitere Informationen zu Husqvarna Connect finden Sie unter [www.husqvarna.com](http://www.husqvarna.com).

---

**Hinweis:** Die Husqvarna Fleet Services™ Cloudlösung ist nicht überall erhältlich.

---

### So stellen Sie mit Husqvarna Fleet Services™ eine Verbindung zum Gerät her

1. Laden Sie die Husqvarna Fleet Services™-App auf Ihr Mobilgerät herunter.
2. Melden Sie sich bei der Husqvarna Fleet Services™-App an.
3. Befolgen Sie die Anweisungen, wie das Gerät mit Husqvarna Fleet Services™ zu verbinden ist.

---

**Hinweis:** Die Husqvarna Connect-App ist nicht überall zum Download erhältlich. Ihr Servicehändler steht Ihnen gerne für weitere Informationen zur Verfügung.

---

### Erste Verwendung von Husqvarna Connect

1. Laden Sie die Husqvarna Connect-App auf Ihr Mobilgerät herunter.

## Bluetooth®-Drahtlostechnologie

Geräte mit eingebauter Bluetooth®-Drahtlostechnologie können mit einem Mobilgerät verbunden werden.

Das Symbol für Bluetooth®-Drahtlostechnologie leuchtet auf, wenn Ihr Mobilgerät mit dem Gerät verbunden ist.



**Hinweis:** Dieses Gerät wurde geprüft und entspricht den geltenden Anforderungen hinsichtlich der Exposition gegenüber Funkfrequenzen. Das Gerät kann ohne Einschränkungen im mobilen Einsatz verwendet werden.

## Firmware über Funk aktualisieren (für Akkus mit integriertem Bluetooth®)

Akkus mit Bluetooth® laden neue Firmware automatisch herunter und installieren diese.

- Der Download beginnt, wenn neue Firmware verfügbar ist und der Akku mit Husqvarna Connect oder Husqvarna Fleet Services™ verbunden ist.
- Die Bluetooth®-Anzeige zeigt an, dass der Akku angeschlossen ist, während die Akkuanzeige aktiv ist.
- Das Herunterladen der Firmware dauert 10 bis 15 Minuten. Wenn der Download abgebrochen wird oder fehlschlägt, versucht der Akku erneut, die Firmware herunterzuladen.
- Die Firmware-Installation beginnt, wenn der Download abgeschlossen ist und der Akku nicht verwendet oder aufgeladen wird.
- Die Ladezustandsanzeigen blinken während der Firmware-Installation. Die Firmware-Installation dauert 10 bis 15 Sekunden.

## So laden Sie den Akku

Laden Sie den Akku vor der erstmaligen Verwendung. Ein neuer Akku ist zu 30 % geladen. Drücken Sie die Ladezustandstaste, um Informationen zum Ladezustand des Akkus zu erhalten. Verwenden und lagern Sie den Akku nur im empfohlenen Temperaturbereich. Siehe *Empfohlener Temperaturbereich auf Seite 36*.

1. Legen Sie den Akku in das Ladegerät. Wenn die Ladeanzeige am Ladegerät aufleuchtet, dann ist der Akku richtig an das Ladegerät angeschlossen.
2. Der Akku ist vollständig geladen, wenn alle Ladezustandsanzeigen am Akku leuchten.
3. Nehmen Sie den Akku aus dem Ladegerät.

## Akku-Ladestatus

Ein Husqvarna Li-Ionen-Akku kann in jedem Ladezustand aufgeladen oder genutzt werden.

Ladezustandsanzeigen	Akkustatus (Ladezustand)
4 Ladeanzeigen leuchten	Der Akku ist zu 76 % bis 100 % geladen.
3 Ladeanzeigen leuchten	Der Akku ist zu 51 % bis 75 % geladen.
2 Ladeanzeigen leuchten	Der Akku ist zu 26 % bis 50 % geladen.
1 Ladeanzeige leuchtet	Der Akku ist zu 11 % bis 25 % geladen.
1 Ladeanzeige blinkt	Der Akku ist zu 0% bis 10% geladen.

## Störungen beseitigen

### Störungen beseitigen

Symptome	Ursache	Aktion
Eine Ladezustandsanzeige blinkt. Bei Produkten mit einigen Firmware-Versionen blinkt auch die Akkufehleranzeige.	Der Akku ist leer.	Den Akku aufladen.

Symptome	Ursache	Aktion
Die Akkufehleranzeige blinkt.	Hohe Arbeitslast in Verbindung mit sehr niedriger Akkutemperatur.	Lassen Sie den Akku aufwärmen. Bringen Sie ihn beispielsweise in einen Innenraum oder betreiben Sie ihn bei niedriger Geschwindigkeit, bis er sich aufgewärmt hat.
	Der Akku funktioniert nicht. Der maximale Betriebsbereich des Akkus ist erreicht.	Entfernen Sie den Akku aus dem Gerät. Warten Sie fünf Minuten. Die Ladezustandstaste auf dem Akku drücken.
Die Akkutemperaturanzeige leuchtet.	Der Akku ist für die Verwendung zu kalt oder zu warm.	Bewahren Sie den Akku in einer Umgebungstemperatur zwischen -10 °C (14 °F) und 40 °C (104 °F) auf. Wenn der Akku die richtige Temperatur hat, kann er wieder verwendet werden.
Die Akkutemperaturanzeige blinkt.	Der Akku befindet sich nahe des Temperaturgrenzwerts.	Verringern Sie die Geschwindigkeit und/oder die Arbeitslast. Bewahren Sie den Akku für optimale Leistung idealerweise bei einer Temperatur zwischen +10 °C (50 °F) und +30 °C (86 °F) auf.
Die Akkutemperaturanzeige leuchtet, während sich der Akku im Ladegerät befindet.	Temperaturabweichung: Der Akku ist zu kalt oder zu warm zum Laden.	Den Akku abkühlen lassen oder in den Innenbereich verlagern, um ihn zu erwärmen. Wenn der Akku die richtige Temperatur hat, kann er wieder aufgeladen werden. Nutzen Sie das Ladegerät nur bei Umgebungstemperaturen zwischen 5 °C (41 °F) und 40 °C (104 °F). Setzen Sie das Ladegerät keiner direkten Sonneneinstrahlung aus. Wenn das Problem weiterhin besteht, wenden Sie sich bitte an Ihren Händler.
Die Akkufehleranzeige leuchtet auf.	Der Akku weist einen kritischen Fehler auf.	Wenden Sie sich an Ihren Husqvarna Servicehändler.

---

## Transport, Lagerung und Entsorgung

---

### Transport und Aufbewahrung

- Die mitgelieferten Lithium-Ionen-Akkus entsprechen den Anforderungen des Gefahrgutrechts.
- Beachten Sie für den gewerblichen Transport, auch durch Dritte oder Speditionen, die gesonderte Anforderung auf Verpackung und Etiketten.
- Sprechen Sie sich vor dem Versand des Geräts mit einer Person ab, die speziell im Gefahrgutversand geschult ist. Beachten Sie sämtliche geltenden nationalen Vorschriften.
- Bedecken Sie die Kontakte mit Klebeband, wenn Sie den Akku in eine Verpackung legen. Stellen Sie sicher, dass der Akku eng in der Verpackung liegt, um Schäden und Unfälle zu vermeiden.
- Lagern Sie den Akku nicht an einem Ort, an dem es zu elektrostatischen Entladungen kommen kann. Bewahren Sie den Akku nicht in einem Metallkasten auf.
- Legen Sie den Akku an einem trockenen, frostfreien und sauberen Ort mit der korrekten Temperatur ab.
- Verwenden und lagern Sie den Akku nur im empfohlenen Temperaturbereich. Siehe *Empfohlener Temperaturbereich auf Seite 36*.
- Laden Sie den Akku auf 30 bis 50 %, bevor Sie ihn über längere Zeit einlagern.
- Reinigen Sie den Akku, bevor Sie ihn einlagern.

## Entsorgen

Das Symbol bedeutet, dass das Gerät nicht über den Hausmüll entsorgt werden darf. Recyceln Sie es über Ihre örtliche Entsorgungsstelle für elektrische und elektronische Geräte. Damit tragen Sie zu einem ordnungsgemäßen Abfallmanagement bei. Wenden Sie sich an die örtlichen Behörden, Abfallentsorgungsdienste, Ihren Händler oder Verkäufer, um weitere Informationen zu erhalten. Eine unsachgemäße Entsorgung kann sich negativ auf die

Umwelt und die Gesundheit des Menschen auswirken, da potenziell Gefahrstoffe vorhanden sein können.



**Hinweis:** Das Symbol ist auf dem Gerät oder der Verpackung des Geräts zu finden.

## Technische Daten

### Eingetragene Marken

Die *Bluetooth®*-Wortmarke und die Logos sind eingetragene Marken von *Bluetooth SIG, inc.* und die Verwendung dieser Marken durch Husqvarna erfolgt unter Lizenz.

### Technische Daten

Frequenzband, MHz	2400 – 2483,5
Max. übertragene Leistung, dBm	4

Sonstige technische Daten finden Sie auf dem Typenschild auf dem Akku.

### Empfohlener Temperaturbereich



**ACHTUNG:** Eine hohe Arbeitslast bei einer Akkutemperatur von weniger als 0 °C

### Zugelassene Ladegeräte

#### Tabelle

Ladegerät	QC330	QC500	40-C500X	40-C750X	40-C1000X4
Ausgangsspannung, V	36	36	36	36	36
Eingangsspannung, V	100–240	100–240	100–240	100–240	100–240
Frequenz, Hz	50–60	50–60	50–60	50–60	50–60
Leistung, W	330	500	500	750	1000 <sup>21</sup>

(32 °F) kann zu einem vorübergehenden Akkufehler führen.



**ACHTUNG:** Verwenden und lagern Sie den Akku nur im empfohlenen Temperaturbereich. Wenn die Temperatur nicht in diesem Bereich liegt, funktioniert der Akku nicht ordnungsgemäß.



**ACHTUNG:** Der Akku wird nicht aufgeladen, wenn seine Temperatur nicht innerhalb des empfohlenen Temperaturbereichs liegt.

Betriebstemperatur	Ladetemperatur	Storage temperature
-10–40 °C / 14–104 °F	5–40 °C/41–104 °F	5–25 °C/41–77 °F

<sup>21</sup>

Die maximale Leistung beim Laden von nur einem Akku beträgt 600 W.

## Tabelle

Ladegerät	40-C500X	40-C750X
Ausgangsspannung, V	36	36
Eingangsspannung, V	100–240	100–240
Frequenz, Hz	50–60	50–60
Leistung, W	500	750

## Konformitätserklärung

### Konformitätserklärung

Husqvarna AB, SE-561 82 Huskvarna, SCHWEDEN,  
Tel.: 46 36 146500, erklärt in alleiniger Verantwortung,  
dass das Gerät:

<b>Beschreibung</b>	<b>Wiederaufladbarer Li-Ion-Akku</b>
<b>Marke</b>	Husqvarna®
<b>Typ/Modell</b>	40-B140X, 40-B220X, 40-B330X, 40-B360X, 40-B540X
<b>Identifizierung</b>	Seriennummern ab 2026

entspricht den folgenden EU-Richtlinien und  
-Verordnungen in der jeweils gültigen Fassung:

Richtlinie/Verordnung	Beschreibung
2014/30/EG	„EMV-Richtlinie“
2014/53/EG <sup>22</sup>	„zu Funkanlagen“
(EU) 2023/1542	„über Batterien und Altbatterien“

und dass die folgenden Normen und/oder technischen  
Daten angewendet werden;

EN IEC 62133-2:2017+A1:2021

EN IEC 62133-2:2017<sup>23</sup>

IEC 63370:2022

EN 61000-6-1:2007/EN IEC 61000-6-1:2019,  
EN 61000-6-3:2007+A1:2011+AC:2012, EN IEC  
61000-6-3:2021<sup>24</sup>

ETSI EN 301 489-1 v.1.9.2, ETSI EN 301 489-17  
v.3.2.4, ETSI 300 328 v.2.2.2<sup>25</sup>

EN IEC 63000:2018

Andere Tests in Bezug auf den Transport von  
Gefahrgütern;

UN 38.3 Ausgabe 7

Husqvarna, 10. April 2026



<sup>22</sup> Gilt für Versionen mit Bluetooth®-Kommunikation.

<sup>23</sup> Gilt nur für 40-B220X.

<sup>24</sup> Außerdem wurden EMC-Tests an verschiedenen Produkten durchgeführt, die diesen Akku verwenden.

<sup>25</sup> Gilt für Versionen mit Bluetooth®-Kommunikation.

Lars Roos

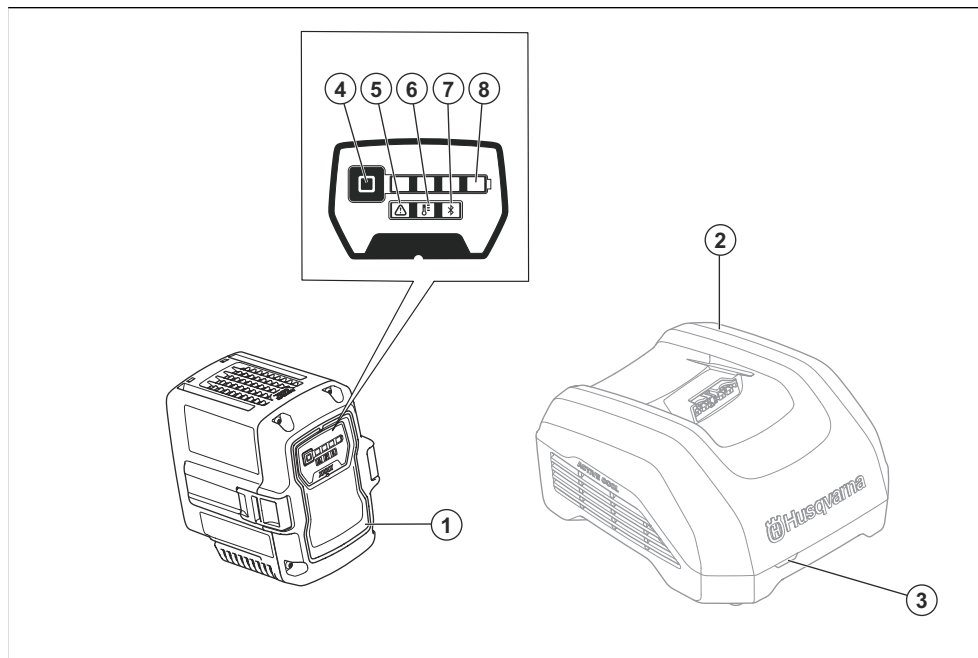
R&D Director, Battery Competence Center

Husqvarna AB, SCHWEDEN

Verantwortlich für die technische Dokumentation



## Επισκόπηση προϊόντος



1. Μπαταρία
2. Φορτιστής μπαταρίας (αξεσουάρ)
3. Ένδειξη φόρτισης και σφάλματος
4. Κουμπί κατάστασης φόρτισης
5. Ένδειξη σφάλματος
6. Ένδειξη θερμοκρασίας μπαταρίας
7. Ένδειξη Bluetooth® (εάν υπάρχει)
8. Ένδειξη κατάστασης φόρτισης

Βεβαιωθείτε ότι έχετε κατανοήσει όλες τις οδηγίες προτού χρησιμοποιήσετε το προϊόν.

## Σύμβολα στο προϊόν



Να είστε προσεκτικοί και να χρησιμοποιείτε το προϊόν σωστά. Αυτό το προϊόν μπορεί να προκαλέσει σοβαρό τραυματισμό ή θάνατο του χειριστή ή άλλων ατόμων.



Διαβάστε προσεκτικά το εγχειρίδιο χρήσης για την μπαταρία, τον εγκεκριμένο φορτιστή και το ασύρματο προϊόν που χρησιμοποιεί αυτήν την μπαταρία. Μπορείτε να βρείτε τα εγχειρίδια στη διεύθυνση [www.husqvarna.com/support](http://www.husqvarna.com/support). Αναζητήστε το όνομα μοντέλου.



Επικίνδυνη τάση.



OK για χρήση στη βροχή.



Προστασία από πισιλιζήματα νερού.



Το προϊόν συμφώνει με τις ισχύουσες οδηγίες και κανονισμούς ΕΚ.



Ανακυκλώστε το προϊόν σε κατάλληλη τοποθεσία απόρριψης ηλεκτρικού και ηλεκτρονικού εξοπλισμού.



Το προϊόν ή η συσκευασία του προϊόντος δεν αποτελεί οικιακό απόρριμμα.



Μην βυθίζετε την μπαταρία σε νερό.



Εφόσον το προϊόν διαθέτει ασύρματη τεχνολογία **Bluetooth®**. Το σύμβολο **Bluetooth®** επισημαίνεται στην ετικέτα ονόματος του προϊόντος. Ανατρέξτε στην ενότητα **Ασύρματη τεχνολογία Bluetooth®** στη **σελίδα 42**.

**Περιεχόμενα** Άλλα σύμβολα/σήματα που υπάρχουν στο προϊόν αναφέρονται σε απαιτήσεις πιστοποίησης για ορισμένες εμπορικές περιοχές.

## Περιγραφή προϊόντος

Η μπαταρία Husqvarna 40-B140X, 40-B220X, 40-B330X, 40-B360X, 40-B540X είναι μια φορητή, επαναφορτιζόμενη μπαταρία ιόντων λιθίου 36 V για εργαλεία της Husqvarna που λειτουργούν με μπαταρία.

Ως μέρος της διαδικασίας μας συνεχούς ανάπτυξης προϊόντων, η Husqvarna διατηρεί το δικαίωμα να προβαίνει σε τροποποιήσεις στη σχεδίαση ή/και την εμφάνιση των προϊόντων χωρίς προειδοποίηση.

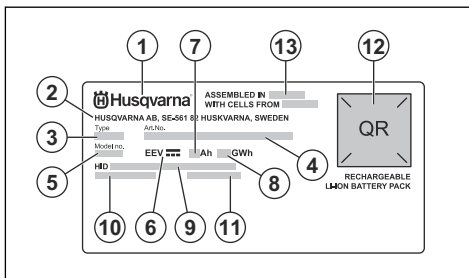
## Προβλεπόμενη χρήση

Αυτές οι μπαταρίες προορίζονται για εργαλεία της Husqvarna που λειτουργούν με μπαταρία. Διαβάστε το

εγχειρίδιο του ηλεκτρικού εργαλείου για να βεβαιωθείτε ότι η μπαταρία είναι εγκεκριμένη για το ηλεκτρικό εργαλείο.

**Περιεχόμενα** Η χρήση μπορεί να ρυθμίζεται από εθνικούς ή τοπικούς κανονισμούς. Τηρείτε τους ισχύοντες κανονισμούς. Αυτές οι μπαταρίες προορίζονται για χρήση με εγκεκριμένους φορτιστές μπαταριών. Ανατρέξτε στην ενότητα **Εγκεκριμένοι φορτιστές μπαταριών στη σελίδα 44**.

## Πινακίδα στοιχείων μηχανήματος



1. Μάρκα
2. Διεύθυνση κατασκευαστή
3. Τύπος
4. Κωδικός προϊόντος
5. Αριθμός μοντέλου
6. Τάση
7. Αμπερώρες
8. Βατώρες
9. Ταυτότητα Husqvarna (HID)
10. Τύπος στοιχείων μπαταρίας
11. Αριθμός σειράς με ημερομηνία παραγωγής
12. Κωδικός με δυνατότητα σάρωσης
13. Χώρα συναρμολόγησης

## Ασφάλεια

### Ορισμοί για την ασφάλεια

Για την επισήμανση ιδιαίτερα σημαντικών τμημάτων του εγχειριδίου, χρησιμοποιούνται προειδοποιήσεις, συστάσεις προσοχής και σημειώσεις.



**ΠΡΟΕΙΔΟΠΟΙΗΣΗ:** Χρησιμοποιείται όταν υπάρχει κίνδυνος τραυματισμού ή θανάτου του χειριστή ή άλλων παριστάμενων ατόμων, αν δεν τηρηθούν οι οδηγίες που παρέχονται στο εγχειρίδιο.



**ΠΡΟΣΟΧΗ:** Χρησιμοποιείται όταν υπάρχει κίνδυνος πρόκλησης ζημιάς στο προϊόν, σε άλλα υλικά ή στον παρακείμενο

χώρο, αν δεν τηρηθούν οι οδηγίες που παρέχονται στο εγχειρίδιο.

**Περιεχόμενα** Χρησιμοποιείται για παροχή περισσότερων πληροφοριών, οι οποίες χρειάζονται σε μια δεδομένη κατάσταση.

### Σημαντικές οδηγίες ασφαλείας



**ΠΡΟΕΙΔΟΠΟΙΗΣΗ:** Διαβάστε όλες τις προειδοποιήσεις ασφαλείας και όλες τις οδηγίες. Η μη τήρηση των προειδοποιήσεων και των οδηγιών μπορεί να προκαλέσει

ηλεκτροπληξία, πυρκαγιά ή/και σοβαρό τραυματισμό.

---

**Περιεχόμενα** Φυλάξτε όλες τις προειδοποιήσεις και τις οδηγίες.

---

- Χρησιμοποιείτε μόνο εγκεκριμένους φορτιστές μπαταρίας της Husqvarna για να φορτίσετε γνήσιες μπαταρίες της Husqvarna. Οι μπαταρίες φέρουν κωδικοποίηση λογισμικού.
- Χρησιμοποιήστε αποκλειστικά επαναφορτιζόμενες μπαταρίες εγκεκριμένες από τη Husqvarna ως πηγή ισχύος για τα συναφή προϊόντα Husqvarna μόνο. Για την αποφυγή τραυματισμών, μην χρησιμοποιείτε την μπαταρία ως πηγή ηλεκτρικής ισχύος για άλλες συσκευές.
- Μην επιχειρείτε να αποσυναρμολογήσετε ή να επισκευάσετε την μπαταρία. Όλες οι επισκευές πρέπει να γίνονται μόνο από εγκεκριμένο αντιπρόσωπο.

---

## Λειτουργία

---

### Λειτουργία

- Χρησιμοποιείτε και αποθηκεύετε την μπαταρία μόνο στο συνιστώμενο εύρος θερμοκρασιών. Ανατρέξτε στην ενότητα *Συνιστώμενο εύρος θερμοκρασιών στη σελίδα 44*.
- Πατήστε το κουμπί κατάστασης φόρτισης για να εκκινήσετε την μπαταρία πριν από τη χρήση.
- Η μπαταρία πρέπει να φορτιστεί, προτού την χρησιμοποιήσετε για πρώτη φορά. Χρησιμοποιείτε μόνο εγκεκριμένο φορτιστή μπαταρίας Husqvarna. Ανατρέξτε στην ενότητα *Εγκεκριμένοι φορτιστές μπαταρίας στη σελίδα 44*.
- Μειώστε το φορτίο εργασίας ή/και την ταχύτητα, όταν αναβοσβήνει η ένδειξη θερμοκρασίας μπαταρίας.
- Πατήστε το κουμπί κατάστασης φόρτισης για πληροφορίες σχετικά με την κατάσταση φόρτισης της μπαταρίας.

### Husqvarna Connect

Η Husqvarna Connect είναι μια δωρεάν εφαρμογή για τη φορητή συσκευή σας. Η εφαρμογή Husqvarna Connect παρέχει εκτεταμένες λειτουργίες για το προϊόν Husqvarna που διαθέτετε.

- Περισσότερες πληροφορίες για το προϊόν.
- Πληροφορίες και βοήθεια για τα ανταλλακτικά και το σέρβις του προϊόντος.

Για περισσότερες πληροφορίες σχετικά με το Husqvarna Connect, ανατρέξτε στην ενότητα [www.husqvarna.com](http://www.husqvarna.com).

---

**Περιεχόμενα** Η εφαρμογή Husqvarna Connect δεν είναι διαθέσιμη για λήψη σε όλες τις αγορές. Απευθυνθείτε στον αντιπρόσωπο σέρβις για περισσότερες πληροφορίες.

---

- Διατηρείτε την μπαταρία μακριά από την ηλιακή ακτινοβολία, τη θερμότητα ή τις γυμνές φλόγες. Η μπαταρία μπορεί να προκαλέσει εγκαύματα ή/και χημικά εγκαύματα.
- Μην χρησιμοποιείτε μπαταρία ή φορτιστή μπαταρίας που έχει υποστεί ζημιά.
- Μην προκαλείτε μηχανική κρούση στην μπαταρία.
- Φυλάσσετε την μπαταρία μακριά από παιδιά.
- Διατηρείτε την μπαταρία καθαρή και στεγνή.
- Αν οι ακροδέκτες της μπαταρίας λερωθούν, καθαρίστε τους με ένα καθαρό και στεγνό πανί.
- Βγάλτε την μπαταρία από το φορτιστή, όταν η μπαταρία φορτιστεί πλήρως.
- Να αφαιρείτε την μπαταρία από το προϊόν όταν δεν το χρησιμοποιείτε και κατά τη μεταφορά.
- Φυλάσσετε τις μπαταρίες μακριά από μεταλλικά αντικείμενα, όπως καρφιά, νομίσματα και κοσμήματα.

---

### Εκκίνηση χρήσης του Husqvarna Connect

1. Κατεβάστε την εφαρμογή Husqvarna Connect στη φορητή συσκευή σας.
2. Εγγραφείτε στην εφαρμογή Husqvarna Connect.
3. Ακολουθήστε τα βήματα των οδηγιών που θα βρείτε στην εφαρμογή Husqvarna Connect για να προσθέσετε το προϊόν.

---

**Περιεχόμενα** Η εφαρμογή Husqvarna Connect δεν είναι διαθέσιμη για λήψη σε όλες τις αγορές. Απευθυνθείτε στον αντιπρόσωπο σέρβις για περισσότερες πληροφορίες.

---

### Husqvarna Fleet Services™

Το Husqvarna Fleet Services™ είναι μια λύση μέσω του cloud, η οποία προσφέρει στον διαχειριστή ενός επαγγελματικού στόλου μηχανημάτων μια συνοπτική εικόνα για όλα τα προϊόντα. Το Husqvarna Fleet Services™ διατίθεται ως υπηρεσία web και ως εφαρμογή. Για περισσότερες πληροφορίες σχετικά με το Husqvarna Fleet Services™, ανατρέξτε στην ενότητα [www.husqvarna.com](http://www.husqvarna.com).

---

**Περιεχόμενα** Η λύση μέσω του cloud Husqvarna Fleet Services™ δεν είναι διαθέσιμη σε όλες τις αγορές.

---

### Σύνδεση στο προϊόν με το Husqvarna Fleet Services™

1. Κάντε λήψη της εφαρμογής Husqvarna Fleet Services™ στην κινητή συσκευή σας.
2. Συνδεθείτε στην εφαρμογή Husqvarna Fleet Services™.

3. Ακολουθήστε τις οδηγίες σχετικά με τον τρόπο αντιστοίχισής του προϊόντος με το Husqvarna Fleet Services™.

### Ασύρματη τεχνολογία Bluetooth®

Τα προϊόντα με ενσωματωμένη ασύρματη τεχνολογία Bluetooth® μπορούν να συνδεθούν με κινητή συσκευή.

Το σύμβολο της ασύρματης τεχνολογίας Bluetooth® ανάβει όταν η κινητή συσκευή είναι συνδεδεμένη στο προϊόν.



**Περιεχόμενα** Αυτή η συσκευή έχει αξιολογηθεί ότι συμμορφώνεται με τις ισχύουσες απαιτήσεις έκθεσης σε ραδιοσυχνότητες (RF). Η συσκευή μπορεί να χρησιμοποιηθεί σε συνθήκες έκθεσης για φορητές συσκευές χωρίς περιορισμούς.

### Ενημέρωση υλικολογισμικού με ασύρματη ενημέρωση (για μπαταρίες με ενσωματωμένο Bluetooth®)

Μπαταρίες με δυνατότητα λήψης Bluetooth® και αυτόματης εγκατάστασης νέου υλικολογισμικού.

- Η λήψη ξεκινά όταν είναι διαθέσιμο νέο υλικολογισμικό και η μπαταρία είναι συνδεδεμένη στο Husqvarna Connect ή στο Husqvarna Fleet Services™.
- Η ένδειξη Bluetooth® εμφανίζεται όταν η μπαταρία είναι συνδεδεμένη ενώ η οθόνη μπαταρίας είναι ενεργή.
- Η λήψη του υλικολογισμικού διαρκεί 10-15 λεπτά. Εάν η λήψη διακοπεί ή αποτύχει, η μπαταρία θα προσπαθήσει να πραγματοποιήσει ξανά λήψη του υλικολογισμικού.
- Η εγκατάσταση του υλικολογισμικού ξεκινά όταν ολοκληρωθεί η λήψη και η μπαταρία δεν χρησιμοποιείται ή δεν φορτίζει.
- Οι ενδείξεις κατάστασης φόρτισης αναβοσβήνουν κατά την εγκατάσταση του υλικολογισμικού. Η

εγκατάσταση του υλικολογισμικού διαρκεί 10-15 δευτερόλεπτα.

### Φόρτιση της μπαταρίας

Φορτίστε την μπαταρία προτού τη θέσετε σε λειτουργία για πρώτη φορά. Μια καινούργια μπαταρία είναι φορτισμένη κατά 30%. Πατήστε το κουμπί κατάστασης φόρτισης για πληροφορίες σχετικά με την κατάσταση φόρτισης της μπαταρίας. Χρησιμοποιείτε και αποθηκεύετε την μπαταρία μόνο στο συνιστώμενο εύρος θερμοκρασιών. Ανατρέξτε στην ενότητα *Συνιστώμενο εύρος θερμοκρασιών στη σελίδα 44*.

1. Τοποθετήστε την μπαταρία στο φορτιστή μπαταρίας. Όταν η ένδειξη φόρτισης στον φορτιστή της μπαταρίας ανάψει, η μπαταρία έχει συνδεθεί σωστά στον φορτιστή της μπαταρίας.
2. Η μπαταρία είναι πλήρως φορτισμένη όταν όλες οι ενδείξεις φόρτισης στην μπαταρία είναι αναμμένες.
3. Αφαιρέστε την μπαταρία από το φορτιστή.

### Κατάσταση φόρτισης της μπαταρίας

Μια μπαταρία ιόντων λιθίου της Husqvarna μπορεί να φορτιστεί ή να χρησιμοποιηθεί σε όλα τα επίπεδα φόρτισης.

Ενδείξεις κατάστασης φόρτισης	Κατάσταση μπαταρίας (κατάσταση φόρτισης)
4 ενδείξεις είναι αναμμένες	Η μπαταρία είναι φορτισμένη κατά 76% - 100%.
3 ενδείξεις είναι αναμμένες	Η μπαταρία είναι φορτισμένη κατά 51% - 75%.
2 ενδείξεις είναι αναμμένες	Η μπαταρία είναι φορτισμένη κατά 26% - 50%.
1 ένδειξη είναι αναμμένη	Η μπαταρία είναι φορτισμένη κατά 11% - 25%.
1 ένδειξη αναβοσβήνει	Η μπαταρία είναι φορτισμένη κατά 0% - 10%.

## Επίλυση προβλημάτων

### Επίλυση προβλημάτων

Συμπτώματα	Αιτία	Ενέργεια
Μία ένδειξη κατάστασης φόρτισης αναβοσβήνει. Για προϊόντα με ορισμένες εκδόσεις υλικολογισμικού, η ένδειξη σφάλματος μπαταρίας αναβοσβήνει επίσης.	Η μπαταρία είναι άδεια.	Φορτίστε την μπαταρία.

Συμπτώματα	Αιτία	Ενέργεια
Η ένδειξη σφάλματος της μπαταρίας αναβοσβήνει.	Βαρύ φορτίο εργασίας σε συνδυασμό με πολύ χαμηλή θερμοκρασία μπαταρίας.	Θερμάνετε την μπαταρία. Για παράδειγμα, μετακινήστε την σε εσωτερικό χώρο ή λειτουργήστε τη σε χαμηλή ταχύτητα μέχρι να ζεσταθεί η μπαταρία.
	Η μπαταρία δεν λειτουργεί. Η εμβέλεια λειτουργίας της μπαταρίας είναι στο όριό της.	Αφαιρέστε την μπαταρία από το προϊόν. Περιμένετε 5 λεπτά. Πατήστε το κουμπί κατάστασης φόρτισης.
Η ένδειξη της θερμοκρασίας μπαταρίας είναι αναμμένη.	Η μπαταρία είναι πολύ κρύα ή πολύ ζεστή για χρήση.	Διατηρείτε την μπαταρία σε θερμοκρασία περιβάλλοντος μεταξύ -10°C (14°F) και 40°C (104°F). Όταν η θερμοκρασία της μπαταρίας είναι σωστή, μπορεί να χρησιμοποιηθεί ξανά.
Η ένδειξη της θερμοκρασίας μπαταρίας αναβοσβήνει.	Η μπαταρία βρίσκεται κοντά στα όρια θερμοκρασίας της.	Μειώστε την ταχύτητα ή/και το φορτίο εργασίας. Διατηρείτε την μπαταρία στην προτιμώμενη θερμοκρασία μεταξύ +10 °C (50 °F) και +30 °C (86 °F) για βέλτιστη απόδοση.
Η ένδειξη της θερμοκρασίας μπαταρίας είναι αναμμένη όσο η μπαταρία βρίσκεται στον φορτιστή.	Απόκλιση θερμοκρασίας, η μπαταρία είναι πολύ κρύα ή πολύ ζεστή για να φορτιστεί.	Αφήστε την μπαταρία να κρυώσει ή προθερμανέτε την σε εσωτερικό χώρο. Όταν η θερμοκρασία της μπαταρίας είναι σωστή, μπορεί να φορτιστεί ξανά. Φροντίστε να χρησιμοποιείτε τον φορτιστή σε σημεία όπου η θερμοκρασία είναι μεταξύ 5°C (41°F) και 40°C (104°F). Φυλάσσετε τον φορτιστή μακριά από το φως του ήλιου. Αν το πρόβλημα παραμένει, απευθυνθείτε στον αντιπρόσωπό σας.
Η ένδειξη σφάλματος της μπαταρίας ανάβει.	Η μπαταρία παρουσιάζει κρίσιμο σφάλμα.	Απευθυνθείτε στον αντιπρόσωπο σέρβις της Husqvarna.

## Μεταφορά, αποθήκευση και απόρριψη

### Μεταφορά και αποθήκευση

- Οι παρεχόμενες μπαταρίες ιόντων λιθίου πληρούν όλες τις απαιτήσεις της νομοθεσίας περί επικίνδυνων εμπορευμάτων.
- Πρέπει να τηρείτε την ειδική απαίτηση που αναγράφεται στη συσκευασία και στις ετικέτες σχετικά με την εμπορική μεταφορά, καθώς και αυτές από τρίτα μέρη και από διαμετακομιστές.
- Απευθυνθείτε σε ένα άτομο ειδικά εκπαιδευμένο στα επικίνδυνα υλικά προτού στείλετε το προϊόν. Να τηρείτε όλους τους ισχύοντες εθνικούς κανονισμούς.
- Αν συσκευάσετε την μπαταρία, χρησιμοποιήστε ταινία πάνω στις επαφές. Σφηνώστε την μπαταρία μέσα στη συσκευασία για να αποτρέψετε τυχόν ζημιές και ατυχήματα.

- Μην αποθηκεύετε την μπαταρία σε χώρους όπου ενδέχεται να προκληθεί στατικός ηλεκτρισμός. Μην αποθηκεύετε την μπαταρία σε μεταλλικό κουτί.
- Τοποθετήστε την μπαταρία σε στεγνό και καθαρό χώρο όπου δεν υπάρχει κίνδυνος παγετού με τη σωστή θερμοκρασία.
- Χρησιμοποιείτε και αποθηκεύετε την μπαταρία μόνο στο συνιστώμενο εύρος θερμοκρασιών. Ανατρέξτε στην ενότητα *Συνιστώμενο εύρος θερμοκρασιών στη σελίδα 44*.
- Φορτίστε την μπαταρία κατά 30% έως 50% προτού την φυλάξετε για μεγάλο χρονικό διάστημα.
- Καθαρίστε την μπαταρία προτού την αποθηκεύσετε.

### Απόρριψη

Το σύμβολο σημαίνει ότι το προϊόν δεν είναι οικιακό απόρριμμα. Ανακυκλώστε μέσω του τοπικού συστήματος συλλογής ηλεκτρικού και ηλεκτρονικού εξοπλισμού.

Αυτό συμβάλλει στην ορθή διαχείριση των αποβλήτων στο τέλος του κύκλου ζωής τους. Επικοινωνήστε με τις τοπικές αρχές, τις υπηρεσίες διαχείρισης οικιακών απορριμμάτων, τον αντιπρόσωπο ή το κατάστημα λιανικής για πληροφορίες. Η εσφαλμένη απόρριψη ενδέχεται να έχει αρνητικές επιπτώσεις στο περιβάλλον και την ανθρώπινη υγεία, λόγω της πιθανής παρουσίας επικίνδυνων ουσιών.



**Περιεχόμενα** Αυτό το σύμβολο υπάρχει πάνω στο προϊόν ή στη συσκευασία του προϊόντος.

## Τεχνικά στοιχεία

### Σήματα κατατεθέντα

Η λέξη *Bluetooth®* και τα σχετικά λογότυπα είναι σήματα κατατεθέντα και ανήκουν στην *Bluetooth SIG, inc.* Οποιαδήποτε χρήση αυτών των σημάτων από την Husqvarna γίνεται κατόπιν αδειάς.

### Τεχνικά στοιχεία

Ζώνη συχνοτήτων, MHz	2400 – 2483,5
Μέγιστη εκπεμπόμενη ισχύς, dBm	4

Για άλλα τεχνικά στοιχεία, ανατρέξτε στην πινακίδα ονομαστικών τιμών της μπαταρίας.

### Συνιστώμενο εύρος θερμοκρασιών



**ΠΡΟΣΟΧΗ:** Το βαρύ φορτίο εργασίας όταν η θερμοκρασία της μπαταρίας είναι

κάτω από 0 °C (32 °F) μπορεί να προκαλέσει προσωρινό σφάλμα μπαταρίας.



**ΠΡΟΣΟΧΗ:** Χρησιμοποιείτε και αποθηκεύετε την μπαταρία μόνο στο συνιστώμενο εύρος θερμοκρασιών. Εάν η θερμοκρασία δεν βρίσκεται εντός αυτού του εύρους, η μπαταρία δεν θα λειτουργεί σωστά.



**ΠΡΟΣΟΧΗ:** Η μπαταρία δεν φορτίζει εάν η θερμοκρασία της δεν βρίσκεται εντός του συνιστώμενου εύρους θερμοκρασιών.

Θερμοκρασία χρήσης	Θερμοκρασία φόρτισης	Θερμοκρασία αποθήκευσης
-10–40°C / 14–104°F	5–40°C / 41–104°F	5–25°C / 41–77°F

### Εγκεκριμένοι φορτιστές μπαταρίας

#### Πίνακας

Φορτιστής μπαταρίας	QC330	QC500	40-C500X	40-C750X	40-C1000X4
Τάση εξόδου, V	36	36	36	36	36
Τάση εισόδου, V	100–240	100–240	100–240	100–240	100–240
Συχνότητα, Hz	50–60	50–60	50–60	50–60	50–60
Ισχύς, W	330	500	500	750	1000 <sup>26</sup>

#### Πίνακας

Φορτιστής μπαταρίας	40-C500X	40-C750X
Τάση εξόδου, V	36	36
Τάση εισόδου, V	100–240	100–240

<sup>26</sup>

Η μέγιστη ισχύς κατά τη φόρτιση μίας μόνο μπαταρίας είναι 600 W.

<b>Φορτιστής μπαταρίας</b>	<b>40-C500X</b>	<b>40-C750X</b>
<b>Συχνότητα, Hz</b>	50-60	50-60
<b>Ισχύς, W</b>	500	750

## Δήλωση συμμόρφωσης

### Δήλωση συμμόρφωσης

Εμείς, η Husqvarna AB, SE-561 82 Huskvarna, ΣΟΥΗΔΙΑ, τηλ.: +46- 36-146500, δηλώνουμε με αποκλειστική μας ευθύνη ότι το προϊόν:

<b>Περιγραφή</b>	<b>Επαναφορτιζόμενη μπαταρία ιόντων λιθίου</b>
<b>Μάρκα</b>	Husqvarna®
<b>Τύπος/Μοντέλο</b>	40-B140X, 40-B220X, 40-B330X, 40-B360X, 40-B540X
<b>Αναγνώριση</b>	Αριθμοί σειράς με ημερομηνία από το 2026 και έπειτα

συμμορφώνονται με τις ακόλουθες οδηγίες και κανονισμούς της ΕΕ, όπως έχουν τροποποιηθεί:

<b>Οδηγία/Κανονισμός</b>	<b>Περιγραφή</b>
2014/30/ΕΕ	"σχετικά με την ηλεκτρομαγνητική συμβατότητα"
2014/53/ΕΕ <sup>27</sup>	"σχετικά με τον ραδιοεξοπλισμό"
(ΕΕ) 2023/1542	"σχετικά με τις μπαταρίες και τα απορρίμματα μπαταριών"

και ότι εφαρμόζονται τα παρακάτω πρότυπα ή/και τεχνικές προδιαγραφές.

EN IEC 62133-2:2017+A1:2021

EN IEC 62133-2:2017<sup>28</sup>

IEC 63370:2022

EN 61000-6-1:2007/EN IEC 61000-6-1:2019,  
EN 61000-6-3:2007+A1:2011+AC:2012, EN IEC  
61000-6-3:2021<sup>29</sup>

ETSI EN 301 489-1 v.1.9.2, ETSI EN 301 489-17  
v.3.2.4, ETSI 300 328 v.2.2.2<sup>30</sup>

EN IEC 63000:2018

Άλλες δοκιμές που σχετίζονται με τη μεταφορά επικίνδυνων υλικών.

UN 38.3 έκδοση 7

Huskvarna, 10 Απριλίου 2026



Lars Roos

Διευθυντής Έρευνας και Ανάπτυξης, Battery  
Competence Center

Husqvarna AB, ΣΟΥΗΔΙΑ

Υπεύθυνος για την τεχνική τεκμηρίωση



<sup>27</sup> Ισχύει για εκδόσεις που περιλαμβάνουν επικοινωνία Bluetooth®.

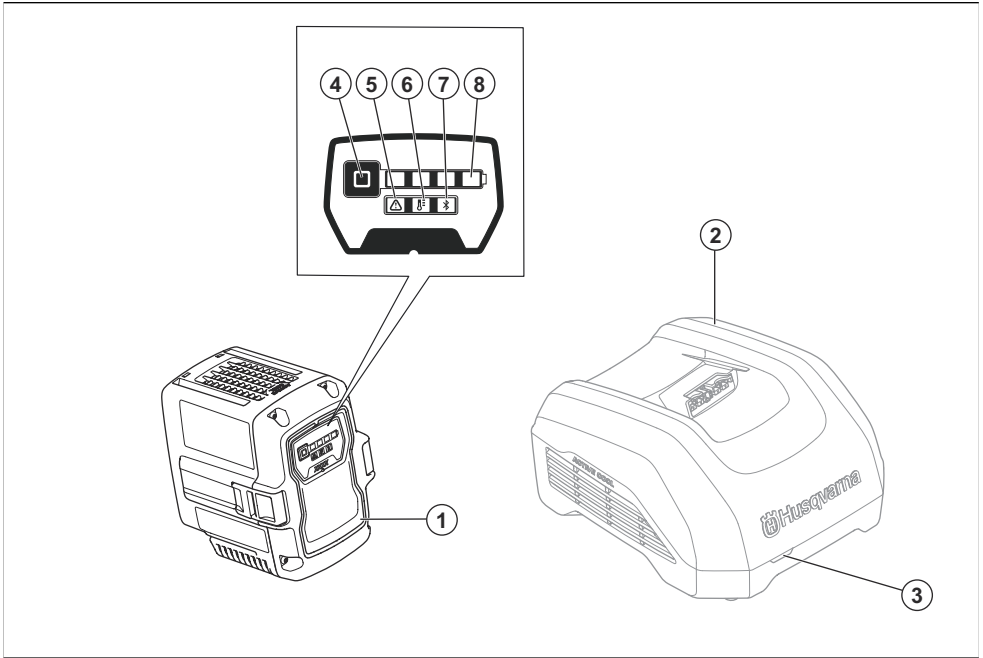
<sup>28</sup> Ισχύει μόνο για το 40-B220X.

<sup>29</sup> Ο έλεγχος EMC πραγματοποιήθηκε επίσης σε διάφορα προϊόντα που χρησιμοποιούν την μπαταρία.

<sup>30</sup> Ισχύει για εκδόσεις που περιλαμβάνουν επικοινωνία Bluetooth®.

# Introducción

## Descripción del producto



1. Batería
2. Cargador de batería (accesorio)
3. Indicador de carga y de error
4. Botón del indicador del estado de carga
5. Indicador de error
6. Indicador de temperatura de la batería
7. Indicador Bluetooth® (si procede)
8. Indicador del estado de carga

Asegúrese de comprender todas las instrucciones antes de utilizar el producto.

## Símbolos que aparecen en el producto



Tenga cuidado y utilice el producto correctamente. Este producto puede ocasionar lesiones graves o mortales tanto al usuario como a cualquier otra persona.



Lea detenidamente el manual de instrucciones de la batería, del cargador homologado y del producto inalámbrico que utiliza esta batería. Puede encontrar los manuales en [www.husqvarna.com/support](http://www.husqvarna.com/support). Busque el nombre del modelo.



Tensión peligrosa.



Se puede usar bajo la lluvia.



Protegido contra salpicaduras de agua.



El producto cumple con las directivas y normativas CE vigentes.



Recicle el producto en un lugar apto para el desecho de equipos eléctricos y electrónicos.



Ni el producto ni su embalaje son residuos domésticos.



No sumerja la batería en agua.



Si el producto cuenta con tecnología inalámbrica *Bluetooth*<sup>®</sup>, El símbolo *Bluetooth*<sup>®</sup> aparecerá en la etiqueta del nombre del producto. Consulte *Tecnología inalámbrica Bluetooth*<sup>®</sup> en la página 48.

**Nota:** Los demás símbolos y etiquetas que aparecen en el producto corresponden a requisitos de homologación específicos de otras zonas comerciales.

## Descripción del producto

Los modelos Husqvarna 40-B140X, 40-B220X, 40-B330X, 40-B360X, 40-B540X son baterías portátiles y recargables de ion-litio de 36 V para las herramientas a batería Husqvarna.

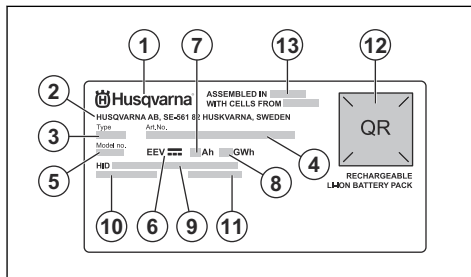
Como parte de nuestro proceso continuo de desarrollo de productos, Husqvarna se reserva el derecho a introducir modificaciones en su estructura y diseño sin previo aviso.

## Uso previsto

Estas baterías están diseñadas para herramientas a batería Husqvarna. Consulte el manual de la herramienta para asegurarse de que la batería es compatible.

**Nota:** El uso puede estar sujeto a normativas nacionales o locales. Cumpla la normativa aplicable. Estas baterías deben utilizarse con los cargadores aprobados. Consulte *Cargadores de batería homologados en la página 51*.

## Placa de características técnicas



1. Marca
2. Dirección del fabricante
3. Tipo
4. Referencia
5. Número del modelo
6. Tensión
7. Amperios-hora
8. Vatios-hora
9. Identificación de Husqvarna (HID)
10. Tipo de celda de la batería
11. N.º de serie con fecha de fabricación
12. Código escaneable
13. País de montaje

## Seguridad

### Definiciones de seguridad

Las advertencias, precauciones y notas se utilizan para destacar información particularmente importante del manual.



**ADVERTENCIA:** Indica un riesgo de lesiones o incluso de muerte del usuario o de las personas cercanas si no se respetan las instrucciones del manual.



**PRECAUCIÓN:** Indica un riesgo de daños en el producto, otros materiales o el área adyacente si no se respetan las instrucciones del manual.

**Nota:** Se usa para proporcionar más información necesaria en una situación determinada.

### Instrucciones de seguridad importantes



**ADVERTENCIA:** Lea todas las advertencias e instrucciones de seguridad. El incumplimiento de las advertencias e instrucciones de seguridad puede ocasionar descargas eléctricas, incendios o lesiones graves.

**Nota:** Guarde todas las advertencias e instrucciones.

- Utilice únicamente cargadores de batería Husqvarna aprobados para cargar las baterías originales de

Husqvarna. Las baterías están encriptadas mediante software.

- Utilice las baterías recargables aprobadas por Husqvarna como fuente de alimentación solo para los productos Husqvarna relacionados. Para evitar lesiones, no utilice la batería como fuente de alimentación de otros dispositivos.
- No intente desmontar ni reparar la batería. Las reparaciones deben ser realizadas exclusivamente por un distribuidor autorizado.
- Mantenga la batería lejos de la luz directa del sol, de fuentes de calor o de las llamas. La batería puede provocar quemaduras o quemaduras químicas.
- No utilice una batería o un cargador de batería defectuoso o dañado.

- Evite que la batería reciba golpes.
- Mantenga la batería alejada de los niños.
- Mantenga la batería limpia y seca.
- Si los terminales de la batería se ensucian, límpielos con un trapo seco y limpio.
- Retire la batería del cargador cuando esté completamente cargada.
- Extraiga la batería del producto cuando no lo utilice y durante el transporte.
- Guarde la batería alejada de objetos metálicos, como clavos, tornillos o joyas.

---

## Funcionamiento

---

### Funcionamiento

- Utilice y guarde la batería únicamente dentro del intervalo de temperaturas recomendado. Consulte *Intervalo de temperaturas recomendado en la página 51*.
- Pulse el botón de estado de carga para activar la batería antes de usarla.
- La batería debe cargarse antes de utilizarse por primera vez. Utilice siempre un cargador de batería aprobado por Husqvarna. Consulte *Cargadores de batería homologados en la página 51*.
- Reduzca la carga de trabajo o la velocidad cuando el indicador de temperatura de la batería esté parpadeando.
- Pulse el botón de estado de carga para consultar el nivel de carga de la batería.

### Husqvarna Connect

Husqvarna Connect es una aplicación gratuita para su dispositivo móvil. La aplicación Husqvarna Connect proporciona más funciones para su producto Husqvarna.

- Información ampliada sobre el producto.
- Información y asistencia sobre piezas y mantenimiento de productos.

Para obtener más información sobre Husqvarna Connect, consulte [www.husqvarna.com](http://www.husqvarna.com).

**Nota:** La aplicación Husqvarna Connect no se puede descargar en todos los mercados. Póngase en contacto con su distribuidor para obtener más información.

---

### Uso de Husqvarna Connect

1. Descargue la aplicación Husqvarna Connect en su dispositivo móvil.
2. Registre una cuenta en la aplicación Husqvarna Connect.

3. Siga las instrucciones de la aplicación Husqvarna Connect para añadir el producto.

---

**Nota:** La aplicación Husqvarna Connect no se puede descargar en todos los mercados. Póngase en contacto con su distribuidor para obtener más información.

---

### Husqvarna Fleet Services™

Husqvarna Fleet Services™ es una solución en la nube que proporciona al administrador de flotas comerciales una visión general de todos los productos. Husqvarna Fleet Services™ está disponible como servicio web y como aplicación. Para obtener más información sobre Husqvarna Fleet Services™, consulte [www.husqvarna.com](http://www.husqvarna.com).

---

**Nota:** La solución en la nube Husqvarna Fleet Services™ no está disponible en todos los mercados.

---

### Conexión del producto con Husqvarna Fleet Services™

1. Descargue la aplicación Husqvarna Fleet Services™ en su dispositivo móvil.
2. Inicie sesión en la aplicación Husqvarna Fleet Services™.
3. Siga las instrucciones sobre cómo emparejar el producto con Husqvarna Fleet Services™.

### Tecnología inalámbrica Bluetooth®

Los productos con tecnología inalámbrica Bluetooth® integrada se pueden conectar a un dispositivo móvil.

Cuando el dispositivo móvil está conectado al producto, el símbolo de la tecnología inalámbrica *Bluetooth®* se enciende.



**Nota:** Este dispositivo ha sido evaluado y cumple con los requisitos aplicables de exposición a radiofrecuencia (RF). El dispositivo puede utilizarse en condiciones de exposición portátil sin restricciones.

### Actualización inalámbrica del firmware (para baterías con Bluetooth® integrado)

Las baterías con Bluetooth® descargan e instalan automáticamente el nuevo firmware.

- La descarga se inicia cuando hay nuevo firmware disponible y la batería está conectada a Husqvarna Connect o Husqvarna Fleet Services™.
- El indicador Bluetooth® se enciende cuando la batería está conectada y su pantalla está activa.
- La descarga del firmware tarda entre 10 y 15 minutos. Si la descarga se interrumpe o falla, la batería intentará descargar el firmware de nuevo.
- La instalación del firmware se inicia cuando se completa la descarga y la batería no está en uso o no se está cargando.
- Los indicadores de estado de carga parpadean durante la instalación del firmware. La instalación del firmware tarda entre 10 y 15 segundos.

### Carga de la batería

Cargue la batería antes de su primer uso. Una batería nueva está cargada al 30 %. Pulse el botón de estado de carga para consultar el nivel de carga de la batería. Utilice y guarde la batería únicamente dentro

del intervalo de temperaturas recomendado. Consulte *Intervalo de temperaturas recomendado en la página 51*.

1. Coloque la batería en el cargador. Si el indicador de carga del cargador se enciende, la batería está conectada correctamente al cargador.
2. La batería está completamente cargada cuando todos sus indicadores de carga están encendidos.
3. Retire la batería del cargador.

### Estado de la carga de la batería

Una batería de ion-litio Husqvarna se puede cargar o utilizar sea cual sea su nivel de carga.

Indicadores del estado de carga	Estado de la batería (estado de carga)
4 indicadores están encendidos	La batería tiene una carga del 76 % al 100 %.
3 indicadores están encendidos	La batería tiene una carga del 51 % al 75 %.
2 indicadores están encendidos	La batería tiene una carga del 26 % al 50 %.
1 indicador está encendido	La batería tiene una carga del 11 % al 25 %.
1 indicador parpadea	La batería tiene una carga del 0 % al 10 %.

## Resolución de problemas

### Resolución de problemas

Síntomas	Causa	Acción
Un indicador de estado de carga parpadea. En algunos productos (dependiendo de la versión de firmware), también parpadea el indicador de error de la batería.	La batería está descargada.	Cargue la batería.
El indicador de error de la batería parpadea.	Carga de trabajo elevada y temperatura de la batería muy baja.	Haga que la batería se caliente. Por ejemplo, colóquela en un lugar resguardado o trabaje a baja velocidad hasta que la batería esté caliente.
	La batería no funciona. El rango de funcionamiento de la batería está en su límite.	Extraiga la batería del producto. Espere 5 minutos. Pulse el botón del estado de carga.
El indicador de temperatura de la batería está encendido.	La batería está demasiado fría o demasiado caliente para utilizarla.	Mantenga la batería a una temperatura ambiente entre -10 °C y 40 °C (14 °F y 104 °F). Cuando la batería alcance la temperatura adecuada, podrá usarse de nuevo.

Síntomas	Causa	Acción
El indicador de temperatura de la batería parpadea.	La batería está cerca del límite de temperatura.	Reduzca la velocidad o la carga de trabajo. Mantenga la batería a la temperatura recomendada de entre +10 °C y +30 °C (50 °F y 86 °F) para un rendimiento óptimo.
El indicador de temperatura de la batería está encendido mientras la batería está en el cargador.	Desviación de la temperatura; la batería está demasiado fría o demasiado caliente para cargarla.	Deje que la batería se enfríe o llévela a un lugar resguardado para que se caliente. Cuando la batería alcance la temperatura adecuada, podrá cargarse de nuevo. Asegúrese de usar el cargador con una temperatura ambiente de entre 5 °C y 40 °C (41 °F y 104 °F). Proteja el cargador de batería de la luz del sol. Si el problema persiste, póngase en contacto con su distribuidor.
El indicador de error de la batería se enciende.	La batería tiene un error crítico.	Acuda a un taller de servicio Husqvarna.

## Transporte, almacenamiento y eliminación

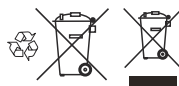
### Transporte y almacenamiento

- Las baterías de iones de litio incluidas cumplen los requisitos de la normativa sobre mercancías peligrosas.
- Es obligatorio cumplir el requisito especial indicado en el paquete y en las etiquetas para los transportes comerciales, incluidos los realizados por terceros y agencias de transporte.
- Hable con alguien con formación especial en materiales peligrosos antes de enviar el producto. Respete todas las normativas nacionales aplicables.
- Cubra con cinta los contactos cuando ponga la batería en un paquete. Embale la batería en un paquete bien ajustado para evitar daños y accidentes.
- No almacene la batería en lugares donde pueda generarse electricidad estática. No guarde la batería en una caja metálica.
- Guarde la batería en un lugar seco, resguardado de las heladas, limpio y que tenga una temperatura adecuada.
- Utilice y guarde la batería únicamente dentro del intervalo de temperaturas recomendado. Consulte *Intervalo de temperaturas recomendado en la página 51*.

- Cargue la batería entre el 30 % y el 50 % antes de guardarla durante periodos de tiempo prolongados.
- Limpie la batería antes de guardarla.

### Eliminación

El símbolo significa que el producto no puede desecharse con los residuos domésticos. Recíclelo a través del sistema local de recogida de equipos eléctricos y electrónicos. Esto contribuye a una gestión adecuada de los residuos al final de la vida útil de los productos. Póngase en contacto con las autoridades locales, los servicios de recogida de residuos domésticos o su distribuidor Husqvarna para obtener más información. La eliminación incorrecta puede tener efectos negativos en el medioambiente y la salud humana, debido a la posible presencia de sustancias peligrosas.



**Nota:** El símbolo aparece en el producto o el paquete del producto.

## Datos técnicos

### Marcas comerciales registradas

Los logotipos y las denominaciones *Bluetooth®* son marcas comerciales registradas propiedad de *Bluetooth*

*SiG, inc.* y su uso por parte de Husqvarna está sujeto a una licencia.

## Datos técnicos

Banda de frecuencias, MHz	2400 – 2483,5
Potencia máxima de transmisión, dBm	4

Para conocer otros datos técnicos, consulte la placa de características de la batería.

## Intervalo de temperaturas recomendado



**PRECAUCIÓN:** Una carga de trabajo elevada cuando la temperatura de la batería es inferior a 0 °C (32 °F) puede provocar un error temporal de la batería.



**PRECAUCIÓN:** Utilice y guarde la batería únicamente dentro del intervalo de temperaturas recomendado. Si la temperatura no se encuentra en este intervalo, la batería no funcionará correctamente.



**PRECAUCIÓN:** La batería no se carga si su temperatura no se encuentra dentro del intervalo de temperaturas recomendado.

Temperatura de uso	Temperatura de carga	Temperatura de almacenamiento
-10 °C–40 °C/ 14 °F–104 °F	5 °C–40 °C/ 41 °F–104 °F	5 °C–25 °C/ 41 °F–77 °F

## Cargadores de batería homologados

Tabla

Cargador de batería	QC330	QC500	40-C500X	40-C750X	40-C1000X4
Tensión de salida, V	36	36	36	36	36
Tensión de entrada, V	100–240	100–240	100–240	100–240	100–240
Frecuencia, Hz	50–60	50–60	50–60	50–60	50–60
Potencia, W	330	500	500	750	1000 <sup>31</sup>

Tabla

Cargador de batería	40-C500X	40-C750X
Tensión de salida, V	36	36
Tensión de entrada, V	100–240	100–240
Frecuencia, Hz	50–60	50–60
Potencia, W	500	750

<sup>31</sup>

La potencia máxima cuando se carga solo una batería es de 600 W.

# Declaración de conformidad

## Declaración de conformidad

Husqvarna AB, SE-561 82 Huskvarna (Suecia), tel.:  
+46 36 146500 declaramos bajo nuestra exclusiva  
responsabilidad que el producto:

<b>Descripción</b>	<b>Batería recargable de Ion-Litio</b>
<b>Marca</b>	Husqvarna®
<b>Tipo/Modelo</b>	40-B140X, 40-B220X, 40-B330X, 40-B360X, 40-B540X
<b>Identificación</b>	Números de serie a partir del año 2026

Cumple con las siguientes directivas y normativas de la UE en su versión modificada:

<b>Directiva/Norma</b>	<b>Descripción</b>
2014/30/UE	"relativa a la compatibilidad electromagnética"
2014/53/UE <sup>32</sup>	"relativa a equipos de radio"
(UE) 2023/1542	"relativa a las baterías y las baterías usadas"

Y que se aplican las especificaciones técnicas o los estándares siguientes:

EN IEC 62133-2:2017+A1:2021

EN IEC 62133-2:2017<sup>33</sup>

IEC 63370:2022

EN 61000-6-1:2007/EN IEC 61000-6-1:2019,  
EN 61000-6-3:2007+A1:2011+AC:2012, EN IEC  
61000-6-3:2021<sup>34</sup>

ETSI EN 301 489-1 v.1.9.2, ETSI EN 301 489-17  
v.3.2.4, ETSI 300 328 v.2.2.2<sup>35</sup>

EN IEC 63000:2018

Otras pruebas relacionadas con el transporte de mercancías peligrosas;

UN 38.3 Edición 7

Huskvarna, 10/04/2026



Lars Roos

Director de Investigación y Desarrollo, Centro de  
Competencia en Baterías

Husqvarna AB (Suecia)

Responsable de la documentación técnica



<sup>32</sup> Aplicable a las versiones que incluyen comunicación Bluetooth®.

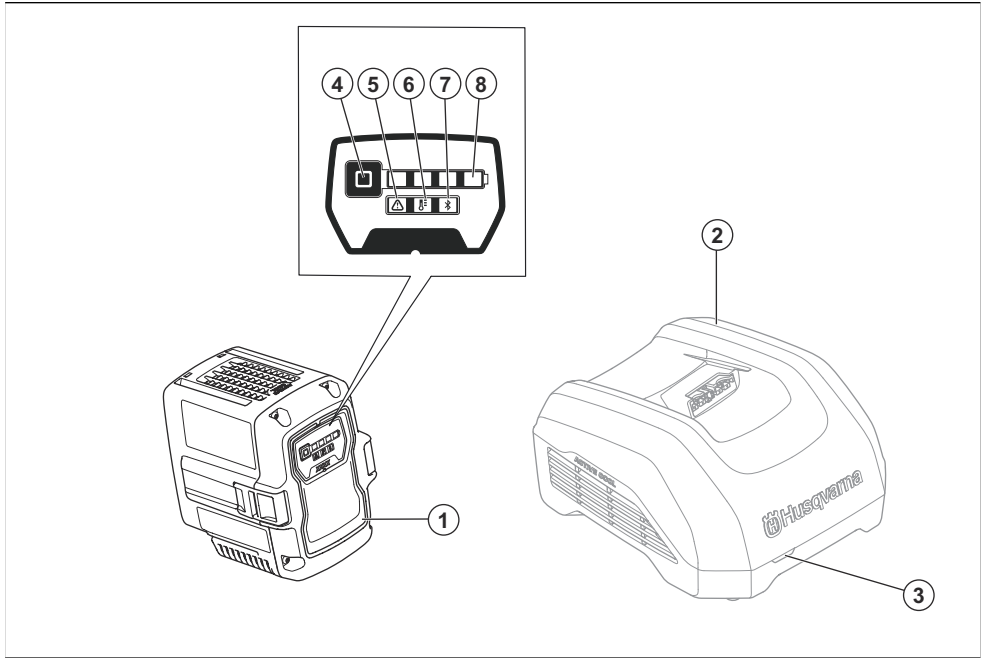
<sup>33</sup> Aplicable solo a 40-B220X.

<sup>34</sup> También se han llevado a cabo ensayos de compatibilidad electromagnética (EMC) en distintos productos que utilizan esta batería.

<sup>35</sup> Aplicable a las versiones que incluyen comunicación Bluetooth®.

# Sissejuhatus

## Toote tutvustus



1. Aku
2. Akulaadija (lisatarvik)
3. Laadimise ja tõrke märgutuli
4. Aku laetustaseme nupp
5. Vea indikaator
6. Aku temperatuuri näidik
7. Bluetooth® näidik (kui on kohaldatav)
8. Aku laetustaseme indikaator

## Sümbolid tootel



Olge ettevaatlik ja kasutage toodet õigesti. Toode võib tekitada kasutajale või teistele raske või surmava kehavigastuse.



Lugege hoolikalt läbi aku, heakskiidetud laadija ja seda akut kasutava juhtmeta toote kasutusjuhend. Kasutusjuhendid leiate aadressilt [www.husqvarna.com/support](http://www.husqvarna.com/support). Otsige mudeli nime järgi. Enne toote kasutamist veenduge, et kõik juhised oleksid arusaadavad.



Ohtlik pinge.



Tohib kasutada vihmaga.



Kaitske veepritsmete eest.



See seade vastab kehtivatele EÜ direktiividele ja määrustele.



Toimetage see toode elektri- ja elektroonikajäätmete heakskiidetud vastuvõtupunkti.



Toode või toote pakend ei kuulu olmejäätmete hulka.



Ärge kastke akut vette.



Kui toode kasutab *Bluetooth*<sup>®</sup> juhtmeta tehnikat. Sümbol *Bluetooth*<sup>®</sup> on näidatud toote nimesildil. Vt jaotist *Bluetooth*<sup>®</sup> juhtmevaba tehnoloogia lk 55.

**Märkus:** Tootel olevad ülejäänud sümbolid/tähised viitavad teatud ärivaldkondade sertifitseerimisnõuetele.

## Toote kirjeldus

Husqvarna 40-B140X, 40-B220X, 40-B330X, 40-B360X, 40-B540X on kaasaskantav 36 V liitiumioonaku Husqvarna akutoitel töötavate tööriistade jaoks.

Osana oma pidevast toodete edasiarendusprotsessist jätab Husqvarna endale õiguse muuta seadmete disaini ja/või välimust ilma sellest eelnevalt teavitamata.

## Kasutusotstarve

Need akud on mõeldud Husqvarna akutoitel tööriistadele. Lugege elektritööriista kasutusjuhendit veendumaks, et aku on elektritööriista jaoks heaks kiidetud.

**Märkus:** Kasutamist võivad piirata riiklikud või kohalikud määrused. Järgige kehtivaid eeskirju.

## Ohutus

### Ohutuse määratlused

Mõistetega „hoiatus“, „ettevaatus“ ja „märkus“ juhitakse tähelepanu eriti olulistele kohtadele kasutusjuhendis.



**HOIATUS:** Tähistab kasutusjuhendi juhiste eiramise korral kasutaja või kõrvalseisjate kehavigastuse või surmaga lõppeva õnnetuse ohtu.

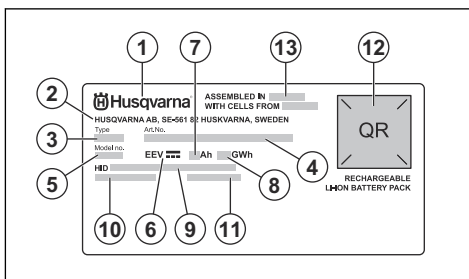


**ETTEVAATUST:** Tähistab kasutusjuhendi juhiste eiramise korral seadme, muude esemete või läheduses asuvate objektide kahjustamise ohtu.

**Märkus:** Tähistab antud olukorras vajalikku lisateavet.

Need akud on mõeldud kasutamiseks heakskiidetud akulaadijatega. Vt jaotist *Heakskiidetud akulaadijad lk 58*.

## Andmesilt



1. Kaubamärk
2. Tootja aadress
3. Tüüp
4. Tootenumber
5. Mudeli number
6. Pinge
7. Ampertunnid
8. Vatt-tunnid
9. Husqvarna ID (HID)
10. Akuelemendi tüüp
11. Seerianumber koos tootmiskuupäevaga
12. Skannitav kood
13. Monteeritud riigis

## Ohutus

### Tähtsad ohutuseeskirjad



**HOIATUS:** Lugege läbi kõik ohutushoiatused ja kõik juhised. Hoiatuste ja juhiste eiramine võib põhjustada elektrilöögi, tulekahju ja/või raskeid vigastusi.

**Märkus:** Hoidke kõik hoiatused ja juhendid alles.

- Husqvarna originaalakude laadimiseks kasutage ainult Husqvarna heakskiidetud akulaadijaid. Akud on kodeeritud.
- Kasutage ettevõtte Husqvarna toodete vooluallikana üksnes taaslaetavaid ettevõtte Husqvarna heakskiidetud akusid. Kehavigastuse vältimiseks ärge kasutage akut muude seadmete toiteallikana.
- Ärge püüdke akut lahti võtta ega parandada. Remonttöid tohib teostada vaid volitatud edasimüüja.

- Vältige aku kokkupuudet otsese päikesevalguse, kuumuse ja lahtise leegiga. Aku võib põhjustada põletusi ja/või keemilisi põletusi.
- Ärge kunagi kasutage kahjustunud akut ega akulaadijat.
- Vältige aku pörutamist.
- Hoidke aku eemal lastest.
- Aku tuleb hoida puhta ja kuivana.

- Kui akuklemmid määrduvad, puhastage need kuiva puhta lapiga.
- Kui aku on täis laetud, eemaldage aku akulaadijast.
- Kui te toodet ei kasuta või transpordite toodet teise kohta, ühendage aku lahti.
- Hoiustage akusid eemal metallesemetest (nt naelad, kruvid, ehted).

## Töö

### Töö

- Kasutage ja hoiustage akut ainult soovitatud temperatuurivahemikus. Vt jaotist *Soovituslik temperatuurivahemik lk 57*.
- Enne kasutamist aku käivitamiseks vajutage aku laetustaseme nuppu.
- Aku tuleb enne esimest kasutamist laadida. Kasutage alati ettevõtte Husqvarna heakskiidetud akulaadijat. Vt jaotist *Heakskiidetud akulaadijad lk 58*.
- Kui aku temperatuuri märgutuli vilgub, vähendage töökoormust ja/või kiirust.
- Aku laetustaseme nägemiseks vajutage aku laetustaseme nuppu.

### Husqvarna Connect

Husqvarna Connect on mobiilsideseadmetele mõeldud tasuta rakendus. Rakendus Husqvarna Connect annab teie Husqvarna tootele lisafunktsionaalsuse.

- Täiendav tooteteave.
- Toote osade ja hoolduse alane teave ja abi.

Lisateavet Husqvarna Connect kohta vt jaotisest [www.husqvarna.com](http://www.husqvarna.com).

**Märkus:** Kõigis riikides ei saa rakendust Husqvarna Connect alla laadida. Lisateabe saamiseks võtke ühendust hooldusesindusega.

#### Toote Husqvarna Connect kasutamise alustamine

1. Laadige rakendus Husqvarna Connect alla oma mobiilseadmesse.
2. Registreeruge Husqvarna Connect rakenduses.
3. Toote lisamiseks järgige Husqvarna Connect rakenduse juhiseid.

**Märkus:** Kõigis riikides ei saa rakendust Husqvarna Connect alla laadida. Lisateabe saamiseks võtke ühendust hooldusesindusega.

### Husqvarna Fleet Services™

Husqvarna Fleet Services™ on pilvelahendus, mis annab äriotstarbeline seadmepargi haldurile ülevaate kõigist masinatest. Husqvarna Fleet Services™ on saadaval nii veebiteenuse kui ka rakendusena.

Lisateavet Husqvarna Fleet Services™ kohta vt [www.husqvarna.com](http://www.husqvarna.com).

**Märkus:** Husqvarna Fleet Services™ pilvelahendus pole kõikidel turgudel saadaval.

#### Tootega ühenduse loomine Husqvarna Fleet Services™ kaudu

1. Laadi rakendus Husqvarna Fleet Services™ alla oma mobiilseadmesse.
2. Logige rakendusse Husqvarna Fleet Services™ sisse.
3. Järgige toote ja Husqvarna Fleet Services™ sidumise juhiseid.

#### Bluetooth® juhtmevaba tehnoloogia

Sisseehitatud Bluetooth® juhtmevaba tehnoloogiaga seadmeid saab ühendada mobiilseadmega.

Kui mobiilseade on tootega ühendatud, süttib *Bluetooth®* tehnoloogia sümbol.



**Märkus:** Selle seadme vastavust kohaldatavatele raadiosagedusliku kiirguse nõuetele on hinnatud. Seadet saab kasutada ilma piiranguteta mobiilsetes kokkupuutetingimustes.

#### Püsivara värskendamine õhu kaudu (sisseehitatud funktsiooniga Bluetooth® akude puhul)

Funktsiooniga Bluetooth® akude puhul toimub uue püsivara allalaadimine ja installimine automaatselt.

- Allalaadimine käivitub siis, kui uus püsivara on saadaval ja aku on ühendatud järgmisega: Husqvarna Connect või Husqvarna Fleet Services™.
- Näidik Bluetooth® kuvatakse siis, kui aku on ühendatud ja akunäidik on aktiivne.
- Püsivara allalaadimiseks kulub 10–15 minutit. Kui allalaadimine peatub või nurjub, proovib aku püsivara uuesti alla laadida.

- Püsivara installimine algab siis, kui allalaadimine on lõpetatud ning akut ei kasutata ega laadita.
- Laetustaseme märgutuled pulseerivad püsivara installimise ajal. Püsivara installimiseks kulub 10–15 sekundit.

### Aku laadimine

Enne esimest kasutuskorda laadige aku täis. Uus aku on laetud 30%. Aku laetustaseme nägemiseks vajutage aku laetustaseme nuppu. Kasutage ja hoiustage akut ainult soovitatud temperatuurivahemikus. Vt jaotist *Soovituslik temperatuurivahemik lk 57*.

1. Asetage aku akulaadijasse. Kui akul süttib laadimise märgutuli, on aku õigesti akulaadijasse ühendatud.
2. Aku on täielikult laetud siis, kui akul põlevad kõik laetustaseme märgutuled.
3. Eemaldage aku laadijast.

### Aku laadimiselek

Husqvarna liitium-ioonakut saab laadida ja kasutada kõikidel laadimistasemetel.

Aku laetuse taseme indikaatorid	Aku olek (laetustase)
Neli laadimistuld põleb	Aku on 76–100% ulatuses laetud.
Kolm laadimistuld põleb	Aku on 51–75% ulatuses laetud.
Kaks laadimistuld põleb	Aku on 26–50% ulatuses laetud.
Üks märgutuli põleb	Aku on 11–25% ulatuses laetud.
Üks märgutuli vilgub	Aku on 0–10% ulatuses laetud.

---

## Törkeotsing

---

### Törkeotsing

Sümptomid	Põhjus	Toiming
Laetustaseme üks märgutuli vilgub. Mõne püsivaraversiooniga toodete puhul vilgub ka aku veaindikaator.	Aku on tühi.	Laadige akut.
Aku törke märgutuli vilgub.	Suur töökoormus koos väga madala aku temperatuuriga.	Laske akul soojeneda. Näiteks teisaldage see siseruumidesse või töötage madalal kiirusel, kuni aku on soe.
	Aku ei tööta. Aku tööulatus on saavutanud oma liimiidi.	Eemaldage aku seadmest. Oodake 5 minutit. Vajutage aku laetustaseme nuppu.
Aku temperatuuri märgutuli põleb.	Aku on kasutamiseks liiga külm või liiga kuum.	Hoidke akut keskkonnas, mille temperatuur jääb vahemikku -10...40 °C. Kui aku on saavutanud õige temperatuuri, saab seda uuesti kasutada.
Aku temperatuuri märgutuli vilgub.	Aku temperatuuripiirang on peagi saavutatud.	Vähendage kiirust ja/või töökoormust. Optimaalse jõudluse tagamiseks hoidke akut eelistatud temperatuuril +10 °C kuni +30 °C.

Sümptomid	Põhjus	Toiming
Aku temperatuuri märgutuli põleb, kui aku on laadimas.	Vale temperatuur, aku on laadimiseks liiga külm või liiga kuum.	Laske akul jahtuda või pange see siseruumi soojenema. Kui aku on saavutanud õige temperatuuri, saab seda uuesti laadida. Veenduge, et kasutate laadijat keskkonnas, kus õhuperaku temperatuur jääb vahemikku 5–40 °C. Hoidke laadija eemal päikesevalgusest. Kui probleem ei lahene, pöörduge edasimüüja poole.
Süttib aku tõrke märgutuli.	Akus esineb kriitiline tõrge.	Pöörduge ettevõtte Husqvarna hooldusesinduse poole.

## Transportimine, hoiolepanek ja utiliseerimine

### Transport ja hoistamine

- Tarnitud liitiumioonakud vastavad ohtlike ainete eeskirjade nõuetele.
- Täitke kaubanduslikule transpordile kehtestatud pakendamise ja märgistamise erinõudeid (sh kolmandate osapoolte või ekspediiitorite teenuseid kasutades).
- Enne seadme lähetamist konsulteerige isikuga, kes on läbinud ohtlike ainete käitlemise alase erikoolituse. Järgige kõiki kehtivaid riiklikke eeskirju.
- Enne aku pakendisse asetamist katke kontaktid isoleerteibiga. Kahjustuste ja õnnetuste vältimiseks asetage aku pakendisse tihkelt.
- Ärge hoidke akut kohas, kus võib tekkida staatiline elekter. Ärge hoidke akut metallkastis.
- Pange aku kuiva, külmumiskindlasse, puhtasse ja sobiva temperatuuriga kohta.
- Kasutage ja hoistage akut ainult soovitatud temperatuurivahemikus. Vt jaotist *Soovituslik temperatuurivahemik lk 57*.
- Laadige enne aku pikemaajalist hoistamist see 30–50% ulatuses täis.

- Puhastage aku enne hoistamist.

### Utiliseerimine

See sümbol tähendab, et seade ei kuulu olmejäätmete hulka. Taaskäideldel see elektri- ja elektroonikaseadmete kogumissüsteemi kaudu. See aitab tagada kasutusea lõppu jõudnud seadmete nõuetekohase jäätmekäitluse. Lisateabe saamiseks võtke ühendust kohalike ametiasutuste, olmejäätmete teenuste, edasimüüja või jaemüüjaga. Vale kõrvaldamine võib potentsiaalselt ohtlike ainete sisalduse tõttu kahjustada keskkonda ja inimeste tervist.



**Märkus:** Sümbol asub tootel või toote pakendil.

## Tehnilised andmed

### Registreeritud kaubamärgid

Bluetooth®-i sõnamärk ja logod on ettevõtte Bluetooth SIG, inc. registreeritud kaubamärgid ja ettevõtte Husqvarna kasutab neid litsentsi alusel.

### Tehnilised andmed

Sagedusalad, MHz	2400 kuni 2483,5
Max ülekantav võimsus, dBm	4

Muud tehnilised andmed leiate aku andmesildilt.

### Soovituslik temperatuurivahemik



**ETTEVAATUST:** Suur töökoormus, kui aku temperatuur on alla 0 °C, võib põhjustada ajutise tõrke.



**ETTEVAATUST:** Kasutage ja hoistage akut ainult soovitatud temperatuurivahemikus. Kui temperatuur ei ole selles vahemikus, ei tööta aku korralikult.



**ETTEVAATUST:** Akut ei laeta, kui selle temperatuur ei ole soovitatud temperatuurivahemikus.

Kasutustemperatuur	Laadimistemperatuur	Hoiustamistemperatuur
-10–40 °C / 14–104 °F	5–40 °C / 41–104 °F	5–25 °C / 41–77 °F

## Heakskiidetud akulaadijad

Tabel

Akulaadija	QC330	QC500	40-C500X	40-C750X	40-C1000X4
Väljundpinge, V	36	36	36	36	36
Sisendpinge, V	100-240	100-240	100-240	100-240	100-240
Sagedus, Hz	50-60	50-60	50-60	50-60	50-60
Võimsus, W	330	500	500	750	1000 <sup>36</sup>

Tabel

Akulaadija	40-C500X	40-C750X
Väljundpinge, V	36	36
Sisendpinge, V	100-240	100-240
Sagedus, Hz	50-60	50-60
Võimsus, W	500	750

## vastavusdeklaratsioon

### Vastavusdeklaratsioon

Husqvarna AB, SE-561 82 Huskvarna, ROOTSI, tel: +46 36 146500, kinnitab ainuvastutusel, et toode:

Kirjeldus	Laetav liitiumioonaku
Kaubamärk	Husqvarna®
Tüüp/mudel	40-B140X, 40-B220X, 40-B330X, 40-B360X, 40-B540X
Identifitseerimine	Seerianumbrid alates 2026. aastast

vastavad järgmistele EL-i direktiividele ja määrustele, mida on muudetud järgmiselt.

Direktiiv/eeskiri	Kirjeldus
2014/30/EL	„elektromagnetilise ühilduvuse direktiiv“
2014/53/EL <sup>37</sup>	„raadioseadmete direktiiv“
(EL) 2023/1542	„akude ja akujäätmete direktiiv“

ja et kohalduvad järgmised standardid ja/või tehnilised spetsifikatsioonid:

EN IEC 62133-2:2017+A1:2021

EN IEC 62133-2:2017<sup>38</sup>

IEC 63370:2022

EN 61000-6-1:2007/EN IEC 61000-6-1:2019,  
EN 61000-6-3:2007+A1:2011+AC:2012, EN IEC  
61000-6-3:2021<sup>39</sup>

ETSI EN 301 489-1 v.1.9.2, ETSI EN 301 489-17  
v.3.2.4, ETSI 300 328 v.2.2.2<sup>40</sup>

EN IEC 63000:2018

Muud testid, kuna see on seotud ohtlike kaupade veoga;

UN 38.3, versioon 7

Huskvarna, 10.04.2026



Lars Roos

Teadus- ja arendustegevuse direktor, akude kompetentsikeskus

Husqvarna AB, ROOTSI

Tehnilise dokumentatsiooni eest vastutaja



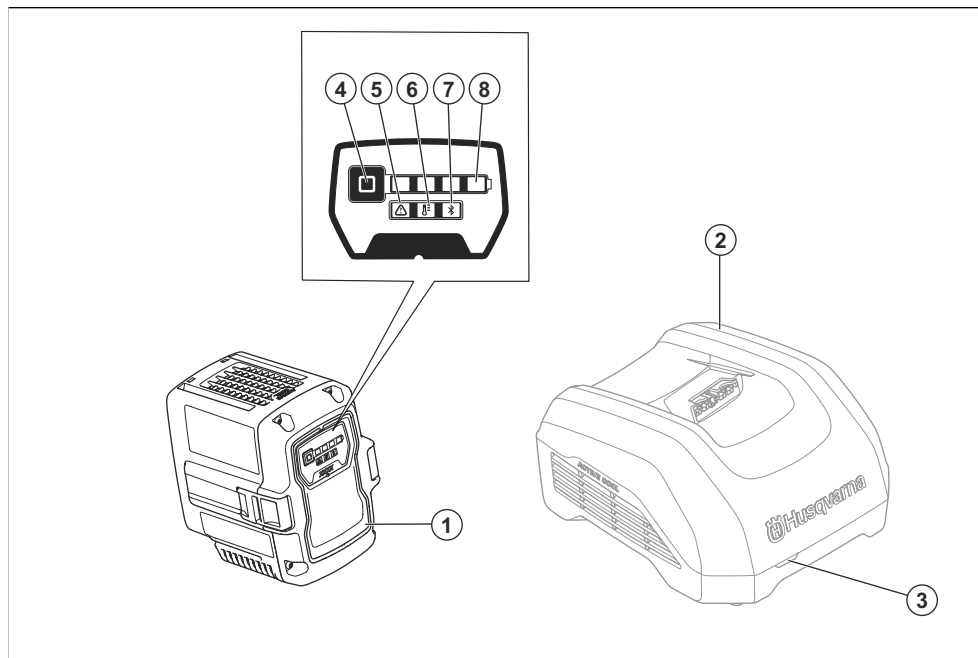
<sup>37</sup> Kehtib versioonidele, mis sisaldavad Bluetooth® sidet.

<sup>38</sup> Kehtib üksnes 40-B220X mudeli puhul.

<sup>39</sup> Elektromagnetilise ühilduvuse (EMC) testimine viidi läbi ka erinevate toodetega, kasutades akut.

<sup>40</sup> Kehtib versioonidele, mis sisaldavad Bluetooth® sidet.

## Tuotteen kuvaus



1. Akku
2. Akkulaturi (lisävaruste)
3. Latauksen ja virheen merkkivalo
4. Varaustilan ilmaisinpainike
5. Virheen merkkivalo
6. Akun lämpötilan ilmaisim
7. Bluetooth®-merkkivalo (jos saatavilla)
8. Lataustilan ilmaisim

## Tuotteen symbolit



Ole varovainen ja käytä tuotetta oikein. Tuote voi aiheuttaa käyttäjälle tai sivullisille vakavia vammoja tai kuoleman.



Lue akun, hyväksytyen laturin ja akkua käyttävän langattoman tuotteen käyttöohje huolellisesti. Ooppaat löytyvät osoitteesta [www.husqvarna.com/support](http://www.husqvarna.com/support). Etsi mallin nimellä. Varmista, että ymmärrät kaikki ohjeet, ennen kuin käytät tuotetta.



Vaarallinen jännite.



Tuotetta voi käyttää sateella.



Suojattu roiskuvalla vedellä.



Tuote täyttää sovellettavien EY-direktiivien ja säännösten vaatimukset.



Vie laite asianmukaiseen sähkö- ja elektroniikkalaitteiden keräyspisteeseen.



Laitetta tai sen pakkausta ei saa hävittää kotitalousjätteen mukana.



Älä upota akkua veteen.



Jos tuotteessa on langaton *Bluetooth®*-tekniikka: Tuotteen nimitarraan on merkitty symboli *Bluetooth®*. Katso kohta *Langaton Bluetooth®-teknologia sivulla 62*.

**Huomautus:** Muita tuotteen symboleita/tarroja tarvitaan joillakin markkina-alueilla ilmaisemaan sertifiointivaatimuksia.

## Tuotekuvaus

Husqvarna 40-B140X, 40-B220X, 40-B330X, 40-B360X, 40-B540X on kannettava, ladattava 36 V:n litiumioniakku akkukäyttöisiin Husqvarna-työkaluihin.

Jatkuvan tuotekehitysprosessin vuoksi Husqvarna pidättää oikeuden muuttaa tuotteiden rakennetta ja/tai ulkonäköä ilman ennakoilmoitusta.

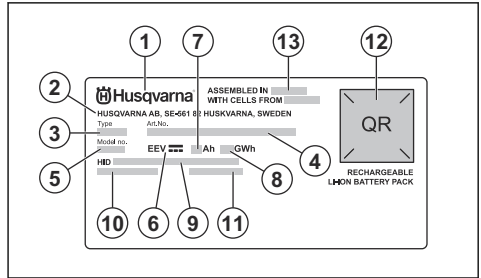
## Käyttötarkoitus

Nämä akut on tarkoitettu akkukäyttöisiin Husqvarna-työkaluihin. Lue sähkötyökalun käyttöohje ja varmista, että akkua voi käyttää sähkötyökalussa.

**Huomautus:** Käyttöä saatetaan säädellään kansallisilla tai paikallisilla määräyksillä. Noudata

sovellettavia säädöksiä. Akut on tarkoitettu käytettäviksi hyväksytyjen akkulatureiden kanssa. Katso kohta *Hyväksytyt akkulaturit sivulla 65*.

## Tyyppikilpi



1. Tuotemerkki
2. Valmistajan osoite
3. Tyyppi
4. Tuotenumero
5. Mallinumero
6. Jännite
7. Ampeeritunnit
8. Wattitunnit
9. Husqvarna-tunniste (HID)
10. Akkukennon tyyppi
11. Sarjanumero ja valmistuspäivämäärä
12. Skannattava koodi
13. Kokoonpanomaa

## Turvallisuus

### Turvallisuusmääritelmät

Varoituksia, huomioita ja huomautuksia käytetään, kun jotakin käyttöohjeen osaa halutaan erityisesti korostaa.



**VAROITUS:** Tätä käytetään, jos käyttöohjeen noudattamatta jättämisestä voi seurata käyttäjän tai sivullisen vamma tai kuolema.



**HUOMAUTUS:** Tätä käytetään, jos käyttöohjeen noudattamatta jättämisestä voi seurata tuotteen, muiden materiaalien tai ympäristön vaurioituminen.

**Huomautus:** Tätä käytetään tietyissä tilanteissa tarvittavien lisätietojen antamiseen.

### Tärkeitä turvaohjeita



**VAROITUS:** Lue kaikki turvavaroitukset ja kaikki ohjeet. Varoitusten ja ohjeiden noudattamisen laiminlyöminen voi johtaa sähköiskuun, tulipaloon ja/tai vakavaan tapaturmaan.

**Huomautus:** Pidä kaikki varoitukset ja ohjeet tallessa myöhempää käyttöä varten.

- Käytä vain hyväksytyjä Husqvarna-akkulatureita alkuperäisten Husqvarna-akkujen lataamiseen. Akkujen ohjelmisto on suojattu.
- Käytä ladattavia Husqvarna-hyväksytyjä akkuja vain kyseisten Husqvarna-tuotteiden virtalähteinä.

- Tapaturmien välttämiseksi akkua ei saa käyttää muiden laitteiden virtalähteenä.
- Älä yritä purkaa tai korjata akkua. Korjauksia saavat tehdä vain valtuutetut jälleenmyyjät.
- Pidä akku suojassa auringonvalolta, kuumuudelta ja avotulelta. Akku voi aiheuttaa palo- ja/tai syöpymisvammoja.
- Älä käytä vaurioitunutta akkua tai akkulaturia.
- Älä altista akkua mekaanisille iskuille.

- Pidä akku poissa lasten ulottuvilta.
- Pidä akku puhtaana ja kuivana.
- Jos akun liittimet likaantuvat, puhdista ne puhtaalla ja kuivalla rätillä.
- Irrota akku laturista, kun se on latautunut täyteen.
- Irrota akku tuotteesta, kun tuote ei ole käytössä ja kuljetuksen ajaksi.
- Säilytä akkuja varastossa kaukana metalliesineistä kuten nauloista, ruuveista ja koruista.

## Käyttö

### Käyttö

- Käytä ja säilytä akkua vain suositellussa lämpötilassa. Katso kohta *Suosittelu lämpötila-alue sivulla 64*.
- Käynnistä akku ennen käyttöä painamalla akun varaustilan painiketta.
- Akku on ladattava ennen ensimmäistä käyttökertaa. Käytä vain Husqvarna-hyväksytyä akkulaturia. Katso kohta *Hyväksytyt akkulaturit sivulla 65*.
- Vähennä kuormaa ja/tai nopeutta, kun akun lämpötilan ilmaisin vilkkuu.
- Näet akun varaustilan painamalla akun varaustilan painiketta.

### Husqvarna Connect

Husqvarna Connect on ilmainen mobiililaitesovellus. Husqvarna Connect -sovelluksella saat lisätoimintoja Husqvarna-laitteeseen.

- Enemmän tuotetietoja.
- Tietoja koneen osista ja huolto-ohjeita.

Lisätietoja Husqvarna Connect -palvelusta on osoitteessa [www.husqvarna.com](http://www.husqvarna.com).

**Huomautus:** Husqvarna Connect -sovellus ei ole ladattavissa kaikilla markkina-alueilla. Lisätietoja saat huoltoliikkeestä.

### Husqvarna Connect -käytön aloittaminen

1. Lataa Husqvarna Connect -sovellus mobiililaitteeseesi.
2. Rekisteröidy Husqvarna Connect -sovelluksessa.
3. Lisää tuote Husqvarna Connect -sovelluksen ohjeiden mukaan.

**Huomautus:** Husqvarna Connect -sovellus ei ole ladattavissa kaikilla markkina-alueilla. Lisätietoja saat huoltoliikkeestä.

### Husqvarna Fleet Services™

Husqvarna Fleet Services™ on pilvipalveluratkaisu, joka tarjoaa kaupallisen kalustokannan hallinnoijalle ajantasaiset tiedot kaikista tuotteista. Husqvarna

Fleet Services™ on saatavilla verkkopalveluna ja sovelluksena. Lisätietoja Husqvarna Fleet Services™ -palvelusta on osoitteessa [www.husqvarna.com](http://www.husqvarna.com).

**Huomautus:** Husqvarna Fleet Services™ -pilvipalvelu ei ole saatavilla kaikilla markkina-alueilla.

### Laitteen yhdistäminen Husqvarna Fleet Services™ -palveluun

1. Lataa Husqvarna Fleet Services™ -sovellus mobiililaitteeseesi.
2. Kirjautu sisään Husqvarna Fleet Services™ -sovellukseen.
3. Nouda ohjeita laitteen liittämiseksi Husqvarna Fleet Services™ -palveluun.

### Langaton Bluetooth®-teknologia

Tuotteet, joissa on langaton Bluetooth®-teknologia, voivat muodostaa yhteyden mobiililaitteisiin.

Langattoman Bluetooth®-teknologian symboli syttyy, kun tuotteeseen yhdistetään mobiililaitte.



**Huomautus:** Tämän laitteen on arvioitu täyttävän radiotaajuudelle (RF) altistumista koskevat vaatimukset. Laitetta voi käyttää rajoituksetta olosuhteissa, joissa tarvitaan kannettavaa akkua.

### Automaattiset langattomat laiteohjelmapäivitykset (akut, joissa on sisäänrakennettu Bluetooth®)

Akuissa, joissa on Bluetooth® uudet laiteohjelmistot ladataan ja asennetaan automaattisesti.

- Lataus alkaa, kun uusi laiteohjelmisto on saatavilla ja akku on liitetty Husqvarna Connect- tai Husqvarna Fleet Services™ -sovellukseen.
- Bluetooth®-merkkivalo palaa, kun akku on liitetty akunäytön ollessa aktiivinen.

- Laiteohjelmiston lataaminen kestää 10–15 minuuttia. Jos lataus keskeytyy tai epäonnistuu, akku yrittää ladata laiteohjelmiston uudelleen.
- Laiteohjelmiston asennus alkaa, kun lataus on kokonaan valmis ja akku ei ole käytössä tai latauksessa.
- Varaustilan merkkivalot vilkkuvat asennuksen aikana. Laiteohjelmiston asennus kestää 10–15 sekuntia.

## Akun lataaminen

Lataa akku ennen ensimmäistä käyttökertaa. Uuden akun varaustaso on 30 %. Näet akun varaustilan painamalla akun varaustilan painiketta. Käytä ja säilytä akkua vain suositellussa lämpötilassa. Katso kohta *Suositteltu lämpötila-alue sivulla 64*.

1. Aseta akku akkulaturiin. Kun laturin lataustilan ilmaisin palaa, akku on oikein kiinni akkulaturissa.
2. Akku on täysin ladattu, kun kaikki akun varaustilan merkkivalot palavat.

3. Irrota akku akkulaturista.

## Akun varaustila

Husqvarna-litiumioniakkua voi ladata tai käyttää sen varaustasosta riippumatta.

Lataustilan merkkivalot	Akun varaustila
Neljä varaustilan merkkivaloa palaa	Akun varaustaso on 76–100 %.
Kolme varaustilan merkkivaloa palaa	Akun varaustaso on 51–75 %.
Kaksi varaustilan merkkivaloa palaa	Akun varaustaso on 26–50 %.
Yksi varaustilan merkkivalo palaa	Akun varaustaso on 11–25 %.
Yksi varaustilan merkkivalo vilkkuu	Akun varaustaso on 0–10 %.

# Vianmääritys

## Vianmääritys

Oireet	Syy	Toimenpide
Yksi varaustilan merkkivalo vilkkuu. Tietyillä laiteohjelmistoversioilla varustetuissa tuotteissa myös akun virhetilan merkkivalo vilkkuu.	Akku on tyhjä.	Lataa akku.
Akun virhetilan ilmaisin vilkkuu.	Raskas kuormitus samalla kun akun lämpötila on erittäin alhainen.	Lämmitä akkua. Voit esimerkiksi siirtää akun sisätiloihin tai käyttää työkalua pienellä kuormalla, kunnes akku lämpenee.
	Akku ei toimi. Akun toiminta-alue on saavuttanut ylärajan.	Irrota akku tuotteesta. Odota 5 minuuttia. Paina akun varaustilan painiketta.
Akun lämpötilan ilmaisin palaa.	Akkua ei voi käyttää, koska se on liian kylmä tai liian kuuma.	Säilytä akkua -10...40 °C:n lämpötilassa. Kun akun lämpötila on oikea, sitä voi käyttää.
Akun lämpötilan ilmaisin vilkkuu.	Akun lämpötila on lähellä raja-arvoa.	Vähennä nopeutta ja/tai kuormaa. Akun suorituskyky on optimaalinen, kun akun lämpötila on suositellulla alueella +10...+30 °C.
Akun lämpötilan ilmaisin palaa, kun akku on laturissa.	Lämpötilavaihtelu, akku on liian kylmä tai kuuma ladattavaksi.	Anna akun jäähtyä tai siirrä se sisätilaan lämpenemään. Kun akun lämpötila on oikea, akkua voi jälleen ladata. Käytä akkulaturia vain, kun ympäristön lämpötila on 5...40 °C. Pidä laturi poissa auringonvalosta. Jos ongelma jatkuu, ota yhteyttä jälleenmyyjään.

Oireet	Syy	Toimenpide
Akun virhetilan merkkivalo sytty.	Akussa on kriittinen virhe.	Ota yhteyttä Husqvarna-huoltoiliik- keeseen.

## Kuljettaminen, säilyttäminen ja hävittäminen

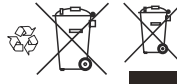
### Kuljetus ja säilytys

- Mukana tulleet litiumioniakut ovat vaarallisten aineiden lainsäädännön määräysten mukaisia.
- Pakkausta ja merkintöjä koskevaa erityismääräystä on noudatettava, myös kolmansien osapuolten tai huoltusijoiden järjestämässä tavarakuljetuksessa.
- Keskustele erityiskoulutuksen saaneen vaarallisten aineiden asiantuntijan kanssa ennen tuotteen lähettämistä. Noudata kaikkia kansallisia määräyksiä.
- Teippaa liittimet, kun laitat akun pakkaukseen. Aseta akku pakkaukseen tiukasti, jotta voit välttää vahingot ja onnettomuudet.
- Älä säilytä akkua paikassa, jossa on staattista sähköä. Älä säilytä akkua metallilaatikossa.
- Siirrä akku kuivaan, pakkaselta suojattuun ja siistiin paikkaan, jossa on sopiva lämpötila.
- Käytä ja säilytä akkua vain suositellussa lämpötilassa. Katso kohta *Suosittelua lämpötila-alue sivulla 64*.
- Lataa akku ennen pitkäaikaista säilytystä niin, että sen varaustaso on 30–50 prosenttia.

- Puhdista akku ennen sen siirtämistä säilytykseen.

### Hävittäminen

Symboli kertoo, että tuotetta ei saa hävittää kotitalousjätteen mukana. Kierrätä se paikallisen sähkö- ja elektroniikkalaitteiden keräysjärjestelmän kautta. Tämä edistää asianmukaista jätteenkäsittelyä laitteiden elinkaaren lopussa. Lisätietoja saat paikallisilta viranomaisilta, jätehuoltopalveluista tai jälleenmyyjältä. Väärä hävittämistapa voi aiheuttaa ympäristölle ja ihmisille haittaa mahdollisten vaarallisten aineiden vuoksi.



**Huomautus:** Symboli on joko tuotteessa tai sen pakkauksessa.

## Tekniset tiedot

### Rekisteröidyt tavaramerkit

*Bluetooth®* -sanamerkki ja -logot ovat *Bluetooth SIG, inc.*:n omistamia rekisteröityjä tavaramerkkejä. Husqvarna käyttää kyseisiä merkkejä luvanvaraisesti.

### Tekniset tiedot

Taajuusalue, MHz	2 400–2 483,5
Suurin lähetysteho, dBm	4

Muut tekniset tiedot ovat akun arvokilvessä.

### Suosittelua lämpötila-alue



**HUOMAUTUS:** Jos akun lämpötila on alle 0 °C (32 °F), raskas kuorma saattaa aiheuttaa akussa väliaikaisen virhetilan.



**HUOMAUTUS:** Käytä ja säilytä akkua vain suositellussa lämpötilassa. Jos lämpötila ei ole tällä alueella, akku ei toimi oikein.



**HUOMAUTUS:** Akku ei lataudu, jos sen lämpötila ei ole suositellulla lämpötila-alueella.

Käyttölämpötila	Latauslämpötila	Säilytyslämpötila
-10–40 °C / 14–104 °F	5–40 °C / 41–104 °F	5–25 °C / 41–77 °F

# Hyväksytyt akkulaturit

Taulukko

Akkulaturi	QC330	QC500	40-C500X	40-C750X	40-C1000X4
Lähtöjännite, V	36	36	36	36	36
Tulojännite, V	100–240	100–240	100–240	100–240	100–240
Taajuus, Hz	50–60	50–60	50–60	50–60	50–60
Teho, W	330	500	500	750	1 000 <sup>41</sup>

Taulukko

Akkulaturi	40-C500X	40-C750X
Lähtöjännite, V	36	36
Tulojännite, V	100–240	100–240
Taajuus, Hz	50–60	50–60
Teho, W	500	750

---

## vaatimustenmukaisuusvakuutus

---

### Vaatimustenmukaisuusvakuutus

Husqvarna AB, SE-561 82 Huskvarna, RUOTSI (puh. +46 36 146 500, vakuuttaa täten, että tuote:

Kuvaus	Ladattava litiumioniakku
Tuotemerkki	Husqvarna®
Tyyppi/malli	40-B140X, 40-B220X, 40-B330X, 40-B360X, 40-B540X
Tunniste	Sarjanumerot vuodesta 2026 alkaen

täyttävät seuraavien EU-direktiivien ja -asetusten vaatimukset sellaisena kuin ne ovat muutettuina:

Direktiivi/asetus	Kuvaus
2014/30/EU	EMC-direktiivi
2014/53/EU <sup>42</sup>	"radiolaitteita koskeva direktiivi"
(EU) 2023/1542	Akkuja ja paristoja ja jätteakkuja ja -paristoja koskeva asetus

ja että asiassa sovelletaan seuraavia standardeja ja/tai teknisiä tietoja:

EN IEC 62133-2:2017+A1:2021

EN IEC 62133-2:2017<sup>43</sup>

IEC 63370:2022

EN 61000-6-1:2007/EN IEC 61000-6-1:2019,  
EN 61000-6-3:2007+A1:2011+AC:2012, EN IEC  
61000-6-3:2021<sup>44</sup>

ETSI EN 301 489-1 v.1.9.2, ETSI EN 301 489-17  
v.3.2.4, ETSI 300 328 v.2.2.2<sup>45</sup>

EN IEC 63000:2018

Muu vaarallisten aineiden kuljetukseen liittyvä testaus;

UN 38.3 Edition 7

Husqvarna, 10.4.2026



Lars Roos

R&D Director, Battery Competence Center

Husqvarna AB, RUOTSI

Teknisestä dokumentaatiosta vastaava edustaja



<sup>42</sup> Koskee versioita, joissa on Bluetooth®-yhteys.

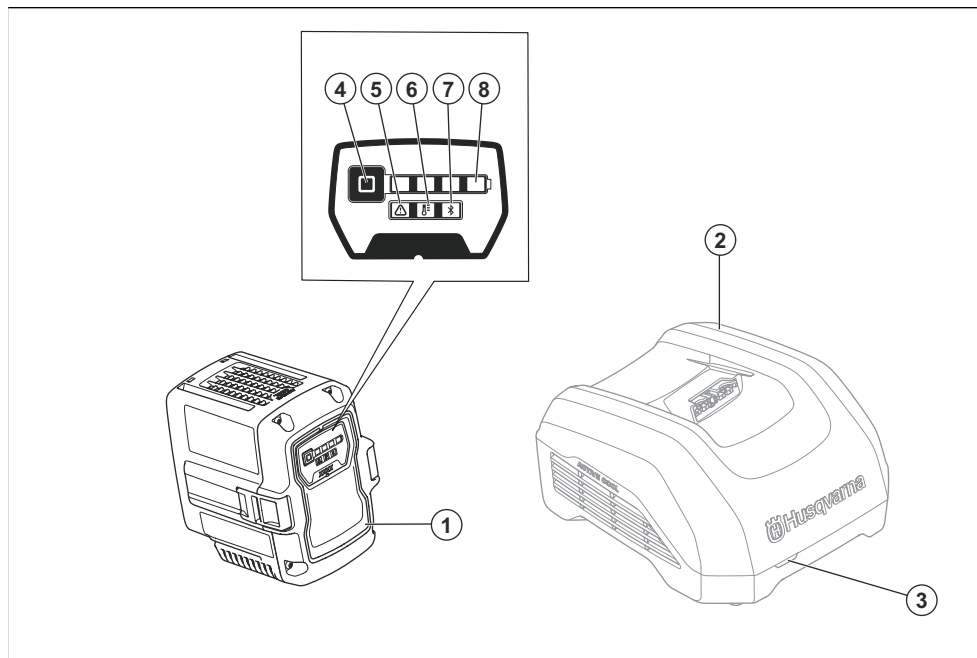
<sup>43</sup> Koskee vain mallia 40-B220X.

<sup>44</sup> EMC-testaus tehtiin myös eri tuotteille akkua käyttäen.

<sup>45</sup> Koskee versioita, joissa on Bluetooth®-yhteys.

# Introduction

## Aperçu du produit



1. Batterie
2. Chargeur de batterie (accessoire)
3. Témoin de charge et d'erreur
4. Bouton d'état de charge
5. Témoin d'erreur
6. Témoin de température de la batterie
7. Témoin Bluetooth® (le cas échéant)
8. Témoin de l'état de charge

## Symboles concernant le produit



soyez prudent et utilisez le produit correctement. Ce produit peut causer des blessures graves, voire mortelles, à l'opérateur ou à d'autres personnes.



Lisez attentivement le manuel d'utilisation de la batterie, du chargeur homologué et du produit sans fil qui utilise cette batterie. Vous trouverez les manuels à l'adresse suivante : [www.husqvarna.com/support](http://www.husqvarna.com/support). Recherchez le nom du modèle. Assurez-vous de bien comprendre toutes les instructions avant d'utiliser le produit.



Tension dangereuse.



Peut être utilisé sous la pluie.



Protection contre les éclaboussures d'eau.



Le produit est conforme aux directives et réglementations CE en vigueur.



Déposez le produit dans un site de recyclage approprié pour équipements électriques et électroniques.



Le produit ou son emballage ne font pas partie des ordures ménagères.



Ne plongez pas la batterie dans l'eau.



Si le produit est doté de la technologie sans fil *Bluetooth*<sup>®</sup>. Le symbole *Bluetooth*<sup>®</sup> sera inscrit sur l'étiquette du nom du produit. Reportez-vous à la section *Technologie sans fil Bluetooth*<sup>®</sup> à la page 70.

**Remarque:** Les autres symboles/autocollants présents sur le produit concernent des exigences de certification spécifiques à certaines zones commerciales.

## Description du produit

Husqvarna 40-B140X, 40-B220X, 40-B330X, 40-B360X, 40-B540X est une batterie Li-ion 36 V portable et rechargeable pour les outils alimentés par batterie Husqvarna.

Dans le cadre de notre processus continu de développement de produits, Husqvarna se réserve le droit de modifier la conception et/ou l'aspect des produits sans préavis.

## Utilisation prévue

Ces batteries sont destinées aux outils alimentés par batterie Husqvarna. Lisez le manuel relatif aux outils électriques pour vous assurer que la batterie est approuvée pour l'outil électrique.

**Remarque:** La législation nationale ou locale peut réglementer l'utilisation. Respectez les réglementations en vigueur. Ces batteries sont destinées à être utilisées avec des chargeurs de batterie homologués. Reportez-

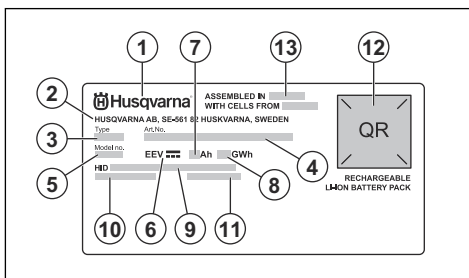
vous à la section *Chargeurs de batterie homologués* à la page 72.

## Symboles de conformité



Ce produit est conforme aux directives applicables du décret français n° 2014-1577. Ne jetez pas ce produit dans les déchets ménagers. Il doit être mis au rebut conformément aux réglementations environnementales locales en vigueur.

## Plaque signalétique



1. Marque
2. Adresse du fabricant
3. Type
4. Référence
5. Numéro de modèle
6. Tension
7. Ampères-heures
8. Watts-heures
9. Numéro d'identification Husqvarna (HID)
10. Type de cellule de batterie
11. Numéro de série avec date de fabrication
12. QR code
13. Pays de montage

## Sécurité

### Définitions de sécurité

Des avertissements, des mises en garde et des remarques sont utilisés pour souligner des parties particulièrement importantes du manuel.



**AVERTISSEMENT:** Symbole utilisé en cas de risque de blessures ou de

mort pour l'opérateur ou les personnes à proximité si les instructions du manuel ne sont pas respectées.



**REMARQUE:** Symbole utilisé en cas de risque de dommages pour le produit, d'autres matériaux ou les environs si

les instructions du manuel ne sont pas respectées.

---

**Remarque:** Symbole utilisé pour donner des informations supplémentaires pour une situation donnée.

---

## Instructions de sécurité importantes

---



**AVERTISSEMENT:** Lisez tous les avertissements et toutes les instructions de sécurité. Le non-respect des consignes et des instructions peut être à l'origine d'un choc électrique, d'un incendie et/ou de blessures graves.

---

**Remarque:** Conservez tous les avertissements de sécurité et toutes les instructions.

---

- Utilisez uniquement des chargeurs de batterie Husqvarna homologués pour charger les batteries Husqvarna d'origine. Les batteries sont codées par logiciel.
- Utilisez des batteries rechargeables homologuées Husqvarna en tant qu'alimentation électrique pour

les produits Husqvarna correspondants uniquement. Afin d'éviter toute blessure, n'utilisez pas la batterie comme source d'alimentation pour d'autres produits.

- N'essayez pas de démonter ou de réparer la batterie. Toutes les réparations doivent être effectuées uniquement par un concessionnaire agréé.
- Protégez la batterie des rayons directs du soleil, de la chaleur et des flammes nues. La batterie peut provoquer des brûlures et/ou des brûlures chimiques.
- N'utilisez pas de batterie ou de chargeur de batterie endommagé(e).
- Ne soumettez pas la batterie à des chocs mécaniques.
- Tenez la batterie hors de portée des enfants.
- Maintenez la batterie propre et sèche.
- Nettoyez les bornes de la batterie avec un chiffon propre et sec si elles sont sales.
- Ne conservez pas la batterie dans le chargeur de batterie lorsqu'elle est complètement chargée.
- Retirez la batterie du produit lorsqu'elle n'est pas utilisée et pendant le transport.
- Conservez les batteries en stock à distance des objets métalliques, tels que les clous, les vis ou les bijoux.

---

## Fonctionnement

---

### Fonctionnement

- Utilisez et stockez la batterie uniquement dans la plage de températures recommandée. Reportez-vous à la section *Plage de températures recommandée à la page 72*.
- Appuyez sur le bouton d'état de charge pour mettre la batterie sous tension avant utilisation.
- La batterie doit être chargée avant sa première utilisation. Utilisez toujours un chargeur de batterie homologué Husqvarna. Reportez-vous à la section *Chargeurs de batterie homologués à la page 72*.
- Diminuez la charge de travail et/ou la vitesse lorsque l'indicateur de température de la batterie clignote.
- Appuyez sur le bouton d'état de charge pour obtenir des informations sur l'état de charge de la batterie.

### Husqvarna Connect

Husqvarna Connect est une application gratuite pour votre appareil mobile. L'application Husqvarna Connect offre des fonctions étendues à votre produit Husqvarna.

- Informations produit détaillées.
- Informations et aide sur les pièces et l'entretien du produit.

Pour plus d'informations sur Husqvarna Connect, voir [www.husqvarna.com](http://www.husqvarna.com).

---

**Remarque:** L'application Husqvarna Connect n'est pas disponible au téléchargement sur tous les marchés. Pour davantage d'informations, contactez votre atelier d'entretien.

---

### Pour commencer à utiliser Husqvarna Connect

1. Téléchargez l'application Husqvarna Connect sur votre appareil mobile.
2. Enregistrez-vous sur l'application Husqvarna Connect.
3. Suivez les instructions de l'application Husqvarna Connect pour vous ajouter le produit.

---

**Remarque:** L'application Husqvarna Connect n'est pas disponible au téléchargement sur tous les marchés. Pour davantage d'informations, contactez votre atelier d'entretien.

---

### Husqvarna Fleet Services™

Husqvarna Fleet Services™ est une solution Cloud qui permet au gestionnaire de parc machines d'avoir un aperçu de tous les produits. Husqvarna Fleet Services™ est disponible en tant que service Web et en tant qu'application. Pour plus d'informations sur Husqvarna Fleet Services™, voir [www.husqvarna.com](http://www.husqvarna.com).

**Remarque:** la solution Cloud Husqvarna Fleet Services™ n'est pas disponible sur tous les marchés.

### Se connecter au produit avec Husqvarna Fleet Services™

1. Téléchargez l'application Husqvarna Fleet Services™ sur votre appareil mobile.
2. Connectez-vous à l'application Husqvarna Fleet Services™.
3. Suivez les instructions pour appairer le produit avec Husqvarna Fleet Services™.

### Technologie sans fil Bluetooth®

Les produits dotés de la technologie sans fil Bluetooth® intégrée peuvent se connecter à un appareil mobile.

Le symbole de la technologie sans fil Bluetooth® s'allume lorsque votre appareil mobile est connecté au produit.



**Remarque:** Cet appareil a été évalué pour satisfaire aux exigences en matière d'exposition aux radiofréquences (RF) applicables. L'appareil peut être utilisé dans des conditions d'exposition portables sans restriction.

### Mettre à jour le firmware par liaison radio (pour les batteries avec Bluetooth® intégré)

Les batteries avec Bluetooth® téléchargent et installent automatiquement les nouveaux firmwares.

- Le téléchargement démarre lorsqu'un nouveau firmware est disponible et que la batterie est connectée à Husqvarna Connect ou à Husqvarna Fleet Services™.
- Le témoin Bluetooth® s'affiche lorsque la batterie est connectée alors que l'écran de la batterie est actif.
- Le téléchargement du firmware dure 10-15 minutes. Si le téléchargement s'arrête ou échoue, la batterie tente à nouveau de télécharger le firmware.

- L'installation du firmware commence lorsque le téléchargement est terminé et que la batterie n'est pas en cours d'utilisation ou de chargement.
- Les témoins d'état de charge clignotent pendant l'installation du firmware. L'installation du firmware dure 10-15 secondes.

### Chargement de la batterie

Chargez la batterie avant la première utilisation. Une batterie neuve est chargée à 30 %. Appuyez sur le bouton d'état de charge pour obtenir des informations sur l'état de charge de la batterie. Utilisez et stockez la batterie uniquement dans la plage de températures recommandée. Reportez-vous à la section *Plage de températures recommandée à la page 72*.

1. Placez la batterie dans le chargeur de batterie. Lorsque le témoin de charge s'allume sur le chargeur de batterie, la batterie est correctement branchée sur le chargeur de batterie.
2. La batterie est entièrement chargée lorsque tous les témoins d'état de charge situés sur la batterie sont allumés.
3. Dégagez la batterie du chargeur de batterie.

### Niveau de charge de la batterie

Une batterie au lithium-ion Husqvarna peut être chargée ou utilisée à tous les niveaux de charge.

Témoins de l'état de charge	État de la batterie (état de charge)
4 témoins sont allumés	La batterie est chargée à 76 % – 100 %.
3 témoins sont allumés	La batterie est chargée à 51 % – 75 %.
2 témoins sont allumés	La batterie est chargée à 26 % – 50 %.
1 témoin est allumé	La batterie est chargée à 11 % – 25 %.
1 témoin clignote	La batterie est chargée à 0 % – 10 %.

---

## Recherche de pannes

---

### Recherche de pannes

Symptômes	Cause	Action
Un témoin d'état de charge clignote. Pour les produits dotés de certaines versions du firmware, le témoin d'erreur de la batterie clignote également.	La batterie est vide.	Rechargez la batterie.
Le témoin d'erreur de la batterie clignote.	Charge de travail importante associée à une température de batterie très basse.	Réchauffez la batterie. Par exemple, placez-la à l'intérieur ou faites fonctionner le produit à basse vitesse jusqu'à ce que la batterie soit chaude.
	La batterie ne fonctionne pas. La limite de plage de fonctionnement de la batterie a été atteinte.	Retirez la batterie du produit. Attendez 5 minutes. Appuyez sur le bouton d'état de charge.
L'indicateur de température de la batterie est allumé.	La batterie est trop froide ou trop chaude pour être utilisée.	Maintenez la batterie à une température ambiante comprise entre -10 °C (14 °F) et 40 °C (104 °F). Lorsque la température de la batterie est correcte, elle peut à nouveau être utilisée.
L'indicateur de température de la batterie clignote.	La batterie est proche de ses limites de température.	Réduisez la vitesse et/ou la charge de travail. Pour des performances optimales, maintenez la batterie à une température comprise entre +10 °C (50 °F) et +30 °C (86 °F).
L'indicateur de température de la batterie est allumé lorsque la batterie se trouve dans le chargeur.	Écart de température, la batterie est trop froide ou trop chaude pour être chargée.	Laissez la batterie refroidir ou déplacez-la à l'intérieur pour la réchauffer. Lorsque la température de la batterie est correcte, elle peut à nouveau être chargée. Veillez à utiliser le chargeur dans un endroit où la température ambiante est comprise entre 5 °C (41 °F) et 40 °C (104 °F). Maintenez le chargeur à l'abri de la lumière du soleil. Si le problème persiste, parlez-en à votre revendeur.
Le témoin d'erreur de la batterie s'allume.	La batterie présente une erreur critique.	Contactez votre atelier d'entretien Husqvarna.

---

## Transport, entreposage et mise au rebut

---

### Transport et remisage

- Les batteries Li-Ion fournies respectent les exigences de la législation sur les marchandises dangereuses.
- Vous devez respecter l'exigence spécifique relative à l'emballage et aux étiquettes pour le transport commercial, y compris par des tiers et des transitaires.

- Consultez un expert en matières dangereuses avant d'expédier le produit. Respectez les lois nationales en vigueur.
- Mettez du ruban adhésif sur les contacts lorsque vous placez la batterie dans un emballage. Placez la batterie dans l'emballage de façon hermétique afin d'éviter tout dommage ou accident.
- Ne conservez pas la batterie dans un endroit présentant un risque d'électricité statique. Ne conservez pas la batterie dans une boîte métallique.
- Conservez la batterie dans un endroit sec, propre et à l'abri du gel à une température correcte.
- Utilisez et stockez la batterie uniquement dans la plage de températures recommandée. Reportez-vous à la section *Plage de températures recommandée à la page 72*.
- Chargez la batterie entre 30 % et 50 % avant de la remiser pendant des périodes prolongées.
- Nettoyez la batterie avant de la remiser.

votre système de collecte local pour les équipements électriques et électroniques. Cela contribue à une bonne gestion des déchets en fin de vie. Contactez les autorités locales, les services des ordures ménagères, votre revendeur ou votre détaillant pour plus d'informations. Une mise au rebut incorrecte peut avoir des effets négatifs potentiels sur l'environnement et la santé, en raison de la présence potentielle de substances dangereuses.



**Remarque:** Le symbole apparaît sur le produit ou l'emballage du produit.

## Mise au rebut

Ce symbole indique que le produit ne fait pas partie des déchets ménagers. Recyclez-le par le biais de

## Caractéristiques techniques

### Marques déposées

La marque et les logos *Bluetooth®* sont des marques déposées appartenant à *Bluetooth SIG, inc.*, et toute utilisation de ces marques par Husqvarna est régie par une licence.

### Caractéristiques techniques

Bandes de fréquence, MHz	2 400 - 2 483,5
Puissance maximale transmise, dBm	4

Pour les autres caractéristiques techniques, reportez-vous à la plaque signalétique de la batterie.

### Plage de températures recommandée



**REMARQUE:** une charge de travail importante lorsque la température de la

### Chargeurs de batterie homologués

FR Table 19: Chargeurs de batterie homologués pour 40-B140X, 40-B220X, 40-B330X

Chargeur de batterie	QC330	QC500	40-C500X	40-C750X	40-C1000X4
Tension de sortie, V	36	36	36	36	36

batterie est inférieure à 0 °C (32 °F) peut entraîner une erreur temporaire de la batterie.



**REMARQUE:** Utilisez et stockez la batterie uniquement dans la plage de températures recommandée. Si la température n'est pas dans cette plage, la batterie ne fonctionnera pas correctement.



**REMARQUE:** La batterie ne se charge pas si sa température n'est pas dans la plage de températures recommandée.

Température d'utilisation	Température de charge	Température de stockage
-10-40 °C / 14-104 °F	5-40 °C / 41-104 °F	5-25 °C / 41-77 °F

Chargeur de batterie	QC330	QC500	40-C500X	40-C750X	40-C1000X4
Tension d'entrée, V	100-240	100-240	100-240	100-240	100-240
Fréquence, Hz	50-60	50-60	50-60	50-60	50-60
Puissance, W	330	500	500	750	1 000 <sup>46</sup>

FR Table 20: Chargeurs de batterie homologués pour 40-B360X, 40-B540X

Chargeur de batterie	40-C500X	40-C750X
Tension de sortie, V	36	36
Tension d'entrée, V	100-240	100-240
Fréquence, Hz	50-60	50-60
Puissance, W	500	750

## déclaration de conformité

### Déclaration de conformité

Nous, Husqvarna AB, SE-561 82 Huskvarna, SUÈDE,  
 tél. : +46 36 146500, déclarons sous notre entière  
 responsabilité que le produit :

<b>Description</b>	<b>Batterie Li-Ion rechargeable</b>
<b>Marque</b>	Husqvarna®
<b>Type/Modèle</b>	40-B140X, 40-B220X, 40-B330X, 40-B360X, 40-B540X
<b>Identification</b>	Les numéros de série à partir de 2026 et ultérieurs

est conforme aux directives et réglementations  
 européennes suivantes, telles que modifiées :

Directive/Réglementation	Description
2014/30/UE	« relative à la compatibilité électromagnétique »
2014/53/UE <sup>47</sup>	« relative aux équipements radio »
(UE) 2023/1542	« relative aux batteries et aux déchets de batteries »

et que les normes et/ou les spécifications techniques  
 suivantes sont appliquées :

EN CEI 62133-2:2017+A1:2021

EN CEI 62133-2:2017<sup>48</sup>

CEI 63370:2022

EN 61000-6-1:2007/EN CEI 61000-6-1:2019,

EN 61000-6-3:2007+A1:2011+AC:2012,

<sup>46</sup> La puissance maximale lors du chargement d'une seule batterie est de 600 W.

<sup>47</sup> Applicable aux versions qui incluent la communication Bluetooth®.

<sup>48</sup> Applicable pour 40-B220X uniquement.

EN CEI 61000-6-3:2021<sup>49</sup>

ETSI EN 301 489-1 v.1.9.2, ETSI EN 301 489-17  
v.3.2.4, ETSI 300 328 v.2.2.2<sup>50</sup>

EN CEI 63000:2018

Autres tests liés au transport de marchandises  
dangereuses ;

UN 38.3 Edition 7

Huskvarna, 10/04/2026



Lars Roos

Directeur R&D, Centre de compétences sur les batteries

Husqvarna AB, SUÈDE

Responsable de la documentation technique

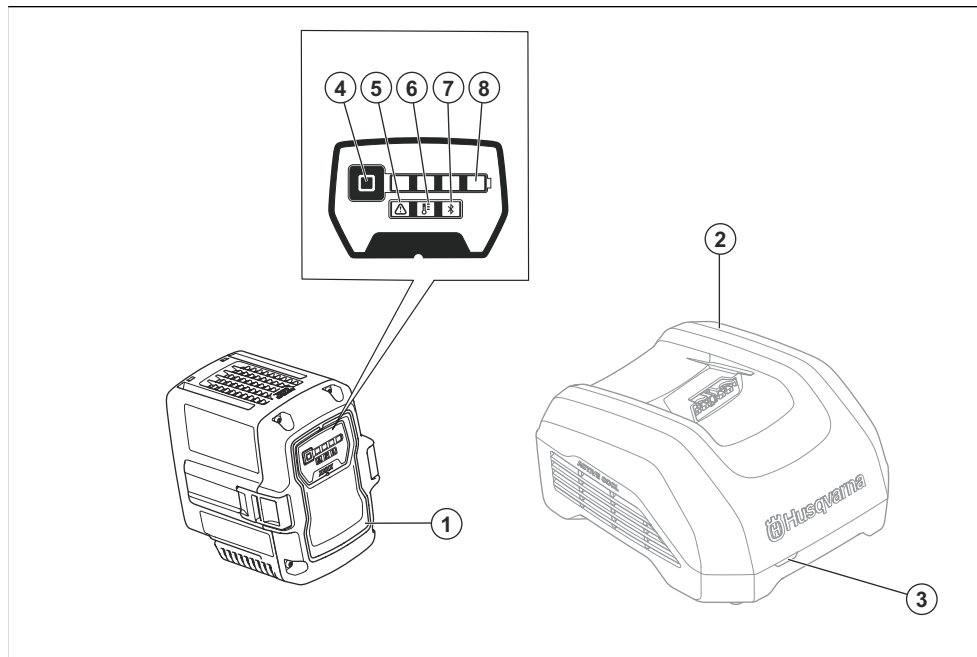


---

<sup>49</sup> Tests CEM également effectués sur différents produits utilisant la batterie.

<sup>50</sup> Applicable aux versions qui incluent la communication Bluetooth®.

## Pregled proizvoda



1. Baterija
2. Punjač baterije (dodatna oprema)
3. Indikator punjenja i pogreške
4. Gumb stanja napunjenosti
5. Indikator pogreške
6. Indikator temperature baterije
7. Bluetooth® indikator (ako je primjenjivo)
8. Indikator napunjenosti



Opasan napon.



U REDU je upotrebljavati za vrijeme kiše.

## Simboli na proizvodu



Budite oprezni i pravilno upotrebljavajte ovaj proizvod. Ovaj proizvod može izazvati teške ozljede ili smrt rukovatelja ili drugih osoba.



Pažljivo pročitajte korisnički priručnik za bateriju, odobreni punjač i bežični proizvod koji koristi tu bateriju. Priručnike možete pronaći na web-stranici [www.husqvarna.com/support](http://www.husqvarna.com/support). Potražite naziv modela. Prije upotrebe proizvoda obavezno s razumijevanjem pročitajte sve upute.



Zaštićen je od prskanja vodom.



Proizvod ispunjava primjenjive direktive i propise EZ-a.



Reciklirajte proizvod na odgovarajućem odlagalištu otpada za električnu i elektroničku opremu.



Ni proizvod ni njegova ambalaža ne spadaju u kućanski otpad.



Ne smijete stavljati bateriju u vodu.



Ako je proizvod opremljen *Bluetooth*<sup>®</sup> bežičnom tehnologijom. Simbol *Bluetooth*<sup>®</sup> bit će označen na naljepnici s nazivom proizvoda. Pogledajte *Bežična tehnologija Bluetooth*<sup>®</sup> na stranici 77.

**Napomena:** Drugi simboli/naljepnice na proizvodu odnose se na zahtjeve za certifikaciju za neka tržišna područja.

## Opis proizvoda

Husqvarna 40-B140X, 40-B220X, 40-B330X, 40-B360X, 40-B540X je prijenosna, punjiva litij-ionska baterija od 36 V za baterijske alate Husqvarna.

Sukladno našem postupku neprekidnog razvoja proizvoda, Husqvarna zadržava pravo na preinake dizajna i/ili izgleda proizvoda bez prethodne obavijesti.

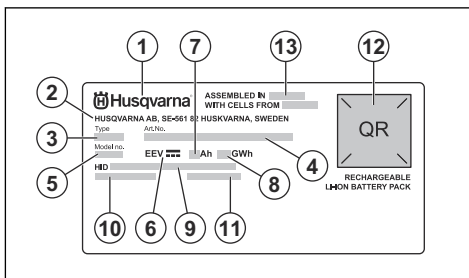
## Namjena

Ove su baterije namijenjene za baterijske alate Husqvarna. Pročitajte priručnik za motorni alat kako biste provjerili je li baterija odobrena za motorni alat.

**Napomena:** Upotrebu mogu određivati nacionalni ili lokalni propisi. Pridržavajte se primjenjivih propisa.

Ove baterije upotrebljavaju se s odobrenim punjačima baterije. Pogledajte *Odobreni punjači baterije na stranici 80*.

## Natpisna pločica



1. Marka
2. Adresa proizvođača
3. Vrsta
4. Kataloški broj
5. Broj modela
6. Napon
7. Ampersati
8. Vatsati
9. Identifikacija tvrtke Husqvarna (HID)
10. Vrsta ćelije baterije
11. Serijski broj s datumom proizvodnje
12. Kôd koji se može skenirati
13. Zemlja sastavljanja

## Sigurnost

### Sigurnosne definicije

Upozorenjima, oprezima i napomenama naglašavaju se posebno važni dijelovi priručnika.



**UPOZORENJE:** Upotrebljava se kada se nepoštivanjem uputa iz priručnika mogu uzrokovati smrt ili ozljede rukovatelja ili promatrača.



**OPREZ:** Upotrebljava se kada nepoštivanje uputa iz priručnika može uzrokovati oštećenje proizvoda ili drugih materijala u neposrednoj blizini.

**Napomena:** Upotrebljava se za prikaz neophodnih dodatnih informacija za zadanu situaciju.

### Važne sigurnosne upute



**UPOZORENJE:** Pročitajte sva sigurnosna upozorenja i sve upute. Nepridržavanje upozorenja i uputa može uzrokovati strujni udar, požar i/ili teške ozljede.

**Napomena:** Spremite sva upozorenja i upute.

- Za punjenje originalnih baterija tvrtke Husqvarna upotrebljavajte samo odobrene punjače baterije Husqvarna. Baterije su softverski kodirane.
- Upotrebljavajte isključivo odobrene Husqvarna punjive baterije za napajanje odgovarajućih proizvoda tvrtke Husqvarna. Bateriju nemojte

- upotrebljavati za napajanje drugih proizvoda jer postoji opasnost od ozljeda.
- Bateriju nemojte rastavljati niti pokušavati popraviti. Sve popravke mora obavljati samo ovlašteni distributer.
  - Bateriju zaštitite od sunčeve svjetlosti, vrućine i otvorenog plamena. Baterija može uzrokovati opekline i/ili kemijske opekline.
  - Nemojte upotrebljavati oštećenu bateriju ni punjač baterije.
  - Bateriju nemojte izlagati mehaničkim udarima.

- Bateriju držite podalje od djece.
- Bateriju održavajte čistom i suhom.
- Ako se kontakti baterijskog kompleta zaprljaju, obrišite ih čistom suhom krpom.
- Kad se baterija napuni, uklonite je iz punjača.
- Dok proizvod ne upotrebljavate i tijekom transporta, uklonite bateriju iz njega.
- Baterije skladištite dalje od metalnih predmeta poput čavala, vijaka ili nakita.

---

## Rad

---

### Rad

- Bateriju upotrebljavajte i skladištite samo u preporučenom rasponu temperature. Pogledajte *Preporučena radna temperatura na stranici 80*.
- Prije upotrebe pritisnite gumb indikatora napunjenosti baterije.
- Prije prve upotrebe bateriju morate napuniti. Uvijek upotrebljavajte odobrene punjače baterije tvrtke Husqvarna. Pogledajte *Odobreni punjači baterije na stranici 80*.
- Smanjite opterećenje i/ili brzinu kada indikator temperature baterije treperi.
- Pritisnite gumb indikatora napunjenosti baterije za informacije o stanju napunjenosti baterije.

### Husqvarna Connect

Husqvarna Connect je besplatna aplikacija za mobilni uređaj. Aplikacija Husqvarna Connect pruža vam dodatne funkcije za vaš proizvod Husqvarna.

- Opširnije informacije o proizvodu.
- Dodatne informacije i pomoć za dijelove i servisiranje proizvoda.

Više informacija o Husqvarna Connect potražite na [www.husqvarna.com](http://www.husqvarna.com).

---

**Napomena:** Aplikacija Husqvarna Connect nije na svim tržištima dostupna za preuzimanje. Za više informacija obratite se servisnom distributeru.

---

### Početak rada s Husqvarna Connect

1. Preuzmite aplikaciju Husqvarna Connect na svoj mobilni uređaj.
2. Registrirajte se u aplikaciji Husqvarna Connect.
3. Pratite korake iz uputa u aplikaciji Husqvarna Connect kako biste dodali proizvod.

---

**Napomena:** Aplikacija Husqvarna Connect nije na svim tržištima dostupna za preuzimanje. Za više informacija obratite se servisnom distributeru.

---

### Husqvarna Fleet Services™

Husqvarna Fleet Services™ je rješenje s računalnim oblakom koje upravitelju komercijalne flote pruža pregled svih proizvoda. Rješenje Husqvarna Fleet Services™ dostupno je kao usluga na web-mjestu i aplikacija. Više informacija o Husqvarna Fleet Services™ potražite na [www.husqvarna.com](http://www.husqvarna.com).

---

**Napomena:** Rješenje s računalnim oblakom Husqvarna Fleet Services™ nije dostupno na svim tržištima.

---

### Povezivanje s proizvodom s Husqvarna Fleet Services™

1. Preuzmite aplikaciju Husqvarna Fleet Services™ na mobilni uređaj.
2. Prijavite se u aplikaciju Husqvarna Fleet Services™.
3. Pratite upute za uparivanje proizvoda s Husqvarna Fleet Services™.

### Bežična tehnologija Bluetooth®

Proizvodi s ugrađenom bežičnom tehnologijom Bluetooth® mogu se povezati s mobilnim uređajima.

Kada je mobilni uređaj povezan s proizvodom, prikazuje se simbol bežične tehnologije Bluetooth®.



---

**Napomena:** Procijenjeno je da je ovaj uređaj usklađen s primjenjivim zahtjevima izlaganja radijskim frekvencijama (RF). Uređaj se bez ograničenja može upotrebljavati u uvjetima izlaganja u prijenosu.

---

### Ažuriranje zračnog prijenosa ugrađenog softvera (za baterije s ugrađenim Bluetooth®)

Baterije s Bluetooth® automatski preuzimaju i instaliraju novi ugrađeni softver.

- Preuzimanje započinje kada je dostupan novi ugrađeni softver i kada je baterija priključena na Husqvarna Connect ili Husqvarna Fleet Services™.
- Indikator Bluetooth® pokazuje kada je baterija priključena dok je zaslon baterije aktivan.
- Preuzimanje ugrađenog softvera traje 10 – 15 minuta. Ako se preuzimanje zaustavi ili ne uspije, baterija će ponovo pokušati preuzeti ugrađeni softver.
- Instalacija ugrađenog softvera započinje kada je preuzimanje dovršeno i baterija se ne koristi ili se ne puni.
- Tijekom instalacije ugrađenog softvera indikatori stanja napunjenosti pulsiraju. Instalacija ugrađenog softvera traje 10 – 15 sekundi.

## Zamjena baterije

Prije prve upotrebe napunite bateriju. Nova baterija napunjena je na 30%. Pritisnite gumb indikator napunjenosti baterije za informacije o stanju napunjenosti baterije. Bateriju upotrebljavajte i skladištite samo u preporučenom rasponu temperature. Pogledajte *Preporučena radna temperatura na stranici 80*.

1. Postavite bateriju u punjač baterije. Kada se uključi indikator punjenja na punjaču baterije, baterija je pravilno priključena na punjač.

2. Baterija je potpuno napunjena kada su uključeni svi indikatori stanja napunjenosti na bateriji.
3. Izvadite bateriju iz punjača baterije.

## Status punjača baterije

Litij-ionsku bateriju tvrtke Husqvarna možete puniti ili upotrebljavati pri bilo kojoj razini napunjenosti.

Indikatori napunjenosti	Stanje baterije (stanje napunjenosti)
Uključena su četiri indikatora	Baterija je napunjena 76 % – 100 %.
Uključena su tri indikatora	Baterija je napunjena 51 % – 75 %.
Uključena su dva indikatora	Baterija je napunjena 26 % – 50 %.
Uključen je jedan indikator	Baterija je napunjena 11 % – 25 %.
Treperi jedan indikator	Baterija je napunjena 0 % – 10 %.

# Rješavanje problema

## Rješavanje problema

Simptomi	Uzrok	Postupak
Treperi jedan indikator stanja napunjenosti. Na proizvodima s nekim verzijama ugrađenog softvera treperi i indikator pogreške baterije.	Baterija je prazna.	Napunite bateriju.
Indikator pogreške na bateriji treperi.	Veliko radno opterećenje u kombinaciji s vrlo niskom temperaturom baterije.	Zagrijte bateriju. Na primjer, premjestite je u zatvoreni prostor ili radite pri maloj brzini dok se baterija ne zagrije.
	Baterija ne radi. Raspon rada baterije je u granicama.	Izvadite bateriju iz proizvoda. Pričekajte pet minuta. Pritisnite gumb stanja napunjenosti.
Indikator temperature baterije je UKLJUČEN.	Baterija je prehladna ili prevruća za upotrebu.	Bateriju upotrebljavajte u rasponu temperatura okoline od -10 °C (14 °F) do 40 °C (104 °F). Kada baterija postigne odgovarajuću temperaturu, možete je ponovo upotrijebiti.

Simptomi	Uzrok	Postupak
Indikator temperature baterije treperi.	Baterija je blizu ograničenja temperature.	Smanjite brzinu i/ili opterećenje. Za optimalne performanse bateriju upotrebljavajte u preferiranom rasponu temperatura okoline od +10 °C (50 °F) do +30 °C (86 °F).
Indikator temperature baterije je UKLJUČEN dok je baterija na punjaču.	Odstupanje od temperature, baterija je prehladna ili prevruća za upotrebu.	Pričekajte da se baterija ohladi ili je premjestite van da se zagrije. Kada baterija postigne odgovarajuću temperaturu, možete je ponovo puniti. Punjač upotrebljavajte isključivo na temperaturama između 5 °C (41 °F) i 40 °C (104 °F). Punjač držite dalje od sunčeve svjetlosti. Ako se problem nastavi pojavljivati, obratite se trgovcu.
UKLJUČUJE SE indikator pogreške baterije.	Baterija ima kritičnu grešku.	Obratite se servisnom zastupniku tvrtke Husqvarna.

## Prijevoz, spremanje i zbrinjavanje

### Transport i skladištenje

- Isporučene litij-ionske baterije podliježu zahtjevima propisa o opasnim proizvodima.
- Pridržavajte se posebnih zahtjeva o pakiranju i označavanju u komercijalnom transportu, uključujući i one trećih strana i prijevoznika.
- Prije slanja proizvoda obratite se osobi s posebnom obukom za opasni materijal. Pridržavajte se svih mjerodavnih nacionalnih propisa.
- Kada bateriju stavljate u pakiranje, kontakte prelijepite trakom. Učvrstite bateriju u pakiranju da biste onemogućili oštećenja i nezgode.
- Bateriju nemojte spremati u prostor u kojem može nastati statički elektricitet. Bateriju nemojte čuvati u metalnoj kutiji.
- Postavite proizvod u suh i čist prostor odgovarajuće temperature i zaštićen od smrzavanja.
- Bateriju upotrebljavajte i skladištite samo u preporučenom rasponu temperature. Pogledajte *Preporučena radna temperatura na stranici 80*.
- Prije dugotrajnog skladištenja bateriju napunite na 30 % do 50 %.

- Očistite bateriju prije njezina skladištenja.

### Zbrinjavanje u otpad

Simbol označava proizvod koji se ne ubraja u kućanski otpad. Reciklirajte ga s pomoću lokalnog sustava za sakupljanje električne i elektroničke opreme. To pridonosi ispravnom upravljanju otpadom dotrajale opreme. Informacije zatražite od lokalnih vlasti, komunalne službe, vašeg trgovca ili prodavača. Neispravno odlaganje može imati negativne učinke na okoliš i ljudsko zdravlje zbog mogućeg postojanja opasnih tvari.



**Napomena:** Simbol se nalazi na proizvodu ili pakovanju proizvoda.

## Tehnički podaci

### Registrirani zaštitni znakovi

Natpis i logotipi *Bluetooth®* registrirani su zaštitni znakovi u vlasništvu tvrtke *Bluetooth SIG, inc.* i tvrtka Husqvarna za svaku upotrebu tih znakova posjeduje licenciju.

### Tehnički podaci

Frekvencijski pojas, MHz	2400 – 2483,5
Maks. prenesena snaga, dBm	4

Druge tehničke podatke potražite na natpisnoj pločici baterije.

temperature. Ako temperatura nije unutar ovog raspona, baterija neće raditi ispravno.

## Preporučena radna temperatura



**OPREZ:** Veliko radno opterećenje, kada je temperatura baterije manja od 0 °C (32 °F), mogu uzrokovati privremenu pogrešku baterije.



**OPREZ:** Baterija se ne puni ako temperatura nije u preporučenom rasponu temperature.



**OPREZ:** Bateriju upotrebljavajte i skladištite samo u preporučenom rasponu

Temperatura upotrebe	Temperatura punjenja	Temperatura skladištenja
-10 – 40 °C / 14 – 104 °F	5 – 40 °C / 41 – 104 °F	5 – 25 °C / 41 – 77 °F

## Odobreni punjači baterije

Tablica

Punjač baterije	QC330	QC500	40-C500X	40-C750X	40-C1000X4
Izlazni napon, V	36	36	36	36	36
Ulazni napon, V	100 – 240	100 – 240	100 – 240	100 – 240	100 – 240
Frekvencija, Hz	50 – 60	50 – 60	50 – 60	50 – 60	50 – 60
Snaga, W	330	500	500	750	1000 <sup>51</sup>

Tablica

Punjač baterije	40-C500X	40-C750X
Izlazni napon, V	36	36
Ulazni napon, V	100 – 240	100 – 240
Frekvencija, Hz	50 – 60	50 – 60
Snaga, W	500	750

## Izjava o sukladnosti

### Izjava o sukladnosti

Mi, Husqvarna AB, SE-561 82 Huskvarna, ŠVEDSKA,  
tel.: +46-36-146500, pod punom odgovornošću  
izjavljujemo da proizvod:

Opis	Punjiva litij-ionska baterija
Marka	Husqvarna®

<b>Opis</b>	<b>Punjiva litij-ionska baterija</b>
<b>Vrsta/model</b>	40-B140X, 40-B220X, 40-B330X, 40-B360X, 40-B540X
<b>Identifikacija</b>	Serijski brojevi iz 2026 i noviji

sukladne su sa sljedećim direktivama i propisima EU-a te njihovim izmjenama:

<b>Direktiva/propis</b>	<b>Opis</b>
2014/30/EU	„o elektromagnetskoj kompatibilnosti“
2014/53/EU <sup>52</sup>	„koji se odnose na radijsku opremu“
(EU) 2023/1542	„o baterijama i otpadnim baterijama“

i primjenjuju se sljedeće norme i/ili tehničke specifikacije:

EN IEC 62133-2:2017+A1:2021

EN IEC 62133-2:2017<sup>53</sup>

IEC 63370:2022

EN 61000-6-1:2007/EN IEC 61000-6-1:2019,  
EN 61000-6-3:2007+A1:2011+AC:2012, EN IEC  
61000-6-3:2021<sup>54</sup>

ETSI EN 301 489-1 v.1.9.2, ETSI EN 301 489-17  
v.3.2.4, ETSI 300 328 v.2.2.2<sup>55</sup>

EN IEC 63000:2018

Druga ispitivanja koja se odnose na transportiranje  
opasne robe;

UN 38.3, izdanje 7

Huskvarna, 10. 4. 2026.



Lars Roos

Direktor odjela za istraživanje i razvoj, kompetencijski  
centar za baterije

Husqvarna AB, ŠVEDSKA

Osoba odgovorna za tehničku dokumentaciju



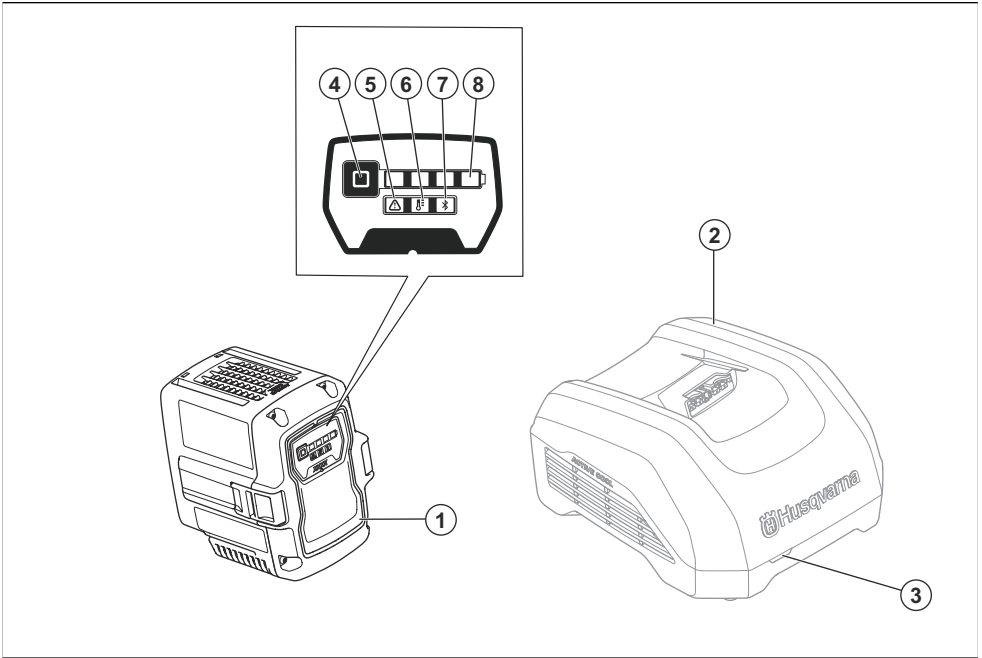
<sup>52</sup> \* Primjenjivo na verzije s komunikacijom Bluetooth®.

<sup>53</sup> Primjenjivo samo za 40-B220X.

<sup>54</sup> Ispitivanje elektromagnetske kompatibilnosti također je provedeno na različitim proizvodima s baterijom.

<sup>55</sup> \* Primjenjivo na verzije s komunikacijom Bluetooth®.

## A termék áttekintése



1. Akkumulátor
2. Akkumulátortöltő (tartozék)
3. Töltés- és hibajelző
4. Töltöttségi állapot gomb
5. Hibajelző
6. Akkumulátor-hőmérséklet visszajelző
7. Bluetooth® jelzőlámpa (ha van)
8. Töltöttségi állapot jelzője

győződjön meg róla, hogy megértette az összes utasítást.

## A terméken található jelzések



Körültekintően járjon el, és megfelelően használja a terméket. A gép a kezelő és mások súlyos sérülését és halálát is okozhatja.



Figyelmesen olvassa el az akkumulátor, a jóváhagyott töltő és az akkumulátort használó vezeték nélküli termék használati utasítását. A használati utasításokat a [www.husqvarna.com/support](http://www.husqvarna.com/support) oldalon találja. Keresse meg a modellnevet. A termék használata előtt



Veszélyes feszültség.



Használható esőben.



Fröccsenő víz ellen védett.



A termék megfelel a vonatkozó EK-irányelveknek és -előírásoknak.



A termék újrahasznosítását egy megfelelő, az elektromos és elektronikus berendezések újrahasznosítására szolgáló ponton kell elvégezni.



A termék és a termék csomagolása nem minősül háztartási hulladéknak.



Ne merítse vízbe az akkumulátort.



Ha a termék *Bluetooth*<sup>®</sup> vezeték nélküli technológiával is rendelkezik, a *Bluetooth*<sup>®</sup> szimbólum fel van tüntetve a terméknév címkéjén. Lásd: *Bluetooth*<sup>®</sup> vezeték nélküli technológia 85. oldalon.

**Megjegyzés:** A terméken szereplő többi jelölés/címke néhány piac specifikus vizsgáztatási követelményeire vonatkozik.

## Termékleírás

A(z) Husqvarna 40-B140X, 40-B220X, 40-B330X, 40-B360X, 40-B540X egy hordozható, újratölthető, 36 V-os Li-ion akkumulátor a(z) Husqvarna akkumulátoros szerszámaihoz.

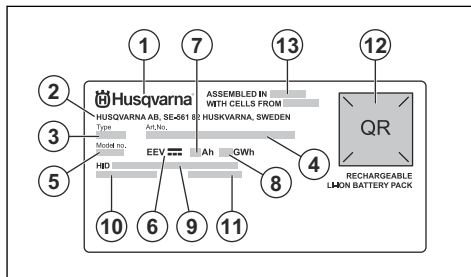
Folyamatos termékfejlesztési folyamatunk részeként a(z) Husqvarna fenntartja a jogot, hogy előzetes értesítés nélkül módosítsa a termékek kialakítását és/vagy megjelenését.

## Rendeltetésszerű használat

Ezek az akkumulátorok a(z) Husqvarna akkumulátoros szerszámaihoz valók. Olvassa el az elektromos szerszám használati útmutatóját, hogy megbizonyosodjon arról, hogy az akkumulátor az adott szerszámhoz alkalmas-e.

**Megjegyzés:** A használatot nemzeti vagy helyi előírások szabályozhatják. Tartsa be a vonatkozó előírásokat. Ezek az akkumulátorok jóváhagyott akkumulátortöltőkkel használhatók. Lásd: *Jóváhagyott akkumulátortöltők* 87. oldal.

## Adattábla



1. Márka
2. Gyártó címe
3. Típus
4. Cikkszám
5. Modell szám
6. Feszültség
7. Amperóra
8. Wattóra
9. Husqvarna azonosító (HID)
10. Akkumulátorcella típusa
11. Sorozatszám a gyártási dátummal
12. Beolvasható kód
13. Az összeszerelés országa

## Védelem

### Biztonsági meghatározások

A figyelmeztetések, óvintézkedések és megjegyzések a használati utasítás kiemelten fontos részeire hívják fel a figyelmet.



**FIGYELMEZTETÉS:** Akkor használatos, ha a kézikönyv utasításainak be nem tartása esetén fennáll a kezelő vagy a közelben tartózkodók sérülésének vagy halálának veszélye.



**VIGYÁZAT:** Akkor használatos, ha a kézikönyv utasításainak be nem tartása esetén fennáll a vagyoni kár, illetve a termék vagy a környező terület károsodásának veszélye.

**Megjegyzés:** További információt biztosít az adott helyzetben szükséges tennivalókról.

### Fontos biztonsági előírások



**FIGYELMEZTETÉS:** Olvassa el az összes biztonsági figyelmeztetést és az összes utasítást. A figyelmeztetések és az utasítások figyelmen kívül hagyása áramütést, tüzet és/vagy komoly sérülést okozhat.

**Megjegyzés:** Tegyen el minden figyelmeztetést és utasítást.

- A Husqvarna által jóváhagyott akkumulátortöltőt kizárólag eredeti Husqvarna akkumulátorok töltésére használja. Az akkumulátorok szoftveresen kódolva vannak.
- A jóváhagyott tölthető Husqvarna akkumulátorokat kizárólag a kompatibilis Husqvarna termékek tápellátására használja. Ne használja az akkumulátort más eszközök áramforrásaként, mivel ez balesetveszélyes.
- Ne próbálkozzon az akkumulátor szétszerelésével vagy megjavításával. Minden javítást csak márkakereskedő végezhet el.
- Tartsa távol az akkumulátort a közvetlen napsütéstől, hőtől és nyílt lángtól. Az akkumulátor súlyos égési, illetve vegyi égési sérüléseket okozhat.
- Ne használjon sérült akkumulátort vagy akkumulátortöltőt.

- Ne tegye ki az akkumulátort mechanikai behatásoknak.
- Az akkumulátor gyermekektől elzárva tartandó.
- Az akkumulátort tartsa tisztán és szárazon.
- Ha bekoszolódnak, az akkumulátorsarukat tiszta és száraz ruhával tisztítsa meg.
- Ha az akkumulátor teljesen feltöltődött, vegye ki a töltőből.
- Használaton kívül és a szállításhoz vegye ki az akkumulátort a termékből.
- A tárolás során tartsa az akkumulátorokat távol a fém tárgyaktól, például szegektől, csavaroktól és ékszerektől.

---

## Kezelés

---

### Kezelés

- Az akkumulátort csak az ajánlott hőmérséklet-tartományban működtesse és tárolja. Lásd: *Ajánlott hőmérséklet-tartomány* 87. oldalon.
- Használat előtt nyomja meg az akkumulátor töltöttségi állapotát jelző gombot az akkumulátor elindításához.
- Az akkumulátort az első használat előtt fel kell tölteni. Mindig jóváhagyott Husqvarna akkumulátortöltőt használjon. Lásd: *Jóváhagyott akkumulátortöltők* 87. oldalon.
- Csökkentse a munkaterhelést és/vagy a sebességet, amikor az akkumulátor hőmérsékletjelzője villog.
- Nyomja meg az akkumulátor töltöttségi állapotát jelző gombot, hogy információt kapjon az akkumulátor töltöttségi állapotáról.

### Husqvarna Connect

Az Husqvarna Connect egy ingyenes mobilalkalmazás. A Husqvarna Connect alkalmazás kibővített funkciókat biztosít Husqvarna termékéhez.

- Bővebb termékinformációk.
- Információk és segítség a termékkalkatrészekkel és a szervizeléssel kapcsolatban.

A Husqvarna Connect szolgáltatásokkal kapcsolatos további információkért lásd: [www.husqvarna.com](http://www.husqvarna.com).

**Megjegyzés:** A Husqvarna Connect alkalmazás nem érhető el minden piacon. További tájékoztatásért forduljon az illetékes szakszervizhez.

3. A termék hozzáadásához kövesse a Husqvarna Connect alkalmazásban megjelenő utasításokat.

**Megjegyzés:** A Husqvarna Connect alkalmazás nem érhető el minden piacon. További tájékoztatásért forduljon az illetékes szakszervizhez.

### Husqvarna Fleet Services™

A Husqvarna Fleet Services™ egy felhőalapú megoldás, amely áttekintést nyújt az összes termékről a kereskedelmi flottakezelő számára. A Husqvarna Fleet Services™ webes szolgáltatásként és alkalmazásként is elérhető. A Husqvarna Fleet Services™ szolgáltatásokkal kapcsolatos további információkért lásd: [www.husqvarna.com](http://www.husqvarna.com).

**Megjegyzés:** A Husqvarna Fleet Services™ felhőalapú megoldás nem érhető el minden piacon.

### A termék csatlakoztatása a Husqvarna Fleet Services™ szolgáltatásokhoz

1. Töltse le az Husqvarna Fleet Services™ alkalmazást mobilkészletére.
2. Jelentkezzen be a Husqvarna Fleet Services™ alkalmazásba.
3. Végezze el a termék és a Husqvarna Fleet Services™ párosítását az utasítások szerint.

### A Husqvarna Connect használatának megkezdése

1. Töltse le a Husqvarna Connect alkalmazást mobilkészletére.
2. Regisztráljon egy fiókot a Husqvarna Connect alkalmazásban.

## Bluetooth® vezeték nélküli technológia

A beépített Bluetooth® vezeték nélküli technológiával rendelkező termékek csatlakozhatnak mobil eszközökhöz.

A Bluetooth® vezeték nélküli technológia szimbóluma akkor jelenik meg, amikor a mobilkészüléke csatlakozik a termékhez.



**Megjegyzés:** Ezt a készüléket a vonatkozó rádiófrekvenciás (RF) expozíciós követelményeknek való megfelelés szempontjából értékelték. Az eszköz hordozható expozíciós körülmények között korlátozás nélkül használható.

## Firmware frissítése vezeték nélkül (Bluetooth® funkcióval rendelkező akkumulátorok esetében)

A Bluetooth® funkcióval rendelkező akkumulátorok automatikusan letöltik és telepítik az új firmware-t.

- A letöltés akkor kezdődik, ha új firmware áll rendelkezésre, és az akkumulátor csatlakozik a Husqvarna Connect alkalmazáshoz vagy a Husqvarna Fleet Services™ szolgáltatáshoz.
- A Bluetooth® jelzőlámpa jelzi, ha az akkumulátor csatlakoztatva van, miközben az akkumulátor kijelzője aktív.
- A firmware letöltése 10–15 percet vesz igénybe. Ha a letöltés megszakad vagy sikertelen, az akkumulátor újra megpróbálja letölteni a firmware-t.
- A firmware telepítése akkor kezdődik, amikor a letöltés befejeződött, és az akkumulátor nincs használatban vagy töltődik.
- A firmware telepítése során a töltöttségi állapotot jelző fények villognak. A firmware telepítése 10–15 másodpercet vesz igénybe.

## Az akkumulátor töltése

Az első használat előtt tölts fel az akkumulátort. Az új akkumulátor töltöttsége 30%. Nyomja meg az akkumulátor töltöttségi állapotát jelző gombot, hogy információt kapjon az akkumulátor töltöttségi állapotáról. Az akkumulátort csak az ajánlott hőmérséklet-tartományban működtesse és tárolja. Lásd: *Ajánlott hőmérséklet-tartomány* 87. oldalon.

1. Helyezze az akkumulátort az akkumulátortöltőbe. Ha az akkumulátortöltőn lévő töltésjelző világítani kezd, az akkumulátor megfelelően érintkezik az akkumulátortöltővel.
2. Ha az akkumulátor teljesen feltöltődött, az akkumulátoron lévő összes töltésjelző világít.
3. Vegye ki az akkumulátort a töltőből.

## Akkumulátortöltési állapot

A Husqvarna lítiumion-akkumulátorok bármilyen töltöttségi szintnél tölthetők vagy használhatók.

Töltöttségi állapot jelzői	Az akkumulátor állapota (töltöttségi állapot)
4 jelzőfény világít	Az akkumulátor töltöttsége 76–100%-os.
3 jelzőfény világít	Az akkumulátor töltöttsége 51–75%-os.
2 jelzőfény világít	Az akkumulátor töltöttsége 26–50%-os.
1 jelzőfény világít	Az akkumulátor töltöttsége 11–25%-os.
1 jelzőfény villog	Az akkumulátor töltöttsége 0–10%-os.

## Hibaelhárítás

### Hibaelhárítás

Hibajelenségek	Ok	Teendő
Egy töltöttségi állapotot jelző fény villog. Bizonyos firmware-verzióval rendelkező termékeknél az akkumulátorhiba-jelző fény is villog.	Az akkumulátor lemerült.	Tölts fel az akkumulátort.

Hibajelenségek	Ok	Teendő
Az akkumulátor hibajelzője villog.	Nagyon alacsony akkumulátor-hőmérséklet nagy munkaterhelés mellett.	Melegítse fel az akkumulátort. Például vigye beltérbe, vagy működtesse alacsony sebességgel, amíg az akkumulátor fel nem melegszik.
	Az akkumulátor nem működik. Az akkumulátor a működési tartományán kívül van.	Vegye ki az akkumulátort a termékből. Várjon 5 percet. Nyomja meg a töltöttségi állapotot jelző gombot.
Az akkumulátor-hőmérséklet jelzője VILÁGÍT.	Az akkumulátor túl hideg vagy túl meleg a használatához.	Az akkumulátort -10 °C és 40 °C közötti környezeti hőmérsékleten tárolja. Ha az akkumulátor hőmérséklete megfelelő, ismét használható.
Az akkumulátor-hőmérséklet jelzője villog.	Az akkumulátor hőmérséklete a határérték közelében van.	Csökkentse a sebességet és/vagy a munkaterhelést. Az akkumulátort +10 °C és +30 °C közötti környezeti hőmérsékleten tárolja az optimális teljesítmény érdekében.
Az akkumulátor-hőmérséklet jelzője VILÁGÍT, amikor az akkumulátor a töltőben van.	Hőmérséklet-ingadozás, az akkumulátor túl hideg vagy túl meleg a töltéshez.	Hagyja lehűlni, vagy vigye beltéri helyiségbe, és melegítse fel az akkumulátort. Ha az akkumulátor hőmérséklete megfelelő, ismét tölthető. A töltőt csak 5 °C és 40 °C közötti környezeti hőmérséklet esetén használja. A töltő napfénytől távol tartandó. Ha a probléma továbbra is fennáll, vegye fel a kapcsolatot márkakereskedőjével.
Az akkumulátor hibajelzője világít.	Az akkumulátorban kritikus hiba lépett fel.	Forduljon az illetékes Husqvarna márkakereskedőhöz.

## Szállítás, tárolás és ártalmatlanítás

### Szállítás és tárolás

- A mellékelt lítium-ion akkumulátorokra a veszélyes anyagokra vonatkozó jogszabályok követelményei érvényesek.
- Kereskedelmi szállításhoz – harmadik fél és szállítványozó cégek esetén is – be kell tartani a csomagolásra és címkézésre vonatkozó speciális előírásokat.
- A termék elküldése előtt forduljon egy veszélyes anyagok tekintetében szakképzett személyhez. Tartsa be az összes vonatkozó nemzeti előírást.
- Ha az akkumulátort becsomagolja, az érintkezőket le kell fedni ragasztószalaggal. A sérülések és balesetek elkerülése érdekében szorosan csomagolja be az akkumulátort.
- Ne tartsa az akkumulátort olyan helyen, ahol elektrosztatikus töltés lehet jelen. Ne tartsa az akkumulátort fém dobozban.
- Helyezze az akkumulátort száraz, fagymentes és tiszta helyre, ahol megfelelő a hőmérséklet.

- Az akkumulátort csak az ajánlott hőmérséklet-tartományban működtesse és tárolja. Lásd: *Ajánlott hőmérséklet-tartomány* 87. oldalon.
- Hosszú ideig való tárolás előtt tölts fel az akkumulátort 30–50%-ra.
- Tárolás előtt tisztítsa meg az akkumulátort.

### Hulladékkezelés

A szimbólum azt jelzi, hogy a termék nem minősül háztartási hulladéknak. Hasznosítsa újra az elektromos és elektronikus berendezések helyi gyűjtőrendszerében. Ez hozzájárul az élettartam végi hulladékkezeléshez. További információért forduljon a helyi hatóságokhoz, a hulladék ártalmatlanítási szolgáltatást végző vállalkozáshoz, a szervizkereskedőjéhez vagy kiskereskedőhöz. A helytelen ártalmatlanítás potenciálisan negatív

hatással lehet a környezetre és az emberi egészségre a veszélyes anyagok esetleges jelenléte miatt.



**Megjegyzés:** A szimbólum a terméken vagy annak csomagolásán található.

## Műszaki adatok

### Bejegyzett védjegyek

A *Bluetooth®* szövegdjegy és embléma a(z) *Bluetooth SIG, inc.* bejegyzett védjegye, és ezen jelzések Husqvarna általi használata licencelés keretében történik.

### Műszaki adatok

Frekvenciasávok, MHz	2400–2483,5
Maximális átvitt teljesítmény, dBm	4

A további műszaki adatokkal kapcsolatban tekintse meg az akkumulátoron található adattáblát.

### Ajánlott hőmérséklet-tartomány



**VIGYÁZAT:** Ha az akkumulátor hőmérséklete erős munkaterhelés mellett

### Jóváhagyott akkumulátortöltők

Táblázat

Akkumulátortöltő	QC330	QC500	40-C500X	40-C750X	40-C1000X4
Kimeneti feszültség, V	36	36	36	36	36
Bemeneti feszültség, V	100–240	100–240	100–240	100–240	100–240
Frekvencia, Hz	50–60	50–60	50–60	50–60	50–60
Teljesítmény, W	330	500	500	750	1000 <sup>56</sup>

Táblázat

Akkumulátortöltő	40-C500X	40-C750X
Kimeneti feszültség, V	36	36

<sup>56</sup>

Egyetlen akkumulátor töltése esetén a maximális teljesítmény 600 W.

<b>Akkumulátortöltő</b>	<b>40-C500X</b>	<b>40-C750X</b>
<b>Bemeneti feszültség, V</b>	100–240	100–240
<b>Frekvencia, Hz</b>	50–60	50–60
<b>Teljesítmény, W</b>	500	750

## Megfelelőségi nyilatkozat

### Megfelelőségi nyilatkozat

A Husqvarna AB, SE-561 82 Huskvarna, SVÉDORSZÁG, tel.: +46 36 146500), a saját felelősségére kijelenti, hogy a termék:

<b>Leírás</b>	<b>Újratölthető Li-ion akkumulátor</b>
<b>Márka</b>	Husqvarna®
<b>Típus/modell</b>	40-B140X, 40-B220X, 40-B330X, 40-B360X, 40-B540X
<b>Megjelölés</b>	2026 és újabb sorozatszámok

megfelel a következő módosított uniós irányelveknek és rendeleteknek:

<b>Irányelv/rendelet</b>	<b>Leírás</b>
2014/30/EU	„elektromágneses megfelelésre vonatkozó”
2014/53/EU <sup>57</sup>	„rádióberendezésekkel kapcsolatos”
2023/1542/EU rendelet	„akkumulátorokra és hulladékakkumulátorokra vonatkozó”

valamint hogy az alábbi szabványok és/vagy műszaki előírások kerültek alkalmazásra;

EN IEC 62133-2:2017+A1:2021

EN IEC 62133-2:2017<sup>58</sup>

IEC 63370:2022

EN 61000-6-1:2007/EN IEC 61000-6-1:2019,

EN 61000-6-3:2007+A1:2011+AC:2012, EN IEC 61000-6-3:2021<sup>59</sup>

ETSI EN 301 489-1 v.1.9.2, ETSI EN 301 489-17 v.3.2.4, ETSI 300 328 v.2.2.2<sup>60</sup>

EN IEC 63000:2018

Egyéb, a veszélyes áruk szállításával kapcsolatos vizsgálatok;

UN 38.3, 7. kiadás

Huskvarna, 2026. 04. 10.



Lars Roos

Kutatási és fejlesztési igazgató, Akkumulátor-kompetenciaközpont

Husqvarna AB, SVÉDORSZÁG

A műszaki dokumentációk felelőse



<sup>57</sup> A Bluetooth®-kapcsolattal rendelkező változatokra vonatkozik.

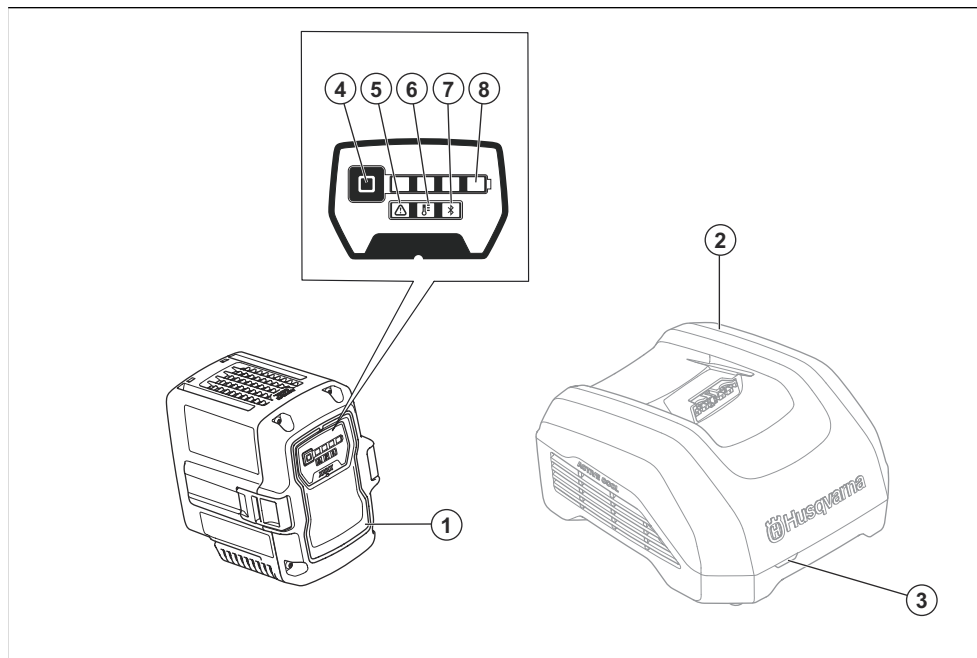
<sup>58</sup> Kizárólag a(z) 40-B220X termékre vonatkozik.

<sup>59</sup> Az EMC-vizsgálatokat az akkumulátort használó különböző termékeken is elvégezték.

<sup>60</sup> A Bluetooth®-kapcsolattal rendelkező változatokra vonatkozik.

# Introduzione

## Panoramica del prodotto



1. Batteria
2. Caricabatterie (accessorio)
3. Indicatore di carica e di errore
4. Pulsante livello di carica
5. Indicatore di errore
6. Spia temperatura della batteria
7. Indicatore Bluetooth® (se applicabile)
8. Spia stato di carica

compreso tutte le istruzioni prima di utilizzare il prodotto.

## Simboli riportati sul prodotto



Prestare attenzione e utilizzare il prodotto correttamente. Il prodotto può causare gravi lesioni o morte dell'operatore o altre persone.



Leggere attentamente il manuale dell'operatore per la batteria, il caricabatterie approvato e il prodotto senza fili che utilizza questa batteria. I manuali sono disponibili all'indirizzo [www.husqvarna.com/support](http://www.husqvarna.com/support). Cercare il nome del modello. Accertarsi di aver



Tensione pericolosa.



Utilizzabile sotto la pioggia.



Protezione contro gli spruzzi d'acqua.



Il prodotto è conforme alle direttive e normative CE applicabili.



Riciclare il prodotto in un punto di riciclaggio applicabile per apparecchiature elettriche ed elettroniche.



Il prodotto o l'imballaggio del prodotto non è un rifiuto domestico.



Non immergere la batteria in acqua.



Se il prodotto include la tecnologia wireless *Bluetooth*<sup>®</sup>. Il simbolo *Bluetooth*<sup>®</sup> sarà presente sull'etichetta del nome del prodotto. Fare riferimento a *Tecnologia wireless Bluetooth*<sup>®</sup> alla pagina 91.

**Nota:** I restanti simboli/decalcomanie sul prodotto riguardano particolari requisiti necessari per ottenere la certificazione in determinate aree commerciali.

## Descrizione del prodotto

Husqvarna 40-B140X, 40-B220X, 40-B330X, 40-B360X, 40-B540X è una batteria agli ioni di litio portatile e ricaricabile da 36 V per utensili a batteria Husqvarna.

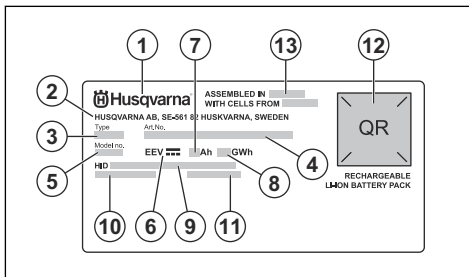
Nell'ambito del nostro continuo processo di sviluppo dei prodotti, Husqvarna si riserva il diritto di modificare il design e/o l'aspetto dei prodotti senza preavviso.

## Uso previsto

Queste batterie sono destinate agli utensili a batteria Husqvarna. Leggere il manuale dell'elettrotensile per assicurarsi che la batteria sia approvata per tale utensile.

**Nota:** La normativa nazionale o locale può regolare l'utilizzo. Rispettare le normative applicabili. Queste batterie sono destinate all'uso con caricabatteria approvati. Fare riferimento a *Caricabatterie omologati alla pagina 94*.

## Piastrina modello



1. Marchio
2. Indirizzo del produttore
3. Tipo
4. Codice articolo
5. Codice modello
6. Tensione
7. Ampere-ora
8. Watt-ora
9. Husqvarna identity (HID)
10. Tipo di cella batteria
11. Numero di serie con data di fabbricazione
12. Codice scansionabile
13. Paese di assemblaggio

## Sicurezza

### Definizioni di sicurezza

Le diciture Avvertenza, Attenzione e Note evidenziano parti molto importanti del manuale.



**AVVERTENZA:** Segnala un rischio di lesioni anche fatali all'operatore o alle persone presenti nel caso in cui le istruzioni del manuale non vengano rispettate.



**ATTENZIONE:** Segnala un rischio di danni al prodotto, ad altri materiali o all'area adiacente nel caso in cui le istruzioni del manuale non vengano rispettate.

**Nota:** Fornisce ulteriori informazioni necessarie in una determinata situazione.

### Importanti istruzioni di sicurezza



**AVVERTENZA:** Leggere attentamente tutte le avvertenze e le istruzioni di sicurezza. La mancata osservanza delle avvertenze e delle istruzioni può dare luogo a scosse elettriche, incendi e/o gravi lesioni.

**Nota:** Conservare tutte le avvertenze e le istruzioni.

- Utilizzare solo i caricabatterie approvati Husqvarna per caricare le batterie originali Husqvarna. Le batterie sono codificate mediante software.
- Utilizzare le batterie Husqvarna ricaricabili approvate come alimentazione per i soli prodotti Husqvarna in questione. Per evitare il rischio di lesioni, non utilizzare la batteria come fonte di alimentazione per altri dispositivi.

- Non tentare di smontare o riparare la batteria. Tutte le riparazioni devono essere eseguite esclusivamente da un concessionario autorizzato.
- Tenere la batteria lontano dalla luce del sole, dal calore o da fiamme libere. La batteria può causare bruciature e/o ustioni chimiche.
- Non utilizzare una batteria o un caricabatterie danneggiati.
- Non causare shock meccanico alla batteria.
- Tenere la batteria fuori dalla portata dei bambini.
- Tenere la batteria pulita e asciutta.
- Pulire i terminali della batteria con un panno pulito e asciutto, se necessario.
- Non tenere la batteria nel caricabatterie quando è completamente carica.
- Rimuovere la batteria quando non si usa il prodotto e durante il trasporto.
- Conservare le batterie lontano da oggetti metallici, come ad esempio chiodi, viti o gioielli.

---

## Funzionamento

---

### Funzionamento

- Utilizzare e conservare la batteria solo nell'intervallo di temperatura consigliato. Fare riferimento a *Temperatura operativa consigliata alla pagina 94*.
- Premere il pulsante dello stato della ricarica per avviare la batteria prima dell'utilizzo.
- È necessario ricaricare la batteria prima di utilizzarla per la prima volta. Utilizzare solo caricabatterie approvati Husqvarna. Fare riferimento a *Caricabatterie omologati alla pagina 94*.
- Ridurre il carico di lavoro e/o la velocità quando l'indicatore di temperatura della batteria lampeggia.
- Premere il pulsante dello stato della ricarica per avere le informazioni sullo stato di carica della batteria.

### Husqvarna Connect

Husqvarna Connect è un'app gratuita per i dispositivi mobili. L'app Husqvarna Connect fornisce funzioni estese per il prodotto Husqvarna.

- Informazioni aggiuntive sul prodotto.
- Dettagli, guida, parti del prodotto e manutenzione.

Per ulteriori informazioni su Husqvarna Connect, fare riferimento a [www.husqvarna.com](http://www.husqvarna.com).

**Nota:** L'app Husqvarna Connect è disponibile per il download in tutti i mercati. Rivolgersi al centro di assistenza per maggiori informazioni.

### Primo utilizzo di Husqvarna Connect

1. Scaricare l'app Husqvarna Connect sul proprio dispositivo mobile.
2. Registrarsi nell'app Husqvarna Connect.
3. Seguire le istruzioni dell'app Husqvarna Connect per aggiungere il prodotto.

**Nota:** L'app Husqvarna Connect è disponibile per il download in tutti i mercati. Rivolgersi al centro di assistenza per maggiori informazioni.

### Husqvarna Fleet Services™

Husqvarna Fleet Services™ è una soluzione su cloud che fornisce ai fleet manager commerciali una panoramica di tutti i prodotti. Husqvarna Fleet Services™ è disponibile come servizio Web e come app. Per ulteriori informazioni su Husqvarna Fleet Services™, fare riferimento a [www.husqvarna.com](http://www.husqvarna.com).

**Nota:** La soluzione cloud Husqvarna Fleet Services™ non è disponibile in tutti i paesi.

### Collegamento al prodotto tramite Husqvarna Fleet Services™

1. Scaricare l'app Husqvarna Fleet Services™ sul dispositivo mobile.
2. Eseguire il login all'app Husqvarna Fleet Services™.
3. Attenersi alle istruzioni relative all'abbinamento del prodotto a Husqvarna Fleet Services™.

### Tecnologia wireless Bluetooth®

I prodotti dotati di tecnologia wireless Bluetooth® integrata possono connettersi ai dispositivi mobili.

Il simbolo per la tecnologia wireless *Bluetooth®* si accende quando il dispositivo mobile è collegato al prodotto.



**Nota:** Questo dispositivo è stato valutato per la conformità ai requisiti applicabili di esposizione alle radiofrequenze (RF). Il dispositivo è idoneo all'impiego in modalità portatile senza alcuna restrizione.

### Aggiornamento del firmware Over The Air (per batterie con Bluetooth® integrato)

Le batterie con Bluetooth® scaricano e installano automaticamente il nuovo firmware.

- Il download viene avviato quando è disponibile un nuovo firmware e la batteria è collegata a Husqvarna Connect oppure a Husqvarna Fleet Services™.
- L'indicatore Bluetooth® mostra quando la batteria è collegata mentre il display della batteria è attivo.
- Il download del firmware richiede 10-15 minuti. Se il download si interrompe o non riesce, la batteria tenta di scaricare nuovamente il firmware.
- L'installazione del firmware ha inizio quando il download è completo e la batteria non è in uso o in carica.
- Gli indicatori del livello di carica lampeggiano durante l'installazione del firmware. L'installazione del firmware richiede 10-15 secondi.

## Ricarica della batteria

Caricare la batteria prima del primo utilizzo. Una batteria nuova è carica al 30%. Premere il pulsante dello stato della ricarica per avere le informazioni sullo stato di carica della batteria. Utilizzare e conservare la batteria solo nell'intervallo di temperatura consigliato. Fare riferimento a *Temperatura operativa consigliata alla pagina 94*.

1. Inserire la batteria nel caricabatteria. Quando l'indicatore di carica sul caricabatterie si accende, la batteria è collegata correttamente al caricabatterie.

2. La batteria è completamente carica quando tutti gli indicatori del livello di carica sono accesi.
3. Rimuovere la batteria dal caricabatterie.

## Stato di ricarica della batteria

È possibile utilizzare o caricare una batteria agli ioni di litio Husqvarna a tutti i livelli di carica.

Spie del livello di carica	Stato della batteria (stato di carica)
Sono accese 4 spie	La batteria è carica al 76% - 100%.
Sono accese 3 spie	La batteria è carica al 51% - 75%.
Sono accese 2 spie	La batteria è carica al 26% - 50%.
È accesa 1 spia	La batteria è carica al 11% - 25%.
1 spia lampeggia	La batteria è carica al 0% - 10%.

---

## Risoluzione dei problemi

---

### Risoluzione dei problemi

Sintomi	Causa	Azione
Un indicatore del livello di carica lampeggia. Per i prodotti con alcune versioni firmware, lampeggia anche l'indicatore di errore della batteria.	La batteria è scarica.	Caricare la batteria.
L'indicatore di errore della batteria lampeggia.	Carico di lavoro pesante in combinazione con la temperatura della batteria molto bassa.	Lasciare riscaldare la batteria. Ad esempio, spostando il dispositivo all'interno o azionandolo a bassa velocità finché la batteria non si riscalda.
	La batteria non funziona. La carica di funzionamento della batteria è al limite.	Rimuovere la batteria dal prodotto. Attendere 5 minuti. Premere il pulsante dello stato di carica.
L'indicatore di temperatura della batteria è acceso.	La batteria è troppo fredda o troppo calda per essere usata.	Utilizzare la batteria a una temperatura ambiente compresa tra -10 °C (14 °F) e 40 °C (104 °F). Quando la batteria ha la temperatura corretta, può essere usata di nuovo.
L'indicatore di temperatura della batteria lampeggia.	La batteria sta per superare i limiti della temperatura.	Ridurre la velocità e/o il carico di lavoro. Per prestazioni ottimali, utilizzare la batteria a una temperatura ambiente compresa tra +10 °C (50 °F) e +30 °C (86 °F).

Sintomi	Causa	Azione
L'indicatore di temperatura della batteria è acceso quando la batteria si trova nel caricabatteria.	Deviazione di temperatura, la batteria è troppo fredda o troppo calda per poter essere caricata.	Lasciare raffreddare la batteria o spostarla all'interno per riscaldarla. Quando la batteria raggiunge la temperatura corretta, può essere usata di nuovo. Assicurarsi di utilizzare il caricabatteria solo con una temperatura ambiente compresa tra 5 °C (41 °F) e 40 °C (104 °F). Tenere il caricabatteria lontano dalla luce solare. Se il problema persiste, contattare il rivenditore.
L'indicatore di errore della batteria si accende.	La batteria presenta un errore critico.	Contattare il rivenditore con servizio di assistenza Husqvarna.

## Trasporto, stoccaggio e smaltimento

### Trasporto e rimessaggio

- Le batterie agli ioni di litio in dotazione rispettano i requisiti di legge sulle merci pericolose.
- Rispettare i requisiti speciali riportati sulla confezione e sulle etichette per il trasporto commerciale, comprese quelle di terzi e corrieri.
- Parlare con personale che ha seguito una formazione specifica in materiali pericolosi prima di inviare il prodotto. Rispettare tutte le norme nazionali vigenti.
- Quando si inserisce la batteria in un contenitore, applicare del nastro adesivo sui contatti. Inserire la batteria nel contenitore in modo da garantirne la massima aderenza per evitare danni e incidenti.
- Non conservare la batteria in aree elettricamente statiche. Non conservare mai la batteria in una scatola di metallo.
- Mettere la batteria in un luogo asciutto, non soggetto a gelate e pulito con una temperatura corretta.
- Utilizzare e conservare la batteria solo nell'intervallo di temperatura consigliato. Fare riferimento a *Temperatura operativa consigliata alla pagina 94*.
- Caricare la batteria dal 30% al 50% prima di immagazzinarla per lunghi periodi.

- Pulire la batteria prima di riportarla per lunghi periodi.

### Smaltimento

Questo simbolo indica che il prodotto non è un rifiuto domestico. Riciclarlo tramite il sistema di raccolta locale per le apparecchiature elettriche ed elettroniche. Ciò contribuisce a una corretta gestione dei rifiuti al termine del ciclo di vita. Per informazioni, contattare le autorità locali, i servizi di smaltimento dei rifiuti domestici, il concessionario o il rivenditore di zona. Lo smaltimento non corretto può avere potenziali effetti negativi sull'ambiente e sulla salute, a causa della potenziale presenza di sostanze pericolose.



**Nota:** Il simbolo compare sul prodotto o sull'imballaggio.

## Dati tecnici

### Marchi registrati

Il marchio denominativo e il logo *Bluetooth®* sono marchi registrati di proprietà di *Bluetooth SIG, inc.* e qualsiasi utilizzo di tali marchi da parte di Husqvarna è soggetto a licenza.

Potenza di trasmissione massima, dBm	4
--------------------------------------	---

Per altri dati tecnici, fare riferimento alla targhetta dati di funzionamento sulla batteria.

### Dati tecnici

Bande di frequenza, MHz	2400 – 2483,5
-------------------------	---------------

## Temperatura operativa consigliata



**ATTENZIONE:** Un carico di lavoro pesante con la temperatura della batteria inferiore a 0 °C (32 °F) può causare un errore temporaneo della batteria.



**ATTENZIONE:** Utilizzare e conservare la batteria solo nell'intervallo di temperatura consigliato. Se la temperatura

non rientra in questo intervallo, la batteria non funzionerà correttamente.



**ATTENZIONE:** La batteria non si ricarica se la temperatura non rientra nell'intervallo di temperatura consigliato.

Temperatura d'uso	Temperatura di ricarica	Temperatura di stoccaggio
-10-40 °C / 14-104 °F	5-40 °C / 41-104 °F	5-25 °C / 41-77 °F

## Caricabatterie omologati

Tabella

Caricabatterie	QC330	QC500	40-C500X	40-C750X	40-C1000X4
Tensione di uscita, V	36	36	36	36	36
Tensione di entrata, V	100-240	100-240	100-240	100-240	100-240
Frequenza, Hz	50-60	50-60	50-60	50-60	50-60
Potenza, W	330	500	500	750	1000 <sup>61</sup>

Tabella

Caricabatterie	40-C500X	40-C750X
Tensione di uscita, V	36	36
Tensione di entrata, V	100-240	100-240
Frequenza, Hz	50-60	50-60
Potenza, W	500	750

## Dichiarazione di conformità

### Dichiarazione di conformità

Husqvarna AB, SE-561 82 Huskvarna, SVEZIA, tel.:  
+46 36 146500, dichiara sotto la propria esclusiva  
responsabilità che il prodotto indicato:

Descrizione	Batteria ricaricabile agli ioni di litio
Marchio	Husqvarna®

<sup>61</sup>

La potenza massima quando si carica una sola batteria è di 600 W.

<b>Descrizione</b>	<b>Batteria ricaricabile agli ioni di litio</b>
<b>Tipo/Modello</b>	40-B140X, 40-B220X, 40-B330X, 40-B360X, 40-B540X
<b>Identificazione</b>	Numeri di serie a partire da 2026 e successivi

in conformità alle seguenti direttive e normative UE e successive modifiche:

<b>Direttiva/norma</b>	<b>Descrizione</b>
2014/30/UE	"sulla compatibilità elettromagnetica"
2014/53/UE <sup>62</sup>	"relativo alle apparecchiature radio"
(UE) 2023/1542	"riguardante le batterie le batterie scariche"

e che sono applicati gli standard e/o le specifiche tecniche seguenti;

EN IEC 62133-2:2017+A1:2021

EN IEC 62133-2:2017<sup>63</sup>

IEC 63370:2022

EN 61000-6-1:2007/EN IEC 61000-6-1:2019,  
EN 61000-6-3:2007+A1:2011+AC:2012, EN IEC  
61000-6-3:2021<sup>64</sup>

ETSI EN 301 489-1 v.1.9.2, ETSI EN 301 489-17  
v.3.2.4, ETSI 300 328 v.2.2.2<sup>65</sup>

EN IEC 63000:2018

Altri test relativi al trasporto di merci pericolose;

UN 38.3 Edition 7

Huskvarna, 10/04/2026



Lars Roos

R&D Director, Battery Competence Center

Huskvarna AB, SVEZIA

Responsabile della documentazione tecnica



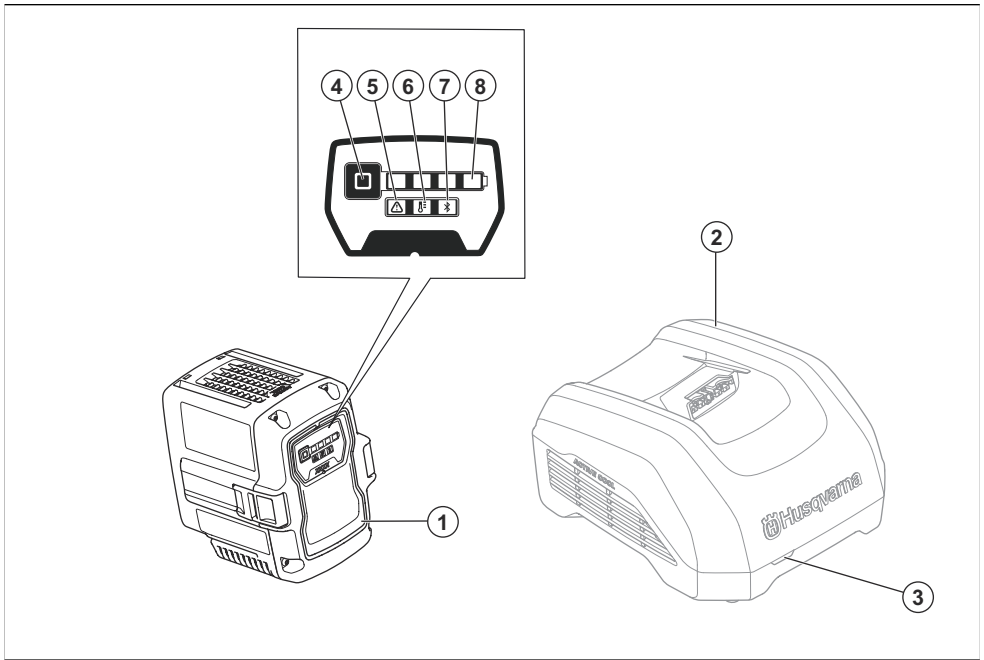
<sup>62</sup> Applicabile per i modelli che includono la comunicazione Bluetooth®.

<sup>63</sup> Applicabile solo per 40-B220X.

<sup>64</sup> Test EMC eseguito anche su vari prodotti utilizzando la batteria.

<sup>65</sup> Applicabile per i modelli che includono la comunicazione Bluetooth®.

## 製品の概要



1. バッテリー
2. バッテリー充電器 (アクセサリ)
3. 充電およびエラーインジケータ
4. 充電状態ボタン
5. エラーインジケータ
6. バッテリー温度インジケータ
7. Bluetooth® インジケータ (該当する場合)
8. 充電状態インジケータ



危険な電圧。



雨天時に使用できます。



水の飛沫から保護します。



本製品は、該当する EC 指令および規制に準拠しています。



電気・電子機器の適切な処理方法でリサイクルしてください。

## 製品に表記されるシンボルマーク



十分に注意し、本製品を正しく使用してください。本製品により、作業員や付近にいる人が重傷を負う、または死亡するおそれがあります。



バッテリー、認定充電器、およびこのバッテリーを使用するコードレス製品の取扱説明書を注意深くお読みください。マニュアルは [www.husqvarna.com/support](http://www.husqvarna.com/support) で入手できます。モデル名を検索してください。本製品を使用する前に、必ずすべての指示を理解してください。



本製品や本製品のパッケージは、一般廃棄物ではありません。



バッテリーは水の中に入れてください。



本製品が Bluetooth® ワイヤレステクノロジーに対応していることを示します。Bluetooth® マークは製品名のラベルに表示されます。Bluetooth® ワイヤレステクノロジー 98 ページを参照してください。

**注記：** 本製品に付いている他のシンボル / デカールは、一部の商業地域に向けた認定条件を示します。

## 製品の説明

Husqvarna 40-B140X, 40-B220X, 40-B330X, 40-B360X, 40-B540X は、Husqvarna バッテリー電源ツール用のポータブル充電式リチウムイオン 36 V バッテリーです。

継続的な製品開発の一環として、Husqvarna は、製品の設計や外観を予告なく変更する権利を留保します。

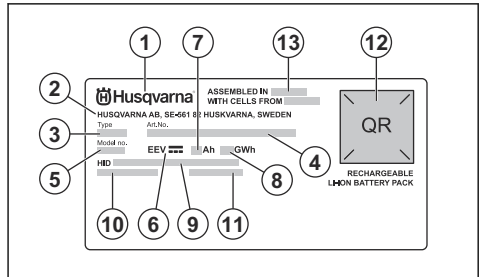
## 用途

このバッテリーは、Husqvarna バッテリー式ツール用です。パワーツールのマニュアルをお読みになり、バッテリーがお使いのパワーツール用に承認されていることを確認してください。

**注記：** 国や地域の法規制に従って使用してください。適用される規制を遵守してください。これらのバッテリ

ーは、承認済みのバッテリー充電器と共に使用してください。認可されたバッテリー充電器 101 ページを参照してください。

## シリアルプレート



1. ブランド
2. メーカー住所
3. タイプ
4. 製品番号
5. モデル番号
6. 電圧
7. アンペア時
8. ワット時
9. ハスクバーナ ID (HID)
10. バッテリーセル型式
11. シリアル番号と製造日
12. スキャン用のコード
13. 組立国

## 安全性

### 安全性の定義

警告、注意、注記は、取扱説明書の特に重要な部分を示しています。



**警告：** 取扱説明書の指示に従わない場合、使用者が負傷したり、死亡したりするが、あるいは付近の人に損傷を与える危険があることを意味します。



**注意：** 取扱説明書の指示に従わない場合、製品や他の物品、または隣接するエリアに損傷を与える危険があることを意味します。

**注記：** 特定の状況で必要とされる詳細情報を提供するために使用されます。

### 重要な安全注意事項



**警告：** 警告および指示はすべて読んでください。警告や指示に従わない場合、感電、火災、あるいは深刻な傷害を招くことがあります。

**注記：** すべての警告および説明を保管してください。

- 認可された Husqvarna のバッテリーの充電には、Husqvarna 純正バッテリー充電器のみを使用してください。バッテリーはソフトウェアで暗号化されています。
- 再充電可能な Husqvarna 認定バッテリーのみを、対応する Husqvarna 製品の電源として使用してください。負傷を防ぐため、このバッテリーを他の装置の電源として使用しないでください。

- バッテリーを分解したり、修理しようとしたりしないでください。すべての修理は、正規代理店のみ実施できます。
- バッテリーは直射日光や熱、裸火から保護してください。バッテリーによりやけどや化学熱傷を負うおそれがあります。
- 破損したバッテリーやバッテリー充電器を使用しないでください。
- バッテリーに機械的な衝撃を与えないでください。
- バッテリーは子供が近づけない場所に保管してください。

- バッテリーは清潔かつ乾燥した状態で保管してください。
- バッテリーの端子の汚れは、清潔で乾燥した布で清掃してください。
- バッテリーが完全に充電されたら、バッテリーをバッテリー充電器から外してください。
- 使用しないときや搬送中は、本製品からバッテリーを取り外してください。
- バッテリーはくぎ、ネジ、または宝飾品などの金属から離して保管してください。

## 動作

### 動作

- バッテリーの操作および保管は、推奨温度範囲内でのみ行ってください。推奨温度範囲 100 ページを参照してください。
- 充電ステータスボタンを押し、バッテリーを起動してから使用してください。
- バッテリーは、最初に使用する前に充電する必要があります。必ず Husqvarna 認定バッテリー充電器を使用してください。認可されたバッテリー充電器 101 ページを参照してください。
- バッテリー温度インジケーターが点滅しているときは、作業負荷や速度を下げてください。
- 充填ステータスボタンを押すと、バッテリーの充電状態が表示されます。

### Husqvarna Connect

Husqvarna Connect は、モバイルデバイス用の無料アプリです。Husqvarna Connect アプリは、お持ちの Husqvarna 製品の拡張機能を提供します。

- 拡張製品情報。
- 製品の部品とサービスに関する情報とヘルプ。

Husqvarna Connect について詳しくは、[www.husqvarna.com](http://www.husqvarna.com) を参照してください。

**注記：** Husqvarna Connect アプリは一部の市場ではダウンロードできません。詳しくは、サービス代理店までお問い合わせください。

### Husqvarna Connect の使用を開始する

1. Husqvarna Connect アプリをモバイルデバイスにダウンロードします。
2. Husqvarna Connect アプリで登録を行います。
3. Husqvarna Connect アプリの指示に従い、本製品を追加します。

**注記：** Husqvarna Connect アプリは一部の市場ではダウンロードできません。詳しくは、サービス販売店までお問い合わせください。

### Husqvarna Fleet Services™

Husqvarna Fleet Services™ は、業務用管理者にすべての製品の概要を提供するクラウドソリューションです。Husqvarna Fleet Services™ は、Web サービスとして、およびアプリとして使用できます。Husqvarna Fleet Services™ について詳しくは、[www.husqvarna.com](http://www.husqvarna.com) を参照してください。

**注記：** Husqvarna Fleet Services™ クラウドソリューションは、一部の市場では利用できません。

### 本製品と Husqvarna Fleet Services™ の接続方法

1. Husqvarna Fleet Services™ アプリをモバイルデバイスにダウンロードします。
2. Husqvarna Fleet Services™ アプリにログインします。
3. 本製品と Husqvarna Fleet Services™ のペアリングの手順に従ってください。

### Bluetooth® ワイヤレステクノロジー

Bluetooth® ワイヤレステクノロジー搭載製品は、モバイルデバイスに接続できます。

お使いのモバイルデバイスを本製品に接続すると、Bluetooth® ワイヤレステクノロジーのマークが表示されます。



**注記：** 本装置は、適用される無線周波数 (RF) 暴露要件に適合していることが評価されています。本装置は、携帯時の暴露条件において制限なく使用できます。

### ファームウェアの無線更新 (Bluetooth® を内蔵したバッテリー)

Bluetooth® を内蔵したバッテリーは、新しいファームウェアを自動的にダウンロードしてインストールします。

- 新しいファームウェアが利用可能になり、バッテリーが Husqvarna Connect または Husqvarna Fleet

Services™ に接続されると、ダウンロードが開始されます。

- バッテリーディスプレイがアクティブなときにバッテリーが接続されると、Bluetooth® インジケータが表示されます。
- ファームウェアのダウンロードには 10 ~ 15 分かかります。ダウンロードが停止または失敗した場合、バッテリーはファームウェアのダウンロードを再試行します。
- ファームウェアのインストールは、ダウンロードが完了し、バッテリーが使用中または充電中でない場合に開始されます。
- ファームウェアのインストール中は、充電状態インジケータが点滅します。ファームウェアのインストールには 10 ~ 15 秒かかります。

## バッテリーの充電

初めて操作する前に、バッテリーを充電してください。新品のバッテリーは 30 % 充電されています。充填ステータスポタンを押すと、バッテリーの充電状態が表示されます。バッテリーの操作および保管は、推奨温度範囲内でのみ行ってください。推奨温度範囲 100 ページを参照してください。

1. バッテリーをバッテリー充電器に取り付けます。バッテリーがバッテリー充電器に正しく接続されると、バッテリー充電器の充電インジケータが点灯します。

2. バッテリーのすべての充電インジケータが点灯している場合、バッテリーは完全に充電されています。
3. バッテリー充電器からバッテリーを外します。

## バッテリーの充電ステータス

Husqvarna リチウムイオンバッテリーは、充電レベルに関係なく充電や使用が可能です。

充電状態インジケータ	バッテリーステータス(充電状態)
インジケータが 4 つ点灯	バッテリーは 76 % ~ 100 % 充電済み。
インジケータが 3 つ点灯	バッテリーは 51 % ~ 75 % 充電済み。
インジケータが 2 つ点灯	バッテリーは 26 % ~ 50 % 充電済み。
インジケータが 1 つ点灯	バッテリーは 11 % ~ 25 % 充電済み。
インジケータが 1 つ点滅	バッテリーは 0 % ~ 10 % 充電済み。

# トラブルシューティング

## トラブルシューティング

症状	原因	対応措置
充電状態インジケータが 1 つ点滅。一部のファームウェアバージョン製品では、バッテリーエラーインジケータも点滅します。	バッテリーが空です。	バッテリーを充電してください。
バッテリーエラーインジケータが点滅する。	作業負荷が高く、さらにバッテリー温度が非常に低くなっています。	バッテリーを温めます。たとえば、屋内に移動するか、バッテリーが温まるまで低速で作業します。
	バッテリーが動作していません。バッテリーの動作範囲が限界に達しています。	本製品からバッテリーを取り外します。5 分間待ちます。充電状態ボタンを押します。
バッテリー温度インジケータが点灯している。	バッテリーの温度が低すぎるかまたは高すぎるため、使用できません。	バッテリーは周囲温度 -10 ~ 40 °C (14 ~ 104 °F) の場所に保管してください。バッテリーの温度が適切になると、使用できるようになります。
バッテリー温度インジケータが点滅する。	バッテリーが温度上限に近づいています。	速度や作業負荷を低減します。最適な性能を得るために、バッテリーは +10 °C (50 °F) ~ +30 °C (86 °F) の間の推奨温度に保ってください。

症状	原因	対応措置
バッテリーが充電器に入っているときに、バッテリー温度インジケータが点灯する。	動作温度外です。バッテリーの温度が低すぎるかまたは高すぎるため、充電できません。	バッテリーの温度が下がるまで待つか、屋内に入れて温度を上げます。バッテリーの温度が適切になると、充電できるようになります。充電器は、必ず、周囲の温度が5～40℃(41～104°F)の場所で使用してください。充電器は日光の当たらない場所に保管してください。問題が解決しない場合は、販売店にお問い合わせください。
バッテリーエラーインジケータが点灯する。	バッテリーに重大なエラーが発生しています。	Husqvarna サービス販売店にお問い合わせください。

## 搬送、保管、廃棄

### 搬送と保管

- 同梱のリチウムイオンバッテリーは、危険物の規制に関する規則に準拠しています。
- 商用輸送の際は、パッケージやラベルの特別要件および、委託先や運送業者の要件に従ってください。
- 本製品を発送する前に、危険物に関して特別な訓練を受けた担当者にご相談ください。該当するすべての国内規制に従ってください。
- バッテリーを梱包するときは、端子にテープを貼ってください。損傷や事故を防ぐため、バッテリーを梱包内にしっかり固定してください。
- 静電気が発生する可能性のある場所に本製品を保管しないでください。バッテリーは金属製の箱に保管しないでください。
- バッテリーは、乾燥した、霜の降りない清潔な場所に、適切な温度で保管してください。
- バッテリーの操作および保管は、推奨温度範囲内でのみ行ってください。推奨温度範囲 100 ページを参照してください。
- バッテリーを長期間保管するときは、充電量を 30～50 % にしてください。

- 保管する前にバッテリーを清掃してください。

### 廃棄

このマークは、本製品が家庭ゴミではないことを示しています。電気および電子機器向けの地域の回収システムでリサイクルしてください。これにより、廃棄物の適切な管理が可能になります。詳細については、各地域の自治体、国内の廃棄物処理サービス、販売店または小売店にお問い合わせください。有害物質が含まれている可能性があるため、不適切に廃棄すると、環境や人の健康に悪影響を及ぼす可能性があります。



**注記：** マークは、製品または製品の容器に表示されています。

## 主要諸元

### 登録商標

Bluetooth® マークとロゴは、Bluetooth SIG, inc. が所有する登録商標です。当該マークの使用について、Husqvarna は、ライセンスの許諾を受けています。

### 主要諸元

周波数帯、MHz	2400～2483.5
最大送信出力、dBm	4

主要諸元については、バッテリーのシリアルプレートを参照してください。

### 推奨温度範囲



**注意：** バッテリー温度が 0℃(32°F)未満の場合、負荷が高いと一時的なバッテリーエラーが発生する可能性があります。



**注意：** バッテリーの操作および保管は、推奨温度範囲内でのみ行ってください。温度が推奨温度範囲外の場合、バッテリーは正常に動作しません。



**注意：** 温度が推奨温度範囲外の場合、バッテリーは充電されません。

使用温度	充電温度	保管温度
-10 ~ 40 °C/14 ~ 104 °F	5 ~ 40 °C/41 ~ 104 °F	5 ~ 25 °C/41 ~ 77 °F

## 認可されたバッテリー充電器

表

バッテリー充電器	QC330	QC500	40-C500X	40-C750X	40-C1000X4
出力電圧、V	36	36	36	36	36
入力電圧、V	100 ~ 240	100 ~ 240	100 ~ 240	100 ~ 240	100 ~ 240
周波数、Hz	50 ~ 60	50 ~ 60	50 ~ 60	50 ~ 60	50 ~ 60
電力、W	330	500	500	750	1000 <sup>66</sup>

表

バッテリー充電器	40-C500X	40-C750X
出力電圧、V	36	36
入力電圧、V	100 ~ 240	100 ~ 240
周波数、Hz	50 ~ 60	50 ~ 60
電力、W	500	750

## 適合宣言

### 適合宣言

当社、Husqvarna AB ( SE-561 82 Huskvarna, Sweden、電話 : +46-36-146500 ) は、単独責任のもとで、以下の製品の適合を宣言します。

説明	リチウムイオン充電式バッテリー
ブランド	Husqvarna®
タイプ / モデル	40-B140X, 40-B220X, 40-B330X, 40-B360X, 40-B540X
ID	2026 年以降の製造番号

は、以下の EU 指令および規制 ( 改正版 ) に準拠しています。

指令 / 規制	説明
2014/30/EU	「電磁環境適合性に関する」
2014/53/EU <sup>67</sup>	「無線機器に関する」
( EU ) 2023/1542	「バッテリーおよび廃棄バッテリーに関する」

および以下の規格または技術仕様が適用されています。

EN IEC 62133-2:2017+A1:2021

EN IEC 62133-2:2017<sup>68</sup>

IEC 63370:2022

EN 61000-6-1:2007/EN IEC 61000-6-1:2019、EN 61000-6-3:2007+A1:2011+AC:2012、EN IEC 61000-6-3:2021<sup>69</sup>

ETSI EN 301 489-1 v.1.9.2、ETSI EN 301 489-17 v.3.2.4、ETSI 300 328 v.2.2.2<sup>70</sup>

EN IEC 63000:2018

危険物輸送に関するその他の試験：

UN 38.3 第 7 版

ハスクバーナ、2026-04-10



Lars Roos

研究開発責任者、バッテリーコンピテンスセンター

Husqvarna AB、スウェーデン

正式代表兼技術文書担当



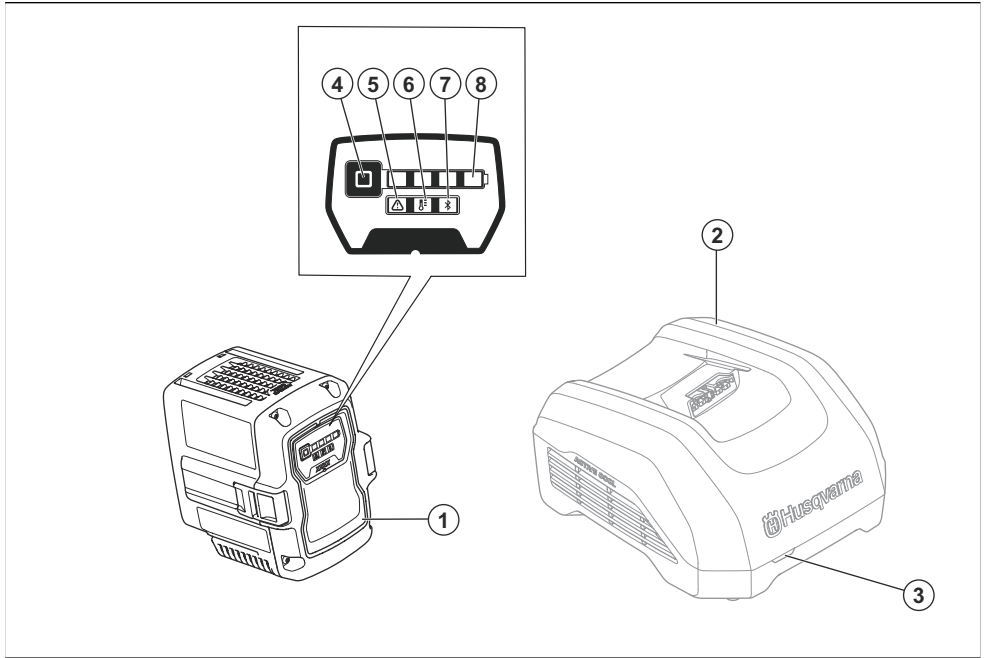
<sup>67</sup> Bluetooth® 通信対応機種に適用。

<sup>68</sup> 40-B220X のみに適用。

<sup>69</sup> EMC テストは、バッテリーを使用するさまざまな製品に対して実施されます。

<sup>70</sup> Bluetooth® 通信対応機種に適用。

## 제품 개요



1. 배터리
2. 배터리 충전기(부속품)
3. 충전 및 오류 표시등
4. 충전 상태 버튼
5. 오류 표시등
6. 배터리 온도 표시등
7. Bluetooth® 표시기(해당되는 경우)
8. 충전 상태 표시등

## 제품의 기호



제품을 조심해서 올바르게 사용하십시오. 이 제품은 작업자 또는 다른 사람에게 심각한 부상이나 사망을 초래할 수 있습니다.



배터리, 승인된 충전기, 배터리를 사용하는 무선 제품에 대한 사용자 설명서를 주의 깊게 읽으십시오. 설명서는

[www.husqvarna.com/support](http://www.husqvarna.com/support)에서 확인할 수 있습니다. 모델 이름을 검색합니다. 제품을 사용하기 전에 모든 지침을 이해해야 합니다.



위험 전압.



비가 내릴 때에도 사용 가능합니다.



튀는 물로부터 보호됩니다.



이 제품은 적용 가능한 EC 지침 조항 및 규정을 준수합니다.



제품은 해당하는 전기 및 전자 장비 폐기장에서 재활용하십시오.



제품 또는 제품의 패키지는 가정용 폐기물이 아닙니다.



배터리를 물속에 넣지 마십시오.



제품에 Bluetooth® 무선 기술 기능이 있는 경우, 제품 이름 라벨에 Bluetooth® 기호가 표시됩니다. Bluetooth® 무선 기술 페이지의 105 항목을 참조하십시오.

**주:** 제품에 대한 여타 기호/그림은 일부 상업 지역의 인종 요구사항을 나타냅니다.

## 제품 설명

Husqvarna 40-B140X, 40-B220X, 40-B330X, 40-B360X, 40-B540X은(는) Husqvarna 배터리로 작동하는 공구를 위한 휴대용, 충전식 리튬 이온 36V 배터리입니다.

Husqvarna는 지속적인 제품 개발 과정의 일환으로 사전 통고 없이 제품의 설계 및/또는 외관을 변경할 권리를 보유하고 있습니다.

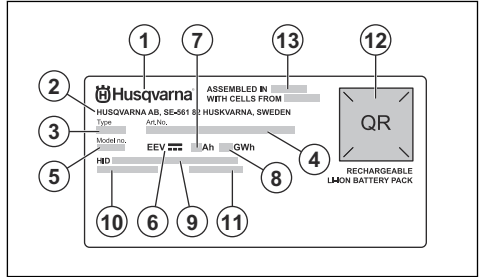
## 고유 용도

이 배터리는 Husqvarna 배터리로 작동하는 공구용입니다. 전통 공구 설명서를 읽고 해당 전통 공구에 사용이 가능한 배터리인지 확인하십시오.

**주:** 국가 또는 해당 지역 규정에 따라 사용이 규제될 수 있습니다. 해당 규정을 준수하십시오. 이 배터리는 인가

된 배터리 충전기와 함께 사용하기 위한 것입니다. *인가된 배터리 충전기 페이지의 108 항목을 참조하십시오.*

## 형식판



1. 브랜드
2. 제조사 주소
3. 유형
4. 품목 번호
5. 모델 번호
6. 전압
7. 암페어-시간
8. 와트-시간
9. Husqvarna Identity(HID)
10. 배터리 셀 유형
11. 제조 일자가 포함된 일련번호
12. 스캔 가능 코드
13. 조립 국가

## 안전성

### 안전 정의

설명서에서 특히 중요한 부분을 가리킬 때 경고, 주의, 함고가 사용됩니다.



**경고:** 설명서의 지시 사항을 준수하지 않을 경우 작업자나 옆에 있던 사람이 부상을 입거나 사망할 위험이 있을 때 사용됩니다.



**주의:** 설명서의 지시 사항을 준수하지 않을 경우 제품, 다른 재료 또는 인접한 지역에서 피해가 발생할 위험이 있을 때 사용됩니다.

**주:** 주어진 상황에 대한 정보를 추가로 제공할 때 사용됩니다.

### 중요 안전 지침



**경고:** 안전 경고 및 지침을 모두 읽어 보십시오. 경고 및 지시 사항을 준수하지 않을 경우 전기 감전, 화재 등으로 인해 중상을 입을 수 있습니다.

**주:** 모든 경고와 지침을 보관하십시오.

- Husqvarna 인증 배터리 충전기만 사용하여 Husqvarna 정품 배터리를 충전하십시오. 배터리는 소프트웨어 암호화되어 있습니다.
- 관련된 Husqvarna 제품의 전원 공급 장치로만 충전할 수 있는 Husqvarna 인증 배터리를 사용하십시오. 부상을 방지하기 위해 배터리를 다른 장치의 전원 공급 장치로 사용하지 마십시오.
- 배터리 충전기를 분해하거나 수리하려고 하지 마십시오. 모든 수리는 승인된 대리점에서만 수행해야 합니다.

- 배터리를 직사광선, 열 또는 화염으로부터 멀리하십시오. 배터리가 화상 및/또는 화학 화상을 초래할 수 있습니다.
- 손상된 배터리 또는 배터리 충전기를 사용하지 마십시오.
- 배터리에 기계적 충격을 가하지 마십시오.
- 배터리를 어린이의 손이 닿지 않는 곳에 보관하십시오.
- 배터리의 청결과 건조 상태를 유지하십시오.

- 배터리가 더러워진 경우, 깨끗하고 마른 헝겊으로 배터리 단자를 닦으십시오.
- 배터리 충전이 완료되면 충전기에서 배터리를 분리하십시오.
- 제품을 사용하지 않을 때나 운반 중에는 배터리를 제품에서 분리하십시오.
- 배터리는 못, 나사 또는 보석과 같은 금속 물체가 닿지 않도록 보관하십시오.

## 작동(Operation)

### 작동(Operation)

- 권장 온도 범위에서만 배터리를 작동하고 보관하십시오. *권장 온도 범위 페이지의 107* 항목을 참조하십시오.
- 사용 전 배터리를 시작하려면 충전 상태 버튼을 누르십시오.
- 처음 사용하기 전에는 배터리를 반드시 충전해야 합니다. 항상 Husqvarna 인증 배터리 충전기를 사용하십시오. *인가된 배터리 충전기 페이지의 108* 항목을 참조하십시오.
- 배터리 온도 표시등이 깜박일 때 워크로드 및/또는 속도를 줄이십시오.
- 배터리 충전 상태 정보를 확인하려면 충전 상태 버튼을 누릅니다.

### Husqvarna Connect

Husqvarna Connect는 모바일 장치용 무료 앱입니다. Husqvarna Connect 앱은 Husqvarna 제품에 확장된 기능을 제공합니다.

- 확장된 제품 정보.
- 제품 부품 및 서비스에 대한 정보 및 도움말.

Husqvarna Connect에 대한 추가 정보는 [www.husqvarna.com](http://www.husqvarna.com)을 참조하십시오.

**주:** 일부 시장에서는 Husqvarna Connect 앱을 다운로드에 사용할 수 없습니다. 자세한 내용은 서비스 대리점에 문의하십시오.

### Husqvarna Connect 사용 시작 방법

1. 모바일 장치에 Husqvarna Connect 앱을 다운로드합니다.
2. Husqvarna Connect 앱에 등록합니다.
3. Husqvarna Connect 앱의 지침 단계에 따라 제품을 추가합니다.

**주:** 일부 시장에서는 Husqvarna Connect 앱을 다운로드에 사용할 수 없습니다. 자세한 내용은 서비스 대리점에 문의하십시오.

### Husqvarna Fleet Services™

Husqvarna Fleet Services™는 클라우드 솔루션으로서 상용 장비 관리자에게 모든 제품에 대한 개요를 제공합니다. Husqvarna Fleet Services™는 웹 서비스 및 앱으로

사용 가능합니다. Husqvarna Fleet Services™에 대한 추가 정보는 [www.husqvarna.com](http://www.husqvarna.com)을 참조하십시오.

**주:** Husqvarna Fleet Services™ 클라우드 솔루션은 일부 시장에서는 제공되지 않습니다.

### Husqvarna Fleet Services™로 제품에 연결하는 방법

1. 모바일 장치에 Husqvarna Fleet Services™ 앱을 다운로드합니다.
2. Husqvarna Fleet Services™ 앱에 로그인합니다.
3. 제품을 Husqvarna Fleet Services™와 페어링하는 방법에 대한 지침을 따릅니다.

### Bluetooth® 무선 기술

Bluetooth® 무선 기술이 내장된 제품은 모바일 장치에 연결할 수 있습니다.

모바일 장치가 제품에 연결되면 Bluetooth® 무선 기술의 기호가 나타납니다.



**주:** 이 장치는 해당 무선 주파수(RF) 노출 요구 사항을 준수하는 것으로 나타났습니다. 이 장치는 제한 없이 휴대용 노출 조건에서 사용할 수 있습니다.

### 무선 펌웨어 업데이트(Bluetooth® 내장 배터리의 경우)

Bluetooth® 내장 배터리는 새 펌웨어를 자동으로 다운로드하고 설치할 수 있습니다.

- 새 펌웨어를 사용할 수 있고 배터리가 Husqvarna Connect 또는 Husqvarna Fleet Services™에 연결되면 다운로드가 시작됩니다.
- 배터리 디스플레이가 작동 중인 상태에서 배터리가 연결되면 Bluetooth® 표시가 나타납니다.
- 펌웨어 다운로드에는 10~15분이 소요됩니다. 다운로드가 중지되거나 실패하면 배터리가 펌웨어 다운로드를 다시 시도합니다.
- 다운로드가 완료되고 배터리가 사용 중 또는 충전 중이 아니면 펌웨어 설치가 시작됩니다.

- 펌웨어 설치 중 충전 상태 표시등이 점멸합니다. 펌웨어 설치에는 10~15초가 소요됩니다.

## 배터리 충전 방법

처음 운영하기 전에 배터리를 충전하십시오. 새 배터리가 30% 충전되었습니다. 배터리 충전 상태 정보를 확인하려면 충전 상태 버튼을 누릅니다. 권장 온도 범위에서만 배터리를 작동하고 보관하십시오. *권장 온도 범위 페이지의 107항목을 참조하십시오.*

1. 배터리를 배터리 충전기에 삽입합니다. 배터리 충전기의 충전 표시등이 켜지면 배터리가 충전기에 올바르게 연결된 것입니다.
2. 모든 배터리 충전 상태 표시등이 켜지면 배터리가 완전히 충전된 상태입니다.
3. 배터리를 배터리 충전기에서 분리합니다.

## 배터리 충전 상태

Husqvarna 리튬 이온 배터리는 모든 충전 레벨에서 충전 또는 사용할 수 있습니다.

충전 상태 표시등	배터리 상태(충전 상태)
표시등 4개가 켜짐	배터리가 76%~100% 충전되었습니다.
표시등 3개가 켜짐	배터리가 51%~75% 충전되었습니다.
표시등 2개가 켜짐	배터리가 26%~50% 충전되었습니다.
표시등 1개가 켜짐	배터리가 11%~25% 충전되었습니다.
표시등 1개가 깜박임	배터리가 0%~10% 충전되었습니다.

# 고장 수리

## 고장 수리

증상	원인	조치
충전 상태 표시등 1개가 깜박입니다. 일부 펌웨어 버전이 있는 제품의 경우 배터리 오류 표시등도 깜박입니다.	배터리 잔량이 없습니다.	배터리를 충전하십시오.
배터리 오류 표시등이 깜박입니다.	배터리 온도가 매우 낮을 때 워크로드가 높아집니다.	배터리를 따뜻하게 하십시오. 예를 들어, 배터리를 실내로 옮기거나 배터리가 따뜻해질 때까지 낮은 속도로 작동 시킵니다.
	배터리가 작동하지 않습니다. 배터리 작동 범위가 한계에 도달했습니다.	배터리를 제품에서 분리합니다. 5분 동안 기다립니다. 충전 상태 버튼을 누릅니다.
배터리 온도 표시등이 켜졌습니다.	배터리가 너무 차갑거나 너무 뜨거워서 사용할 수 없습니다.	배터리를 주변 온도가 -10°C~40°C(14°F~104°F)인 환경에 보관하십시오. 배터리의 온도가 올라르면 다시 사용할 수 있습니다.
배터리 온도 표시등이 깜박입니다.	배터리가 온도 한계에 거의 도달했습니다.	속도 및/또는 워크로드를 줄이십시오. 최적의 성능을 위해 배터리를 주변 온도가 +10°C~+30°C(50°F~86°F)인 환경에 보관하십시오.
배터리가 충전기에 있는 동안 배터리 온도 표시등이 켜집니다.	온도 편차, 배터리가 너무 차갑거나 너무 뜨거워서 충전할 수 없습니다.	배터리가 식히거나 배터리를 실내로 옮겨 따뜻하게 만드십시오. 배터리의 온도가 올라르면 다시 충전할 수 있습니다. 충전기를 주변 온도 5°C~40°C(41°F~104°F)에서만 사용하십시오. 충전기를 햇빛이 비치지 않는 곳에 보관하십시오. 문제가 계속되면 대리점에 문의하십시오.

증상	원인	조치
배터리 오류 표시등이 켜집니다.	배터리에 심각한 오류가 있습니다.	Husqvarna 서비스 대리점에 문의하십시오.

## 운반, 보관 및 폐기

### 이동 및 보관

- 제공된 리튬 이온 배터리는 위험 물질 규제를 준수합니다.
- 제삼자나 운송 중개인에 의해 이루어지는 상용 운송에 대해서는 포장 및 라벨에 대한 특수 요구 사항을 준수하십시오.
- 제품을 보내기 전에 위험한 물건에 대한 특별한 교육을 받은 사람에게 문의하십시오. 모든 해당 국가 규정을 준수하십시오.
- 배터리를 패키지에 넣을 때 개방된 접점에 테이프로 사용하십시오. 배터리가 움직이지 않도록 패키지에 뽁뽁하게 넣으십시오.
- 정전기가 발생할 수 있는 장소에 배터리를 보관하지 마십시오. 배터리를 급속 상자에 보관하지 마십시오.
- 건조하고 성애가 없고 깨끗하고 올바른 온도의 공간에 제품을 놓습니다.
- 권장 온도 범위에서만 배터리를 작동하고 보관하십시오. **권장 온도 범위 페이지의 107** 항목을 참조하십시오.

- 장기간 보관하기 전에 배터리를 30%~50% 충전하십시오.
- 보관하기 전에 배터리를 청소하십시오.

### 폐기

기호는 제품이 가정용 폐기물이 아님을 의미합니다. 전기 및 전자 장비의 경우 현지 수거 시스템을 통해 재활용하십시오. 이는 올바른 수명 종료 폐기물 관리에 기여합니다. 자세한 내용은 현지 당국, 국내 폐기물 서비스, 대리점 또는 판매점에 문의하십시오. 유해 물질 존재 가능성으로 인해 잘못된 폐기는 환경 및 인간의 건강에 잠재적으로 부정적인 영향을 미칠 수 있습니다.



**주:** 기호는 제품 또는 제품 패키지에 표시됩니다.

## 기술 정보

### 등록 상표

Bluetooth® 단어 마크 및 로고는 Bluetooth SIG, inc.가 보유한 등록 상표이며 Husqvarna의 이러한 마크 사용 인증을 받았습니다.

### 기술 정보

주파수 대역, MHz	2400-2483.5
최대 송신 전력, dBm	4

다른 기술 데이터는 배터리의 명판을 참조하십시오.

### 권장 온도 범위



**주의:** 배터리 온도가 0°C(32°F) 미만일 때 일시적인 배터리 문제가 발생할 수 있으며 이는 워크로드가 높은 것을 의미합니다.



**주의:** 권장 온도 범위에서만 배터리를 작동하고 보관하십시오. 온도가 이 범위를 벗어나면 배터리가 올바르게 작동하지 않습니다.



**주의:** 온도가 권장 온도 범위를 벗어나면 배터리가 충전되지 않습니다.

사용 온도	충전 온도	보관 온도
-10~40°C/ 14~104°F	5~40°C/ 41~104°F	5~25°C/41~77°F

## 인가된 배터리 충전기

Table 29: 40-B140X, 40-B220X, 40-B330X용 인가된 배터리 충전기

배터리 충전기	QC330	QC500	40-C500X	40-C750X	40-C1000X4
출력 전압, V	36	36	36	36	36
입력 전압, V	100~240	100~240	100~240	100~240	100~240
주파수, Hz	50~60	50~60	50~60	50~60	50~60
전력, W	330	500	500	750	1000 <sup>71</sup>

Table 30: 40-B360X, 40-B540X용 인가된 배터리 충전기

배터리 충전기	40-C500X	40-C750X
출력 전압, V	36	36
입력 전압, V	100~240	100~240
주파수, Hz	50~60	50~60
전력, W	500	750

## 준수 선언문

### 준수 선언문

당사(Husqvarna AB, SE-561 82 Huskvarna, SWEDEN, 전화: +46-36-146500)는 당사의 전적인 책임하에 제품의 다음과 같은 내용을 선언합니다.

설명	충전식 리튬 이온 배터리
브랜드	Husqvarna®
유형/모델	40-B140X, 40-B220X, 40-B330X, 40-B360X, 40-B540X
식별	2026년도 일련번호부터 그 이후

71

배터리 한 개만 충전할 때 최대 전력은 600W입니다.

다음과 같이 개정된 EU 지침 및 규정을 준수합니다.

지침/규정	설명
2014/30/EU	"자기 호환성 관련"
2014/53/EU <sup>72</sup>	"무선 장비 관련"
(EU) 2023/1542	"배터리 및 폐배터리 관련"

다음과 같은 표준 및/또는 기술 사양이 적용되었음을 선언합니다.

EN IEC 62133-2:2017+A1:2021

EN IEC 62133-2:2017<sup>73</sup>

IEC 63370:2022

EN 61000-6-1:2007/EN IEC 61000-6-1:2019, EN 61000-6-3:2007+A1:2011+AC:2012, EN IEC 61000-6-3:2021<sup>74</sup>

ETSI EN 301 489-1 v.1.9.2, ETSI EN 301 489-17 v.3.2.4, ETSI 300 328 v.2.2.2<sup>75</sup>

EN IEC 63000:2018

위험물의 운송과 관련된 기타 테스트,

UN 38.3 에디션 7

Husqvarna, 2026-04-10



Lars Roos

R&D 부문 이사, 배터리 역량 센터

Husqvarna AB, SWEDEN

기술 문서 책임자



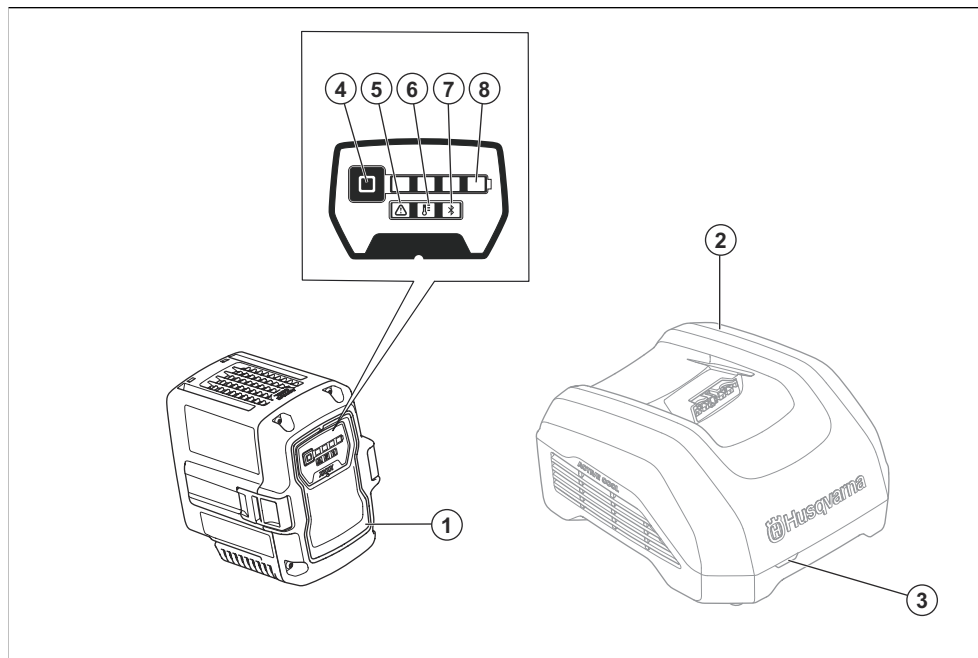
<sup>72</sup> Bluetooth® 통신을 포함하는 버전에 적용됩니다.

<sup>73</sup> 40-B220X에만 적용됩니다.

<sup>74</sup> 또한 EMC 테스트는 배터리를 사용하는 다양한 제품에 대해 수행됩니다.

<sup>75</sup> Bluetooth® 통신을 포함하는 버전에 적용됩니다.

## Gaminio apžvalga



1. Akumuliatorius
2. Akumuliatoriaus įkroviklis (priedas)
3. Įkrovimo ir klaidų indikatorius
4. Įkrovos būsenos mygtukas
5. Klaidų indikatorius
6. Akumuliatoriaus temperatūros indikatorius
7. Bluetooth® indikatorius (jei taikoma)
8. Įkrovos būsenos indikatorius

### Simboliai ant gaminio



Būkite atsargūs ir tinkamai naudokite gaminį. Šis gaminys gali rimtai sužeisti arba pražudyti operatorių arba aplinkinius.



Atidžiai perskaitykite akumuliatoriaus, patvirtinto įkroviklio ir belaidžio gaminio, kuriame naudojamas šis akumuliatorius, naudojimo instrukciją. Vadovus rasite apsilankę adresu [www.husqvarna.com/support](http://www.husqvarna.com/support). Ieškokite modelio pavadinimo. Prieš naudodami gaminį, įsitinkinkite, kad supratote visas instrukcijas.



Pavojinga įtampa.



Galima naudoti per lietu.



Apsaugotas nuo vandens pūslų.



Šis gaminys atitinka taikomas EB direktyvas ir reglamentus.



Nuvežkite gaminį perdirbti į atitinkamą elektros ir elektronikos įrenginių utilizavimo vietą.



Gaminys ar gaminio pakuotė nepriskiriami būtinėms atliekoms.



Neplanardinkite akumuliatoriaus į vandenį.



Jei gaminyje naudojama „Bluetooth®“ belaidė technologija. Gaminio etiketėje bus nurodytas simbolis Bluetooth®. Žr. „Bluetooth®“ belaidė technologija psl. 112.

**Pasižymėkite:** Kiti ant gaminio pateikti simboliai (lipdukai), skirti kitų komercinių teritorijų sertifikavimo reikalavimams.

## Gaminio aprašas

„Husqvarna40-B140X, 40-B220X, 40-B330X, 40-B360X, 40-B540X“ yra nešiojamasis, įkraunamasis ličio jonų 36 V akumuliatorius, skirtas „Husqvarna“ akumuliatoriniams įrankiams.

„Husqvarna“ siekia nuolat tobulinti savo gaminius, todėl pasilieka teisę keisti gaminių formą ir (arba) išvaizdą be išankstinio pranešimo.

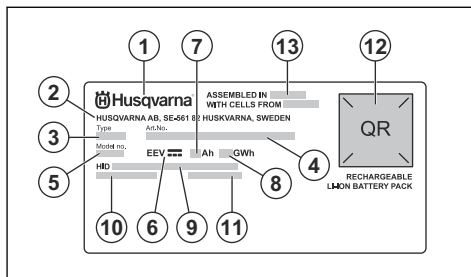
## Numatytasis naudojimas

Šie akumuliatoriai skirti „Husqvarna“ akumuliatoriniams įrankiams. Perskaitykite elektrinio įrankio naudojimo instrukciją ir įsitikinkite, kad akumuliatorius yra tinkamas naudoti su elektros įrankiu.

**Pasižymėkite:** Naudojimas gali būti reglamentuojamas nacionalinėmis arba vietos

taisyklėmis. Laikykitės taikomų reikalavimų. Šie akumuliatoriai skirti naudoti su patvirtintais akumuliatorių įkrovikliais. Žr. *Patvirtinti akumuliatorių įkrovikliai psl. 115.*

## Gaminio vardinė plokštelė



1. Gamintojas
2. Gamintojo adresas
3. Tipas
4. Gaminio numeris
5. Modelio numeris
6. Įtampa
7. Ampervalandė
8. Vatvalandė
9. „Husqvarna“ identifikatorius (HID)
10. Galvaninio elemento tipas
11. Serijos numeris su pagaminimo data
12. Nuskaitymas kodas
13. Surinkimo šalis

## Saugumas

### Saugos ženklų reikšmės

[spėjimai, perspėjimai ir pastabos yra skirtos atkreipti dėmesį į ypač svarbias vadovo dalis.



**PERSPĖJIMAS:** Naudojamas, kai naudotojui ar šalia esantiems asmenims kyla mirtino arba sunkaus sužeidimo pavojus arba jei nesilaikoma vadove pateiktų nurodymų.



**PASTABA:** Naudojamas, kai kyla pavojus sugadinti gaminį, kitas medžiagas arba padaryti žalą aplinkai, jei nesilaikoma vadove pateiktų nurodymų.

**Pasižymėkite:** Naudojamas papildomai informacijai apie konkrečią situaciją pateikti.

### Svarbūs saugos nurodymai



**PERSPĖJIMAS:** Perskaitykite visus saugos įspėjimus ir instrukcijas. Nesilaikydami įspėjimų ir instrukcijų galite patirti elektros smūgį, sukelti gaisrą ir (arba) rimtai susižeisti.

**Pasižymėkite:** Išsaugokite visus įspėjimus ir instrukcijas.

- Naudokite tik Husqvarna patvirtintus akumuliatorių įkroviklius, kad įkrautumėte Husqvarna originalius

- akumulatorius. Akumulatoriai turi koduotą programinę įrangą.
- Susijusiems Husqvarna gaminiams kaip maitinimo šaltinį naudokite tik Husqvarna patvirtintus įkraunamus akumulatorius. Kad išvengtumėte sužeidimų, nenaudokite akumulatoriaus kaip kitų gaminių maitinimo šaltinio.
- Nebandykite akumulatoriaus išmontuoti ar taisyti. Visus remonto darbus turi atlikti tik patvirtintas prekybos atstovas.
- Saugokite akumuliatorių nuo tiesioginių saulės spindulių, karščio ar atviros ugnies. Akumulatorius gali sukelti terminius ir (arba) cheminius nudegimus.
- Nenaudokite pažeisto akumulatoriaus ar akumulatoriaus įkroviklio.

- Saugokite akumuliatorių nuo mechaninių smūgių.
- Saugokite akumuliatorių nuo vaikų.
- Akumuliatorių laikykite švarioje ir sausoje vietoje.
- Jeigu akumuliatorių gnybtai susitapa, nuvalykite juos švaria ir sausa šluoste.
- Visiškai įkrauto akumulatoriaus nelaikykite įkroviklyje.
- Nenaudodami akumulatoriaus ar jį gabendami, išimkite akumuliatorių iš įrenginio.
- Laikykite akumulatorius atokiau nuo metalinių daiktų, pavyzdžiui, vinių, varžtų, juvelyrinių dirbinių.

## Naudojimas

### Naudojimas

- Akumuliatorių naudokite ir laikykite tik rekomenduojamame temperatūros diapazone. Žr. *Rekomenduojamas temperatūros diapazonas psl. 115.*
- Prieš pradėdami naudoti paspauskite įkrovos būsenos mygtuką ir įjunkite akumuliatorių.
- Akumulatorius turi būti įkrautas prieš pirmąjį naudojimą. Visada naudokite Husqvarna patvirtintą akumuliatorių įkroviklį. Žr. *Patvirtinti akumuliatorių įkrovikliai psl. 115.*
- Kai ima mirksėti akumulatoriaus temperatūros indikatorius, sumažinkite apkrovą ir (arba) greitį.
- Paspauskite įkrovos būsenos mygtuką, kad patikrintumėte akumulatoriaus įkrovos būseną.

### Husqvarna Connect

Husqvarna Connect yra nemokama programėlė, skirta mobiliesiems įrenginiams. Programėlė Husqvarna Connect suteikia Husqvarna gaminiui papildomas funkcijas.

- Papildoma informacija apie gaminį.
- Informacija ir patarimai apie gaminio dalis ir priežiūrą.

Daugiau informacijos apie Husqvarna Connect žr. [www.husqvarna.com](http://www.husqvarna.com).

**Pasižymėkite:** Programėlė Husqvarna Connect nėra prieinama visose programėlių parduotuvėse. Dėl išsamesnės informacijos kreipkitės į įgaliotąjį techninės priežiūros atstovą.

### Norėdami pradėti naudoti Husqvarna Connect

- Atsisiųskite programėlę „Husqvarna Connect“ į mobilųjį įrenginį.
- Užsiregistruokite „Husqvarna Connect“ programėlėje.

- Norėdami pridėti gaminį, vadovaukitės programėlėje Husqvarna Connect pateiktomis instrukcijomis.

**Pasižymėkite:** Programėlė Husqvarna Connect nėra prieinama visose programėlių parduotuvėse. Dėl išsamesnės informacijos kreipkitės į įgaliotąjį techninės priežiūros atstovą.

### Husqvarna Fleet Services™

Husqvarna Fleet Services™ yra debesijos sprendimas, teikiantis komercinio parko valdytojui galimybę peržiūrėti visus gaminius. „Husqvarna Fleet Services™“ pasiekama kaip interneto paslauga ir kaip programėlė. Daugiau informacijos apie Husqvarna Fleet Services™ žr. [www.husqvarna.com](http://www.husqvarna.com).

**Pasižymėkite:** Husqvarna Fleet Services™ debesijos sprendimas pasiekiamas ne visose rinkose.

### Prisijungimas prie gaminio naudojant Husqvarna Fleet Services™

- Įdiekite į savo mobilųjį įrenginį programėlę „Husqvarna Fleet Services™“.
- Prisijunkite prie programėlės Husqvarna Fleet Services™.
- Vykdykite instrukcijas, kuriose paašškinta, kaip susieti gaminį su „Husqvarna Fleet Services™“.

### „Bluetooth®“ belaidė technologija

Gaminius su įdiegta „Bluetooth®“ belaidė technologija galima prijungti prie mobiliojo įrenginio.

„Bluetooth®“ belaidės technologijos simbolis įsižiebia, kai mobilusis įrenginys yra prijungtas prie gaminio.



**Pasižymėkite:** Buvo įvertinta šio prietaiso atitiktis taikomiems radijo dažnių (RD) poveikio reikalavimams. Prietaisą be apribojimų galima naudoti sąlygomis, kuriomis apšvita taikoma naudojant nešiojamąjį įrangą.

## Nuotoliniu būdu įdiegiama programinė aparatinė įranga (angl. „Firmware Over The Air“) (akumuliatoriams su integruotu Bluetooth®)

Bluetooth® naudojantys akumuliatoriai atsisunčia ir įdiegia naują programinę aparatinę įrangą automatiškai.

- Atsisiuntimas pradedamas, kai yra pasiekiami nauja programinė aparatinė įranga, o akumuliatorius yra prijungtas prie Husqvarna Connect arba Husqvarna Fleet Services™.
- Bluetooth® indikatorius rodomas, kai akumuliatorius prijungtas ir akumuliatoriaus ekranas yra aktyvus.
- Programinės aparatinės įrangos atsisiuntimas trunka 10–15 min. Jei atsisiuntimas sustabdomas arba nutraukiamas, akumuliatorius bandys atsisiųsti programinę aparatinę įrangą dar kartą.
- Programinės aparatinės įrangos diegimas pradedamas pasibaigus atsisiuntimui, kai akumuliatorius nenaudojamas arba nekraunamas.
- Diegiant programinę aparatinę įrangą mirksi įkrovos būsenos indikatoriai. Programinės aparatinės įrangos diegimas trunka 10–15 sek.

## Akumuliatoriaus įkrovimas

Prieš naudodami pirmą kartą, akumuliatorių įkraukite. Naujas akumuliatorius įkrautas 30 %. Paspauskite

įkrovos būsenos mygtuką, kad patikrintumėte akumuliatoriaus įkrovos būseną. Akumuliatorių naudokite ir laikykite tik rekomenduojamame temperatūros diapazone. Žr. *Rekomenduojamas temperatūros diapazonas psl. 115.*

- Akumuliatorių įstatykite į įkroviklį. Kai įsižiebia akumuliatoriaus įkroviklio įkrovos indikatorius, akumuliatorius yra tinkamai prijungtas prie įkroviklio.
- Kai akumuliatorius visiškai įkrautas, šviečia visi akumuliatoriaus įkrovos būsenos indikatoriai.
- Iš įkroviklio išimkite akumuliatorių.

## Akumuliatoriaus įkrovimo būseną

„Husqvarna“ ličio jonų akumuliatorius galima įkrauti ir naudoti nepaisant jų įkrovimo lygio.

Įkrovos būsenos indikatoriai	Akumuliatoriaus būseną (įkrovos būseną)
Šviečia 4 indikatoriai	Akumuliatoriaus įkrova 76–100 %.
Šviečia 3 indikatoriai	Akumuliatoriaus įkrova 51–75 %.
Šviečia 2 indikatoriai	Akumuliatoriaus įkrova 26–50 %.
Šviečia 1 indikatorius	Akumuliatoriaus įkrova 11–25 %.
1 indikatorius mirksi	Akumuliatoriaus įkrova 0–10 %.

## Trikčių šalinimas

### Trikčių šalinimas

Požymiai	Priežastis	Veiksmas
Mirksi vienas įkrovos būsenos indikatorius. Kai kuriuose gaminiuose su tam tikromis programinės aparatinės įrangos versijomis taip pat mirksi akumuliatoriaus klaidos indikatorius.	Akumuliatorius išsekęs.	Įkraukite akumuliatorių.
Mirksi akumuliatoriaus klaidos indikatorius.	Didelė apkrova ir labai žema akumuliatoriaus temperatūra.	Sušildykite akumuliatorių. Pavyzdžiui, perkeltkite į patalpą arba dirbkite mažiau greičiu, kol akumuliatorius sušils.
	Akumuliatorius neveikia. Pasiekta akumuliatoriaus veikimo diapazono riba.	Išimkite iš įrenginio akumuliatorių. Palaukite 5 minutes. Paspauskite įkrovos būsenos mygtuką.

Požymiai	Priežastis	Veiksmas
Šviečia akumulatoriaus temperatūros indikatorius.	Akumulatorius yra per šaltas arba per karštas, todėl jo negalima naudoti.	Akumulatoriaus įkroviklį laikykite nuo -10 °C / 14 °F iki 40 °C / 104 °F temperatūroje. Kai akumulatorius yra tinkamos temperatūros, jį galima vėl naudoti.
Mirksi akumulatoriaus temperatūros indikatorius.	Akumulatoriaus beveik pasiekė temperatūros apribojimus.	Sumažinkite greitį ir (arba) apkrovą. Siekiant užtikrinti optimalų veikimą, akumuliatorių laikykite aplinkoje, kurios temperatūra +10–30 °C (50–86 °F).
Akumulatoriaus temperatūros indikatorius šviečia, kai akumulatorius yra įkroviklyje.	Temperatūros svyravimai, akumulatorius yra per šaltas arba per karštas, kad galima būtų jį įkrauti.	Leiskite akumuliatoriui atvėsti arba nuneškite jį į patalpą, kad išiltų. Kai akumulatorius yra tinkamos temperatūros, jį galima vėl įkrauti. Akumuliatorių įkroviklį galima naudoti tik nuo 5 °C (41 °F) iki 40 °C (104 °F) temperatūroje. Laikykite įkroviklį atokiau nuo saulės šviesos. Jei problema kartojasi, kreipkitės į savo prekybos atstovą.
Įsizižiebja akumulatoriaus klaidos indikatorius.	Įvyko kritinė akumulatoriaus klaida.	Kreipkitės į Husqvarna techninės priežiūros atstovą.

## Transportavimas, saugojimas ir utilizavimas

### Pervežimas ir laikymas

- Pateikiamam ličio jonų akumuliatoriui taikomos pavojingų krovinių gabenimo taisyklės.
- Laikykites specialių komercinių krovinių gabenimui, įskaitant trečiųjų šalių ar tarpininko transporto priemonėmis, taikomų reikalavimų dėl pakavimo ir žymėjimo.
- Pasitarkite su pavojingų medžiagų gabenimo specialistu prieš siųsdami įrenginį. Laikykites visų taikomų nacionalinių reikalavimų.
- Pakuodami akumuliatorių uždėkite juostą ant kontaktų. Tvirtai supakuokite akumuliatorių, kad išvengtumėte pažeidimų ir nelaimingų atsitikimų.
- Nelaikykite akumulatoriaus tokioje vietoje, kur gali susidaryti statiniai krūviai. Nelaikykite akumulatoriaus metalinėje dėžutėje.
- Laikykite akumuliatorių sausoje, neužšąlančioje ir švarioje vietoje, kurioje yra tinkama temperatūra.
- Akumuliatorių naudokite ir laikykite tik rekomenduojamame temperatūros diapazone. Žr. *Rekomenduojamas temperatūros diapazonas psl. 115.*
- Prieš saugodami ilgesnį laiką pasirūpinkite, kad akumulatorius būtų įkrautas 30–50 %.

- Prieš saugodami, išvalykite akumuliatorių.

### Šalinimas

Šis simbolis nurodo, kad įrenginys nepriskiriamas buitiniams atliekoms. Atiduokite jį perdirbti pasinaudodami vietine elektros ir elektronikos įrenginių surinkimo sistema. Taip prisidėsite prie tinkamo atliekų tvarkymo. Jei reikia daugiau informacijos, kreipkitės į vietines institucijas, buitinių atliekų tvarkymo tarnybas, prekybos atstovą arba mažmenininką. Netinkamas išmetimas gali daryti neigiamą poveikį aplinkai ir žmogaus sveikatai, nes gaminyje gali būti pavojingų medžiagų.



**Pasižymėkite:** Simbolis, rodomas ant įrenginio arba įrenginio pakuotės.

## Techniniai duomenys

### Registruotieji prekiniai ženklai

*Bluetooth*<sup>®</sup> pavadinimas ir logotipai yra registruotieji prekės ženklai, priklausantys *Bluetooth SIG, inc.*, ir Husqvarna juos naudoja pagal licenciją.

### Techniniai duomenys

Dažnių juostos, MHz	2400–2483,5
Maks. perduodama galia, dBm	4

Techninių duomenų ieškokite akumulatoriaus nominaliųjų parametrų plokštelėje.

### Rekomenduojamas temperatūros diapazonas



**PASTABA:** Didelė apkrova, kai akumulatoriaus temperatūra žemesnė nei

### Patvirtinti akumuliatorių įkrovikliai

Lentelė

Akumulatoriaus įkroviklis	QC330	QC500	40-C500X	40-C750X	40-C1000X4
Išėjimo įtampa, V	36	36	36	36	36
Įvado įtampa, V	100–240	100–240	100–240	100–240	100–240
Dažnis, Hz	50–60	50–60	50–60	50–60	50–60
Galia, W	330	500	500	750	1000 <sup>76</sup>

Lentelė

Akumulatoriaus įkroviklis	40-C500X	40-C750X
Išėjimo įtampa, V	36	36
Įvado įtampa, V	100–240	100–240
Dažnis, Hz	50–60	50–60
Galia, W	500	750

0 °C (32 °F), gali sukelti laikiną akumulatoriaus klaidą.



**PASTABA:** Akumuliatorių naudokite ir laikykite tik rekomenduojamame temperatūros diapazone. Jei temperatūra neatitinka šio diapazono, akumuliatorius veiks netinkamai.



**PASTABA:** Akumuliatorius įkrauti nepavyks, jei jo temperatūra neatitiks rekomenduojamo temperatūros diapazono.

Naudojimo temperatūra	Įkrovimo temperatūra	Laikymo temperatūra
Nuo –10 iki –40 °C / nuo 14 iki 104 °F	Nuo 5 iki 40 °C / nuo 41 iki 104 °F	Nuo 5 iki 25 °C / nuo 41 iki 77 °F

# atitikties deklaracija

## Atitikties deklaracija

Bendrovė „Husqvarna AB“, SE-561 82 Huskvarna,  
ŠVEDIJA, tel. +46- 36-146500, atsakingai patvirtina, kad  
gaminys:

<b>Aprašymas</b>	<b>Įkraunamas ličio jonų akumuliatorius</b>
<b>Gamintojas</b>	„Husqvarna®“
<b>Tipas / modelis</b>	40-B140X, 40-B220X, 40-B330X, 40-B360X, 40-B540X
<b>Identifikacijos numeris</b>	Serijos numeriai nuo šios datos: 2026 ir vėlesni

atitinka šias iš dalies pakeistas ES direktyvas ir  
reglamentus:

<b>Direktyva / reglamentas</b>	<b>Aprašymas</b>
2014/30/ES	„dėl elektromagnetinio suderinamumo“
2014/53/ES <sup>77</sup>	„dėl radijo įrangos“
(ES) 2023/1542	„dėl baterijų ir baterijų atliekų“

ir kad laikomasi šių standartų ir (arba) techninių  
specifikacijų

EN IEC 62133-2:2017+A1:2021

EN IEC 62133-2:2017<sup>78</sup>

IEC 63370:2022

EN 61000-6-1:2007 / EN IEC 61000-6-1:2019,

EN 61000-6-3:2007+A1:2011+AC:2012,

EN IEC 61000-6-3:2021<sup>79</sup>

ETSI EN 301 489-1 v.1.9.2, ETSI EN 301 489-17  
v.3.2.4, ETSI 300 328 v.2.2.2<sup>80</sup>

EN IEC 63000:2018

Kiti bandymai, susiję su pavojingų krovinių vežimu;

UN 38.3 7 leidimas

Huskvarna, 2026-04-10

Lars Roos

Tyrimų ir plėtros skyriaus direktorius, Akumuliatorių  
kompetencijos centras

„Husqvarna AB“, ŠVEDIJA

Atsakingas už techninę dokumentaciją



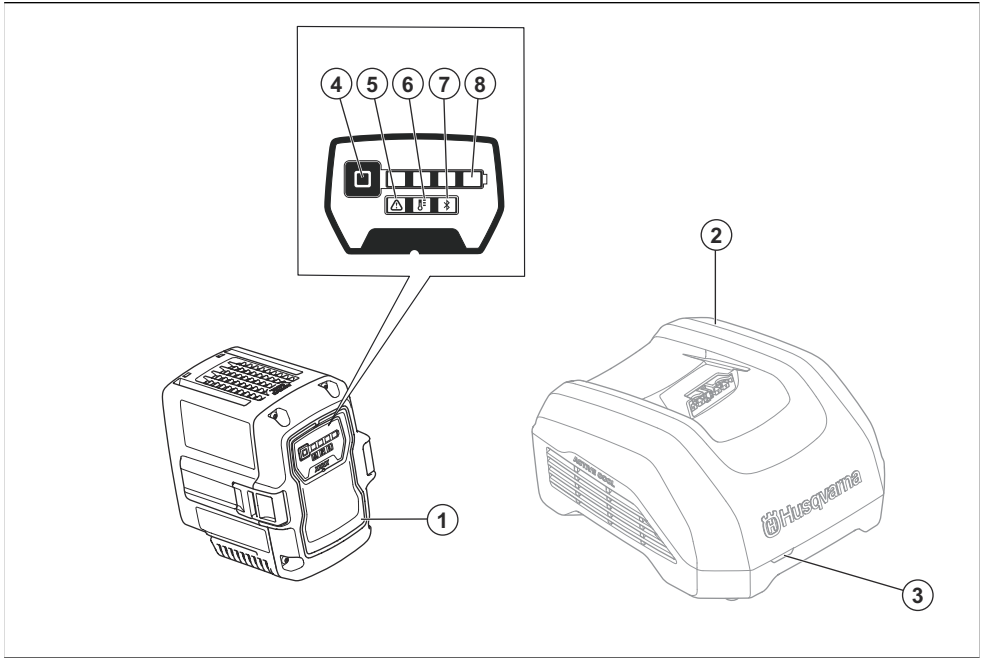
<sup>77</sup> Taikoma versijoms su „Bluetooth®“ ryšio funkcija.

<sup>78</sup> Taikoma tik 40-B220X.

<sup>79</sup> Taip pat naudojant akumuliatorių su įvairiais gaminiais buvo atlikti EMS bandymai.

<sup>80</sup> Taikoma versijoms su „Bluetooth®“ ryšio funkcija.

## Izstrādājuma pārskats



1. Akumulators
2. Akumulatora lādētājs (piederums)
3. Uzlādes un kļūdas indikators
4. Uzlādes stāvokļa poga
5. Kļūdas indikators
6. Akumulatora temperatūras indikators
7. Bluetooth® indikators (ja attiecas)
8. Uzlādes stāvokļa indikators

## Simboli uz izstrādājuma



Esiet uzmanīgi un lietojiet izstrādājumu pareizi. Šis izstrādājums var radīt smagas vai nāvējošas traumas jums un citiem.



Rūpīgi izlasiet akumulatora, apstiprinātā lādētāja un bezvadu izstrādājuma, kurā tiek izmantots šis akumulators, lietotāja rokasgrāmatu. Rokasgrāmatas skatiet vietnē: [www.husqvarna.com/support](http://www.husqvarna.com/support). Meklējiet modeļa nosaukumu. Pirms izstrādājuma lietošanas pārliecinieties, ka izprotiet visus norādījumus.



Bīstams spriegums.



Var izmantot lietū.



Aizsardzība pret ūdens šļakstiem.



Izstrādājums atbilst piemērojamajām EK direktīvām un regulām.



Utilizējiet izstrādājumu piemērotā elektrisko un elektronisko ierīču utilizēšanas uzņēmumā.



Izstrādājums un tā iepakojums nav sadzīves atkritumi.



Neiegremdējiet akumulatoru ūdenī.



Ja izstrādājumā ir *Bluetooth®* bezvadu tehnoloģija. Izstrādājuma nosaukuma uzlīmē būs simbols *Bluetooth®*. Skatiet šeit: *Bluetooth® bezvadu tehnoloģija lpp. 119*.

**Piezīme:** Pārējie uz izstrādājuma norādītie simboli/uzlīmes attiecas uz dažu tirdzniecības nozaru prasībām.

## Izstrādājuma apraksts

Husqvarna 40-B140X, 40-B220X, 40-B330X, 40-B360X, 40-B540X ir pārnēsājams, atkārtoti uzlādējams 36 V litija jonu akumulators Husqvarna, kas paredzēts ar akumulatoru darbināmiem instrumentiem.

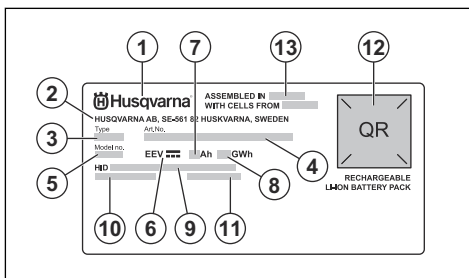
Mēs pastāvīgi pilnveidojam savus izstrādājumus, Husqvarna paturam tiesības veikt izmaiņas, piemēram, izstrādājumu konstrukcijā un/vai to izskatā bez iepriekšēja paziņojuma.

## Paredzētā lietošana

Šie akumulatori ir paredzēti Husqvarna ar akumulatoru darbināmiem instrumentiem. Izlasiet elektroinstrumenta lietotāja rokasgrāmatu, lai pārliecinātos, ka akumulators ir apstiprināts konkrētajam elektroinstrumentam.

**Piezīme:** Uz lietošanu var attiekties konkrētas valsts vai vietējie noteikumi. Ievērojiet spēkā esošos noteikumus. Šie akumulatori ir paredzēti lietošanai ar apstiprinātiem akumulatoru lādētājiem. Skatiet šeit: *Apstiprinātie akumulatoru lādētāji lpp. 122*.

## Datu plāksnīte



1. Zīmols
2. Ražotāja adrese
3. Tips
4. Izstrādājuma numurs
5. Modeļa numurs
6. Spriegums
7. Ampērstundas
8. Vatstundas
9. Husqvarna identitāte (HID)
10. Akumulatora elementa tips
11. Sērijas numurs ar ražošanas datumu
12. Skenējams kods
13. Montāžas valsts

## Drošība

### Drošības definīcijas

Brīdinājumi, norādes "Uzmanību!" un piezīmes tiek izmantotas, lai izceltu īpaši svarīgas lietošanas rokasgrāmatas daļas.



**BRĪDINĀJUMS:** Tiek izmantots tad, ja rokasgrāmatā sniegto norādījumu neievērošanas dēļ operatoram vai blakus esošajām personām draud traumas vai nāve.



**IEVĒROJIET:** Tiek izmantota tad, ja rokasgrāmatā sniegto norādījumu neievērošanas dēļ rodas izstrādājuma, citu materiālu vai blakus esošās teritorijas bojājumu risks.

**Piezīme:** Tiek izmantota, lai sniegtu plašāku informāciju, kas nepieciešama attiecīgajā situācijā.

### Svarīgi drošības norādījumi



**BRĪDINĀJUMS:** Izlasiet visus drošības brīdinājumus un norādījumus. Neievērojot brīdinājumus un norādījumus, var rasties elektrotrauma, aizdegšanās un/vai smagas traumas.

**Piezīme:** Saglabājiet visus brīdinājumus un norādījumus.

- Izmantojiet tikai Husqvarna apstiprinātus akumulatora lādētājus, lai uzlādētu Husqvarna oriģinālos akumulatorus. Akumulatoriem ir šifrēta programmatūra.

- Kā barošanas avotu izmantojiet Husqvarna apstiprinātus, atkārtoti uzlādējamus akumulatorus tikai saistītajiem Husqvarna izstrādājumiem. Lai nepieļautu traumu gūšanas risku, akumulatoru nedrīkst izmantot kā citu ierīču barošanas avotu.
- Akumulatoru nedrīkst izjaukt vai remontēt. Visi remontdarbi jāveic tikai apstiprinātām izplatītājam.
- Neglabājiet akumulatoru vietās, ka ir pakļautas tiešai saules gaismai, karstumam vai atklātām liesmām. Akumulators var radīt apdegumus un/vai ķīmiskos apdegumus.
- Nelietojiet bojātu akumulatoru vai akumulatora lādētāju.
- Nepakļaujiet akumulatoru mehāniskiem triecieniem.
- Sargiet akumulatoru no bērniem.
- Uzturiet akumulatoru tīru un sausu.
- Tīriet akumulatora spaiļas ar tīru un sausu drānu, ja tās kļūst netīras.
- Kad akumulators pilnībā uzlādēts, izņemiet to no akumulatora lādētāja.
- Izņemiet akumulatoru no izstrādājuma, ja to nelietosiet vai arī pārvadāsiet.
- Uzglabājiet akumulatorus vietā, kur nav metāla priekšmetu, piemēram, naglu, skrūvju vai rotaslietu.

## Lietošana

### Lietošana

- Lietojiet un uzglabājiet akumulatoru tikai ieteicamajā temperatūras diapazonā. Skatiet šeit: *Ieteicamais temperatūras diapazons lpp. 122.*
- Nospiediet akumulatora uzlādes stāvokļa pogu, lai ieslēgtu akumulatoru pirms lietošanas.
- Pirms akumulatora pirmās izmantošanas reizes tas jāuzlādē. Vienmēr izmantojiet Husqvarna apstiprinātu akumulatora lādētāju. Skatiet šeit: *Apstiprinātie akumulatoru lādētāji lpp. 122.*
- Ja mirgo akumulatora temperatūras indikators, samaziniet darba slodzi un/vai ātrumu.
- Nospiediet akumulatora uzlādes stāvokļa pogu, lai saņemtu informāciju par akumulatora uzlādes stāvokli.

### Husqvarna Connect

Husqvarna Connect ir bezmaksas lietotne mobilajai ierīcei. Lietotne Husqvarna Connect nodrošina paplašinātas funkcijas jūsu Husqvarna produktam.

- Paplašināta produkta informācija.
- Informācija par produkta daļām un apkopi un palīdzība ar to.

Papildinformāciju par Husqvarna Connect skatiet vietnē [www.husqvarna.com](http://www.husqvarna.com).

**Piezīme:** Lietotne Husqvarna Connect nav pieejama lejupielādei visos reģionos. Lai iegūtu plašāku informāciju, sazinieties ar apkopes pakalpojumu nodrošinātāju.

### Lai sāktu izmantot Husqvarna Connect

1. Lejupielādējiet lietotni Husqvarna Connect savā mobilajā ierīcē.
2. Reģistrējieties Husqvarna Connect lietotnē.
3. Izpildiet Husqvarna Connect lietotnē sniegtos norādījumus, lai pievienotu izstrādājumu.

**Piezīme:** Lietotne Husqvarna Connect nav pieejama lejupielādei visos reģionos. Lai saņemtu plašāku informāciju, sazinieties ar izplatītāju, kas nodrošina apkopi.

### Husqvarna Fleet Services™

Husqvarna Fleet Services™ ir mākoņa risinājums, kas ļauj vadītājam pārskatīt visu pieejamo komercierīču klāstu. Husqvarna Fleet Services™ ir pieejams kā tīmekļa pakalpojums un kā lietotne. Papildinformāciju par Husqvarna Fleet Services™ skatiet vietnē [www.husqvarna.com](http://www.husqvarna.com).

**Piezīme:** Husqvarna Fleet Services™ mākoņa risinājums nav pieejams visos reģionos.

### Savienojuma izveide ar izstrādājumu, izmantojot Husqvarna Fleet Services™

1. Lejupielādējiet lietotni Husqvarna Fleet Services™ savā mobilajā ierīcē.
2. Piesakieties lietotnē Husqvarna Fleet Services™.
3. Izpildiet norādes, lai izveidotu savienojumu starp izstrādājumu un Husqvarna Fleet Services™.

### Bluetooth® bezvadu tehnoloģija

Izstrādājumiem ar iebūvētu Bluetooth® bezvadu tehnoloģiju iespējams izveidot savienojumu ar mobilo ierīci.

Bluetooth® bezvadu tehnoloģijas simbols parādās uzreiz pēc mobilās ierīces pievienošanas izstrādājumam.



**Piezīme:** Šī ierīce ir novērtēta un atbilst piemērojamām radiofrekvenču (RF) iedarbības prasībām. Ierīci var izmantot pārvietojamos iedarbības apstākļos bez ierobežojumiem.

## Atjauniniet aparātprogrammatūru Firmware Over The Air (bezvadu aparātprogrammatūras atjaunināšanas funkcija) (akumulatoriem ar iebūvēto Bluetooth®)

Akumulatori ar Bluetooth® automātiski lejupielādē un uzstāda jaunu aparātprogrammatūru.

- Lejupielāde sākas, kad ir pieejama jauna aparātprogrammatūra un akumulators ir savienots ar Husqvarna Connect vai Husqvarna Fleet Services™.
- Bluetooth® indikators rāda, kad akumulators ir pievienots, kamēr akumulatora displejs ir aktīvs.
- Aparātprogrammatūras lejupielāde ilgst 10-15 minūtes. Ja lejupielāde apstājas vai neizdodas, akumulators mēģina vēlreiz lejupielādēt aparātprogrammatūru.
- Aparātprogrammatūras uzstādīšana sākas, kad lejupielāde ir pabeigta un akumulators netiek lietots vai lādēts.
- Uzlādes stāvokļa indikatori mirgo aparātprogrammatūras uzstādīšanas laikā. Aparātprogrammatūras uzstādīšana ilgst 10-15 sekundes.

### Akumulatora uzlāde

Uzlādējiet akumulatoru pirms tā pirmās lietošanas reizes. Jauns akumulators ir uzlādēts 30% apmērā. Nospiediet akumulatora uzlādes stāvokļa pogu, lai saņemtu informāciju par akumulatora uzlādes stāvokli. Lietojiet un uzglabājiet akumulatoru tikai ieteicamajā

temperatūras diapazonā. Skatiet šeit: *Ieteicamais temperatūras diapazons lpp. 122.*

- Ievietojiet akumulatoru akumulatora lādētājā. Ja iedegas akumulatora lādētāja uzlādes indikators, akumulators ir pareizi pievienots lādētājam.
- Akumulators ir pilnībā uzlādēts, kad deg visi uzlādes stāvokļa indikatori uz akumulatora.
- Izņemiet akumulatoru no akumulatora lādētāja.

### Akumulatora uzlādes stāvoklis

Husqvarna litija jonu akumulatoru drīkst uzlādēt un lietot neatkarīgi no uzlādes līmeņa.

Uzlādes stāvokļa indikatori	Akumulatora stāvoklis (uzlādes stāvoklis)
Deg 4 indikatori	Akumulators ir uzlādēts 76-100 % apmērā.
Deg 3 indikatori	Akumulators ir uzlādēts 51-75 % apmērā.
Deg 2 indikatori	Akumulators ir uzlādēts 26-50 % apmērā.
Deg 1 indikators	Akumulatora ir uzlādēts 11-25 % apmērā.
Mirgo 1 indikators	Akumulators ir uzlādēts 0-10 % apmērā.

---

## Problēmu novēršana

---

### Problēmu novēršana

Pazīmes	Cēlonis	Darbība
Mirgo viens uzlādes stāvokļa indikators. Izstrādājumiem ar dažām aparātprogrammatūras versijām mirgo arī akumulatora kļūdas indikators.	Akumulators ir tukšs.	Uzlādējiet akumulatoru.
Mirgo akumulatora kļūdas indikators.	Liela noslodze apvienojumā ar ļoti zemu akumulatora temperatūru.	Ļaujiet akumulatoram sasilt. Piemēram, ienesiet to iekštelpās vai darbiniet ar ļoti zemu ātrumu, līdz tas sasilst.
	Akumulators nedarbojas. Ir sasniegts akumulatora darbības diapazona ierobežojums.	Izņemiet akumulatoru no izstrādājuma. Uzgaidiet 5 minūtes. Nospiediet uzlādes stāvokļa pogu.
Akumulatora temperatūras indikators ir ieslēgts.	Akumulators ir pārāk auksts vai pārāk karsts, lai to lietotu.	Glabājiet akumulatoru apkārtējā temperatūrā no -10 °C (14 °F) līdz 40 °C (104 °F). Kad akumulators ir sasniedzis pareizu temperatūru, to var atkal lietot.

Pazīmes	Cēlonis	Darbība
Akumulatora temperatūras indikators mirgo.	Akumulatora temperatūra ir tuvu pieļaujamajai robežai.	Samaziniet ātrumu un/vai slodzi. Optimālai darbībai akumulatoru ieteicams glabāt temperatūrā no +10 °C (50 °F) līdz +30 °C (86 °F).
Kad akumulators ir lādētājā, akumulatora temperatūras indikators ir ieslēgts.	Temperatūras neatbilstība, akumulators ir pārāk auksts vai pārāk karsts, lai to uzlādētu.	Ļaujiet, lai akumulators atdziest, vai ienesiet to telpā, lai sasildītu. Kad akumulators ir sasniedzis pareizu temperatūru, to var atkal uzlādēt. Lādētāju izmantojiet tikai vietās, kur apkārtējā temperatūra ir no 5 °C (41 °F) līdz 40 °C (104 °F). Sargiet lādētāju no saules gaismas. Ja problēma joprojām pastāv, sazinieties ar izplatītāju.
Iedegas akumulatora kļūdas indikators.	Akumulatoram radusies kritiska kļūda.	Sazinieties ar Husqvarna izplatītāju, kas nodrošina apkopi.

## Pārvadāšana, glabāšana un utilizēšana

### Transportēšana un uzglabāšana

- Komplektācijā iekļautie litija jonu akumulatori atbilst bīstamo preču normatīvu prasībām.
- Ievērojiet īpašās prasības attiecībā uz iepakojumu un marķējumu komerciālai pārvadāšanai, tostarp prasības, ko nosaka trešās puses un pārvadātāji.
- Pirms pārvadāt izstrādājumu, sazinieties ar bīstamo materiālu pārvadāšanas speciālistu. Ievērojiet visus spēkā esošos konkrētās valsts likumus.
- Kad ievietojat akumulatoru iepakojumā, kontaktus aizlīmējiet ar līmlenti. Stingri ievietojiet akumulatoru iepakojumā, lai izvairītos no bojājumiem un negadījumiem.
- Neglabājiet akumulatoru vietās, kur var rasties statiskā elektrība. Neglabājiet akumulatoru metāla kārbā.
- Novietojiet akumulatoru sausā, siltā un tīrā vietā, piemērotā temperatūrā.
- Lietojiet un uzglabājiet akumulatoru tikai ieteicamajā temperatūras diapazonā. Skatiet šeit: *Ieteicamais temperatūras diapazons lpp. 122.*
- Pirms akumulatoru novietojiet ilgstošai uzglabāšanai, uzlādējiet to par 30-50 %.

- Pirms novietot akumulatoru glabāšanai, notīriet to.

### Utilizācija

Simbols norāda, ka izstrādājums nav sadzīves atkritumi. Utilizējiet to, izmantojot elektrisko un elektronisko ierīču savākšanas sistēmu jūsu valstī. Tas veicinās pienācīgu atkritumu apsaimniekošanu ierīču aprites cikla beigās. Lai iegūtu informāciju, sazinieties ar vietējām valsts iestādēm, sadzīves atkritumu pārstrādes pakalpojumu nodrošinātājiem, izplatītāju vai mazumtirgotāju. Nepareiza utilizācija var radīt iespējamu negatīvu ietekmi uz vidi un cilvēku veselību, jo pastāv bīstamu vielu klātbūtnes risks.



**Piezīme:** Simbols ir redzams uz izstrādājuma vai tā iepakojuma.

## Tehniskie dati

### Reģistrētās preču zīmes

Bluetooth® preču zīme un logotipi ir Bluetooth SIG, inc. reģistrētās preču zīmes, un Husqvarna tās izmanto atbilstoši licencei.

### Tehniskie dati

Frekvenču joslas, MHz	No 2400 līdz 2483,5
Maksimālā pārraidītā jauda, dBm	4

Citus tehniskos datus skatiet akumulatora datu plāksnītē.

diapazonā, akumulators nedarbosies pareizi.

## Ieteicamais temperatūras diapazons



**IEVĒROJIET:** Liela noslodze, kad akumulatora temperatūra ir zemāka par 0 °C (32 °F) var izraisīt īslaicīgu akumulatora kļūdu.



**IEVĒROJIET:** Lietojiet un uzglabājiet akumulatoru tikai ieteicamajā temperatūras diapazonā. Ja temperatūra nav šajā



**IEVĒROJIET:** Akumulators neuzlādēsies, ja tā temperatūra nav ieteicamajā temperatūras diapazonā.

Lietošanas temperatūra	Uzlādes temperatūra	Uzglabāšana temperatūra
-10–40 °C/14–104 °F	5–40 °C/41–104 °F	5–25 °C/41–77 °F

## Apstiprinātie akumulatoru lādētāji

Tabula

Akumulatora lādētājs	QC330	QC500	40-C500X	40-C750X	40-C1000X4
Izejas spriegums, V	36	36	36	36	36
Ievades spriegums, V	100–240	100–240	100–240	100–240	100–240
Frekvence, Hz	50–60	50–60	50–60	50–60	50–60
Jauda, W	330	500	500	750	1000 <sup>81</sup>

Tabula

Akumulatora lādētājs	40-C500X	40-C750X
Izejas spriegums, V	36	36
Ievades spriegums, V	100–240	100–240
Frekvence, Hz	50–60	50–60
Jauda, W	500	750

## atbilstības deklarācija

### Atbilstības deklarācija

Mēs, Husqvarna AB, SE-561 82 Huskvarna, ZVIEDRIJA, tālrunis: +46 36 146500, ar pilnu atbildību apliecinām, ka šis izstrādājums:

Apraksts	Atkārtoti uzlādējams lītiņa jonu akumulators
Zīmols	Husqvarna®

<b>Apraksts</b>	<b>Atkārtoti uzlādējams litija jonu akumulators</b>
<b>Tips/modelis</b>	40-B140X, 40-B220X, 40-B330X, 40-B360X, 40-B540X
<b>Identifikācija</b>	Sākot ar sērijas numuriem 2026

atbilst šādām papildinātām ES direktīvām un regulām:

<b>Direktīva/regula</b>	<b>Apraksts</b>
2014/30/ES	"par elektromagnētisko savietojamību"
2014/53/ES <sup>82</sup>	"par radioiekārtām"
(ES) 2023/1542	"par baterijām un bateriju atkritumiem"

un ir ievēroti tālāk norādītie standarti un/vai tehniskās specifikācijas;

EN IEC 62133-2:2017+A1:2021

EN IEC 62133-2:2017<sup>83</sup>

IEC 63370:2022

EN 61000-6-1:2007/EN IEC 61000-6-1:2019,  
EN 61000-6-3:2007+A1:2011+AC:2012, EN IEC  
61000-6-3:2021<sup>84</sup>

ETSI EN 301 489-1 v.1.9.2, ETSI EN 301 489-17  
v.3.2.4, ETSI 300 328 v.2.2.2<sup>85</sup>

EN IEC 63000:2018

Citi testi, kas saistīti ar bīstamo preču transportēšanu;

UN 38.3 standarts, 7. izdevums

Huskvarna, 2026-04-10



Larss Rüss (Lars Roos)

Pētniecības un izstrādes nodaļas direktors, Akumulatoru kompetences centrs

Huskvarna AB, ZVIEDRIJA

Atbildīgais par tehnisko dokumentāciju



<sup>82</sup> Attiecas uz versijām, kas ietver Bluetooth® savienojumu.

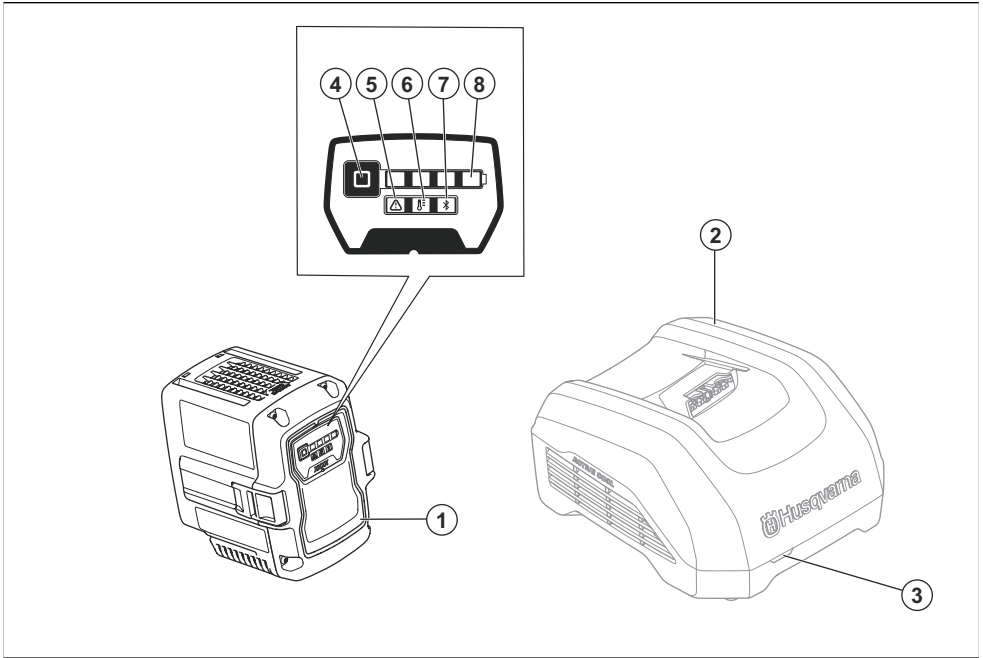
<sup>83</sup> Attiecas tikai uz 40-B220X.

<sup>84</sup> EMS testēšana tika veikta arī dažādiem izstrādājumiem, kas izmanto akumulatoru.

<sup>85</sup> Attiecas uz versijām, kas ietver Bluetooth® savienojumu.

# Pengenalan

## Gambaran keseluruhan produk



1. Bateri
2. Pengecas bateri (aksesori)
3. Penunjuk pengecasan dan ralat
4. Butang keadaan cas
5. Penunjuk ralat
6. Penunjuk suhu bateri
7. Bluetooth® penanda (jika berkenaan)
8. Penunjuk keadaan cas

## Simbol pada produk



Berhati-hati dan gunakan produk dengan betul. Produk ini boleh menyebabkan kecederaan serius atau kematian kepada pengendali dan orang lain.



Baca manual pengendali tentang bateri, pengecas yang diluluskan dan produk tanpa kord yang menggunakan bateri ini. Anda boleh menemukan manual di [www.husqvarna.com/support](http://www.husqvarna.com/support). Cari nama model. Pastikan anda memahami semua arahan sebelum anda menggunakan produk.



Voltan berbahaya.



Boleh digunakan dalam hujan.



Dilindungi daripada simbanan air.



Produk ini mematuhi arahan EC dan peraturan yang berkenaan.



Kitar semula produk di lokasi pelupusan yang berkenaan untuk elektrik dan elektronik.



Produk atau pakej produk bukan bahan buangan domestik.



Jangan rendamkan bateri dalam air.



Jika produk bercirikan teknologi wayarles *Bluetooth*<sup>®</sup>. Simbol *Bluetooth*<sup>®</sup> akan ditandakan pada label nama produk. Rujuk *Teknologi wayarles Bluetooth*<sup>®</sup> pada halaman 126.

**Nota:** Simbol/pelekat lain pada produk merujuk kepada keperluan pensijilan untuk sesetengah bahagian komersial.

## Perihalan produk

Husqvarna 40-B140X, 40-B220X, 40-B330X, 40-B360X, 40-B540X ialah bateri Li-ion 36 V mudah alih dan boleh dicas semula untuk alat berkuasa bateri Husqvarna.

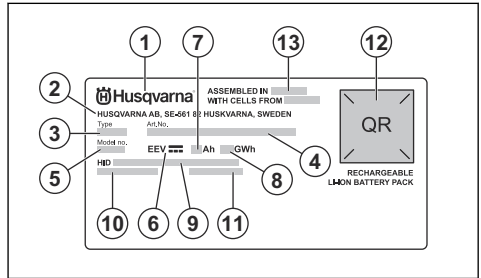
Sebagai sebahagian daripada proses pembangunan produk berterusan kami, Husqvarna berhak mengubah suai reka bentuk dan/atau rupa produk tanpa memberikan notis.

## Tujuan penggunaan

Bateri ini adalah untuk alat berkuasa bateri Husqvarna. Baca manual alat kuasa untuk memastikan bateri diluluskan untuk digunakan dengan alat kuasa tersebut.

**Nota:** Peraturan negara atau setempat mungkin mengawal penggunaan. Patuhi peraturan yang berkenaan. Bateri ini adalah untuk digunakan dengan pengecas bateri yang diluluskan. Rujuk *Pengecas bateri yang diluluskan pada halaman 129*.

## Plat jenis



1. Jenama
2. Alamat pengeluaran
3. Jenis
4. Nombor artikel
5. Nombor model
6. Voltan
7. Ampere-jam
8. Watt jam
9. Identiti Husqvarna (HID)
10. Jenis sel bateri
11. Nombor siri dengan tarikh pengeluaran
12. Kod boleh diimbas
13. Negara pemasangan

## Keselamatan

### Takrifan keselamatan

Amaran, awasan dan nota digunakan untuk menunjukkan bahagian yang amat penting dalam manual.



**AMARAN:** Digunakan jika terdapat risiko kecederaan atau kematian kepada pengendali atau orang sekeliling jika arahan dalam manual tidak dipatuhi.



**AWAS:** Digunakan jika terdapat kerosakan kepada produk, bahan lain atau kawasan berhampiran jika arahan dalam manual tidak dipatuhi.

**Nota:** Digunakan untuk memberikan maklumat lanjut yang perlu dalam situasi tertentu.

### Arahan keselamatan penting



**AMARAN:** Baca semua amaran keselamatan dan semua arahan. Kegagalan mematuhi semua amaran dan arahan mungkin menyebabkan kejutan elektrik, kebakaran dan/atau kecederaan serius.

**Nota:** Simpan semua amaran dan arahan.

- Hanya gunakan pengecas bateri Husqvarna yang diluluskan untuk mengecap bateri asli Husqvarna. Bateri disulitkan dengan perisian.
- Gunakan bateri Husqvarna diluluskan yang boleh dicas semula sebagai bekalan kuasa untuk produk Husqvarna yang berkenaan sahaja. Untuk mengelakkan kecederaan, jangan gunakan bateri sebagai bekalan kuasa bagi peranti lain.

- Jangan cuba memisahkan bahagian atau membaiki bateri. Semua pembaikan perlu dilakukan oleh penjual yang diluluskan sahaja.
- Jauhi bateri daripada cahaya matahari, haba atau api. Bateri boleh menyebabkan kelecuman dan/atau kelecuman kimia.
- Jangan gunakan bateri atau pengecas bateri yang rosak.
- Jangan sebabkan kejutan mekanikal terhadap bateri.
- Jauhi bateri daripada kanak-kanak.

- Pastikan bateri bersih dan kering.
- Bersihkan terminal bateri dengan kain yang kering dan bersih jika terminal kotor.
- Jangan simpan bateri dalam pengecas bateri apabila bateri dicas sepenuhnya.
- Tanggalkan bateri dari produk apabila anda tidak menggunakannya dan semasa pemindahan.
- Simpan bateri di tempat yang jauh daripada objek logam seperti paku, skru atau barang kemas.

---

## Pengendalian

---

### Pengendalian

- Kendalikan dan simpan bateri hanya dalam julat suhu yang disyorkan. Rujuk *Julat suhu yang disyorkan pada halaman 129*.
- Tekan butang keadaan cas untuk memulakan bateri sebelum digunakan.
- Bateri mesti dicas sebelum anda menggunakannya buat kali pertama. Hanya gunakan pengecas bateri Husqvarna diluluskan. Rujuk *Pengecas bateri yang diluluskan pada halaman 129*.
- Kurangkan beban kerja dan/atau kelajuan apabila penunjuk suhu bateri berkelip.
- Tekan butang keadaan cas untuk mendapatkan maklumat keadaan cas bateri.

### Husqvarna Connect

Husqvarna Connect merupakan aplikasi percuma untuk peranti mudah alih anda. Aplikasi Husqvarna Connect menyediakan fungsi lanjutan untuk produk Husqvarna anda.

- Maklumat lanjutan produk.
- Maklumat dan bantuan berkaitan alat ganti dan servis.

Untuk maklumat lanjut tentang Husqvarna Connect, rujuk [www.husqvarna.com](http://www.husqvarna.com).

**Nota:** Aplikasi Husqvarna Connect tidak tersedia untuk muat turun di semua pasaran. Rujuk dengan pembekal servis anda untuk maklumat lanjut.

### Untuk mula menggunakan Husqvarna Connect

1. Muat turun aplikasi Husqvarna Connect pada peranti mudah alih anda.
2. Daftar dalam aplikasi Husqvarna Connect.
3. Ikut langkah arahan dalam aplikasi Husqvarna Connect untuk menambahkan produk.

**Nota:** Aplikasi Husqvarna Connect tidak tersedia untuk muat turun di semua pasaran. Rujuk dengan pembekal servis anda untuk maklumat lanjut.

### Husqvarna Fleet Services™

Husqvarna Fleet Services™ merupakan penyelesaian awan yang memberi pengurus armada komersial gambaran keseluruhan bagi semua produk. Husqvarna Fleet Services™ tersedia sebagai perkhidmatan web dan sebagai aplikasi. Untuk maklumat lanjut tentang Husqvarna Fleet Services™, rujuk [www.husqvarna.com](http://www.husqvarna.com).

**Nota:** Penyelesaian awan Husqvarna Fleet Services™ tidak tersedia di semua pasaran.

### Untuk menyambungkan produk dengan Husqvarna Fleet Services™

1. Muat turun aplikasi Husqvarna Fleet Services™ pada peranti mudah alih anda.
2. Log masuk ke aplikasi Husqvarna Fleet Services™.
3. Ikut arahan tentang cara memasangkan produk dengan Husqvarna Fleet Services™.

### Teknologi wayarles Bluetooth®

Produk dengan teknologi wayarles Bluetooth® terbina dalam boleh disambungkan kepada peranti mudah alih.

Simbol untuk teknologi wayarles Bluetooth® akan terpapar apabila peranti mudah alih anda disambungkan kepada produk.



**Nota:** Peranti ini telah dinilai untuk mematuhi keperluan pendedahan Frekuensi Radio (RF) yang berkenaan. Peranti boleh digunakan dalam keadaan pendedahan mudah alih tanpa sekatan.

### Kemas kini perisian tegar melalui udara (untuk bateri dengan Bluetooth® terbina dalam)

Bateri dengan Bluetooth® memuat turun dan memasang perisian tegar baharu secara automatik.

- Muat turun bermula apabila perisian tegar yang baharu tersedia dan bateri disambungkan

kepada Husqvarna Connect atau Husqvarna Fleet Services™.

- Penunjuk Bluetooth® menunjukkan apabila bateri disambungkan semasa paparan bateri aktif.
- Muat turun perisian tegar mengambil masa 10-15 minit. Jika muat turun berhenti atau gagal, bateri akan cuba memuat turun perisian tegar sekali lagi.
- Pemasangan perisian tegar bermula apabila muat turun selesai dan bateri tidak digunakan atau sedang dicas.
- Penunjuk keadaan cas berdenyut semasa pemasangan perisian tegar. Pemasangan perisian tegar mengambil masa 10-15 saat.

## Untuk mengecbas bateri

Cas bateri sebelum pengendalian kali pertama. Bateri baru dicas hingga 30%. Tekan butang keadaan cas untuk mendapatkan maklumat keadaan cas bateri. Kendalikan dan simpan bateri hanya dalam julat suhu yang disyorkan. Rujuk *Julat suhu yang disyorkan pada halaman 129*.

1. Masukkan bateri ke dalam pengecas bateri. Apabila penunjuk pengecasan pada pengecas bateri dihidupkan, bateri disambungkan dengan betul kepada pengecas bateri.

2. Bateri dicas sepenuhnya apabila semua penunjuk keadaan cas pada bateri dihidupkan.
3. Keluarkan bateri dari pengecas bateri.

## Status pengecasan bateri

Bateri Li-ion Husqvarna boleh dicas atau digunakan pada semua tahap pengecasan.

Penunjuk keadaan cas	Status bateri (keadaan pengecas)
4 penunjuk hidup	Bateri dicas 76% - 100%.
3 penunjuk hidup	Bateri dicas 51% - 75%.
2 penunjuk hidup	Bateri dicas 26% - 50%.
1 penunjuk hidup	Bateri dicas 11% - 25%.
1 penunjuk berkelip	Bateri dicas 0% - 10%.

---

## Pencarisilapan

---

### Pencarisilapan

Gejala	Punca	Tindakan
Satu penunjuk keadaan cas berkelip. Untuk produk dengan sesetengah versi perisian tegar, penunjuk ralat bateri juga berkelip.	Bateri habis.	Cas bateri.
Penunjuk ralat bateri berkelip.	Beban kerja berat dengan suhu bateri yang sangat rendah.	Menyebabkan bateri menjadi panas. Contohnya, alihkannya ke dalam bangunan atau kendalikannya pada kelajuan rendah sehingga bateri menjadi panas.
	Bateri tidak beroperasi. Julat operasi bateri berada pada hadnya.	Keluarkan bateri dari produk. Tunggu 5 minit. Tekan butang keadaan cas.
Penunjuk suhu bateri adalah HIDUP.	Bateri terlalu sejuk atau terlalu panas untuk digunakan.	Kekalkan bateri pada suhu sekeliling antara -10°C (14°F) hingga 40°C (104°F). Apabila bateri mencapai suhu yang betul, bateri boleh digunakan sekali lagi.
Penunjuk suhu bateri akan berkelip.	Bateri hampir mencapai had suhu.	Kurangkan kelajuan dan/atau beban kerja. Kekalkan bateri dalam suhu pilihan antara +10°C (50°F) hingga +30°C (86°F) untuk prestasi optimum.

Gejala	Punca	Tindakan
Penunjuk suhu bateri adalah HIDUP ketika bateri berada di dalam pengecas.	Sisihan suhu, bateri terlalu sejuk atau terlalu panas untuk dicas.	Biarkan bateri menyejuk atau memindahkannya ke dalam bangunan untuk memanaskannya. Apabila bateri mencapai suhu yang betul, bateri boleh dicas semula. Pastikan pengecas digunakan apabila suhu sekeliling adalah antara 5°C (41°F) hingga 40°C (104°F). Jauhkan pengecas daripada cahaya matahari. Jika masalah berterusan, rujuk wakil pembekal anda.
Penunjuk ralat bateri HIDUP.	Bateri mempunyai ralat kritikal.	Rujuk pembekal servis Husqvarna anda.

## Pengangkutan, penyimpanan dan pembuangan

### Pemindahan dan simpanan

- Bateri Li-ion yang dibekalkan mematuhi keperluan Undang-undang Barangan Berbahaya.
- Patuhi keperluan khas pada pakej dan label untuk pengangkutan komersial, termasuk oleh pihak ketiga dan ejen pengangkutan.
- Rujuk orang yang telah melalui latihan khas tentang bahan berbahaya sebelum anda menghantar produk. Patuhi semua peraturan negara yang berkenaan.
- Gunakan pita pada titik sambungan apabila anda memasukkan bateri ke dalam pakej. Pastikan bateri disimpan rapi di dalam pakej untuk mengelakkan kerosakan dan kemalangan.
- Jangan simpan bateri di tempat yang mungkin berlaku elektrik statik. Jangan simpan bateri di dalam kotak logam.
- Letakkan bateri di tempat yang kering, bebas fros dan ruang yang bersih dengan suhu yang betul.
- Kendalikan dan simpan bateri hanya dalam julat suhu yang disyorkan. Rujuk *Julat suhu yang disyorkan pada halaman 129*.
- Cas bateri kepada 30% hingga 50% sebelum anda menyimpan bateri untuk tempoh masa yang panjang.

- Bersihkan bateri sebelum anda meletakkannya dalam storan.

### Pembuangan

Simbol berikut bermaksud produk tersebut bukan merupakan bahan buangan domestik. Kitar semula produk melalui sistem pengumpulan tempatan anda untuk peralatan elektrik dan elektronik. Tindakan ini menyumbang kepada pengurusan akhir hayat yang betul bagi bahan buangan. Untuk maklumat, hubungi pihak berkuasa tempatan, perkhidmatan bahan buangan domestik, wakil penjual atau peruncit anda. Pelupusan yang tidak betul mungkin mempunyai kesan negatif pada alam sekitar dan kesihatan manusia, disebabkan oleh potensi kehadiran bahan yang berbahaya.



**Nota:** Simbol yang ditunjukkan pada produk atau pakej produk.

## Data teknikal

### Tanda dagangan berdaftar

Tanda perkataan dan logo *Bluetooth®* merupakan tanda dagangan berdaftar milik *Bluetooth SIG, inc.* dan sebarang penggunaan tanda tersebut oleh Husqvarna adalah dengan kebenaran.

### Data teknikal

Jalur frekuensi, MHz	2400 – 2483.5
Kuasa maks yang dipancarkan, dBm	4

Untuk data teknikal lain, rujuk kepada plat penarafan pada bateri.

suhu berada di luar julat ini, bateri tidak akan berfungsi dengan betul.

## Julat suhu yang disyorkan



**AWAS:** Beban kerja yang berat apabila suhu bateri kurang daripada 0°C (32°F) boleh menyebabkan ralat bateri sementara.



**AWAS:** Kendalikan dan simpan bateri hanya dalam julat suhu yang disyorkan. Jika



**AWAS:** Bateri tidak akan dicas jika suhunya berada di luar julat suhu yang disyorkan.

Suhu penggunaan	Suhu pengecasan	Suhu penyimpanan
-10–40 °C / 14–104 °F	5–40 °C / 41–104 °F	5–25 °C / 41–77 °F

## Pengecas bateri yang diluluskan

### Jadual

Pengecas bateri	QC330	QC500	40-C500X	40-C750X	40-C1000X4
Voltan output, V	36	36	36	36	36
Voltan input, V	100–240	100–240	100–240	100–240	100–240
Frekuensi, Hz	50–60	50–60	50–60	50–60	50–60
Kuasa, W	330	500	500	750	1000 <sup>86</sup>

### Jadual

Pengecas bateri	40-C500X	40-C750X
Voltan output, V	36	36
Voltan input, V	100–240	100–240
Frekuensi, Hz	50–60	50–60
Kuasa, W	500	750

## Pengisytiharan Pengukuran

### Pengisytiharan Pengukuran

Kami, Husqvarna AB, SE-561 82 Huskvarna, SWEDEN, Tel: +46 36 146500 mengisytiharkan tanggungjawab kami sepenuhnya bahawa produk ini:

Perihal	Bateri Boleh Dicas Semula Li-Ion
Jenama	Husqvarna®
Jenis/Model	40-B140X, 40-B220X, 40-B330X, 40-B360X, 40-B540X

<sup>86</sup>

Kuasa maksimum apabila mengecas hanya satu bateri ialah 600 W.

<b>Perihal</b>	<b>Bateri Boleh Dicas Semula Li-Ion</b>
<b>Pengenalpastian</b>	Nombor siri bertarikh dari 2026 dan seterusnya

mematuhi arahan dan peraturan EU berikut seperti yang dipinda:

<b>Arahan/Peraturan</b>	<b>Perihal</b>
2014/30/EU	"berkenaan keserasian elektromagnet"
2014/53/EU <sup>87</sup>	"berkaitan dengan peralatan radio"
(EU) 2023/1542	"berkaitan dengan bateri dan sisa bateri"

dan standard dan/atau spesifikasi teknikal berikut digunakan;

EN IEC 62133-2:2017+A1:2021

EN IEC 62133-2:2017<sup>88</sup>

IEC 63370:2022

EN 61000-6-1:2007/EN IEC 61000-6-1:2019,  
EN 61000-6-3:2007+A1:2011+AC:2012, EN IEC  
61000-6-3:2021<sup>89</sup>

ETSI EN 301 489-1 v.1.9.2, ETSI EN 301 489-17  
v.3.2.4, ETSI 300 328 v.2.2.2<sup>90</sup>

EN IEC 63000:2018

Ujian lain yang berkaitan dengan pengangkutan  
barangan berbahaya;

UN 38.3 Edisi 7

Huskvarna, 2026-04-10



Lars Roos

Pengarah R&D, Pusat Kecekapan Bateri

Husqvarna AB, SWEDEN

Bertanggungjawab untuk dokumentasi teknikal



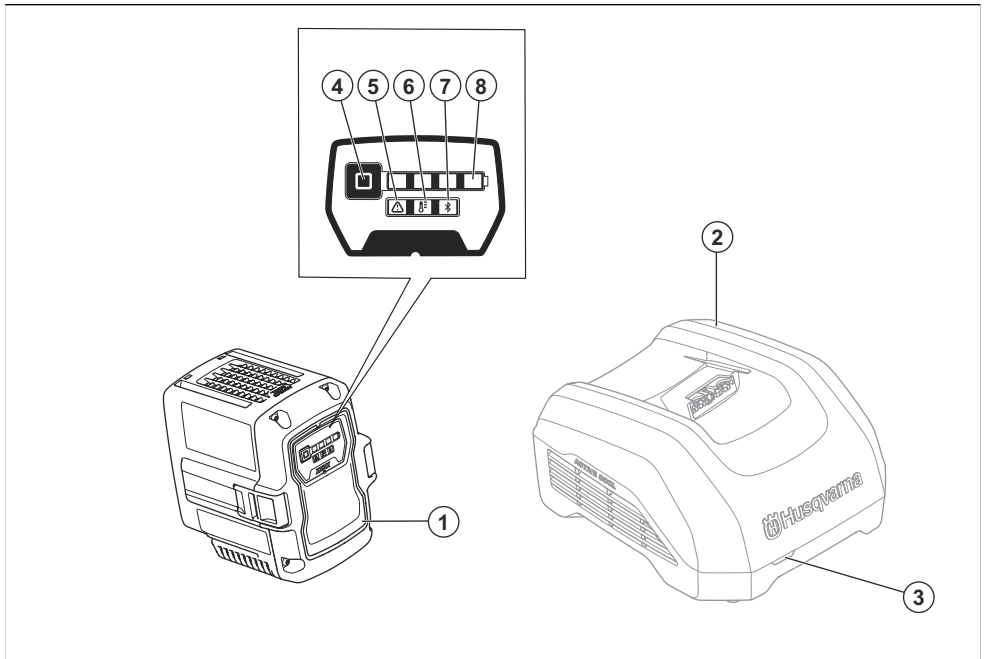
<sup>87</sup> Terpakai untuk versi yang dilengkapi dengan komunikasi Bluetooth®.

<sup>88</sup> Terpakai untuk 40-B220X sahaja.

<sup>89</sup> Ujian EMC juga dijalankan pada pelbagai produk yang menggunakan bateri ini.

<sup>90</sup> Terpakai untuk versi yang dilengkapi dengan komunikasi Bluetooth®.

## Productoverzicht



1. Accu
2. Acculader (accessoire)
3. Laad- en foutindicator
4. Knop laadstatus
5. Foutindicator
6. Indicator accutemperatuur
7. Bluetooth® indicator (indien van toepassing)
8. Laadstatuslampje

## Symbolen op het product



Wees voorzichtig en gebruik het product op de juiste manier. Dit product kan ernstig of fataal letsel toebrengen aan de gebruiker of anderen.



Lees de gebruikershandleiding van de accu, de goedgekeurde oplader en het draadloze product waarin deze accu wordt gebruikt zorgvuldig door. U vindt de handleidingen op [www.husqvarna.com/support](http://www.husqvarna.com/support). Zoek op de modelnaam. Zorg ervoor dat u alle instructies begrijpt voordat u het product gebruikt.



Gevaarlijke spanning.



Geschikt voor gebruik in de regen.



Beschermd tegen spatwater.



Het product voldoet aan de geldende EG-richtlijnen en regelgeving.



Lever het product in bij een geschikte verwijderingslocatie voor elektrische en elektronische apparatuur.



Het product of de verpakking ervan is geen huishoudelijk afval.



Dompel de accu niet onder in water.



Als het product beschikt over draadloze technologie van *Bluetooth®*. Het *Bluetooth®*-symbool staat op het label met de productnaam. Zie *Draadloze Bluetooth®-technologie op pagina 133*.

**Let op:** Andere symbolen/stickers op het product hebben betrekking op certificeringseisen voor een aantal commerciële markten.

## Productbeschrijving

Husqvarna 40-B140X, 40-B220X, 40-B330X, 40-B360X, 40-B540X is een draagbare, oplaadbare li-ion 36 V-accu voor Husqvarna accu-aangedreven gereedschappen.

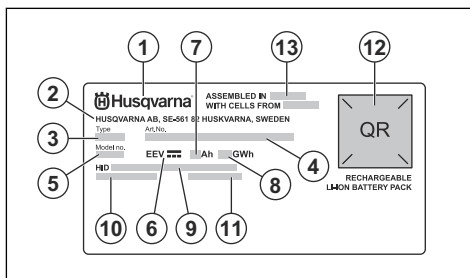
Husqvarna werkt voortdurend aan het verder ontwikkelen van onze producten en behoudt zich dan ook het recht voor om zonder aankondiging vooraf wijzigingen in het ontwerp en/of uiterlijk van de producten door te voeren.

## Beoogd gebruik

Deze accu's zijn bedoeld voor Husqvarna accu-aangedreven gereedschappen. Lees de handleiding van het elektrisch gereedschap door om er zeker van te zijn dat de accu is goedgekeurd voor het elektrische gereedschap.

**Let op:** Landelijke of lokale wettelijke voorschriften kunnen van toepassing zijn op het gebruik. Houd u aan de geldende regelgeving. Deze accu's zijn bedoeld voor gebruik met goedgekeurde acculaders. Zie *Goedgekeurde acculaders op pagina 136*.

## Typeplaatje



1. Merk
2. Adres fabrikant
3. Type
4. Artikelnummer
5. Modelnummer
6. Spanning
7. Ampère-uren
8. Watt-uren
9. Husqvarna-identiteit (HID)
10. Type accucel
11. Serienummer met productiedatum
12. Scanbare code
13. Land van assemblage

## Veiligheid

### Veiligheidsdefinities

Waarschuwingen, voorzorgsmaatregelen en opmerkingen worden gebruikt om te wijzen op belangrijke delen van de handleiding.



**WAARSCHUWING:** Wordt gebruikt om te wijzen op de kans op ernstig of fataal letsel voor de gebruiker of omstanders wanneer de instructies in de handleiding niet worden gevolgd.



**OPGELET:** Wordt gebruikt indien er een risico bestaat op schade aan het product en andere eigendommen of aan de omgeving wanneer de instructies in de handleiding niet worden gevolgd.

**Let op:** Geven verdere informatie die nodig is in een bepaalde situatie.

### Belangrijke veiligheidsinstructies



**WAARSCHUWING:** Lees alle veiligheidswaarschuwingen en alle instructies. Het niet opvolgen van de waarschuwingen en instructies kan leiden tot elektrische schokken, brand en/of ernstig letsel.

**Let op:** Bewaar alle waarschuwingen en instructies.

- Gebruik alleen door Husqvarna goedgekeurde acculaders om originele Husqvarna-accu's op te

laden. De accu's zijn voorzien van softwarematige encryptie.

- Gebruik Husqvarna goedgekeurde accu's die oplaadbaar zijn uitsluitend als een voedingsbron voor de bijbehorende producten van Husqvarna. Gebruik de accu niet als voedingsbron voor andere apparaten, om letsel te voorkomen.
- Probeer de accu niet te demonteren of repareren. Alle reparaties mogen uitsluitend worden uitgevoerd door een erkende dealer.
- Bescherm de accu tegen direct zonlicht, warmte of open vuur. De accu kan brandwonden en/of chemische brandwonden veroorzaken.

- Gebruik geen beschadigde accu of acculader.
- Stel de accu niet bloot aan mechanische schokken.
- Houd de accu buiten het bereik van kinderen.
- Hou de accu schoon en droog.
- Veeg de accupolen schoon met een schone, droge doek als ze vuil worden.
- Verwijder de accu uit de acculader als deze volledig is opgeladen.
- Verwijder de accu uit het product wanneer u het niet gebruikt en tijdens transport.
- Sla accu's op uit de buurt van metalen voorwerpen, bijvoorbeeld spijkers, schroeven en sieraden.

---

## Werking

---

### Werking

- Gebruik en bewaar de accu uitsluitend binnen het aanbevolen temperatuurbereik. Zie *Aanbevolen temperatuurbereik op pagina 136*.
- Druk voor gebruik op de laadstatusknop om de accu op te starten.
- De accu moet vóór het eerste gebruik worden opgeladen. Gebruik altijd een acculader goedgekeurd door Husqvarna. Zie *Goedgekeurde acculaders op pagina 136*.
- Verlaag de werklust en/of het toerental, wanneer de accutemperatuurindicator knippert.
- Druk op de laadstatusknop voor informatie over de laadstatus van de accu.

### Husqvarna Connect

Husqvarna Connect is een gratis app voor uw mobiele apparaat. De Husqvarna Connect-app biedt uitgebreide functies voor uw Husqvarna-product.

- Uitgebreide productinformatie.
- Informatie over, en hulp bij, onderdelen en onderhoud van uw product.

Zie [www.husqvarna.com](http://www.husqvarna.com) voor meer informatie over Husqvarna Connect.

---

**Let op:** De Husqvarna Connect-app kan niet in alle markten worden gedownload. Neem voor meer informatie contact op met uw servicedealer.

---

### Husqvarna Connect gebruiken

1. Download de Husqvarna Connect-app op uw mobiele apparaat.
2. Registreer in de Husqvarna Connect-app.
3. Volg de instructies in de Husqvarna Connect-app om het product toe te voegen.

---

**Let op:** De Husqvarna Connect-app kan niet in alle markten worden gedownload. Neem voor meer informatie contact op met uw servicedealer.

---

### Husqvarna Fleet Services™

Husqvarna Fleet Services™ is een cloudoplossing waarmee de commerciële fleetmanager een overzicht heeft van alle producten. Husqvarna Fleet Services™ is beschikbaar als webservice en als app. Zie [www.husqvarna.com](http://www.husqvarna.com) voor meer informatie over Husqvarna Fleet Services™.

---

**Let op:** Husqvarna Fleet Services™-cloudoplossing is niet in alle markten verkrijgbaar.

---

### Het product verbinden met Husqvarna Fleet Services™

1. Download de Husqvarna Fleet Services™-app naar uw mobiele apparaat.
2. Meld u aan bij de Husqvarna Fleet Services™-app.
3. Volg de instructies voor het koppelen van het product met Husqvarna Fleet Services™.

### Draadloze Bluetooth®-technologie

Producten met ingebouwde draadloze Bluetooth®-technologie kunnen verbinding maken met een mobiel apparaat.

Het symbool voor draadloze Bluetooth®-technologie gaat branden als uw mobiele apparaat is verbonden met het product.



---

**Let op:** Dit apparaat is beoordeeld om

te voldoen aan de toepasselijke vereisten voor blootstelling aan radiofrequentie (RF). Het apparaat kan zonder beperking worden gebruikt in draagbare blootstellingsomstandigheden.

---

## Firmware over the air bijwerken (voor accu's met ingebouwde Bluetooth®)

Accu's met Bluetooth® automatisch downloaden en installeren van nieuwe firmware.

- Het downloaden begint wanneer er nieuwe firmware beschikbaar is en de accu is aangesloten op Husqvarna Connect of Husqvarna Fleet Services™.
- De Bluetooth® indicator geeft aan wanneer de accu is aangesloten terwijl het accudisplay actief is.
- Het downloaden van de firmware duurt 10-15 minuten. Als het downloaden stopt of mislukt, probeert de accu de firmware opnieuw te downloaden.
- De firmware-installatie begint wanneer het downloaden is voltooid en de accu niet in gebruik is of wordt opgeladen.
- De laadstatusindicatoren knipperen tijdens de firmware-installatie. De firmware-installatie duurt 10-15 seconden.

### De accu opladen

Laad de accu voor het eerste gebruik op. Een nieuwe accu is 30% opgeladen. Druk op de laadstatusknop voor informatie over de laadstatus van de accu. Gebruik en bewaar de accu uitsluitend binnen het aanbevolen temperatuurbereik. Zie *Aanbevolen temperatuurbereik op pagina 136*.

1. Plaats de accu in de acculader. Wanneer de laadindicator op de acculader gaat branden, is de accu goed aangesloten op de acculader.
2. De accu is volledig opgeladen wanneer alle laadstatusindicatoren op de accu branden.
3. Haal de accu uit de acculader.

### Acculaadstatus

Een Li-ionaccu van Husqvarna kan worden opgeladen en gebruikt bij alle laadniveaus.

Laadstatusindicatoren	Accustatus (laadstatus)
4 indicators branden	De accu is 76% - 100% opgeladen.
3 indicators branden	De accu is 51% - 75% opgeladen.
2 indicators branden	De accu is 26% - 50% opgeladen.
1 indicator brandt	De accu is 11% - 25% opgeladen.
1 indicator knippert	De accu is 0% - 10% opgeladen.

---

## Probleemoplossing

---

### Probleemoplossing

Symptomen	Oorzaak	Actie
Een laadstatusindicator knippert. Bij producten met bepaalde firmwareversies knippert de accufoutindicator ook.	De accu is leeg.	Laad de accu op.
De accufoutindicator knippert.	Zware werklast in combinatie met een zeer lage accutemperatuur.	Laat de accu warm worden. Verplaats de accu bijvoorbeeld naar binnen of werk alleen met een lage toerental totdat de accu warm is.
	De accu werkt niet. Het bedrijfsbereik van de accu heeft de limiet bereikt.	Verwijder de accu uit het product. Wacht 5 minuten. Druk op de laadstatusknop.
De accutemperatuurindicator is AAN.	De accu is te koud of te heet om te gebruiken.	Houd de accu in een omgevingstemperatuur tussen -10 °C (14 °F) en 40 °C (104 °F). Als de accu de juiste temperatuur heeft, kan deze weer worden gebruikt.

Symptomen	Oorzaak	Actie
De accutemperatuurindicator knijpt.	De accu heeft bijna de temperatuurgrenzen bereikt.	Verlaag het toerental en/of de werklast. Houd de accu op de gewenste temperatuur tussen +10°C en +30°C voor optimale prestaties.
De accutemperatuurindicator is AAN terwijl de accu in de lader is.	Temperatuurafwijking, de accu is te koud of te heet om op te laden.	Laat de accu afkoelen of breng deze naar binnen om warm te worden. Als de accu de juiste temperatuur heeft, kan deze weer laden. Gebruik de lader alleen als de omgevingstemperatuur tussen 5°C (41°F) en 40°C (104°F) ligt. Houd de lader uit direct zonlicht. Indien het probleem zich blijft voordoen, neemt u contact op met uw dealer.
De accufoutindicator gaat branden.	De accu heeft een kritieke fout.	Neem contact op met uw Husqvarna servicedealer.

## Vervoer, opslag en verwerking

### Transport en opbergen

- De meegeleverde Li-ion-accu's voldoen aan de wettelijke vereisten voor gevaarlijke goederen.
- Neem het bijzondere voorschrift op de verpakking en labels voor commercieel transport in acht. Dit geldt ook voor derden en expediteurs.
- Neem contact op met een persoon die gespecialiseerd is op het gebied van gevaarlijke stoffen voordat u het product verzendt. Neem alle van toepassing zijnde nationale voorschriften in acht.
- Breng tape aan over de polen wanneer u de accu in een pakket plaatst. Plaats de accu strak in het pakket om schade en ongevallen te voorkomen.
- Bewaar de accu niet op plaatsen waar statische elektriciteit aanwezig is. Bewaar de accu niet in een metalen kist.
- Plaats de accu in een droge, vorstvrije en schone ruimte met de juiste temperatuur.
- Gebruik en bewaar de accu uitsluitend binnen het aanbevolen temperatuurbereik. Zie *Aanbevolen temperatuurbereik op pagina 136*.
- Laad de accu op tussen de 30% en 50% voorafgaand aan langdurige opslag.

- Maak de accu schoon voordat u deze opslaat.

### Afvoer

Het symbool betekent dat het product geen huishoudelijk afval is. Lever het in bij uw lokale inzamelsysteem voor elektrische en elektronische apparatuur. Dit draagt bij aan een goed afvalbeheer aan het einde van de levensduur. Neem contact op met de plaatselijke autoriteiten, de afvalverwerkingsdienst, uw dealer of verkoper voor meer informatie. Onjuiste afvoer kan een potentieel negatief effect hebben op het milieu en de volksgezondheid vanwege de mogelijke aanwezigheid van gevaarlijke stoffen.



**Let op:** Het symbool staat op het product of op de verpakking van het product.

## Technische gegevens

### Geregistreerde handelsmerken

Het *Bluetooth®*-woordmerk en de logo's zijn geregistreerde handelsmerken die eigendom zijn van *Bluetooth SIG, inc.* en het gebruik van deze merken door Husqvarna vindt plaats onder licentie.

### Technische gegevens

Frequentiebanden, MHz	2400 – 2483,5
Maximaal uitgezonden vermogen, dBm	4

Raadpleeg het productplaatje op de accu voor overige technische gegevens.

binnen dit bereik ligt, werkt de accu niet correct.

## Aanbevolen temperatuurbereik



**OPGELET:** Wanneer de accutemperatuur lager is dan 0°C kan een zware werklust een tijdelijke accufout veroorzaken.



**OPGELET:** Gebruik en bewaar de accu uitsluitend binnen het aanbevolen temperatuurbereik. Als de temperatuur niet



**OPGELET:** De accu wordt niet opgeladen als de temperatuur niet binnen het aanbevolen temperatuurbereik ligt.

Gebruikstemperatuur	Laadtemperatuur	Opslagtemperatuur
-10–40 °C / 14–104 °F	5–40 °C / 41–104 °F	5–25 °C / 41–77 °F

## Goedgekeurde acculaders

Tabel

Acculader	QC330	QC500	40-C500X	40-C750X	40-C1000X4
Uitgangsspanning, V	36	36	36	36	36
Ingangsspanning, V	100–240	100–240	100–240	100–240	100–240
Frequentie, Hz	50–60	50–60	50–60	50–60	50–60
Vermogen, W	330	500	500	750	1000 <sup>91</sup>

Tabel

Acculader	40-C500X	40-C750X
Uitgangsspanning, V	36	36
Ingangsspanning, V	100–240	100–240
Frequentie, Hz	50–60	50–60
Vermogen, W	500	750

## Verklaring van conformiteit

### Verklaring van overeenstemming

Wij, Husqvarna AB, SE-561 82 Huskvarna, ZWEDEN, tel.: +46 36 146500, verklaren onder onze alleenverantwoordelijkheid dat het product:

Beschrijving	Opladbare Li-ion-accu
Merk	Husqvarna®

<sup>91</sup>

Het maximale vermogen bij het opladen van slechts één accu is 600 W.

<b>Beschrijving</b>	<b>Oplaadbare Li-ion-accu</b>
<b>Type/model</b>	40-B140X, 40-B220X, 40-B330X, 40-B360X, 40-B540X
<b>Identificatie</b>	Serienummers vanaf 2026 en verder

voldoet aan de volgende EU-richtlijnen en  
-verordeningen, inclusief amendementen:

<b>Richtlijn/Verordening</b>	<b>Beschrijving</b>
2014/30/EU	"betreffende elektromagnetische compatibiliteit"
2014/53/EU <sup>92</sup>	"betreffende radioapparatuur"
(EU) 2023/1542	"met betrekking tot accu's en oude accu's"

en dat de volgende normen en/of technische  
specificaties zijn toegepast:

EN IEC 62133-2:2017+A1:2021

EN IEC 62133-2:2017<sup>93</sup>

IEC 63370:2022

EN 61000-6-1:2007/EN IEC 61000-6-1:2019,  
EN 61000-6-3:2007+A1:2011+AC:2012, EN IEC  
61000-6-3:2021<sup>94</sup>

ETSI EN 301 489-1 v.1.9.2, ETSI EN 301 489-17  
v.3.2.4, ETSI 300 328 v.2.2.2<sup>95</sup>

EN IEC 63000:2018

Andere testen omdat dit valt onder transport van  
gevaarlijke goederen;

UN 38.3 editie 7

Husqvarna, 10 april 2026



Lars Roos

R&D Director, Battery Competence Center

Husqvarna AB, ZWEDEN

Verantwoordelijk voor technische documentatie



<sup>92</sup> Van toepassing op versies met Bluetooth®-communicatie.

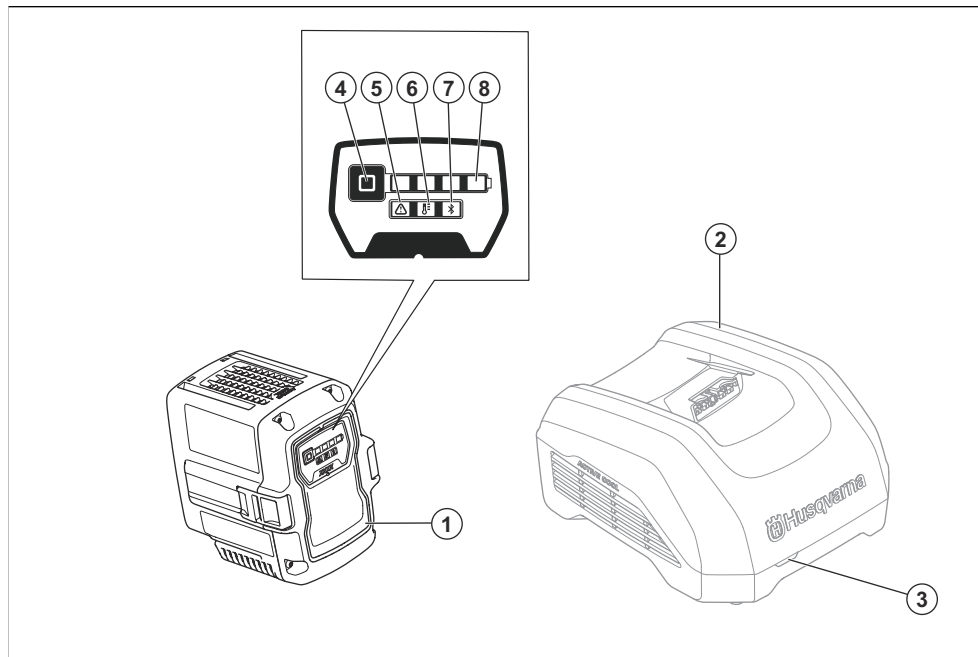
<sup>93</sup> Alleen van toepassing op 40-B220X.

<sup>94</sup> EMC-testen worden ook uitgevoerd op verschillende producten die gebruikmaken van de accu.

<sup>95</sup> Van toepassing op versies met Bluetooth®-communicatie.

# Innledning

## Produktoversikt



1. Batteri
2. Batterilader (tilbehør)
3. Indikator for lading og feil
4. Ladestatusknapp
5. Feilindikator
6. Temperaturindikator for batteri
7. Bluetooth®-indikator (hvis aktuelt)
8. Indikator for ladestatus

## Symboler på produktet



Vær forsiktig, og bruk produktet riktig. Dette produktet kan føre til alvorlig personskade eller død for operatøren eller andre.



Les nøye gjennom bruksanvisningen for batteriet, den godkjente laderen og det trådløse produktet som bruker dette batteriet. Du finner håndbøkene på [www.husqvarna.com/support](http://www.husqvarna.com/support). Søk etter modellnavnet. Sørg for at du forstår alle instruksjonene før du bruker produktet.



Farlig spenning.



OK å bruke i regn.



Beskyttet mot sprutende vann.



Dette produktet samsvarer med gjeldende EF-direktiver og forordninger.



Lever produktet til et godkjent gjenvinningsanlegg for elektrisk og elektronisk utstyr.



Produktet og produktemballasjen er ikke restavfall.



Ikke legg batteriet i vann.



Hvis produktet leveres med trådløs Bluetooth®-teknologi, finner du Bluetooth®-symbolet på produktnavnetiketten. Se *Trådløs Bluetooth®-teknologi på side 140*.

**Merk:** Øvrige symboler/klistremærker angitt på produktet gjelder sertifiseringskrav for enkelte markeder.

## Produktbeskrivelse

Husqvarna 40-B140X, 40-B220X, 40-B330X, 40-B360X, 40-B540X er et bærbart, oppladbart 36 V litiumionbatteri for batteridrevne Husqvarna-verktøy.

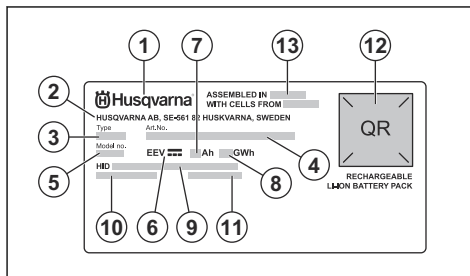
Husqvarna arbeider stadig med å videreutvikle produktene våre og forbeholder seg derfor retten til å gjøre endringer angående blant annet form og utseende uten varsel.

## Bruksområder

Disse batteriene er for batteridrevne Husqvarna-verktøy. Les bruksanvisningen for elektroverktøyet for å sikre at batteriet er godkjent for elektroverktøyet.

**Merk:** Bruken kan være regulert av nasjonal eller lokal lovgivning. Følg gjeldende forskrifter. Disse batteriene er beregnet for bruk med godkjente batteriladere. Se *Godkjente batteriladere på side 143*.

## Typeskilt



1. Merke
2. Produsentens adresse
3. Type
4. Artikkelnnummer
5. Modellnummer
6. Spenning
7. Amperetimer
8. Wattimer
9. Husqvarna-identitet (HID)
10. Ugyldig celletype
11. Serienummer med produksjonsdato
12. Kode som kan skannes
13. Monteringsland

## Sikkerhet

### Sikkerhetsdefinisjoner

Advarsler, oppfordringer og merknader brukes for å understreke spesielt viktige deler av bruksanvisningen i



**ADVARSEL:** Brukes hvis det er fare for personskade eller død for brukeren eller andre personer om instruksjonene i håndboken ikke følges.



**OBS:** Brukes hvis det er fare for skade på produktet, annet materiell eller nærliggende områder dersom instruksjonene i håndboken ikke følges.

**Merk:** Brukes for å gi mer nødvendig informasjon for en spesifikk situasjon.

### Viktige sikkerhetsinstruksjoner



**ADVARSEL:** Les alle sikkerhetsadvarsler og instruksjoner. Hvis du ikke overholder advarslene og instruksjonene, kan dette føre til elektrisk støt, brann og/eller alvorlig personskade.

**Merk:** Ta vare på alle advarsler og instruksjoner.

- Bruk bare Husqvarna-godkjente batteriladere for å lade originale Husqvarna-batterier. Batteriene er programvarekryptert.
- Bruk godkjente Husqvarna-batterier som er oppladbare, som strømforsyning bare for relaterte Husqvarna-produkter. For å unngå personskader må du ikke bruke batteriet som strømforsyning for andre enheter.
- Ikke prøv å demontere eller reparere batteriet. Alle reparasjoner skal utføres av en godkjent forhandler.

- Hold batteriet unna sollys, varme og åpen ild. Batteriet kan forårsake forbrenninger og/eller kjemiske forbrenninger.
- Ikke bruk defekte eller skadede batterier eller batteriladere.
- Ikke utsett batteriet for mekanisk støt.
- Oppbevar batteriet utilgjengelig for barn.
- Hold batteriet rent og tørt.

- Tørk av batteripolene med en tørr, ren klut hvis de blir skitne.
- Ta batteriet ut av batteriladere når det er fulladet.
- Ta batteriet ut av produktet når du ikke bruker det, og under transport.
- Oppbevar batteriene unna metallgjenstander, for eksempel spikre, skruer og smykker.

---

## Drift

---

### Drift

- Bruk og oppbevar batteriet bare i det anbefalte temperaturområdet. Se *Anbefalt temperaturområde på side 142*.
- Trykk på batteristatusknappen for å starte batteriet før bruk.
- Batteriet må lades før første gangs bruk. Bruk alltid en batterilader som er godkjent av Husqvarna. Se *Godkjente batteriladere på side 143*.
- Reduser belastningen og/eller hastigheten når batteritemperaturindikatoren blinker.
- Trykk på batteristatusknappen for å få informasjon om batteriets ladestatus.

### Husqvarna Connect

Husqvarna Connect er en kostnadsfri app for mobilenheten din. Husqvarna Connect-appen gir utvidede funksjoner for Husqvarna-produktet ditt.

- utvidet produktinformasjon
- informasjon om og hjelp med produktdeleer og service

Hvis du vil ha mer informasjon om Husqvarna Connect, kan du se [www.husqvarna.com](http://www.husqvarna.com).

---

**Merk:** Husqvarna Connect-appen er ikke tilgjengelig for nedlasting i alle markeder. Kontakt serviceforhandleren din for mer informasjon.

---

### Slik begynner du å bruke Husqvarna Connect

1. Last ned Husqvarna Connect-appen på mobilenheten din.
2. Utfør registrering i Husqvarna Connect-appen.
3. Følg instruksjonene i Husqvarna Connect-appen for å legge til produktet.

---

**Merk:** Husqvarna Connect-appen er ikke tilgjengelig for nedlasting i alle markeder. Kontakt serviceforhandleren din for mer informasjon.

---

### Husqvarna Fleet Services™

Husqvarna Fleet Services™ er en skyløsning som gir den kommersielle flåtelederen en oversikt over alle produktene. Husqvarna Fleet Services™ er tilgjengelig som en netjtjeneste og som en app. Hvis du vil ha mer

informasjon om Husqvarna Fleet Services™, kan du se [www.husqvarna.com](http://www.husqvarna.com).

---

**Merk:** Husqvarna Fleet Services™-skyløsningen er ikke tilgjengelig i alle markeder.

---

### Slik kobler du produktet til Husqvarna Fleet Services™

1. Last ned Husqvarna Fleet Services™-appen på mobilenheten.
2. Logg på Husqvarna Fleet Services™-appen.
3. Følg instruksjonene om hvordan du parer produktet med Husqvarna Fleet Services™.

### Trådløs Bluetooth®-teknologi

Produkter med innebygd trådløs Bluetooth®-teknologi kan kobles til en mobil enhet.

Symbolet for trådløs Bluetooth®-teknologi tennes når den mobile enheten kobles til produktet.




---

**Merk:** Denne enheten er evaluert og funnet å være i samsvar med gjeldende krav til RF-eksponering (radiofrekvens). Enheten kan brukes under bærbare eksponeringsforhold uten begrensninger.

---

### Oppdater fastvare over luften(for batterier med innebygd Bluetooth®)

Batterier med Bluetooth® laster ned og installerer ny fastvare automatisk.

- Nedlastingen starter når ny fastvare er tilgjengelig og batteriet er koblet til Husqvarna Connect eller Husqvarna Fleet Services™.
- Bluetooth®-indikatoren viser når batteriet er koblet til mens batteridisplayet er aktivt.
- Nedlasting av fastvare tar 10–15 minutter. Hvis nedlastingen stopper eller mislykkes, prøver batteriet å laste ned fastvaren på nytt.
- Fastvareinstallasjonen starter når nedlastingen er fullført og batteriet ikke er i bruk eller lader.

- Indikatorene for ladestatus pulserer under fastvareinstallasjonen. Fastvareinstallasjonen tar 10–15 sekunder.

## Slik lader du batteriet

Lad batteriet før første gangs bruk. Et nytt batteri er ladet til 30 %. Trykk på batteristatusknappen for å få informasjon om batteriets ladestatus. Bruk og oppbevar batteriet bare i det anbefalte temperaturområdet. Se *Anbefalt temperaturområde på side 142*.

1. Sett batteriet i batteriladeren. Når ladeindikatoren på batteriladeren tennes, er batteriet riktig koblet til batteriladeren.
2. Batteriet er fulladet når alle ladeindikatorene på batteriet lyser.
3. Fjern batteriet fra batteriladeren.

## Batteriladestatus

Et Husqvarna Li-ionbatteri kan lades eller brukes ved et hvilket som helst ladenivå.

Indikatorer for ladestatus	Batteristatus (ladestatus)
Fire indikatorer lyser	Batteriet er 76–100 % ladet.
Tre indikatorer lyser	Batteriet er 51–75 % ladet.
To indikatorer lyser	Batteriet er 26–50 % ladet.
Én indikator lyser	Batteriet er 11–25 % ladet.
Én indikator blinker	Batteriet er 0–10 % ladet.

---

## Feilsøking

---

### Feilsøking

Symptomer	Årsak	Tiltak
Én indikator for ladestatus blinker. For produkter med enkelte fastvareversjoner blinker også batterifeilindikatoren.	Batteriet er utladet.	Lad batteriet.
Batterifeilindikatoren blinker.	Stor belastning i kombinasjon med svært lav batteritemperatur.	Varm opp batteriet. Du kan for eksempel flytte det innendørs eller bruke det ved lav hastighet til det er varmt.
	Batteriet fungerer ikke. Batteriets driftsområde er på grensen.	Fjern batteriet fra produktet. Vent i 5 minutter. Trykk på ladestatusknappen.
Batteritemperaturindikatoren lyser.	Batteriet er for kaldt eller for varmt for bruk.	Oppbevar batteriet i omgivelsestemperaturer mellom –10 °C (14 °F) og 40 °C (104 °F). Når batteriet har riktig temperatur, kan det brukes igjen.
Batteritemperaturindikatoren blinker.	Batteriet er i nærheten av temperaturgrensene.	Reduser hastigheten og/eller belastningen. Bruk batteriet fortrinnsvis ved temperaturer mellom +10 °C (50 °F) og +30 °C (86 °F) for å oppnå optimal ytelse.

Symptomer	Årsak	Tiltak
Batteritemperaturindikatoren lyser mens batteriet er i laderen.	Temperaturavvik: Batteriet er for kaldt eller for varmt for lading.	La batteriet avkjøles, eller ta det med innendørs for å varme det opp. Når batteriet har riktig temperatur, kan det lades igjen. Bare lad batteriet i omgivelsestemperaturer mellom 5 °C (41 °F) og 40 °C (104 °F). Laderen må holdes unna sollys. Hvis problemet vedvarer, må du ta kontakt med forhandleren.
Batterifeilindikatoren tennes.	Batteriet har en kritisk feil.	Ta kontakt med Husqvarna-serviceforhandleren din.

## Transport, oppbevaring og avhending

### Transport og oppbevaring

- De medfølgende litiumionbatteriene samsvarer med kravene i loven om farlige varer.
- Følg de spesifikke kravene på emballasje og etiketter for kommersiell transport, inkludert de fra tredjeparter og fraktleverandører.
- Snakk med en person med spesiell opplæring i farlige materialer før du sender produktet. Følg alle gjeldende nasjonale forskrifter.
- Bruk tape på kontaktene når du plasserer batteriet i en pakke. Pakk batteriet stramt for å unngå skade og uhell.
- Batteriet må ikke oppbevares på steder der det kan forekomme statisk elektrisitet. Ikke oppbevar batteriet i en metallkasse.
- Plasser batteriet på et tørt, frostfritt og rent sted med riktig temperatur.
- Bruk og oppbevar batteriet bare i det anbefalte temperaturområdet. Se *Anbefalt temperaturområde på side 142*.
- Lad opp batteriet til 30–50 % før du setter det til oppbevaring i lange perioder.

- Rengjør batteriet før du setter det til oppbevaring.

### Kassering

Symbolet indikerer at produktet ikke er husholdningsavfall. Lever produktet til gjenvinning ved hjelp av det lokale innsamlingsystemet for elektrisk og elektronisk utstyr. Dette bidrar til riktig avfallshåndtering ved slutten av levetiden. Kontakt lokale myndigheter, tjenester for husholdningsavfall, forhandleren eller utsalgsstedet for informasjon. Feil avhending kan ha en potensiell negativ effekt på miljøet og menneskers helse på grunn av farlige stoffer.



**Merk:** Symbolet vises på produktet eller produktets emballasje.

## Tekniske data

### Registrerte varemerker

Bluetooth®-ordmerket og -logoene er registrerte varemerker for Bluetooth SIG, inc., og bruk av slike merker fra Husqvarna skjer under lisens.

### Tekniske data

Frekvensbånd, MHz	2400–2483,5
Maks. overført effekt, dBm	4

For andre tekniske data kan du se typeskiltet på batteriet.

### Anbefalt temperaturområde



**OBS:** Stor belastning når batteritemperaturen er lavere enn 0 °C (32 °F), kan føre til midlertidig batterifeil.



**OBS:** Bruk og oppbevar batteriet bare i det anbefalte temperaturområdet. Hvis temperaturen ikke er innenfor dette området, fungerer ikke batteriet som det skal.



**OBS:** Batteriet lades bare hvis temperaturen er innenfor det anbefalte temperaturområdet.

Brukstemperatur	Ladetemperatur	Oppbevarings-temperatur
-10–40 °C / 14–104 °F	5–40 °C / 41–104 °F	5–25 °C / 41–77 °F

## Godkjente batteriladere

Tabell

Batterilader	QC330	QC500	40-C500X	40-C750X	40-C1000X4
Utspenning, V	36	36	36	36	36
Inngangsspenning, V	100–240	100–240	100–240	100–240	100–240
Frekvens, Hz	50–60	50–60	50–60	50–60	50–60
Effekt, W	330	500	500	750	1000 <sup>96</sup>

Tabell

Batterilader	40-C500X	40-C750X
Utspenning, V	36	36
Inngangsspenning, V	100–240	100–240
Frekvens, Hz	50–60	50–60
Effekt, W	500	750

## samsvarserklæring

### Samsvarserklæring

Vi, Husqvarna AB, SE-561 82 Huskvarna, SVERIGE, tlf.: +46 36 146500, erklærer på eget ansvar at produktet:

Beskrivelse	Oppladbart li-ion-batteri
Merke	Husqvarna®
Type/modell	40-B140X, 40-B220X, 40-B330X, 40-B360X, 40-B540X
ID	Serienumre datert 2026 og senere

er i samsvar med følgende EU-direktiver og -forskrifter med endringer:

Direktiv/regulering	Beskrivelse
2014/30/EU	«om elektromagnetisk kompatibilitet»
2014/53/EU <sup>97</sup>	«angående radioutstyr»
(EU) 2023/1542	«angående batterier og brukte batterier»

og at følgende standarder og/eller tekniske spesifikasjoner er anvendt:

EN IEC 62133-2:2017+A1:2021

EN IEC 62133-2:2017<sup>98</sup>

IEC 63370:2022

EN 61000-6-1:2007/EN IEC 61000-6-1:2019,  
EN 61000-6-3:2007+A1:2011+AC:2012, EN IEC  
61000-6-3:2021<sup>99</sup>

ETSI EN 301 489-1 v.1.9.2, ETSI EN 301 489-17  
v.3.2.4, ETSI 300 328 v.2.2.2<sup>100</sup>

EN IEC 63000:2018

Andre tester som gjelder transport av farlig gods;

UN 38.3 Edition 7

Husqvarna, 10. april 2026



Lars Roos

FoU-direktør, Battery Competence Center

Husqvarna AB, SVERIGE

Ansvarlig for teknisk dokumentasjon



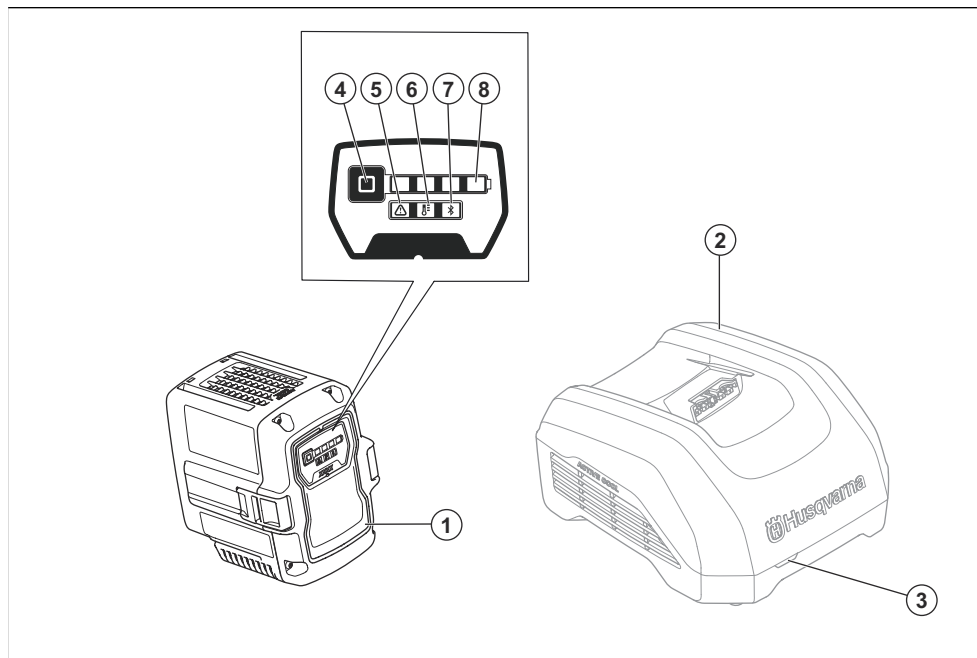
<sup>97</sup> Gjelder for versjoner med Bluetooth®-kommunikasjon.

<sup>98</sup> Gjelder bare for 40-B220X.

<sup>99</sup> EMC-testing utføres også på forskjellige produkter som bruker batteriet.

<sup>100</sup> Gjelder for versjoner med Bluetooth®-kommunikasjon.

## Przegląd produktu



1. Akumulator
2. Ładowarka akumulatora (akcesorium)
3. Ładowanie i wskaźnik błędu
4. Przycisk poziomu naładowania
5. Wskaźnik błędu
6. Wskaźnik temperatury akumulatora
7. Wskaźnik Bluetooth® (jeśli dotyczy)
8. Wskaźnik poziomu naładowania

należy ze zrozumieniem zapoznać się ze wszystkimi instrukcjami.

### Symbole znajdujące się na produkcie



Należy zachować ostrożność i prawidłowo korzystać z produktu. Produkt może spowodować poważne obrażenia ciała lub śmierć operatora lub innych osób.



Należy uważnie przeczytać instrukcję obsługi akumulatora, zatwierdzonej ładowarki oraz produktu przewodowego, w którym stosowany jest ten akumulator. Instrukcje można znaleźć na stronie [www.husqvarna.com/support](http://www.husqvarna.com/support). Wyszukaj nazwę modelu. Przed rozpoczęciem korzystania z produktu



Niebezpieczne napięcie.



Można używać w deszczu.



Produkt jest zabezpieczony przed rozbryzganiami wody.



Produkt jest zgodny z odpowiednimi dyrektywami i przepisami UE.



Należy poddać produkt recyklingowi we właściwym punkcie zbiórki sprzętu elektrycznego i elektronicznego.



Tego produktu ani opakowania nie można traktować jak odpadów domowych.



Nie zanurzać akumulatora w wodzie.



Jeśli urządzenie wyposażono w technologię bezprzewodową *Bluetooth®*. Symbol *Bluetooth®* zostanie umieszczony na etykiecie z nazwą produktu. Patrz *Technologia bezprzewodowa Bluetooth®* na stronie 148.

**Uwaga:** Pozostałe symbole/naklejki samoprzylepne umieszczone na produkcie dotyczą wymogów związanych z certyfikatami w niektórych obszarach komercyjnych.

## Opis produktu

Husqvarna 40-B140X, 40-B220X, 40-B330X, 40-B360X, 40-B540X to przenośny akumulator litowo-jonowy 36 V do narzędzi akumulatorowych Husqvarna.

W ramach procesu ciągłego rozwoju produktów Husqvarna zastrzega sobie prawo do wprowadzania zmian w konstrukcji i/lub wyglądzie produktów bez uprzedniego powiadomienia.

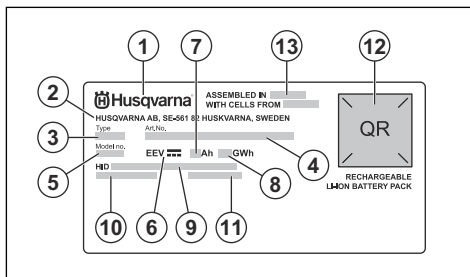
## Przeznaczenie

Akumulatory te są przeznaczone do narzędzi akumulatorowych Husqvarna. Należy zapoznać się z instrukcją obsługi narzędzia elektrycznego, by upewnić

się, że akumulator jest zatwierdzony do użytku z narzędziem.

**Uwaga:** Użytkowanie mogą regulować przepisy państwowe lub lokalne. Przestrzegać obowiązujących przepisów. Akumulatory te są przeznaczone do użytku z zatwierdzonymi ładowarkami. Patrz *Zatwierdzone ładowarki* na stronie 150.

## Tabliczka znamionowa



1. Marka
2. Adres producenta
3. Typ
4. Numer produktu
5. Numer modelu
6. Napięcie
7. Amperogodziny
8. Watogodziny
9. Identyfikator Husqvarna (HID)
10. Typ ogniwa akumulatora
11. Numer seryjny z datą produkcji
12. Kod do przeskanowania
13. Kraj montażu

## Bezpieczeństwo

### Definicje dotyczące bezpieczeństwa

Ostrzeżenia, uwagi i informacje są używane do zwrócenia uwagi na szczególnie ważne sekcje instrukcji obsługi.



**OSTRZEŻENIE:** Stosują się, gdy istnieje ryzyko poważnych obrażeń lub śmierci operatora albo osób postronnych w wyniku nieprzestrzegania instrukcji obsługi.



**UWAGA:** Jest używane, gdy istnieje ryzyko uszkodzenia materiałów lub urządzenia w wyniku nieprzestrzegania instrukcji obsługi.

**Uwaga:** Stosują się, aby przekazać więcej informacji, które są przydatne w danej sytuacji.

### Ważne zalecenia dotyczące bezpieczeństwa



**OSTRZEŻENIE:** Należy dokładnie przeczytać wszystkie ostrzeżenia i instrukcje. Niezastosowanie się do ostrzeżeń i instrukcji może spowodować porażenie prądem, pożar i/lub poważne obrażenia.

**Uwaga:** Należy stosować się do wszystkich ostrzeżeń i poleceń.

- Do ładowania oryginalnych akumulatorów Husqvarna należy używać wyłącznie zatwierdzonych ładowarek Husqvarna. Akumulatory są zabezpieczone sztywnym programowym.
- Jako źródła zasilania do powiązanych produktów Husqvarna należy używać tylko zatwierdzonych akumulatorów Husqvarna. Aby uniknąć obrażeń, nie należy używać akumulatora jako źródła zasilania innych produktów.
- Nie należy podejmować prób rozmontowania lub naprawy akumulatora. Wszystkie naprawy muszą być wykonywane wyłącznie przez zaaprobowanego dealera.
- Chronić akumulator przed bezpośrednim działaniem promieni słonecznych, wysoką temperaturą i otwartym płomieniem. Akumulator może spowodować oparzenia i/lub oparzenia chemiczne.
- Nie należy używać uszkodzonego akumulatora ani uszkodzonej ładowarki.
- Akumulator należy chronić przed uszkodzeniami mechanicznymi.
- Przechowywać akumulator z dala od dzieci.
- Akumulator powinien być czysty i suchy.
- W przypadku zabrudzenia styków akumulatorów wyczyścić je czystą, suchą szmatką.
- Po pełnym naładowaniu akumulatora nie należy przechowywać go w ładowarce.
- Należy wyjąć akumulator z produktu na czas jego transportu i w czasie, gdy nie jest on używany.
- Przechowywać akumulatory z dala od metalowych przedmiotów, takich jak gwoździe, śruby czy biżuteria.

---

## Działanie

---

### Działanie

- Akumulator należy użytkować i przechowywać wyłącznie w zalecanym zakresie temperatur. Patrz *Zalecany zakres temperatur na stronie 150*.
- Przed użyciem nacisnąć przycisk stanu naładowania akumulatora, by uruchomić akumulator.
- Przed pierwszym użyciem akumulator należy naładować. Należy zawsze używać ładowarki zatwierdzonej przez Husqvarna. Patrz *Zatwierdzone ładowarki na stronie 150*.
- Jeśli wskaźnik temperatury akumulatora miga, należy zmniejszyć obciążenie i/lub prędkość.
- Aby uzyskać informacje o stanie naładowania akumulatora, należy nacisnąć przycisk stanu naładowania akumulatora.

### Husqvarna Connect

Husqvarna Connect to darmowa aplikacja na urządzenia mobilne. Aplikacja Husqvarna Connect zapewnia dodatkowe funkcje dla produktu Husqvarna.

- Szczegółowe informacje dotyczące produktu.
- Informacje dotyczące produktu oraz pomoc w wyborze części i konserwacji.

Aby uzyskać więcej informacji na temat Husqvarna Connect, patrz [www.husqvarna.com](http://www.husqvarna.com).

**Uwaga:** Aplikacja Husqvarna Connect nie jest dostępna do pobrania na wszystkich rynkach. Dodatkowe informacje można uzyskać w centrum serwisowym.

### Rozpoczęcie użytkowania Husqvarna Connect

1. Pobrać aplikację Husqvarna Connect na urządzeniu przenośnym.
2. Łączenie w aplikacji Husqvarna Connect.

3. Wykonać instrukcje wyświetlane w aplikacji Husqvarna Connect, aby dodać produkt.

**Uwaga:** Aplikacja Husqvarna Connect nie jest dostępna do pobrania na wszystkich rynkach. Dodatkowe informacje można uzyskać w punkcie serwisowym.

### Husqvarna Fleet Services™

Husqvarna Fleet Services™ to rozwiązanie chmurowe, które zapewnia kierownikom floty handlowej przegląd wszystkich produktów. Husqvarna Fleet Services™ jest dostępne w formie usługi internetowej i aplikacji. Aby uzyskać więcej informacji na temat Husqvarna Fleet Services™, patrz [www.husqvarna.com](http://www.husqvarna.com).

**Uwaga:** Rozwiązanie chmurowe Husqvarna Fleet Services™ jest dostępne na wybranych rynkach.

### Łączenie się z produktem za pośrednictwem aplikacji Husqvarna Fleet Services™

1. Zainstalować aplikację Husqvarna Fleet Services™ w urządzeniu mobilnym.
2. Zalogować się do aplikacji Husqvarna Fleet Services™.
3. Postępować zgodnie z instrukcjami, aby sparować urządzenie z aplikacją Husqvarna Fleet Services™.

## Technologia bezprzewodowa Bluetooth®

Produkty z wbudowaną technologią bezprzewodową Bluetooth® mogą łączyć się z urządzeniem mobilnym.

Symbol bezprzewodowej technologii *Bluetooth®* pojawia się po podłączeniu urządzenia mobilnego do produktu.



**Uwaga:** Urządzenie to zostało poddane ocenie pod kątem zgodności z obowiązującymi wymogami dotyczącymi narażenia na promieniowanie o częstotliwości radiowej (RF). Urządzenie można bez ograniczeń używać w warunkach pracy mobilnej.

## Bezprzewodowa aktualizacja oprogramowania sprzętowego (w przypadku akumulatorów z wbudowanym Bluetooth®)

Akumulatory z Bluetooth® automatycznie pobierają i instalują nowe oprogramowanie sprzętowe.

- Pobieranie rozpoczyna się, gdy dostępne jest nowe oprogramowanie sprzętowe, a akumulator jest podłączony do Husqvarna Connect lub Husqvarna Fleet Services™.
- Wskaźnik Bluetooth® pokazuje, kiedy akumulator jest podłączony, a wyświetlacz akumulatora jest aktywny.
- Pobieranie oprogramowania sprzętowego trwa 10–15 minut. Jeśli pobieranie zostanie zatrzymane lub nie powiedzie się, akumulator spróbuje ponownie pobrać oprogramowanie sprzętowe.
- Instalacja oprogramowania sprzętowego rozpoczyna się po zakończeniu pobierania, gdy akumulator nie jest używany ani ładowany.
- Wskaźniki stanu naładowania pulsują podczas instalacji oprogramowania sprzętowego. Instalacja oprogramowania sprzętowego trwa 10–15 sekund.

## Ładowanie akumulatora

Naładować akumulator przed pierwszym użyciem. Nowy akumulator jest naładowany do poziomu 30%. Aby uzyskać informacje o stanie naładowania akumulatora, należy nacisnąć przycisk stanu naładowania akumulatora. Akumulator należy użytkować i przechowywać wyłącznie w zalecanych zakresie temperatur. Patrz *Zalecany zakres temperatur na stronie 150*.

1. Włożyć akumulator do ładowarki. Włączenie się wskaźnika ładowania na ładowarce sygnalizuje, że akumulator podłączono do ładowarki w prawidłowy sposób.
2. Kiedy akumulator jest całkowicie naładowany, włączają się na nim wszystkie wskaźniki stanu naładowania.
3. Akumulator należy wyjąć z ładowarki.

## Stan ładowania akumulatora

Akumulator litowo-jonowy Husqvarna można ładować i używać przy różnych poziomach naładowania.

Wskaźniki poziomu naładowania	Stan akumulatora (stan naładowania)
4 wskaźniki są włączone	Poziom naładowania akumulatora wynosi 76–100%.
3 wskaźniki są włączone	Poziom naładowania akumulatora wynosi 51–75%.
2 wskaźniki są włączone	Poziom naładowania akumulatora wynosi 26–50%.
1 wskaźnik jest włączony	Poziom naładowania akumulatora wynosi 11–25%.
1 wskaźnik miga	Poziom naładowania akumulatora wynosi 0–10%.

## Rozwiązywanie problemów

### Rozwiązywanie problemów

Objawy	Przyczyna	Postępowanie
Jeden wskaźnik stanu naładowania miga. W przypadku produktów z niektórymi wersjami oprogramowania sprzętowego miga również wskaźnik błędu akumulatora.	Akumulator rozładowany.	Naładować akumulator.

Objawy	Przyczyna	Postępowanie
Miga wskaźnik błędu akumulatora.	Duże obciążenie w połączeniu z bardzo niską temperaturą akumulatora.	Rozgrzać akumulator. Można np. przenieść akumulator do pomieszczenia lub pracować z małą prędkością, aż się rozgrzeje.
	Akumulator nie działa. Zakres roboczy akumulatora osiągnął swój limit.	Wyjąć akumulator z urządzenia. Odczekać 5 minut. Nacisnąć przycisk poziomu naładowania.
Wskaźnik temperatury akumulatora jest włączony.	Akumulator jest za zimny lub za gorący, aby można było go używać.	Akumulator można użytkować w temperaturze otoczenia od -10°C (14°F) do 40°C (104°F). Gdy akumulator odzyska właściwą temperaturę, będzie mógł być ponownie używany.
Miga wskaźnik temperatury akumulatora.	Temperatura akumulatora zbliża się do wartości granicznej.	Zmniejszyć prędkość i/lub obciążenie. Optymalną wydajność można uzyskać, utrzymując preferowany zakres temperatury akumulatora od +10°C (50°F) do +30°C (86°F).
Wskaźnik temperatury akumulatora jest włączony, gdy akumulator znajduje się w ładowarce.	Nieprawidłowa temperatura – akumulator jest za zimny lub za gorący, aby można było go ładować.	Należy poczekać aż akumulator ostygnie, lub umieścić w pomieszczeniu celem jego ogrzania. Gdy akumulator odzyska właściwą temperaturę, będzie mógł być ponownie ładowany. Ładowarki należy używać jedynie w zakresie temperatur otoczenia wynoszącym od 5°C (41°F) do 40°C (104°F). Nie należy wystawiać ładowarki na działanie promieni słonecznych. Jeśli problem nie ustępuje, należy skontaktować się z dilerem.
Wskaźnik błędu akumulatora włącza się.	Wystąpił błąd krytyczny akumulatora.	Zwrócić się do punktu serwisowego Husqvarna.

## Transport, przechowywanie i utylizacja

### Transport i przechowywanie

- Dołączone akumulatory litowo-jonowe są zgodne z przepisami dotyczącymi towarów niebezpiecznych.
- Należy przestrzegać specjalnych zaleceń podanych na opakowaniu i etykietach dotyczących komercyjnych usług transportowych, także tych świadczonych przez inne firmy oraz spedytorów.
- Przed wysłaniem produktu należy porozmawiać z osobą przeszkoloną w zakresie materiałów niebezpiecznych. Przestrzegać wszystkich przepisów krajowych, które mają zastosowanie.
- Podczas umieszczania akumulatora w opakowaniu zabezpieczyć styki taśmą. Zapakować akumulator tak, aby ściśle przylegał do opakowania; pozwoli to zapobiec jego uszkodzeniu oraz innym niepożądanym zdarzeniom.
- Nie przechowywać akumulatora w miejscu, gdzie może występować prąd statyczny. Nie przechowywać akumulatora w metalowym pojemniku.
- Umieścić akumulator w suchym, nienarażonym na mróz i czystym miejscu, w którym panuje odpowiednia temperatura.
- Akumulator należy użytkować i przechowywać wyłącznie w zalecanym zakresie temperatur. Patrz *Zalecany zakres temperatur na stronie 150*.
- Naładować akumulator od 30% do 50% przed dłuższym okresem jego przechowywania.
- Przed dłuższym okresem przechowywania akumulator należy wyczyścić.

### Utylizacja

Symbol ten oznacza, że produkt nie stanowi odpadu gospodarczego. Należy poddać go recyklingowi

za pośrednictwem lokalnego systemu zbiórki sprzętu elektrycznego i elektronicznego. Pozwala to na prawidłowe zarządzanie urządzeniem, które osiągnęło koniec okresu eksploatacji. W celu uzyskania informacji należy skontaktować się z lokalnymi władzami, służbami zajmującymi się odpadami komunalnymi, dilerem lub sprzedawcą Husqvarna. Nieprawidłowa utylizacja może mieć negatywny wpływ na środowisko i zdrowie ludzi ze względu na potencjalną obecność substancji niebezpiecznych.



**Uwaga:** symbol widoczny jest na urządzeniu lub opakowaniu produktu.

## Dane techniczne

### Zarejestrowane znaki handlowe

Nazwa handlowa *Bluetooth®* i logo są zastrzeżonymi znakami towarowymi stanowiącymi własność *Bluetooth SIG, inc.*. Każde wykorzystanie takich znaków przez Husqvarna odbywa się w ramach umowy licencyjnej.

### Dane techniczne

Pasma częstotliwości, GHz	2400–2483,5
Maksymalna moc przesyłu, dBm	4

Pozostałe dane techniczne znajdują się na tabliczce znamionowej akumulatora.

### Zalecany zakres temperatur



**UWAGA:** Duże obciążenie przy temperaturze akumulatora poniżej 0°C

### Zatwierdzone ładowarki

Tabela

Ładowarka	QC330	QC500	40-C500X	40-C750X	40-C1000X4
Napięcie wyjściowe, V	36	36	36	36	36
Napięcie wejściowe, V	100–240	100–240	100–240	100–240	100–240
Częstotliwość, Hz	50–60	50–60	50–60	50–60	50–60
Moc, W	330	500	500	750	1000 <sup>101</sup>

(32°F) może spowodować tymczasową awarię akumulatora.



**UWAGA:** Akumulator należy użytkować i przechowywać wyłącznie w zalecanym zakresie temperatur. Jeśli temperatura nie mieści się w tym zakresie, akumulator nie będzie działał prawidłowo.



**UWAGA:** Akumulator nie ładuje się, jeśli jego temperatura nie mieści się w zalecanym zakresie temperatur.

Temperatura użytkowania	Temperatura ładowania	Temperatura przechowywania
-10–40 °C / 14–104 °F	5–40 °C / 41–104 °F.	5–25 °C / 41–77 °F.

<sup>101</sup>

Maksymalna moc podczas ładowania tylko jednego akumulatora wynosi 600 W.

## Tabela

Ładowarka	40-C500X	40-C750X
Napięcie wyjściowe, V	36	36
Napięcie wejściowe, V	100–240	100–240
Częstotliwość, Hz	50–60	50–60
Moc, W	500	750

## Deklaracja zgodności

### Deklaracja zgodności

My, firma Husqvarna AB, SE-561 82 Huskvarna, SZWECJA, tel.: +46 36 146500, deklarujemy z pełną odpowiedzialnością, że produkt:

Opis	Akumulator litowo-jonowy
Marka	Husqvarna®
Typ/model	40-B140X, 40-B220X, 40-B330X, 40-B360X, 40-B540X
Identyfikacja	Numery seryjne z roku 2026 i nowsze

są zgodne z następującymi dyrektywami i przepisami UE z późniejszymi zmianami:

Dyrektywa/przepis	Opis
2014/30/UE	„w sprawie kompatybilności elektromagnetycznej”
2014/53/UE <sup>102</sup>	„dotycząca sprzętu radiowego”
(UE) 2023/1542	„dotyczący baterii i zużytych baterii”

oraz został zaprojektowany zgodnie z następującymi normami i specyfikacjami technicznymi;

EN IEC 62133-2:2017+A1:2021

EN IEC 62133-2:2017<sup>103</sup>

IEC 63370:2022

EN 61000-6-1:2007/EN IEC 61000-6-1:2019,

EN 61000-6-3:2007+A1:2011+AC:2012, EN IEC 61000-6-3:2021<sup>104</sup>

ETSI EN 301 489-1 v.1.9.2, ETSI EN 301 489-17 v.3.2.4, ETSI 300 328 v.2.2.2<sup>105</sup>

EN IEC 63000:2018

Inne badania związane z transportem towarów niebezpiecznych;

UN 38.3 wydanie 7

Huskvarna, 10.04.2026 r.

<sup>102</sup> Dotyczy wersji, które obejmują komunikację Bluetooth®

<sup>103</sup> Dotyczy tylko 40-B220X.

<sup>104</sup> Przeprowadzono również badania kompatybilności elektromagnetycznej (EMC) różnych produktów wykorzystujących ten akumulator.

<sup>105</sup> Dotyczy wersji, które obejmują komunikację Bluetooth®.

Lars Roos

Dyrektor ds. badań i rozwoju, Centrum kompetencji ds.  
akumulatorów

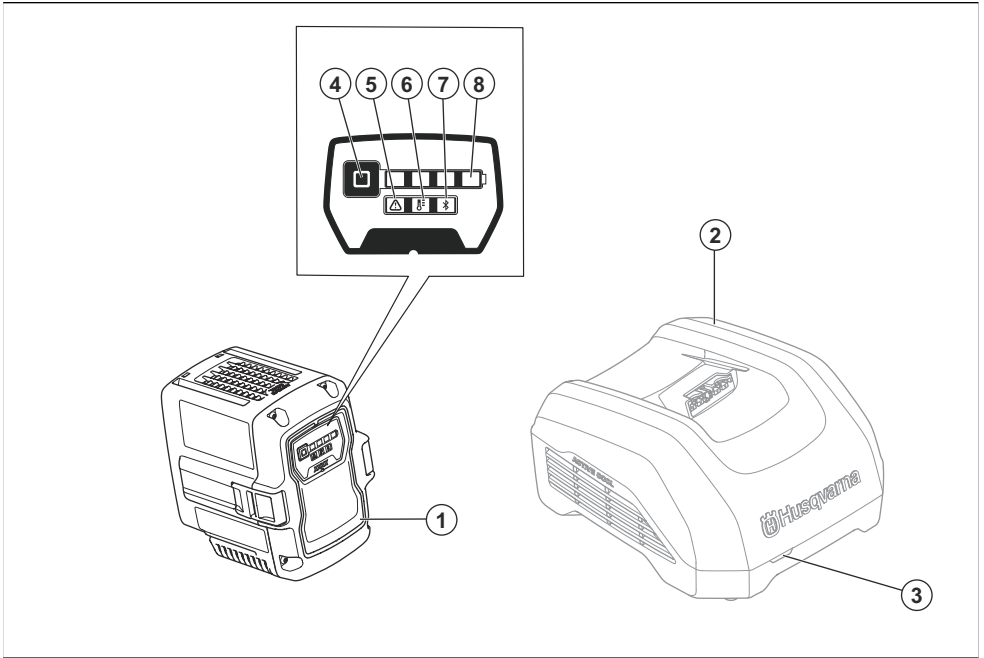
Husqvarna AB, SZWECJA

Osoba odpowiedzialna za dokumentację techniczną



# Introdução

## Vista geral do produto



1. Bateria
2. Carregador de bateria (acessório)
3. Indicador de carregamento e de erro
4. Botão do estado de carga
5. Indicador de erro
6. Indicador de temperatura da bateria
7. Indicador Bluetooth® (se aplicável)
8. Indicador do estado de carga

## Símbolos no produto



tenha cuidado e utilize o produto corretamente. Este produto pode provocar ferimentos graves ou a morte do utilizador ou terceiros.



Leia cuidadosamente o manual do utilizador da bateria, do carregador aprovado e do produto sem fios que utiliza esta bateria. Pode encontrar os manuais em [www.husqvarna.com/support](http://www.husqvarna.com/support). Procure pelo nome do modelo. Certifique-se de que compreende todas as instruções antes de utilizar o produto.



Tensão perigosa.



Adequado para utilizar à chuva.



Protegido contra salpicos de água.



O produto está em conformidade com as diretivas e regulamentos aplicáveis da CE.



Recicle o produto numa localização de eliminação aplicável para equipamentos elétricos e eletrónicos.



O produto ou a respetiva embalagem não são resíduos domésticos.



Não deixe que a bateria fique submersa em água.



Se o produto estiver equipado com tecnologia *Bluetooth®* sem fios: O símbolo de *Bluetooth®* estará marcado na etiqueta do nome do produto. Consulte *Tecnologia sem fios Bluetooth®* na página 155.

**Nota:** Os restantes símbolos/autocolantes existentes no produto dizem respeito a requisitos para homologação em algumas áreas comerciais.

## Descrição do produto

A Husqvarna 40-B140X, 40-B220X, 40-B330X, 40-B360X, 40-B540X é uma bateria portátil recarregável de íões de lítio de 36 V para ferramentas Husqvarna a bateria.

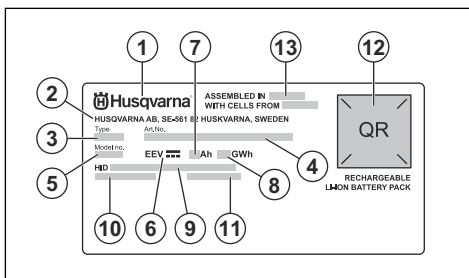
No âmbito do nosso processo contínuo de desenvolvimento de produtos, a Husqvarna reserva-se o direito de modificar o design e/ou o aspeto dos mesmos sem aviso prévio.

## Finalidade

Estas baterias destinam-se a ferramentas Husqvarna a bateria. Leia o manual da ferramenta elétrica para garantir que a bateria é compatível com a ferramenta.

**Nota:** A utilização pode estar sujeita a regulamentos nacionais ou locais. Respeite os regulamentos aplicáveis. Estas baterias devem ser utilizadas com carregadores de bateria aprovados. Consulte *Carregadores de bateria aprovados na página 158*.

## Etiqueta de tipo



1. Marca
2. Endereço do fabricante
3. Tipo
4. Número do artigo
5. Número do modelo
6. Tensão
7. Amperes-horas
8. Watt-horas
9. Identificação Husqvarna (HID)
10. Tipo de célula de bateria
11. Número de série com data de fabrico
12. Código para leitura
13. País de montagem

## Segurança

### Definições de segurança

Os avisos, as precauções e as notas são utilizados para indicar partes especialmente importantes do manual.



**ATENÇÃO:** utilizado no caso de existir risco de ferimento ou morte para o utilizador ou transeuntes, se não forem respeitadas as instruções do manual.



**CUIDADO:** utilizado se existir risco de danos para o produto, para outros materiais ou para a área adjacente, se não forem respeitadas as instruções do manual.

**Nota:** utilizado para disponibilizar informações adicionais necessárias numa determinada situação.

### Instruções de segurança importantes



**ATENÇÃO:** Leia todos os avisos de segurança e todas as instruções. O incumprimento dos avisos e das instruções poderá resultar em choques elétricos, incêndios e/ou ferimentos graves.

**Nota:** guarde todas as instruções e avisos.

- Utilize apenas carregadores de bateria aprovados da Husqvarna para carregar baterias Husqvarna originais. As baterias contêm software encriptado.
- Utilize baterias Husqvarna aprovadas que sejam recarregáveis como fonte de alimentação apenas para os produtos Husqvarna relacionados. Para evitar ferimentos, não utilize a bateria como fonte de alimentação para outros produtos.

- Não tente desmontar ou reparar a bateria. Todas as reparações devem ser efetuadas apenas por um distribuidor aprovado.
- Mantenha a bateria afastada do sol, calor ou de chamas abertas. A bateria pode causar queimaduras e/ou queimaduras químicas.
- Não utilize uma bateria ou um carregador de bateria danificados.
- Não provoque um choque mecânico na bateria.
- Mantenha as baterias afastadas de crianças.
- Mantenha a bateria limpa e seca.
- Limpe os terminais da bateria com um pano seco e limpo caso se sujem.
- Não mantenha a bateria no respetivo carregador quando esta estiver totalmente carregada.
- Remova a bateria do produto quando não estiver em utilização e durante o transporte.
- Mantenha as baterias armazenadas afastadas de objetos metálicos como, por exemplo, pregos, parafusos ou joias.

---

## Funcionamento

---

### Funcionamento

- Utilize e armazene a bateria apenas dentro do intervalo de temperatura recomendado. Consulte *Intervalo de temperatura recomendado na página 158*.
- Prima o botão de estado de carga para ligar a bateria antes da utilização.
- A bateria tem de ser carregada antes da primeira utilização. Utilize sempre um carregador de bateria Husqvarna aprovado. Consulte *Carregadores de bateria aprovados na página 158*.
- Reduza a carga de trabalho e/ou a velocidade quando o indicador de temperatura da bateria estiver intermitente.
- Prima o botão de estado de carga para obter informações sobre o estado de carga da bateria.

### Husqvarna Connect

A Husqvarna Connect é uma aplicação gratuita para o seu dispositivo móvel. A aplicação Husqvarna Connect disponibiliza funções alargadas para o seu produto Husqvarna.

- Informações alargadas sobre o produto.
- Informações sobre, e ajuda relacionada com peças e manutenção do produto.

Para obter mais informações sobre o Husqvarna Connect, consulte [www.husqvarna.com](http://www.husqvarna.com).

**Nota:** A aplicação Husqvarna Connect não está disponível para transferência em todos os mercados. Para mais informações, contacte o distribuidor com assistência técnica.

### Começar a utilizar o Husqvarna Connect

1. Transfira a aplicação Husqvarna Connect para o seu dispositivo móvel.
2. Registe-se na aplicação Husqvarna Connect.
3. Siga os passos das instruções na aplicação Husqvarna Connect para adicionar o produto.

**Nota:** A aplicação Husqvarna Connect não está disponível para transferência em todos os

mercados. Para mais informações, contacte o distribuidor com assistência técnica.

### Husqvarna Fleet Services™

O Husqvarna Fleet Services™ é uma solução em nuvem que disponibiliza ao gestor de frotas comerciais uma visão geral de todos os produtos. O Husqvarna Fleet Services™ está disponível como um serviço web e como uma aplicação. Para obter mais informações sobre o Husqvarna Fleet Services™, consulte [www.husqvarna.com](http://www.husqvarna.com).

**Nota:** A solução em nuvem do Husqvarna Fleet Services™ não está disponível em todos os mercados.

### Ligar o produto ao Husqvarna Fleet Services™

1. Transfira a aplicação Husqvarna Fleet Services™ para o seu dispositivo móvel.
2. Inicie sessão na aplicação Husqvarna Fleet Services™.
3. Siga as instruções sobre como emparelhar o produto com o Husqvarna Fleet Services™.

### Tecnologia sem fios Bluetooth®

Os produtos com tecnologia sem fios Bluetooth® integrada podem estabelecer ligação a dispositivos móveis.

O símbolo da tecnologia sem fios *Bluetooth®* acende-se quando o dispositivo móvel é ligado ao produto.



**Nota:** Este dispositivo foi avaliado e está em conformidade com os requisitos aplicáveis relativos à exposição a frequência de rádio (RF). O dispositivo pode ser utilizado em condições de exposição portáteis sem restrições.

## Atualizar o firmware através de comunicação sem fios (para baterias com Bluetooth® incorporado)

As baterias com Bluetooth® efetuam automaticamente a transferência e a instalação do novo firmware.

- A transferência é iniciada quando o novo firmware se encontra disponível e a bateria está ligada a Husqvarna Connect ou Husqvarna Fleet Services™.
- O indicador Bluetooth® mostra quando a bateria está ligada enquanto o respetivo visor estiver ativo.
- A transferência do firmware demora 10 a 15 minutos. Se a transferência for interrompida ou falhar, a bateria tentará transferir novamente o firmware.
- A instalação do firmware é iniciada quando a transferência estiver concluída e a bateria não estiver a ser utilizada ou carregada.
- Os indicadores de estado de carga ficam intermitentes durante a instalação do firmware. A instalação do firmware demora 10 a 15 segundos.

### Carregar a bateria

Carregue a bateria antes da primeira utilização. Uma bateria nova encontra-se carregada a 30%. Prima o botão de estado de carga para obter informações sobre o estado de carga da bateria. Utilize e armazene a bateria apenas dentro do intervalo de temperatura recomendado. Consulte *Intervalo de temperatura recomendado na página 158*.

1. Coloque a bateria no carregador da bateria. Quando o indicador de carregamento do carregador da bateria se acende, a bateria está ligada corretamente ao respetivo carregador.
2. A bateria está totalmente carregada quando todos os indicadores de estado de carga da bateria estiverem acesos.
3. Remova a bateria do carregador de bateria.

### Estado de carregamento da bateria

Uma bateria de íões de lítio Husqvarna pode ser carregada ou utilizada em todos os níveis de carga.

Indicadores do estado de carga	Estado da bateria (estado de carga)
4 indicadores estão acesos	A bateria tem uma carga entre 76% e 100%.
3 indicadores estão acesos	A bateria tem uma carga entre 51% e 75%.
2 indicadores estão acesos	A bateria tem uma carga entre 26% e 50%.
1 indicador está aceso	A bateria tem uma carga entre 11% e 25%.
1 indicador está intermitente	A bateria tem uma carga entre 0% e 10%.

---

## Resolução de problemas

---

### Resolução de problemas

Sintomas	Causa	Ação
Um indicador de estado de carga fica intermitente. Em produtos com determinadas versões de firmware, o indicador de erro da bateria também fica intermitente.	A bateria está descarregada.	Carregue a bateria.
O indicador de erro da bateria fica intermitente.	Carga de trabalho pesada em combinação com uma temperatura da bateria muito baixa.	Aqueça a bateria. Por exemplo, desloque-a para um espaço interior ou utilize-a a baixa velocidade até que a bateria esteja quente.
	A bateria não funciona. O intervalo de funcionamento da bateria está no limite.	Remova a bateria do produto. Aguarde 5 minutos. Prima o botão do estado de carga.
O indicador de temperatura da bateria está aceso.	A bateria está demasiado fria ou demasiado quente para utilizar.	Carregue a bateria a uma temperatura ambiente entre -10 °C (14 °F) e 40 °C (104 °F). Quando a bateria estiver na temperatura correta, esta pode ser utilizada novamente.

Sintomas	Causa	Ação
O indicador de temperatura da bateria está intermitente.	A bateria está próxima dos respetivos limites de temperatura.	Reduza a velocidade e/ou a carga de trabalho. Mantenha a bateria na temperatura preferencial entre +10 °C (50 °F) e +30 °C (86 °F) para um desempenho ideal.
O indicador de temperatura da bateria está aceso enquanto a bateria está no carregador.	Desvio de temperatura; a bateria encontra-se demasiado fria ou demasiado quente para carregar.	Deixe a bateria arrefecer ou desloque-a para um espaço interior para a aquecer. Quando a bateria estiver na temperatura correta, pode ser carregada novamente. Utilize o carregador apenas quando a temperatura ambiente se encontrar entre os 5 °C (41 °F) e os 40 °C (104 °F). Mantenha o carregador afastado da exposição à luz solar. Se o problema persistir, contacte o seu distribuidor.
O indicador de erro da bateria acende-se.	A bateria tem um erro crítico.	Contacte o seu distribuidor com assistência técnica da Husqvarna.

## Transporte, armazenamento e eliminação

### Transporte e armazenamento

- As baterias de íões de lítio fornecidas cumprem os requisitos da legislação sobre mercadorias perigosas.
- Cumpra o requisito especial sobre a embalagem e as etiquetas de transporte comercial, incluindo por terceiros e agentes transitários.
- Contacte uma pessoa com formação específica em material perigoso antes de enviar o produto. Cumpra todos os regulamentos nacionais aplicáveis.
- Utilize fita nos contactos quando colocar a bateria numa embalagem. Coloque a bateria na embalagem de forma fixa para impedir danos e acidentes.
- Não armazene a bateria numa área onde possa existir eletricidade estática. Não armazene a bateria numa caixa metálica.
- Coloque a bateria num local seco, sem gelo, limpo e com a temperatura adequada.
- Utilize e armazene a bateria apenas dentro do intervalo de temperatura recomendado. Consulte *Intervalo de temperatura recomendado na página 158*.
- Carregue a bateria entre 30% a 50% antes de a armazenar durante longos períodos de tempo.

- Limpe a bateria antes de a armazenar.

### Eliminação

O símbolo significa que o produto não é um resíduo doméstico. Recicle-o através do sistema de recolha local para equipamentos elétricos e eletrónicos. Isto contribui para uma gestão adequada dos resíduos no final da vida útil. Contacte as autoridades locais, os serviços de resíduos domésticos, o seu distribuidor ou revendedor para obter informações. A eliminação incorreta pode ter potenciais efeitos negativos no ambiente e na saúde humana, devido à potencial presença de substâncias perigosas.



**Nota:** O símbolo aparece no produto ou na embalagem do produto.

## Especificações técnicas

### Marcas comerciais registadas

A palavra e os logótipos *Bluetooth®* são marcas comerciais registadas propriedade da *Bluetooth SIG*,

*inc.* e qualquer utilização de tais marcas pela Husqvarna é feita mediante licença.

## Especificações técnicas

Bandas de frequência, MHz	2400–2483,5
Potência máxima transmitida, dBm	4

Para obter outras especificações técnicas, consulte a etiqueta de tipo da bateria.

## Intervalo de temperatura recomendado



**CUIDADO:** Uma carga de trabalho pesada quando a temperatura da bateria é

inferior a 0 °C (32 °F) pode provocar um erro temporário da bateria.



**CUIDADO:** Utilize e armazene a bateria apenas dentro do intervalo de temperatura recomendado. Se a temperatura não estiver dentro deste intervalo, a bateria não funcionará corretamente.



**CUIDADO:** A bateria não carrega se a respectiva temperatura não estiver dentro do intervalo recomendado.

Temperatura de utilização	Temperatura de carregamento	Temperatura de armazenamento
-10 a 40 °C/14 a 104 °F	5 a 40 °C/41 a 104 °F	5 a 25 °C/41 a 77 °F

## Carregadores de bateria aprovados

Tabela

Carregador de bateria	QC330	QC500	40-C500X	40-C750X	40-C1000X4
Tensão de saída, V	36	36	36	36	36
Tensão de entrada, V	100–240	100–240	100–240	100–240	100–240
Frequência, Hz	50–60	50–60	50–60	50–60	50–60
Potência, W	330	500	500	750	1000 <sup>106</sup>

Tabela

Carregador de bateria	40-C500X	40-C750X
Tensão de saída, V	36	36
Tensão de entrada, V	100–240	100–240
Frequência, Hz	50–60	50–60
Potência, W	500	750

<sup>106</sup>

A potência máxima durante o carregamento de apenas uma bateria é de 600 W.

# Declaração de conformidade

## Declaração de conformidade

A Husqvarna AB, SE-561 82 Huskvarna, SUÉCIA,  
tel.: +46 36 146500, declara, sob sua inteira  
responsabilidade, que o produto:

<b>Descrição</b>	Bateria de iões de lítio recarregável
<b>Marca</b>	Husqvarna®
<b>Tipo/Modelo</b>	40-B140X, 40-B220X, 40-B330X, 40-B360X, 40-B540X
<b>Identificação</b>	Os números de série referentes a 2026 e posteriores

está em conformidade com as seguintes diretivas e  
regulamentos da UE, com as respetivas alterações:

Diretiva/Regulamento	Descrição
2014/30/UE	"relativa à compatibilidade eletromagnética"
2014/53/UE <sup>107</sup>	"relativa ao equipamento de rádio"
(UE) 2023/1542	"relativo às baterias e respetivos resíduos"

e que as seguintes normas e/ou especificações técnicas  
são aplicadas;

EN IEC 62133-2:2017+A1:2021

EN IEC 62133-2:2017<sup>108</sup>

IEC 63370:2022

EN 61000-6-1:2007/EN IEC 61000-6-1:2019,  
EN 61000-6-3:2007+A1:2011+AC:2012, EN IEC  
61000-6-3:2021<sup>109</sup>

ETSI EN 301 489-1 v.1.9.2, ETSI EN 301 489-17  
v.3.2.4, ETSI 300 328 v.2.2.2<sup>110</sup>

EN IEC 63000:2018

Outros testes relacionados com o transporte de  
mercadorias perigosas;

UN 38.3, Edição 7

Huskvarna, 10-04-2026

Lars Roos

Diretor de I&D, Centro de competências em baterias

Husqvarna AB, SUÉCIA

Responsável pela documentação técnica



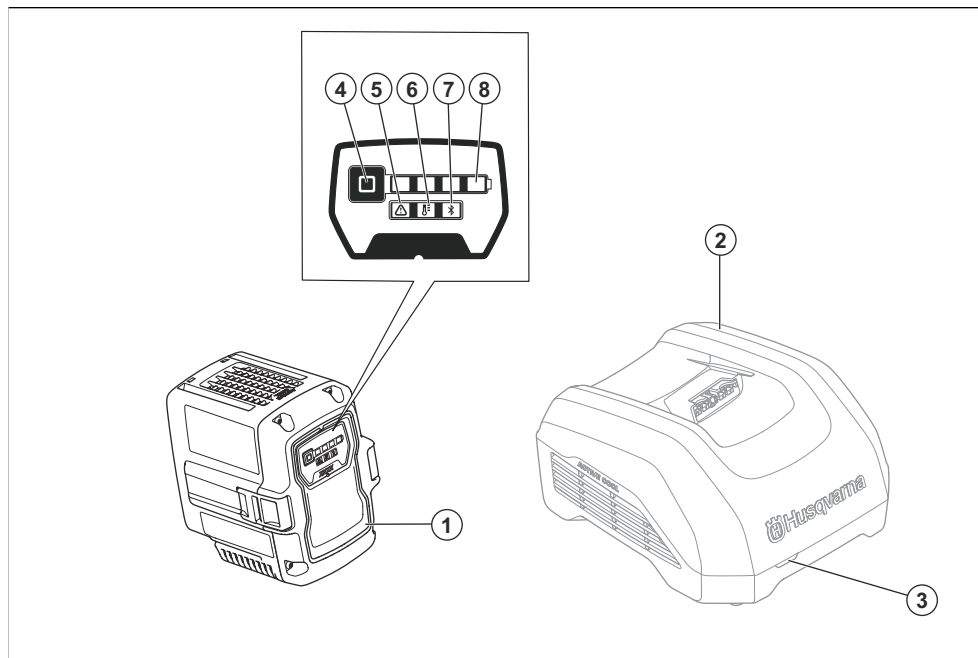
<sup>107</sup> Aplicável a versões que incluem comunicação Bluetooth®.

<sup>108</sup> Aplicável apenas ao modelo 40-B220X.

<sup>109</sup> Foram também realizados testes de compatibilidade eletromagnética (EMC) em vários produtos que utilizam a  
bateria.

<sup>110</sup> Aplicável a versões que incluem comunicação Bluetooth®.

## Prezentare generală a produsului



1. Baterie
2. Încărcător de baterie (acesoriu)
3. Încărcarea și indicatorul de eroare
4. Buton al stării de încărcare
5. Indicator de eroare
6. Indicator temperatură baterie
7. Indicatorul Bluetooth® (dacă există)
8. Indicator al stării de încărcare

## Simbolurile de pe produs



Aveți grijă să utilizați corect produsul. Acest produs poate cauza vătămări corporale grave sau decesul operatorului sau al altor persoane.



Citiți cu atenție manualul de utilizare pentru baterie, încărcătorul aprobat și produsul fără fir care utilizează această baterie. Puteți găsi manualele la [www.husqvarna.com/support](http://www.husqvarna.com/support). Căutați numele modelului. Asigurați-vă că înțelegeți toate instrucțiunile înainte de a utiliza produsul.



Tensiune periculoasă.



Poate fi utilizat în condiții de ploaie.



Protejat împotriva stropilor de apă.



Produsul respectă directivele și reglementările CE aplicabile.



Reciclați produsul la o unitate de eliminare aprobată pentru echipamente electrice și electronice.



Nici produsul și nici ambalajul său nu sunt deșeuri menajere.



Nu introduceți bateria în apă.



Dacă produsul dispune de tehnologie wireless *Bluetooth*<sup>®</sup>. Simbolul *Bluetooth*<sup>®</sup> va fi marcat pe eticheta cu numele produsului. Consultați *Tehnologie wireless Bluetooth*<sup>®</sup> la pagina 162.

**Nota:** Alte simboluri/autocolante de pe produs se referă la cerințele de certificare pentru unele zone comerciale.

## Descrierea produsului

Husqvarna 40-B140X, 40-B220X, 40-B330X, 40-B360X, 40-B540X este o baterie portabilă, reîncărcabilă Li-ion de 36 V pentru unelte Husqvarna alimentate cu baterie.

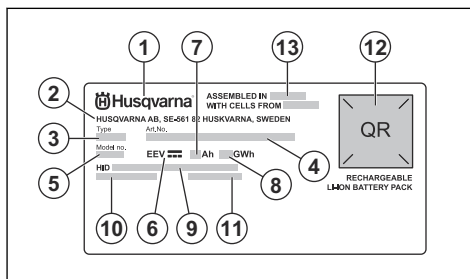
Ca parte a procesului nostru continuu de dezvoltare a produselor, Husqvarna își rezervă dreptul de a modifica designul și/sau aspectul produselor fără notificare prealabilă.

## Destinația produsului

Aceste baterii sunt destinate dispozitivelor Husqvarna alimentate cu baterii. Citiți manualul unelei electrice pentru a vă asigura că bateria este aprobată pentru uneltele electrice.

**Nota:** Utilizarea poate fi reglementată de norme naționale sau locale. Respectați reglementările aplicabile. Aceste baterii sunt destinate utilizării cu încărcătoare de baterii aprobate. Consultați *Încărcătoare de baterii omologate la pagina 165*.

## Plăcuță de identificare



1. Marcă
2. Adresa producătorului
3. Tip
4. Număr articol
5. Numărul modelului
6. Tensiune
7. Amperi-oră
8. Watt-oră
9. Identificator Husqvarna (HID)
10. Tip celulă baterie
11. Număr de serie cu data fabricației
12. Cod scanabil
13. Țara de asamblare

## Siguranță

### Definiții privind siguranța

Avertismentele, atenționările și notele sunt utilizate pentru a desemna părți foarte importante din manual.



**AVERTISMENT:** Se utilizează dacă există risc de vătămare sau de deces pentru operator sau pentru trecători, în cazul în care instrucțiunile din manual nu sunt respectate.



**ATENȚIE:** Se utilizează dacă există un risc de deteriorare a produsului, a altor materiale sau a zonelor învecinate, dacă instrucțiunile din manual nu sunt respectate.

**Nota:** Se utilizează pentru a furniza mai multe informații care sunt necesare într-o situație dată.

### Instrucțiuni de siguranță importante



**AVERTISMENT:** Citiți toate avertismentele privind siguranța și toate instrucțiunile. Nerespectarea avertismentelor și instrucțiunilor poate avea ca rezultat electrocutare, incendii și/sau vătămări corporale grave.

**Nota:** Păstrați toate avertismentele și instrucțiunile.

- Utilizați exclusiv încărcătoare de acumulatori Husqvarna, pentru a încărca acumulatori Husqvarna originali. Bateriile sunt criptate prin software.
- Utilizați numai acumulatori Husqvarna aprobați ca sursă de alimentare pentru produsele Husqvarna asociate. Pentru a evita rănirea, nu folosiți bateria ca sursă de alimentare pentru alte dispozitive.

- Nu încercați să dezasastrați sau să reparați bateria. Toate reparațiile trebuie efectuate numai de către un distribuitor autorizat.
- Feriți bateria de lumina solară, de căldură sau de flăcări deschise. Bateria poate provoca arsuri și/sau arsuri chimice.
- Nu utilizați un acumulator sau un încărcător deteriorat.
- Nu provocați un șoc mecanic bateriei.
- Nu lăsați bateria la îndemâna copiilor.

- Păstrați bateria curată și uscată.
- Dacă bornele bateriei se murdăresc, curățați-le cu o lavetă curată și uscată.
- Scoateți bateria din încărcătorul de baterii atunci când este complet încărcată.
- Scoateți bateria din produs atunci când nu îl utilizați și în timpul transportului.
- Depozitați bateriile la distanță de obiecte de metal, de exemplu cuie, șuruburi sau bijuterii.

---

## Funcționare

---

### Funcționare

- Utilizați și depozitați bateria numai în intervalul de temperatură recomandat. Consultați *Interval de temperatură recomandat la pagina 165*.
- Apăsăți butonul pentru starea de încărcare pentru a porni bateria înainte de utilizare.
- Bateria trebuie încărcată înainte să o utilizați prima dată. Folosiți întotdeauna un încărcător de acumulatori Husqvarna aprobat. Consultați *Încărcătoare de baterii omologate la pagina 165*.
- Reduceți sarcina și/sau viteza atunci când indicatorul de temperatură a bateriei se aprinde intermitent.
- Apăsăți butonul pentru starea de încărcare pentru a obține informații despre nivelul de încărcare al bateriei.

### Husqvarna Connect

Husqvarna Connect este o aplicație gratuită pentru dispozitivul dvs. mobil. Aplicația Husqvarna Connect vă oferă funcții extinse pentru produsul dvs. Husqvarna.

- Informații pe larg despre produs.
- Informații despre piese pentru produse și service și asistență pentru acestea.

Pentru mai multe informații despre Husqvarna Connect, consultați [www.husqvarna.com](http://www.husqvarna.com).

**Nota:** Aplicația Husqvarna Connect nu este disponibilă pentru descărcare pe toate piețele. Adresați-vă reprezentantului de service pentru informații suplimentare.

### Pentru a începe să utilizați Husqvarna Connect

1. Descărcați aplicația Husqvarna Connect pe dispozitivul dvs. mobil.
2. Înregistrați-vă în aplicația Husqvarna Connect.
3. Urmați pașii cu instrucțiuni din aplicația Husqvarna Connect pentru a adăuga produsul.

**Nota:** Aplicația Husqvarna Connect nu este disponibilă pentru descărcare pe toate piețele. Adresați-vă reprezentantului de service pentru informații suplimentare.

### Husqvarna Fleet Services™

Husqvarna Fleet Services™ este o soluție în cloud care oferă managerului unei flote comerciale o prezentare generală asupra tuturor produselor. Husqvarna Fleet Services™ este disponibil ca serviciu web și ca aplicație. Pentru mai multe informații despre Husqvarna Fleet Services™, consultați [www.husqvarna.com](http://www.husqvarna.com).

**Nota:** Soluția cloud Husqvarna Fleet Services™ nu este disponibilă pe toate piețele.

### Pentru a vă conecta la produs cu Husqvarna Fleet Services™

1. Descărcați aplicația Husqvarna Fleet Services™ pe dispozitivul dvs. mobil.
2. Conectați-vă la aplicația Husqvarna Fleet Services™.
3. Urmați instrucțiunile despre cum se asociază produsul cu Husqvarna Fleet Services™.

### Tehnologie wireless Bluetooth®

Produsele cu tehnologie wireless Bluetooth® integrată se pot conecta la un dispozitiv mobil.

Simbolul pentru tehnologia wireless Bluetooth® se aprinde când dispozitivul dvs. mobil este conectat la produs.



**Nota:** Acest dispozitiv a fost evaluat pentru a respecta cerințele aplicabile privind expunerea la frecvențe radio (RF). Dispozitivul poate fi utilizat în condiții de expunere portabilă fără restricții.

### Actualizare firmware prin aer (pentru acumulatorii cu Bluetooth® încorporat)

Acumulatorii cu descărcare și instalare Bluetooth® automată a firmware-ului nou.

- Descărcarea începe atunci când este disponibil un firmware nou și acumulatorul este conectat

la Husqvarna Connect sau Husqvarna Fleet Services™.

- Indicatorul Bluetooth® arată când acumulatorul este conectat în timp ce afișajul acestuia este activ.
- Descărcarea firmware-ului durează 10-15 minute. Dacă descărcarea se oprește sau eșuează, acumulatorul va încerca să descarce firmware-ul din nou.
- Instalarea firmware-ului începe atunci când descărcarea este finalizată și acumulatorul nu este în curs de utilizare sau de încărcare.
- Indicatorii nivelului de încărcare pulsează în timpul instalării firmware-ului. Instalarea firmware-ului durează 10-15 minute.

## Încărcarea bateriei

Încărcați bateria înainte de prima utilizare. O baterie nouă este încărcată 30%. Apăsăți butonul pentru starea de încărcare pentru a obține informații despre nivelul de încărcare al bateriei. Utilizați și depozitați bateria numai în intervalul de temperatură recomandat. Consultați *Interval de temperatură recomandat la pagina 165*.

1. Introduceți bateria în încărcător. Când indicatorul de încărcare de pe încărcătorul de baterii se aprinde, bateria este conectată corect la încărcător.
2. Bateria este complet încărcată atunci când toți indicatorii nivelului de încărcare de pe baterie sunt aprinși.

3. Scoateți bateria din încărcător.

## Nivelul de încărcare a bateriei

O baterie Husqvarna Li-ion poate fi încărcată sau utilizată la toate nivelurile de încărcare.

Indicator al stării de încărcare	Starea bateriei (starea de încărcare)
4 indicatoare sunt aprinse	Acumulatorul este încărcat în proporție de 76%-100%.
3 indicatoare sunt aprinse	Acumulatorul este încărcat în proporție de 51%-75%.
2 indicatoare sunt aprinse	Acumulatorul este încărcat în proporție de 26%-50%.
1 indicator este aprins	Acumulatorul este încărcat în proporție de 11%-25%.
1 indicator se aprinde intermitent	Acumulatorul este încărcat în proporție de 0%-10%.

## Depanare

### Depanare

Simptome	Cauză	Acțiune
Un indicator al stării de încărcare se aprinde intermitent. Pentru produsele cu anumite versiuni de firmware, indicatorul de eroare al bateriei luminează intermitent.	Bateria este descărcată.	Încărcați bateria.
Indicatorul de eroare al bateriei se aprinde intermitent.	O sarcină mare în combinație cu o temperatură foarte scăzută a bateriei.	Încălziți bateria. De exemplu, duceți-o într-o clădire sau utilizați produsul la viteză redusă până se încălzește bateria.
	Bateria nu funcționează. Autonomia de funcționare a bateriei este la limită.	Scoateți bateria din produs. Așteptați 5 minute. Apăsăți butonul pentru starea de încărcare.
Indicatorul de temperatură a bateriei este aprins.	Bateria este prea rece sau prea fierbinte pentru a fi utilizată.	Păstrați bateria la o temperatură ambientă între -10°C (14°F) și 40°C (104°F). Când bateria are temperatura corectă, aceasta poate fi utilizată din nou.

Simptome	Cauză	A acțiune
Indicatorul de temperatură a bateriei se aprinde intermitent.	Bateria este aproape de temperatura limită.	Reduceți viteza și/sau sarcina. Mențineți bateria la temperatura preferată, între +10°C (50°F) și +30°C (86°F), pentru performanțe optime.
Indicatorul de temperatură a bateriei este aprins în timp ce bateria se află în încărcător.	Deviație de temperatură, bateria este prea rece sau prea fierbinte pentru a fi încărcată.	Lăsați bateria să se răcească sau mutați-o în interior pentru a o încălzi. Atunci când bateria are temperatura corectă, aceasta poate fi încărcată din nou. Asigurați-vă că utilizați încărcătorul într-un loc în care temperatura ambiantă este cuprinsă între 5°C (41°F) și 40°C (104°F). Țineți încărcătorul departe de lumina soarelui. Dacă problema continuă, adresați-vă reprezentantului dvs.
Indicatorul de eroare al bateriei se aprinde.	Acumulatorul are o eroare critică.	Adresați-vă reprezentantului dvs. de service Husqvarna.

## Transportul, depozitarea și eliminarea

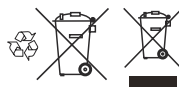
### Transport și depozitare

- Bateriile cu ioni de litiu furnizate respectă cerințele legislației privind bunurile periculoase.
- Respectați cerințele speciale de pe ambalaj și etichete privind transporturile comerciale, inclusiv cele efectuate de către terțe părți și companiile de expediție.
- Discutați cu o persoană care a beneficiat de instruire specială privind materialele periculoase înainte de a trimite produsul. Respectați toate reglementările naționale aplicabile.
- Aplicați bandă adezivă pe contacte atunci când introduceți bateria într-un ambalaj. Bateria trebuie ambalată bine astfel încât să se prevină distrugerea și accidentele.
- Nu păstrați bateria într-un loc în care poate apărea electricitate statică. Nu depozitați bateria într-o cutie metalică.
- Așezați bateria într-un spațiu uscat și curat, ferit de îngheț, cu o temperatură corectă.
- Utilizați și depozitați bateria numai în intervalul de temperatură recomandat. Consultați *Interval de temperatură recomandat la pagina 165*.

- Încărcați bateria în proporție de 30-50% înainte de a o depozita pe o perioadă lungă.
- Curățați bateria înainte de a o depozita.

### Eliminarea la deșeurii

Simbolul de mai jos înseamnă că produsul nu este deșeu casnic. Reciclați-l prin sistemul local de colectare pentru echipamente electrice și electronice. Astfel contribuți la gestionarea corectă a deșeurilor la sfârșitul duratei de viață. Contactați autoritățile locale, serviciile pentru deșeurii menajere, distribuitorul sau vânzătorul pentru informații. Eliminarea incorectă ca deșeu poate avea efecte negative asupra mediului și sănătății oamenilor, din cauza posibilei prezențe a substanțelor periculoase.



**Nota:** Simbolul apare pe produs sau pe ambalajul produsului.

## Date tehnice

### Mărci comerciale înregistrate

Marca și siglele *Bluetooth®* sunt mărci comerciale înregistrate ale *Bluetooth SIG, inc.*, iar utilizarea lor de către Husqvarna se face sub licență.

### Date tehnice

Bandă de frecvență, MHz	400 – 2483,5
Putere maximă transmisă, dBm	4

Pentru alte date tehnice, consultați plăcuța de identificare a bateriei.

încadreează în acest interval, bateria nu va funcționa corect.

## Interval de temperatură recomandat



**ATENȚIE:** O sarcină mare atunci când temperatura bateriei este sub 0 °C (32 °F) poate cauza o eroare temporară a bateriei.



**ATENȚIE:** Utilizați și depozitați bateria numai în intervalul de temperatură recomandat. Dacă temperatura nu se



**ATENȚIE:** Bateria nu se încarcă dacă temperatura sa nu se încadrează în intervalul de temperatură recomandat.

Temperatură de utilizare	Temperatură de încărcare	Temperatură de depozitare
-10-40 °C / 14-104 °F	5-40 °C / 41-104 °F	5-25 °C / 41-77 °F

## Încărcătoare de baterii omologate

Tabela

Încărcător de baterii	QC330	QC500	40-C500X	40-C750X	40-C1000X4
Tensiune de ieșire, V	36	36	36	36	36
Tensiune de intrare, V	100-240	100-240	100-240	100-240	100-240
Frecvență, Hz	50-60	50-60	50-60	50-60	50-60
Putere, W	330	500	500	750	1000 <sup>111</sup>

Tabela

Încărcător de baterii	40-C500X	40-C750X
Tensiune de ieșire, V	36	36
Tensiune de intrare, V	100-240	100-240
Frecvență, Hz	50-60	50-60
Putere, W	500	750

## declarație de conformitate

### Declarație de conformitate

Noi, Husqvarna AB, SE-561 82 Huskvarna, SUECIA, Tel: +46 36 146500, declarăm pe propria răspundere că produsul:

Descriere	Acumulator reîncărcabil cu litiu-ion
Marcă	Husqvarna®

<sup>111</sup>

Puterea maximă la încărcarea unei singure baterii este de 600 W.

<b>Descriere</b>	<b>Acumulator reîncărcabil cu litiu-ion</b>
<b>Tip/Model</b>	40-B140X, 40-B220X, 40-B330X, 40-B360X, 40-B540X
<b>Identificare</b>	Numererele de serie începând cu 2026

este în conformitate cu următoarele directive și regulamente UE, cum modificările corespunzătoare:

<b>Directivă/Regulament</b>	<b>Descriere</b>
2014/30/UE	„privind compatibilitatea electromagnetică”
2014/53/UE <sup>112</sup>	„referitoare la echipamentul radio”
(UE) 2023/1542	„referitoare la baterii și acumulatori uzajați”

și că au fost aplicate următoarele standarde și/sau specificații tehnice:

EN IEC 62133-2:2017+A1:2021

EN IEC 62133-2:2017<sup>113</sup>

IEC 63370:2022

EN 61000-6-1:2007/EN IEC 61000-6-1:2019,  
EN 61000-6-3:2007+A1:2011+AC:2012, EN IEC  
61000-6-3:2021<sup>114</sup>

ETSI EN 301 489-1 v.1.9.2, ETSI EN 301 489-17  
v.3.2.4, ETSI 300 328 v.2.2.2<sup>115</sup>

EN IEC 63000:2018

Alte testări referitoare la transportul mărfurilor  
periculoase;

UN 38.3 Ediția 7

Huskvarna, 10.04.2026



Lars Roos

Director de cercetare și dezvoltare, Centrul de  
competențe pentru baterii

Husqvarna AB, SUECIA

Responsabil pentru documentația tehnică



<sup>112</sup> Aplicabil pentru versiuni cu comunicare Bluetooth®.

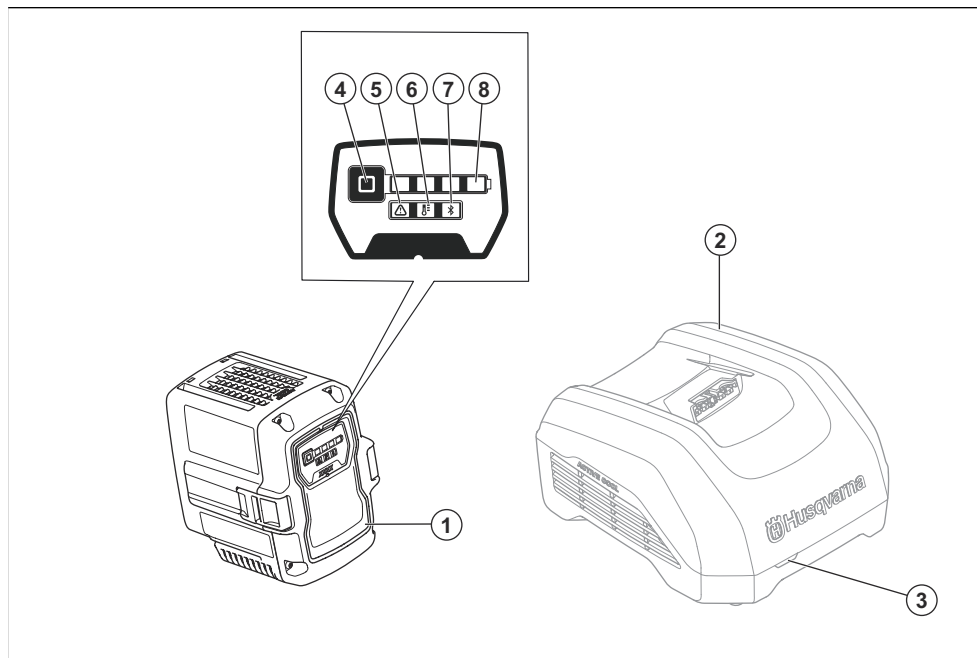
<sup>113</sup> Aplicabil numai pentru 40-B220X.

<sup>114</sup> Testarea EMC a fost efectuată, de asemenea, pe diverse produse care utilizează bateria.

<sup>115</sup> Aplicabil pentru versiuni cu comunicare Bluetooth®.

# Введение

## Обзор изделия



1. Аккумулятор
2. Зарядное устройство аккумулятора (принадлежность)
3. Индикатор зарядки и ошибки
4. Кнопка уровня заряда
5. Индикатор ошибки
6. Индикатор температуры аккумулятора
7. Индикатор Bluetooth® (если применимо)
8. Индикатор уровня заряда

поиск по названию модели. Перед использованием изделия убедитесь, что вы понимаете все инструкции.

### Символы на изделии



Соблюдайте осторожность и правила эксплуатации изделия. Изделие может стать причиной тяжелой травмы или смерти оператора и окружающих.



Внимательно изучите руководства по эксплуатации аккумулятора, одобренного зарядного устройства и аккумуляторного изделия, в котором используется данный аккумулятор. Руководства доступны по ссылке: [www.husqvarna.com/support](http://www.husqvarna.com/support). Выполните



Опасное напряжение.



Допускается использование во время дождя.



Предусмотрена защита от брызг воды.



Изделие соответствует действующим директивам и нормативам ЕС.



Изделие необходимо сдать в соответствующий пункт переработки электрического и электронного оборудования.



Запрещается утилизировать данное изделие и его упаковку в качестве бытовых отходов.



Не погружайте аккумулятор в воду.



Если изделие поддерживает технологию беспроводной связи Bluetooth®, на этикетке с названием изделия будет символ Bluetooth®. См. раздел *Беспроводная технология Bluetooth®* на стр. 170.

**Примечание:** Остальные символы/наклейки на изделии отвечают требованиям, предъявляемым к сертификации в других коммерческих зонах.

## Описание изделия

Husqvarna 40-B140X, 40-B220X, 40-B330X, 40-B360X, 40-B540X представляет собой портативный перезаряжаемый литий-ионный аккумулятор 36 В для аккумуляторных инструментов Husqvarna.

Husqvarna постоянно работает над усовершенствованием своей продукции, и поэтому компания оставляет за собой право на внесение изменений в конструкцию и/или внешний вид изделий без предварительного уведомления.

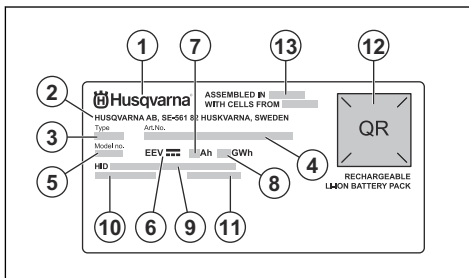
## Использование по назначению

Эти аккумуляторы предназначены для аккумуляторных инструментов Husqvarna. Ознакомьтесь с руководством по эксплуатации

электроинструмента, чтобы убедиться, что аккумулятор одобрен для использования с этим электроинструментом.

**Примечание:** Использование изделия может ограничиваться государственными или региональными нормативными требованиями. Соблюдайте применимые нормативные требования. Эти аккумуляторы предназначены для использования с одобренными зарядными устройствами. См. раздел *Одобрённые зарядные устройства* на стр. 173.

## Паспортная табличка



1. Марка
2. Адрес производителя
3. Тип
4. Артикул
5. Номер модели
6. Напряжение
7. Ампер-часы
8. Ватт-часы
9. Идентификационный номер Husqvarna (HID)
10. Тип аккумуляторного элемента
11. Серийный номер с датой производства
12. Сканируемый код
13. Страна сборки

## Безопасность

### Определения сигнальных слов

Сигнальные слова "Предупреждение", "Осторожно" и "Примечание" используются для выделения особо важных пунктов руководства.



### ПРЕДУПРЕЖДЕНИЕ:

Используется, когда несоблюдение инструкций руководства может привести к травмам или смерти оператора или находящихся рядом посторонних лиц.



**ВНИМАНИЕ:** Используется, когда несоблюдение инструкций руководства может привести к повреждению изделия, других материалов или прилегающей территории.

**Примечание:** Используется для предоставления дополнительных сведений о конкретной ситуации.

## Важные инструкции по технике безопасности



### ПРЕДУПРЕЖДЕНИЕ:

Внимательно прочитайте все предупреждения и информацию о мерах безопасности. Несоблюдение предупреждений и инструкций по технике безопасности может привести к поражению электрическим током, пожару и/или тяжелым травмам.

**Примечание:** Сохраните все предупреждения и инструкции.

- Используйте только одобренные зарядные устройства Husqvarna для зарядки оригинальных аккумуляторов Husqvarna. Для аккумуляторов используется программное обеспечение с криптографической защитой.
- Используйте одобренные перезаряжаемые аккумуляторы Husqvarna только с теми изделиями Husqvarna, для которых они предназначены. Во избежание травм запрещается использовать аккумулятор в

качестве источника питания для других устройств.

- Не пытайтесь разбирать или ремонтировать аккумулятор. Любые виды ремонта могут производиться только авторизованным дилером.
- Аккумулятор не должен подвергаться воздействию солнечного света, тепла или открытого пламени. Аккумулятор может стать причиной ожогов, в том числе химических.
- Запрещается использовать поврежденный аккумулятор или зарядное устройство.
- Не подвергайте аккумулятор механическим ударам.
- Храните аккумулятор в недоступном для детей месте.
- Храните аккумулятор чистым и сухим.
- В случае загрязнения клемм аккумулятора протрите их чистой сухой тканью.
- Не оставляйте аккумулятор в зарядном устройстве, когда он полностью заряжен.
- Извлекайте аккумулятор из изделия, когда оно не используется, а также на время транспортировки.
- Храните аккумуляторы вдали от металлических предметов, таких как гвозди, винты или ювелирные изделия.

## Работа

### Работа

- Используйте и храните аккумулятор только в рекомендованном диапазоне температур. См. раздел *Рекомендованный температурный диапазон на стр. 172*.
- Перед использованием нажмите кнопку индикации уровня заряда, чтобы включить аккумулятор.
- Перед первым использованием аккумулятор необходимо зарядить. Используйте только одобренное зарядное устройство Husqvarna. См. раздел *Одобрённые зарядные устройства на стр. 173*.
- Уменьшите рабочую нагрузку и/или скорость, если мигает индикатор температуры аккумулятора.
- Нажмите кнопку индикации уровня заряда, чтобы получить информацию об уровне заряда аккумулятора.

### Husqvarna Connect

Husqvarna Connect представляет собой бесплатное приложение для мобильного устройства. Приложение Husqvarna Connect позволяет пользоваться расширенными функциями вашего изделия Husqvarna.

- Дополнительная информация об изделии.

- Сведения о деталях и помощь в техническом обслуживании.

Дополнительную информацию о Husqvarna Connect см. на сайте [www.husqvarna.com](http://www.husqvarna.com).

**Примечание:** Приложение Husqvarna Connect доступно для загрузки не на всех рынках. Для получения более подробной информации обратитесь в сервисный центр.

### Начало работы с Husqvarna Connect

1. Скачайте приложение Husqvarna Connect на свое мобильное устройство.
2. Зарегистрируйтесь в приложении Husqvarna Connect.
3. Выполните пошаговые инструкции в приложении Husqvarna Connect, чтобы добавить изделие.

**Примечание:** Приложение Husqvarna Connect доступно для загрузки не на всех рынках. Для получения более подробной информации обратитесь в сервисный центр.

### Husqvarna Fleet Services™

Husqvarna Fleet Services™ — это решение на базе облачных технологий, которое предоставляет менеджеру коммерческого парка оборудования

обзор всех доступных изделий. Система Husqvarna Fleet Services™ доступна в виде веб-сервиса и приложения. Дополнительную информацию о Husqvarna Fleet Services™ см. на сайте [www.husqvarna.com](http://www.husqvarna.com).

**Примечание:** Облачное решение Husqvarna Fleet Services™ доступно не на всех рынках.

### Подключение к изделию через Husqvarna Fleet Services™

1. Загрузите приложение Husqvarna Fleet Services™ на свое мобильное устройство.
2. Войдите в учетную запись в приложении Husqvarna Fleet Services™.
3. Следуйте инструкциям по сопряжению изделия с Husqvarna Fleet Services™.

### Беспроводная технология Bluetooth®

Изделия с поддержкой беспроводной технологии Bluetooth® можно подключать к мобильным устройствам.

Символ беспроводной технологии Bluetooth® загорается при подключении мобильного устройства к изделию.



**Примечание:** Данное изделие прошло оценку на соответствие применимым требованиям в отношении воздействия радиочастот (РЧ). Изделие можно использовать как портативное устройство без ограничений.

### Обновление встроенного программного обеспечения по беспроводной связи (для аккумуляторов со встроенным Bluetooth®)

Аккумуляторы с Bluetooth® автоматически скачивают и устанавливают новое встроенное программное обеспечение.

- Скачивание начинается, когда доступна новая версия встроенного программного обеспечения и аккумулятор подключен к Husqvarna Connect или Husqvarna Fleet Services™.
- Индикатор Bluetooth® показывает подключение аккумулятора, когда дисплей аккумулятора активен.
- Скачивание встроенного программного обеспечения занимает 10–15 минут. Если

скачивание прервется или завершится неудачно, аккумулятор попытается скачать встроенное программное обеспечение еще раз.

- Установка встроенного программного обеспечения начинается после завершения загрузки, когда аккумулятор не используется и не заряжается.
- Индикаторы уровня заряда мигают во время установки встроенного программного обеспечения. Установка встроенного программного обеспечения занимает 10–15 секунд.

### Зарядка аккумулятора

Зарядите аккумулятор перед первой эксплуатацией. Уровень заряда нового аккумулятора составляет 30%. Нажмите кнопку индикации уровня заряда, чтобы получить информацию об уровне заряда аккумулятора. Используйте и храните аккумулятор только в рекомендованном диапазоне температур. См. раздел *Рекомендованный температурный диапазон на стр. 172*.

1. Вставьте аккумулятор в зарядное устройство. Когда индикатор на зарядном устройстве загорается, это указывает на правильное подключение аккумулятора к зарядному устройству.
2. Когда аккумулятор будет полностью заряжен, загорятся все индикаторы уровня заряда на аккумуляторе.
3. Извлеките аккумулятор из зарядного устройства.

### Уровень заряда аккумулятора

Литий-ионный аккумулятор Husqvarna можно заряжать и использовать при любом уровне заряда.

Индикаторы уровня заряда	Состояние аккумулятора (уровень заряда)
4 индикатора горят	Аккумулятор заряжен на 76–100%.
3 индикатора горят	Аккумулятор заряжен на 51–75%.
2 индикатора горят	Аккумулятор заряжен на 26–50%.
1 индикатор горит	Аккумулятор заряжен на 11–25%.
1 индикатор мигает	Аккумулятор заряжен на 0–10%.

## Поиск и устранение неисправностей

### Поиск и устранение неисправностей

Признаки неисправностей	Причина	Действие
Мигает один индикатор уровня заряда. На некоторых изделиях с определенной версией встроенного программного обеспечения также мигает индикатор ошибки аккумулятора.	Аккумулятор разряжен.	Зарядите аккумулятор.
Индикатор ошибки на аккумуляторе мигает.	Высокая нагрузка при очень низкой температуре аккумулятора.	Отогрейте аккумулятор. Например, разместите его в помещении или работайте на низкой скорости до тех пор, пока аккумулятор не нагреется.
	Аккумулятор не работает. Достигнут предел рабочего диапазона аккумулятора.	Извлеките аккумулятор из изделия. Подождите 5 минут. Нажмите кнопку индикации уровня заряда.
Индикатор температуры аккумулятора горит.	Аккумулятор может быть слишком холодным или слишком горячим для использования.	Используйте аккумулятор при температуре окружающей среды в диапазоне -10–40 °C (14–104 °F). Когда температура аккумулятора будет соответствовать норме, его можно использовать снова.
Индикатор температуры аккумулятора мигает.	Температура аккумулятора близка к предельным значениям.	Уменьшите скорость и/или рабочую нагрузку. Используйте аккумулятор при температуре окружающей среды в диапазоне +10–30 °C (50–86 °F).
Индикатор температуры аккумулятора включается, когда аккумулятор находится в зарядном устройстве.	Отклонение температуры, аккумулятор слишком холодный или слишком горячий для зарядки.	Дайте аккумулятору остыть или переместите его в помещение, чтобы прогреть его. Когда температура аккумулятора будет соответствовать норме, его можно снова заряжать. Используйте зарядное устройство только при температуре в диапазоне 5–40 °C (41–104 °F). Храните зарядное устройство вдали от солнечного света. Если проблема все еще не устранена, обратитесь в дилерский центр.
Загорается индикатор ошибки аккумулятора.	Критическая ошибка аккумулятора.	Обратитесь в сервисный центр Husqvarna.

# Транспортировка, хранение и утилизация

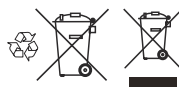
## Транспортировка и хранение

- Входящие в комплект литий-ионные аккумуляторы соответствуют требованиям законодательства в отношении опасных товаров.
- Соблюдайте особые требования к упаковке и маркировке для коммерческих перевозок, в том числе третьими лицами и экспедиторами.
- Перед отправкой/транспортировкой изделия обратитесь к человеку, прошедшему специальную подготовку по работе с опасными материалами. Соблюдайте все применимые государственные нормативы.
- Перед помещением аккумулятора в упаковку заклейте контакты изолентой. Плотной упакуйте аккумулятор во избежание повреждений и несчастных случаев.
- Не допускается хранение аккумулятора в местах, где существует риск возникновения статического электричества. Запрещается хранить аккумулятор в металлической коробке.
- Поместите аккумулятор в сухое, чистое и непромерзшее место с допустимой температурой.
- Используйте и храните аккумулятор только в рекомендованном диапазоне температур. См. раздел *Рекомендованный температурный диапазон* на стр. 172.

- Перед помещением аккумулятора на длительное хранение зарядите его на 30–50%.
- Перед помещением аккумулятора на хранение очистите его.

## Утилизация

Этот символ указывает на то, что данное изделие не подлежит утилизации в качестве бытовых отходов. Изделие необходимо передать в местный центр сбора и переработки электрического и электронного оборудования. Таким образом будет обеспечено надлежащее обращение с отходами по окончании срока службы. Для получения информации обратитесь в местные органы власти, местные службы по утилизации отходов, к дилеру или продавцу. Из-за потенциального наличия опасных веществ неправильная утилизация может нанести вред окружающей среде и здоровью людей.



**Примечание:** Данный символ нанесен на само изделие или его упаковку.

## Технические данные

### Зарегистрированные товарные знаки

Словесный знак *Bluetooth®* и логотипы являются зарегистрированными товарными знаками, принадлежащими компании *Bluetooth SIG, inc.* Любое использование этих знаков компанией *Husqvarna* регулируется лицензионным соглашением.

### Технические данные

Диапазоны частот, МГц	2400–2483,5
Макс. мощность передачи, дБм	4

Остальные технические данные приведены на паспортной табличке на аккумуляторе.

### Рекомендованный температурный диапазон



**ВНИМАНИЕ:** Высокая рабочая нагрузка при температуре аккумулятора

ниже 0 °C (32 °F) может привести к временной ошибке аккумулятора.



**ВНИМАНИЕ:** Используйте и храните аккумулятор только в рекомендованном диапазоне температур. Если температура выходит за пределы этого диапазона, аккумулятор не будет работать должным образом.



**ВНИМАНИЕ:** Аккумулятор не заряжается, если его температура выходит за пределы рекомендованного диапазона температур.

Температура эксплуатации	Температура зарядки	Температура хранения
-10–40 °C / 14–104 °F	5–40 °C / 41–104 °F	5–25 °C / 41–77 °F

## Одобрённые зарядные устройства

Табл.

Зарядное устройство	QC330	QC500	40-C500X	40-C750X	40-C1000X4
Выходное напряжение, В	36	36	36	36	36
Входное напряжение, В	100–240	100–240	100–240	100–240	100–240
Частота, Гц	50–60	50–60	50–60	50–60	50–60
Мощность, Вт	330	500	500	750	1000 <sup>116</sup>

Табл.

Зарядное устройство	40-C500X	40-C750X
Выходное напряжение, В	36	36
Входное напряжение, В	100–240	100–240
Частота, Гц	50–60	50–60
Мощность, Вт	500	750

### Декларация соответствия

#### Декларация соответствия

Настоящим мы, компания Husqvarna AB, SE-561 82 Huskvarna, SWEDEN (Швеция), тел.: +46-36-146500, с полной ответственностью заявляем, что изделие:

Описание	Перезаряжаемый литий-ионный аккумулятор
Марка	Husqvarna®
Тип/Модель	40-B140X, 40-B220X, 40-B330X, 40-B360X, 40-B540X
Идентификация	Серийные номера начиная с 2026 года и далее

соответствует следующим директивам и нормативам ЕС с внесенными поправками:

Директива/Норматив	Описание
2014/30/EU	"Об электромагнитной совместимости"

<sup>116</sup>

Максимальная мощность при зарядке только одного аккумулятора составляет 600 Вт.

Директива/Норматив	Описание
2014/53/EU <sup>117</sup>	"О радиооборудовании"
(EU) 2023/1542	"О батареях и отработанных батареях"

а также требованиям следующих стандартов и/или технических регламентов:

EN IEC 62133-2:2017+A1:2021

EN IEC 62133-2:2017<sup>118</sup>

IEC 63370:2022

EN 61000-6-1:2007/EN IEC 61000-6-1:2019,  
EN 61000-6-3:2007+A1:2011+AC:2012, EN IEC  
61000-6-3:2021<sup>119</sup>

ETSI EN 301 489-1 v.1.9.2, ETSI EN 301 489-17  
v.3.2.4, ETSI 300 328 v.2.2.2<sup>120</sup>

EN IEC 63000:2018

Другие испытания, относящиеся к транспортировке опасных грузов:

UN 38.3, редакция 7

Huskvarna, 10 апреля 2026 г.



Ларс Рус (Lars Roos)

Директор отдела разработок, центр Battery  
Competence Center

Husqvarna AB, ШВЕЦИЯ

Ответственный за техническую документацию



ТОО " Мастер Гарден Казахстан"  
Рег. номер 220540029853  
Шоссе Коргалжын, д. 76  
Астана, 010000  
Казахстан

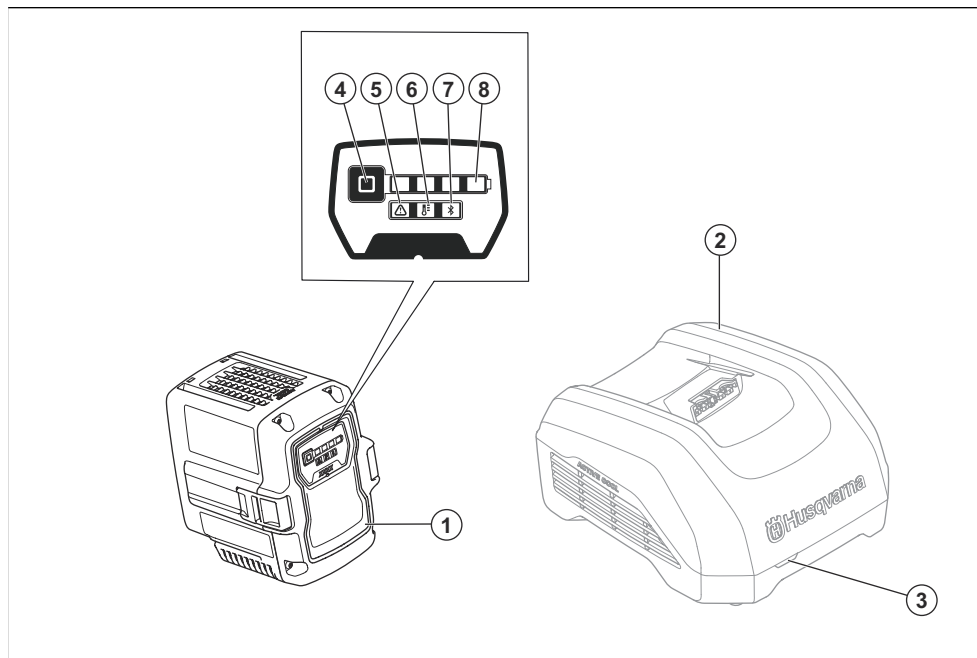
<sup>117</sup> Применимо к моделям с поддержкой Bluetooth®.

<sup>118</sup> Применимо только для 40-B220X.

<sup>119</sup> Испытание на ЭМС также проводилось на различных изделиях, использующих данный аккумулятор.

<sup>120</sup> Применимо к моделям с поддержкой Bluetooth®.

## Prehľad výrobku



1. Akumulátor
2. Nabíjačka (príslušenstvo)
3. Indikátor nabíjania a chýb
4. Tlačidlo stavu nabitia
5. Indikátor chýb
6. Indikátor teploty batérie
7. Indikátor Bluetooth® (ak je k dispozícii)
8. Indikátor stavu nabitia

výrobku sa uistite, že ste porozumeli všetkým pokynom.

## Symboły na výrobku



Postupujte opatrne a používajte výrobok správnym spôsobom. Tento výrobok môže spôsobiť vážne poranenie alebo smrtenie obsluhujúceho pracovníka alebo iných osôb.



Pozorne si prečítajte návod na obsluhu akumulátora, schválenej nabíjačky a bezdrôtového výrobku, ktorý tento akumulátor používa. Návodý nájdete na lokalite [www.husqvarna.com/support](http://www.husqvarna.com/support). Vyhľadajte názov modelu. Pred použitím



Nebezpečné napätie.



Vhodné na použitie v daždi.



S ochranou proti špliechajúcej vode.



Tento výrobok je v súlade s príslušnými smernicami a predpismi ES.



Produkt recyklujte vo vhodnom zariadení na likvidáciu elektrických a elektronických zariadení.



Výrobok alebo jeho obal nepredstavuje komunálny odpad.



Akumulátor neponárajte do vody.



Ak výrobok disponuje technológiou bezdrôtovej komunikácie *Bluetooth®*. Na štítku s názvom výrobku bude uvedený symbol *Bluetooth®*. Pozrite si časť *Bezdrôtová technológia Bluetooth®* na strane 177.

**Poznámka:** Ostatné symboly/emblémy na výrobku odkazujú na požiadavky certifikácie pre niektoré komerčné oblasti.

## Popis výrobku

Husqvarna 40-B140X, 40-B220X, 40-B330X, 40-B360X, 40-B540X je prenosný, nabíjateľný lítiovo-iónový 36 V akumulátor pre nástroje Husqvarna napájané akumulátorom.

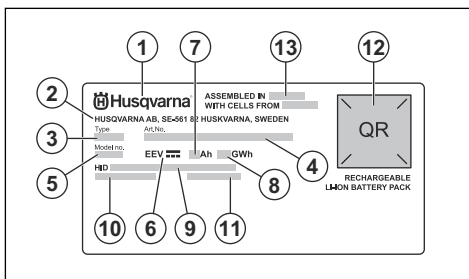
V rámci neustáleho vývoja našich výrobkov si spoločnosť Husqvarna vyhradzuje právo zmeniť konštrukciu a/alebo vzhľad výrobkov bez predchádzajúceho upozornenia.

## Plánované použitie

Tieto akumulátory sú určené pre nástroje Husqvarna napájané akumulátorom. Prečítajte si návod k elektrickému nástroju a uistite sa, že akumulátor je schválený pre daný nástroj.

**Poznámka:** Používanie môžu upravovať vnútroštátne alebo miestne predpisy. Dodržiavajte platné predpisy. Tieto akumulátory sú určené na použitie so schválenými nabíjačkami akumulátorov. Pozrite si časť *Schválené nabíjačky* na strane 180.

## Typový štítok



1. Značka
2. Adresa výrobcu
3. Typ
4. Objednávacie číslo
5. Číslo modelu
6. Napätie
7. Ampérhodiny
8. Watthodiny
9. Identifikátor Husqvarna Identity (HID)
10. Typ akumulátorového článku
11. Výrobné číslo s dátumom výroby
12. Snímateľný kód
13. Krajina montáže

## Bezpečnosť

### Bezpečnostné definície

Výstrahy, upozornenia a poznámky slúžia na zdôraznenie obzvlášť dôležitých častí návodu.



**VÝSTRAHA:** Používa sa, ak pre obsluhu alebo osoby v okolí existuje nebezpečenstvo poranenia alebo smrti v prípade nedodržania pokynov v návode.



**VAROVANIE:** Používa sa, ak hrozí nebezpečenstvo poškodenia produktu, iných materiálov alebo okolitej oblasti v prípade nedodržania pokynov v návode.

**Poznámka:** Používa sa na poskytnutie informácií nad rámec nevyhnutných informácií v danej situácii.

### Dôležité bezpečnostné pokyny



**VÝSTRAHA:** Prečítajte si všetky bezpečnostné upozornenia a pokyny. Nedodržanie týchto upozornení a pokynov môže spôsobiť zásah elektrickým prúdom, požiar a/alebo ťažké zranenia.

**Poznámka:** Uschovajte si všetky upozornenia a pokyny.

- Na nabíjanie originálnych akumulátorov Husqvarna používajte iba nabíjačku schválenú spoločnosťou Husqvarna. Akumulátory sú softvérovo kódované.
- Na napájanie príslušných výrobkov značky Husqvarna používajte iba nabíjateľné batérie schválené spoločnosťou Husqvarna. V prípade iných zariadení nepoužívajte akumulátor ako zdroj napájania, aby ste zabránili riziku zranenia.
- Akumulátor sa nepokúšajte rozoberať ani opraviť. Všetky opravy musí vykonať výlučne autorizovaný predajca.
- Akumulátor nevystavuje priamemu slnečnému žiareniu, teplu ani otvorenému ohňu. Akumulátor môže spôsobiť popálenie alebo poleptanie.
- Nepoužívajte poškodený akumulátor ani poškodenú nabíjačku.
- Akumulátor chráňte pred mechanickým nárazom.
- Akumulátor uchovávajte mimo dosahu detí.
- Udržiavajte akumulátor v čistote a suchý.
- Ak sa svorky akumulátora znečistia, očistite ich čistou suchou handričkou.
- Keď sa akumulátor úplne nabije, nenechávajte ho v nabíjačke.
- Počas prepravy alebo v čase, keď výrobok nepoužívate, vyberte akumulátor z výrobku.
- Akumulátory uchovávajte v bezpečnej vzdialenosti od kovových predmetov, ako sú napr. klince, skrutky alebo šperky.

---

## Prevádzka

---

### Prevádzka

- Akumulátor používajte a skladujte iba v odporúčanom rozsahu teplôt. Pozrite si časť *Odporúčaný rozsah teploty na strane 180*.
- Pred použitím spustíte akumulátor stlačením tlačidla stavu nabitia.
- Pred prvým použitím musíte akumulátor nabiť. Vždy používajte nabíjačku schválenú spoločnosťou Husqvarna. Pozrite si časť *Schválené nabíjačky na strane 180*.
- Keď bliká indikátor teploty akumulátora, znížte pracovné zaťaženie alebo otáčky.
- Stlačením tlačidla stavu nabitia získate informáciu o stave nabitia akumulátora.

### Husqvarna Connect

Husqvarna Connect je bezplatná aplikácia pre mobilné zariadenia. Aplikácia Husqvarna Connect prináša rozšírené funkcie pre výrobok Husqvarna.

- Rozšírené informácie o výrobku.
- Informácie a podpora vzťahujúce sa na súčasti výrobku a servis.

Ďalšie informácie o Husqvarna Connect získate na [www.husqvarna.com](http://www.husqvarna.com).

**Poznámka:** Aplikácia Husqvarna Connect je k dispozícii na prevzatie iba v niektorých trhoch. Ak potrebujete ďalšie informácie, obráťte sa na servisného predajcu.

### Ako začať používať Husqvarna Connect

1. Stiahnite si aplikáciu Husqvarna Connect do mobilného zariadenia.
2. Zaregistrujte sa v aplikácii Husqvarna Connect.
3. Ak chcete pridať výrobok, postupujte podľa pokynov v aplikácii Husqvarna Connect.

**Poznámka:** Aplikácia Husqvarna Connect je k dispozícii na prevzatie iba v niektorých trhoch. Ak potrebujete ďalšie informácie, obráťte sa na servisného predajcu.

### Husqvarna Fleet Services™

Husqvarna Fleet Services™ je cloudové riešenie, ktoré ponúka správcovi strojového parku využívaného na komerčné účely prehľad všetkých výrobkov. Husqvarna Fleet Services™ je k dispozícii ako webová služba a ako aplikácia. Ďalšie informácie o Husqvarna Fleet Services™ získate na [www.husqvarna.com](http://www.husqvarna.com).

**Poznámka:** Cloudové riešenie Husqvarna Fleet Services™ nie je dostupné na všetkých trhoch.

### Pripojenie výrobku k Husqvarna Fleet Services™

1. Stiahnite si aplikáciu Husqvarna Fleet Services™ do mobilného zariadenia.
2. Prihláste sa do aplikácie Husqvarna Fleet Services™.
3. Postupujte podľa pokynov na spáročovanie výrobku s aplikáciou Husqvarna Fleet Services™.

### Bezdrôtová technológia Bluetooth®

Výrobky so vstavanou bezdrôtovou technológiou Bluetooth® sa dokážu pripojiť k mobilnému zariadeniu.

Symbol pre bezdrôtovú technológiu Bluetooth® sa rozsvieti, keď je vaše mobilné zariadenie pripojené k výrobku.



**Poznámka:** Toto zariadenie bolo vyhodnotené tak, že vyhovuje príslušným požiadavkám na vystavenie rádiových frekvenciám (RF) vlnám. Zariadenie možno používať v podmienkach vystavenia počas prenosu bez obmedzenia.

## Bezdrôtová aktualizácia firmvéru (v prípade akumulátorov so vstavanou funkciou Bluetooth®)

Akumulátory s funkciou Bluetooth® sťahujú a inštalujú nový firmvér automaticky.

- Sťahovanie sa spustí, keď bude k dispozícii nový firmvér a akumulátor bude pripojený k službe Husqvarna Connect alebo Husqvarna Fleet Services™.
- Indikátor Bluetooth® signalizuje, že je akumulátor pripojený, kým je aktívny displej akumulátora.
- Sťahovanie firmvéru trvá 10 – 15 minút. Ak sa sťahovanie zastaví alebo zlyhá, akumulátor sa pokúsi stiahnuť firmvér znova.
- Inštalácia firmvéru sa spustí po dokončení sťahovania a akumulátor sa nebude používať ani nabíjať.
- Počas inštalácie firmvéru indikátory stavu nabitia blikajú. Inštalácia firmvéru trvá 10 – 15 sekúnd.

## Nabíjanie akumulátora

Batériu nabíjajte pred prvým použitím. Stav nabitia nového batérie je 30 %. Stlačením tlačidla stavu nabitia získate informáciu o stave nabitia akumulátora. Akumulátor

používajte a skladujte iba v odporúčanom rozsahu teplôt. Pozrite si časť *Odporúčaný rozsah teploty na strane 180*.

1. Vložte akumulátor do nabíjačky. Keď sa na nabíjačke rozsvieti indikátor nabíjania, akumulátor je správne pripojený k nabíjačke.
2. Akumulátor je úplne nabitý, keď na akumulátore svietia všetky indikátory stavu nabitia.
3. Vyberte akumulátor z nabíjačky.

## Stav nabíjania batérie

Lítium-iónová batéria Husqvarna sa dá nabíjať a používať pri všetkých úrovniach nabitia.

Indikátory stavu nabitia	Stav akumulátora (stav nabitia)
4 indikátory svietia	Akumulátor je nabitý na 76 % – 100 %.
3 indikátory svietia	Akumulátor je nabitý na 51 % – 75 %.
2 indikátory svietia	Akumulátor je nabitý na 26 % – 50 %.
1 indikátor svieti	Akumulátor je nabitý na 11 % – 25 %.
1 indikátor bliká	Akumulátor je nabitý na 0 % – 10 %.

## Riešenie problémov

### Riešenie problémov

Príznaky	Príčina	Akcia
Jeden indikátor stavu nabitia bliká. V prípade výrobkov s niektorými verziami firmvéru bliká aj indikátor chyby akumulátora.	Akumulátor je vybitý.	Nabíjajte akumulátor.
Bliká indikátor chyby akumulátora.	Vysoké pracovné zaťaženie v kombinácii s veľmi nízkou teplotou akumulátora.	Zohrejte akumulátor. Premiestnite ho napríklad do interiéru alebo ho prevádzkujte pri nízkych otáčkach, kým sa akumulátor nezahreje.
	Akumulátor nefunguje. Prevádzkový rozsah akumulátora je na svojom limite.	Vyberte akumulátor z výrobku. Počkajte 5 minút. Stlačte tlačidlo stavu nabitia.
Rozsvieti sa indikátor teploty akumulátora.	Akumulátor je príliš studený alebo príliš horúci na použitie.	Akumulátor udržiavajte pri teplote okoliťného prostredia medzi -10 °C (14 °F) až 40 °C (104 °F). Keď má akumulátor správnu teplotu, môžete ho znova použiť.

Príznaky	Príčina	Akcia
Indikátor teploty akumulátora bliká.	Akumulátor sa blíži k svojej hraničnej teplote.	Znížte otáčky alebo pracovné zaťaženie. Na dosiahnutie optimálneho výkonu udržiavajte akumulátor pri preferovanej teplote medzi +10 °C (50 °F) až +30 °C (86 °F).
Keď je akumulátor v nabíjačke, rozsvieti sa indikátor teploty akumulátora.	Teplotná odchýlka, akumulátor je príliš studený alebo príliš horúci na nabíjanie.	Nechajte akumulátor vychladnúť alebo ho preneste dovnútra, aby sa zohrial. Keď má akumulátor správnu teplotu, môžete ho znova dobiť. Nabíjačku používajte iba vtedy, keď je teplota okolitého prostredia medzi 5 °C (41 °F) až 40 °C (104 °F). Nabíjačku nevystavujte slnečnému žiareniu. Ak tento problém pretrváva, obráťte sa na predajcu.
Rozsvieti sa indikátor chyby akumulátora.	Akumulátor má kritickú chybu.	Obráťte sa na svojho servisného predajcu Husqvarna.

## Preprava, skladovanie a likvidácia

### Preprava a uskladnenie

- Dodávané lítium-iónové akumulátory spĺňajú požiadavky právnych predpisov, ktoré sa týkajú nebezpečného tovaru.
- Pri obchodnej preprave dodržiavajte špeciálne požiadavky na balení a štítkoch. Platí to aj pri požiadavkách od tretích strán a prepravcov.
- Pred odoslaním výrobku sa poraďte s osobou s osobitým vzdelaním v oblasti nebezpečných materiálov. Dodržiavajte všetky príslušné vnútroštátne právne predpisy.
- Pri vkladaní akumulátora do balenia zaistíte kontakty páskou. Akumulátor v balení pevne zabezpečte, aby ste predišli poškodeniu a nehodám.
- Neskladujte akumulátor na mieste, kde sa môže vyskytovať statická elektrina. Akumulátor nekladajte do kovovej skrinky.
- Akumulátor odložte na suché a čisté miesto so správnou teplotou bez výskytu mrazu.
- Akumulátor používajte a skladujte iba v odporúčanom rozsahu teplôt. Pozrite si časť *Odporúčaný rozsah teploty na strane 180*.
- Pred dlhodobým skladovaním akumulátor nabite na 30 – 50 % kapacity.

- Pred uskladnením akumulátor vyčistite.

### Likvidácia

Nižšie uvedený symbol znamená, že výrobok nepatrí do komunálneho odpadu. Recyklujte ho prostredníctvom miestneho zberného systému pre elektrické a elektronické zariadenia. Prispejete tým k správnej likvidácii výrobku po skončení jeho životnosti. Informácie získate od miestnych úradov, služby na likvidáciu komunálneho odpadu, vášho predajcu alebo maloobchodného predajcu. Nesprávna likvidácia môže mať potenciálny negatívny vplyv na životné prostredie a zdravie človeka z dôvodu možnej prítomnosti nebezpečných látok.



**Poznámka:** Tento symbol sa nachádza na výrobku alebo na jeho obale.

## Technické údaje

### Registrované ochranné známky

Slovné označenie *Bluetooth®* a súvisiace logá sú registrované ochranné známky spoločnosti *Bluetooth*

*SiG, inc.* a každé použitie takýchto značiek spoločnosťou Husqvarna vychádza z licencie.

## Technické údaje

Frekvenčné pásma, MHz	2400 – 2483,5
Max. prenášaný výkon, dBm	4

Ostatné technické údaje nájdete na výkonovom štítku akumulátora.

## Odporúčaný rozsah teploty



**VAROVANIE:** Vysoké pracovné zaťaženie pri teplote akumulátora nižšej ako

0 °C (32 °F) môže zapríčiniť dočasnú chybu akumulátora.



**VAROVANIE:** Akumulátor používajte a skladujte iba v odporúčanom rozsahu teplôt. Ak teplota nie je v tomto rozsahu, akumulátor nebude fungovať správne.



**VAROVANIE:** Akumulátor sa nenabíja, ak jeho teplota nie je v odporúčanom rozsahu.

Teplota pri používaní	Teplota pri nabíjaní	Skladovacia teplota
-10 – 40 °C/14 – 104 °F	5 – 40 °C/41 – 104 °F	5 – 25 °C/41 – 77 °F

## Schválené nabíjačky

### Tabuľka

Nabíjačka	QC330	QC500	40-C500X	40-C750X	40-C1000X4
Výstupné napätie, V	36	36	36	36	36
Vstupné napätie, V	100–240	100–240	100–240	100–240	100–240
Frekvencia, Hz	50–60	50–60	50–60	50–60	50–60
Výkon, W	330	500	500	750	1000 <sup>121</sup>

### Tabuľka

Nabíjačka	40-C500X	40-C750X
Výstupné napätie, V	36	36
Vstupné napätie, V	100–240	100–240
Frekvencia, Hz	50–60	50–60
Výkon, W	500	750

# Vyhlásenie o zhode

## Vyhlásenie o zhode

My ako spoločnosť Husqvarna AB, SE-561  
82 Huskvarna, ŠVÉDSKO, tel.: +46-36-146500  
vyhlasujeme s plnou zodpovednosťou, že výrobok:

<b>Popis</b>	<b>Nabíjateľný lítium-iónový akumulátor</b>
<b>Značka</b>	Husqvarna®
<b>Typ/model</b>	40-B140X, 40-B220X, 40-B330X, 40-B360X, 40-B540X
<b>Identifikácia</b>	Výrobné čísla od roku 2026 a novšie

je v súlade s nasledujúcimi smernicami a nariadeniami  
EÚ v znení neskorších predpisov:

<b>Smernice/Nariadenia</b>	<b>Popis</b>
2014/30/EÚ	„o elektromagnetickej kompatibilite“
2014/53/EÚ <sup>122</sup>	„o rádiových zariadeniach“
(EÚ) 2023/1542	„o batériách a odpadových batériách“

a že sa pri ňom uplatňujú nasledujúce normy a  
technické špecifikácie;

EN IEC 62133-2:2017+A1:2021

EN IEC 62133-2:2017<sup>123</sup>

IEC 63370:2022

EN 61000-6-1:2007/EN IEC 61000-6-1:2019,  
EN 61000-6-3:2007+A1:2011+AC:2012, EN IEC  
61000-6-3:2021<sup>124</sup>

ETSI EN 301 489-1 v.1.9.2, ETSI EN 301 489-17  
v.3.2.4, ETSI 300 328 v.2.2.2<sup>125</sup>

EN ISO 63000:2018

Ďalšie testovanie, pokiaľ ide o prepravu nebezpečného  
tovaru;

UN 38.3, vydanie 7

Husqvarna, 10. 4. 2026

Lars Roos

Riaditeľ pre výskum a vývoj, Kompetenčné centrum pre  
akumulátory

Husqvarna AB, ŠVÉDSKO

Zodpovedný za technickú dokumentáciu



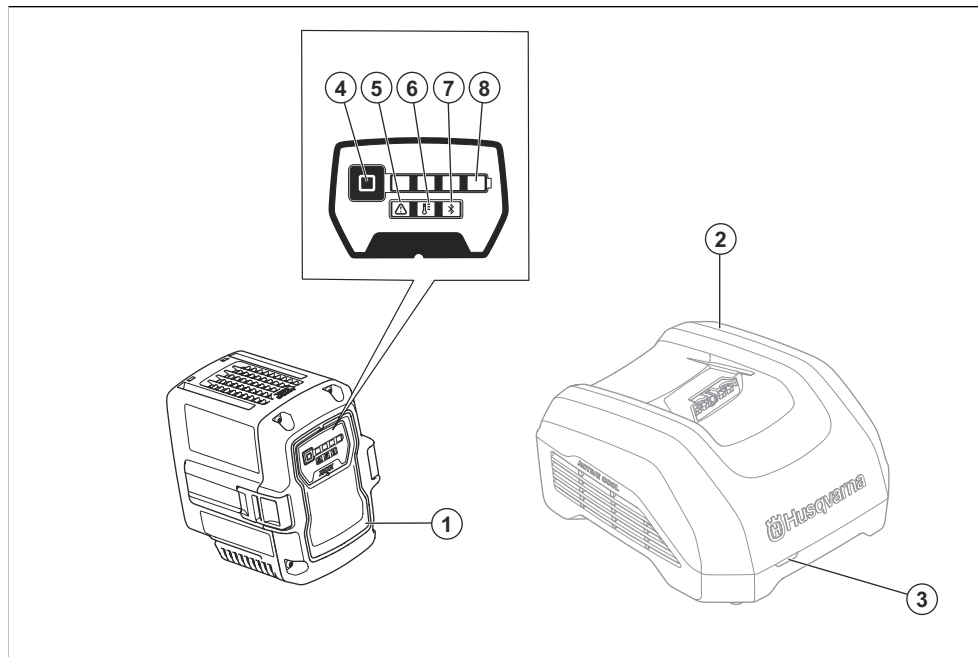
<sup>122</sup> Platí pre verzie, ktoré obsahujú komunikáciu prostredníctvom rozhrania Bluetooth®.

<sup>123</sup> Platí len pre 40-B220X.

<sup>124</sup> Testovanie EMC sa vykonalo aj na viacerých výrobkoch používajúcich akumulátor.

<sup>125</sup> Platí pre verzie, ktoré obsahujú komunikáciu prostredníctvom rozhrania Bluetooth®.

## Pregled izdelka



1. Akumulator
2. Polnilnik akumulatorja (dodatna oprema)
3. Indikator polnjenja in napake
4. Gumb za stanje napolnjenosti
5. Indikator napake
6. Indikator temperature akumulatorja
7. Indikator Bluetooth® (če je na voljo)
8. Indikator stanja napolnjenosti

## Simboli na izdelku



Bodite previdni in uporabljajte izdelek pravilno. Ta izdelek lahko povzroči hude poškodbe oziroma smrt upravljavca ali drugih.



Natančno preberite navodila za uporabo akumulatorja, odobrenega polnilnika in brezžičnega izdelka, ki uporablja ta akumulator. Navodila lahko najdete na spletnem mestu [www.husqvarna.com/support](http://www.husqvarna.com/support). Poiščite ime modela. Pred uporabo izdelka morate razumeti vsa navodila.



Neverna napetost.



Lahko uporabljate v dežju.



Zaščiteno pred pljuskami vode.



Izdelek je skladen z veljavnimi direktivami in predpisi ES.



Izdelek reciklirajte v primernem zbirnem centru za električno in elektronsko opremo.



Izdelek ali embalaža izdelka ne spadata med gospodinjske odpadke.



Akumulatorja ne potaplajte v vodo.



Če je izdelek opremljen z brezžično tehnologijo *Bluetooth®*. Na nalepki z imenom izdelka je prikazan znak *Bluetooth®*. Glejte *Brezžična tehnologija Bluetooth®* na strani 184.

**Opomba:** Ostali znaki in oznake na izdelku se nanašajo na zahteve za certifikacijo, ki veljajo za druga komercialna območja.

## Opis izdelka

Husqvarna 40-B140X, 40-B220X, 40-B330X, 40-B360X, 40-B540X je prenosen 36-voltni litij-ionski akumulator za akumulatorska orodja družbe Husqvarna.

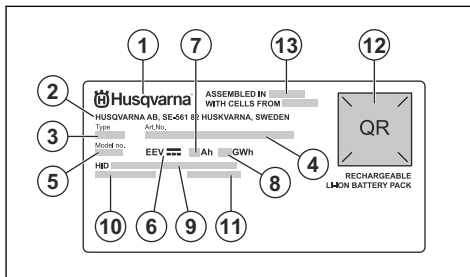
Nenehno razvijamo svoje izdelke, zato si pri družbi Husqvarna pridržujemo pravico do sprememb njihove oblike in/ali videza brez predhodnega opozorila.

## Namen uporabe

Ti akumulatorji so namenjeni akumulatorskim orodjem družbe Husqvarna. Preberite navodila za uporabo električnega orodja in preverite, ali je akumulator odobren za to električno orodje.

**Opomba:** Uporabo lahko urejajo državni ali lokalni predpisi. Upošteвайте veljavne predpise. Ti akumulatorji so namenjeni uporabi z odobrenimi polnilniki akumulatorjev. Glejte *Odobreni polnilniki za akumulatorje* na strani 187.

## Tipska ploščica



1. Znamka
2. Naslov proizvajalca
3. Vrsta
4. Številka izdelka
5. Številka modela
6. Napetost
7. Amperse ure
8. Vatne ure
9. Identiteta Husqvarna (HID)
10. Vrsta celice akumulatorja
11. Serijska številka z datumom proizvodnje
12. Bralna koda
13. Država sestavljanja

## Varnost

### Varnostne definicije

Opozorila, svarila in opombe opozarjajo na posebej pomembne dele priročnika.



**OPOZORILO:** Se uporabi, če obstaja nevarnost poškodbe ali življenjske ogroženosti operaterja ali opazovalcev ob neupoštevanju navodil v tem priročniku.



**POZOR:** Se uporabi, če obstaja nevarnost poškodb izdelka, drugega materiala ali bližnjega območja ob neupoštevanju navodil v tem priročniku.

**Opomba:** Se uporabi za podajanje podrobnejših informacij, potrebnih v dani situaciji.

### Pomembna varnostna navodila



**OPOZORILO:** Preberite vsa varnostna opozorila in vsa navodila. Neupoštevanje opozoril in navodil lahko povzroči električni udar, požar in/ali resno poškodbo.

**Opomba:** Shranite vsa opozorila in navodila.

- Za polnjenje akumulatorjev, ki jih odobri družba Husqvarna, uporabljajte samo polnilnike za originalne akumulatorje Husqvarna. Akumulatorji so šifrirani s programsko opremo.
- Akumulatorje, ki jih odobri družba Husqvarna in jih je mogoče polniti, uporabljajte samo za napajanje ustreznih izdelkov Husqvarna. Za preprečevanje poškodb akumulatorja ne uporabljajte za napajanje drugih naprav.

- Akumulatorja ne poskušajte razstaviti ali popravljati. Vsa popravila se morajo izvajati prek pooblaščenega prodajalca.
- Akumulatorja ne izpostavljajte neposredni sončni svetlobi, vročini ali odprtemu ognju. Akumulator lahko povzroči opekline in/ali kemične opekline.
- Ne uporabljajte poškodovanega ali pokvarjenega akumulatorja ali polnilnika akumulatorja.
- Akumulatorja ne izpostavljajte hudim mehanskim obremenitvam.
- Akumulator hranite zunaj dosega otrok.
- Pazite, da bo akumulator čist in suh.
- Če so konektorji akumulatorja umazani, jih očistite s čisto in suho krpo.
- Ko je akumulator popolnoma napolnjen, ga vzemite iz polnilnika akumulatorja.
- Ko izdelka ne uporabljate in med prevozom akumulator odstranite iz izdelka.
- Akumulatorji med skladiščenjem ne smejo priti v stik s kovinskimi predmeti, na primer žblji, vijaki ali nakitom.

---

## Delovanje

---

### Delovanje

- Akumulator uporabljajte in shranjujte samo pri priporočenih temperaturah. Glejte *Priporočen temperaturni razpon na strani 187*.
- Za zagon akumulatorja pred uporabo pritisnite gumb stanja napoljenosti.
- Pred prvo uporabo je treba akumulator napolniti. Uporabljajte le polnilnike za akumulatorje, ki jih odobri družba Husqvarna. Glejte *Odobreni polnilniki za akumulatorje na strani 187*.
- Ko indikator temperature na akumulatorju utripa, zmanjšajte delovno obremenitev in/ali hitrost.
- Za prikaz stanja napoljenosti akumulatorja pritisnite gumb stanja napoljenosti.

### Husqvarna Connect

Husqvarna Connect je brezplačna aplikacija za vašo mobilno napravo. Aplikacija Husqvarna Connect omogoča razširitev funkcij vašega izdelka Husqvarna.

- Dodatne informacije o izdelku.
- Informacije o izdelku, delih in servisu ter pomoč.

Več informacij o storitvi Husqvarna Connect najdete na naslovu [www.husqvarna.com](http://www.husqvarna.com).

**Opomba:** Aplikacija Husqvarna Connect ni na voljo za prenos na vseh trgih. Če potrebujete več informacij, se obrnite na servisnega zastopnika.

### Začetek uporabe storitve Husqvarna Connect

1. V mobilno napravo prenesite aplikacijo Husqvarna Connect.
2. Opravite registracijo v aplikaciji Husqvarna Connect.
3. Za dodajanje izdelka sledite navodilom v aplikaciji Husqvarna Connect.

**Opomba:** Aplikacija Husqvarna Connect ni na voljo za prenos na vseh trgih. Če potrebujete več informacij, se obrnite na servisnega zastopnika.

### Husqvarna Fleet Services™

Husqvarna Fleet Services™ je storitev v oblaku, ki upravljavcu komercialne skupine strojev omogoča pregled nad vsemi izdelki. Husqvarna Fleet Services™ je na voljo kot spletna storitev in kot aplikacija. Več informacij o storitvi Husqvarna Fleet Services™ najdete na naslovu [www.husqvarna.com](http://www.husqvarna.com).

**Opomba:** Oblačna rešitev Husqvarna Fleet Services™ ni na voljo na vseh trgih.

### Za združevanje izdelka s storitvijo Husqvarna Fleet Services™

1. Prenesite aplikacijo Husqvarna Fleet Services™ v mobilno napravo.
2. Prijavite se v aplikacijo Husqvarna Fleet Services™.
3. Za združevanje izdelka z aplikacijo Husqvarna Fleet Services™ sledite zgornjim navodilom.

### Brezžična tehnologija Bluetooth®

Izdelki z vdolano brezžično tehnologijo Bluetooth® se lahko povežejo z mobilno napravo.

Znak za brezžično tehnologijo *Bluetooth®* se vklopi, ko je vaša mobilna naprava povezana z izdelkom.



**Opomba:** Ta naprava je bila ocenjena kot skladna z veljavnimi zahtevami glede izpostavljenosti radijskim frekvencam (RF). Napravo lahko brez omejitev uporabljate v bližini telesa.

### Brezžično posodabljanje vdolane programske opreme (za akumulatorje z vgrajenim vmesnikom Bluetooth®)

Akumulatorji z vmesnikom Bluetooth® samodejno prenesejo in namestijo novo različico vdolane programske opreme.

- Prenos se začne, ko je na voljo nova različica vdelane programske opreme in je akumulator povezan z aplikacijo Husqvarna Connect ali Husqvarna Fleet Services™.
- Indikator Bluetooth® prikazuje, kdaj je akumulator priključen in njegov zaslon aktiven.
- Prenos vdelane programske opreme traja 10–15 minut. Če se prenos zaustavi ali ne uspe, bo akumulator znova poskusil prenesti vdelano programsko opremo.
- Namestitve vdelane programske opreme se začne, ko je prenos končan ter akumulator ni v uporabi in se ne polni.
- Med namestitvijo vdelane programske opreme utripajo indikatorji stanja napoljenosti. Namestitve vdelane programske opreme traja 10–15 sekund.

## Polnjenje akumulatorja

Baterijo pred prvo uporabo napolnite. Nova baterija je napolnjena 30-odstotno. Za prikaz stanja napoljenosti akumulatorja pritisnite gumb stanja napoljenosti. Akumulator uporabljajte in shranjujte samo pri priporočenih temperaturah. Glejte *Priporočen temperaturni razpon na strani 187*.

1. Akumulator vstavite v polnilnik akumulatorja. Če na polnilniku baterije zasveti indikator polnjenja, je baterija pravilno priključena na polnilnik.

2. Akumulator je v celoti napolnjen, ko svetijo vsi indikatorji stanja napoljenosti na akumulatorju.
3. Akumulator odstranite iz polnilnika.

## Stanje napoljenosti baterije

Litij-ionske baterije Husqvarna lahko polnite in uporabljate pri vseh nivojih napoljenosti.

Indikatorji stanja napoljenosti	Stanje akumulatorja (napoljenost)
4 indikatorji svetijo	Akumulator je napolnjen med 76 in 100 %.
3 indikatorji svetijo	Akumulator je napolnjen med 51 in 75 %.
2 indikatorja svetita	Akumulator je napolnjen med 26 in 50 %.
1 indikator sveti	Akumulator je napolnjen med 11 in 25 %.
1 indikator utripa	Akumulator je napolnjen med 0 in 10 %.

---

## Odpravljanje težav

---

### Odpravljanje težav

Znaki	Vzrok	Ukrep
Eden od indikatorjev stanja napoljenosti utripa. Pri izdelkih z nekaterimi različicami vdelane programske opreme utripa tudi indikator napake akumulatorja.	Akumulator je prazen.	Napolnite akumulator.
Indikator za napako akumulatorja utripa.	Močnejša obremenitev v povezavi z zelo nizko napoljenostjo akumulatorja.	Ogrejte akumulator. Akumulator, na primer, prestavite v zaprt prostor ali jo uporabljajte pri nižjih hitrostih, dokler se ne ogreje.
	Akumulator ne deluje. Omejitev delovnega območja akumulatorja je dosežena.	Odstranite akumulator iz izdelka. Počakajte 5 minut. Pritisnite gumb za stanje napoljenosti.
Indikator temperature akumulatorja sveti.	Akumulator je premrzal ali prevroč za uporabo.	Akumulator hranite pri temperaturah okolice med -10 °C (14 °F) in 40 °C (104 °F). Ko bo temperatura akumulatorja ustrezna, ga lahko spet uporabljate.

Znaki	Vzrok	Ukrep
Indikator temperature akumulatorja utripa.	Temperatura akumulatorja je blizu omejitev.	Znižajte hitrost in/ali obremenitev. Akumulator hranite pri priporočenih temperaturah okolice med +10 °C (50 °F) in +30 °C (86 °F).
Indikator temperature akumulatorja sveti, ko je akumulator v polnilniku.	Odstopanje temperature; temperatura akumulatorja je prenizka ali previsoka za polnjenje.	Počakajte, da se akumulator ohladi ali ga odnesite v toplem prostor, da se ogreje. Ko bo temperatura akumulatorja ustrezna, ga lahko znova polnite. Polnilnik akumulatorja uporabljajte samo v okolju s temperaturami med 5 °C (41 °F) in 40 °C (104 °F). Polnilnik naj ne bo izpostavljen soncu. Če težava ni odpravljena, se obrnite na svojega prodajalca.
Indikator napake akumulatorja sveti.	Kritična napaka akumulatorja.	Obrnite se na servisnega zastopnika podjetja Husqvarna.

## Transport skladiščenje in odstranitev

### Prevoz in skladiščenje

- Priloženi litij-ionski akumulatorji so skladni z zahtevami zakonodaje o nevarnem blagu.
- Upoštevajte posebne zahteve na embalaži in oznakah za komercialni prevoz ter navodila tretjih oseb in posrednikov.
- Pred pošiljanjem izdelka se posvetujte z osebo, ki je posebej usposobljena za nevarne snovi. Upoštevajte vse veljavne nacionalne predpise.
- Ob vstavljanju akumulatorja v paket prelepite kontakte. Akumulator vstavite v paket tako, da se ne more poškodovati ali povzročiti poškodb.
- Akumulatorja ne shranjujte v prostoru, v katerem je lahko prisotna statična elektrika. Akumulatorja ne shranjujte v kovinski škatli.
- Akumulator hranite v suhem in čistem prostoru s primerno temperaturo brez zmrzali.
- Akumulator uporabljajte in shranjujte samo pri priporočenih temperaturah. Glejte *Priporočen temperaturni razpon na strani 187*.
- Pred dolgotrajnejšim skladiščenjem mora biti akumulator napolnjen med 30 % in 50 %.

- Akumulator pred skladiščenjem očistite.

### Odlaganje

Simbol pomeni, da izdelek ni gospodinjstvi odpadki. Obvezna je reciklaža v najbližjem zbirnem centru za električno in elektronsko opremo. To prispeva k ustreznemu ravnanju z izrabljenimi odpadki. Za informacije se obrnite na lokalne organe, službe za ravnanje z gospodinjstvi odpadki, zastopnika ali prodajalca. V primeru neustrezne odstranitve odpadkov lahko pride zaradi morebitne prisotnosti nevarnih snovi do škodljivih posledic za okolje in zdravje ljudi.



**Opomba:** Simbol je prikazan na izdelku ali embalaži izdelka.

## Tehnični podatki

### Registrirane blagovne znamke

Besedna znamka in logotipi *Bluetooth®* so registrirane blagovne znamke v lasti *Bluetooth SIG, inc.* Vsaka uporaba teh oznak s strani Husqvarna je na podlagi licence.

### Tehnični podatki

Frekvenčni pas, MHz	Od 2400 do 2483,5
Največji prenos moči, dBm	4

Drugi tehnični podatki so navedeni na tipski ploščici na akumulatorju.

temperaturah. Če temperatura ni v tem območju, akumulator ne bo deloval pravilno.

## Priporočen temperaturni razpon



**POZOR:** Če je temperatura akumulatorja 0 °C (32 °F), lahko močnejša obremenitev sproži začasno napako akumulatorja.



**POZOR:** Akumulator uporabljajte in shranjujte samo pri priporočenih



**POZOR:** Akumulator se ne polni, če njegova temperatura ni v priporočenem temperaturnem območju.

Obratovalna temperatura	Temperatura polnjenja	Temperatura skladiščenja
-10–40 °C/14–104 °F	5–40 °C/41–104 °F.	5–25 °C/41–77 °F.

## Odobreni polnilniki za akumulatorje

Tabela

Polnilnik akumulatorja	QC330	QC500	40-C500X	40-C750X	40-C1000X4
Izhodna napetost, V	36	36	36	36	36
Vhodna napetost, V	100–240	100–240	100–240	100–240	100–240
Frekvenca, Hz	50–60	50–60	50–60	50–60	50–60
Moč, W	330	500	500	750	1000 <sup>126</sup>

Tabela

Polnilnik akumulatorja	40-C500X	40-C750X
Izhodna napetost, V	36	36
Vhodna napetost, V	100–240	100–240
Frekvenca, Hz	50–60	50–60
Moč, W	500	750

## Izjava o skladnosti

### Izjava o skladnosti

Pri podjetju Husqvarna AB, SE-561 82 Huskvarna, ŠVEDSKA, tel.: +46-36-146500, izjavljamo na lastno odgovornost, da je izdelek:

Opis	Litij-ionska baterija za ponovno polnjenje
Znamka	Husqvarna®

<sup>126</sup>

Največja moč pri polnjenju enega akumulatorja je 600 W.

<b>Opis</b>	<b>Litij-ionska baterija za ponovno polnjenje</b>
<b>Vrsta/model</b>	40-B140X, 40-B220X, 40-B330X, 40-B360X, 40-B540X
<b>Identifikacija</b>	Serijske številke od letnika 2026 dalje

v skladu z naslednjimi direktivami in uredbami EU, kot so bile spremenjene:

<b>Direktiva/uredba</b>	<b>Opis</b>
2014/30/EU	"o elektromagnetni združljivosti"
2014/53/EU <sup>127</sup>	"o radijski opremi"
(EU) 2023/1542	"o baterijah in odpadnih baterijah"

in so pri tem v veljavi naslednji standardi in/ali tehnične specifikacije;

EN IEC 62133-2:2017+A1:2021

EN IEC 62133-2:2017<sup>128</sup>

IEC 63370:2022

EN 61000-6-1:2007/EN IEC 61000-6-1:2019,  
EN 61000-6-3:2007+A1:2011+AC:2012, EN IEC  
61000-6-3:2021<sup>129</sup>

ETSI EN 301 489-1 razl. 1.9.2, ETSI EN 301 489-17  
razl. 3.2.4, ETSI 300 328 razl. 2.2.2<sup>130</sup>

EN IEC 63000:2018

Druga testiranja, ki so povezana s prevozom nevarnih snovi;

ZN 38.3, 7. izdaja

Huskvarna, 10. april 2026



Lars Roos

Direktor oddelka za raziskave in razvoj, kompetenčni center za akumulatorje

Husqvarna AB, ŠVEDSKA

Odgovorni za tehnično dokumentacijo



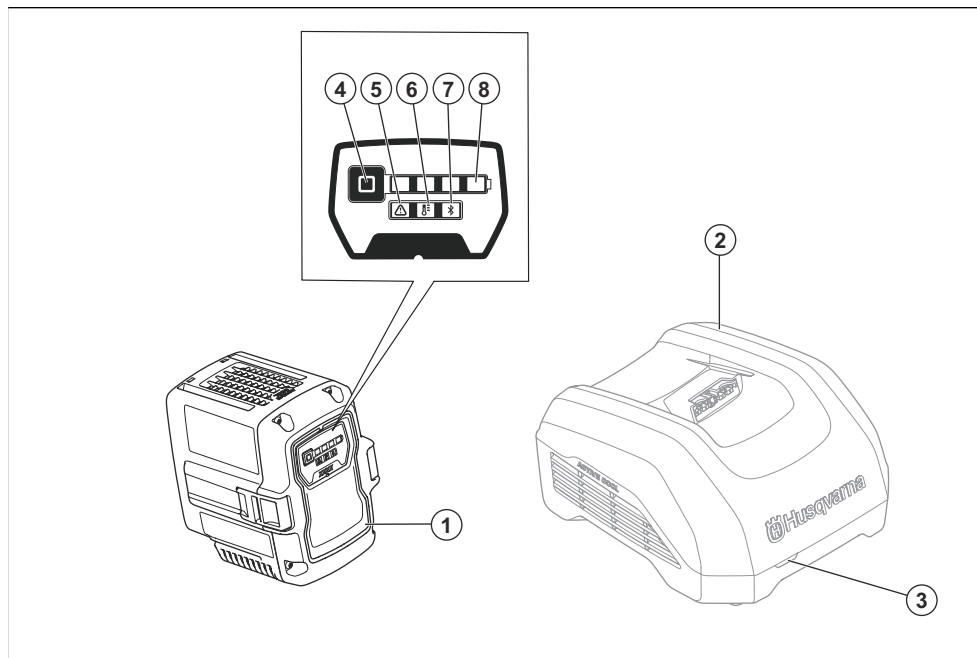
<sup>127</sup> Primerno za različice, ki vključujejo komunikacijo Bluetooth®.

<sup>128</sup> Velja samo za 40-B220X.

<sup>129</sup> Testiranje elektromagnetne združljivosti je bilo izvedeno tudi na različnih izdelkih, ki uporabljajo akumulator.

<sup>130</sup> Primerno za različice, ki vključujejo komunikacijo Bluetooth®.

## Produktöversikt



1. Batteri
2. Batteriladdare (tillbehör)
3. Laddnings- och felindikator
4. Knapp för batterikapacitet
5. Felindikator
6. Indikator för batteritemperatur
7. Bluetooth®-indikator (om tillämpligt)
8. Batteriindikator

## Symboler på produkten



Var försiktig och använd produkten på rätt sätt. Den här produkten kan orsaka allvarlig eller livshotande skada för användaren och andra.



Läs noga igenom bruksanvisningen för batteriet, den godkända laddaren och den sladdlösa produkten som batteriet används för. Du hittar bruksanvisningarna på [www.husqvarna.com/se/support](http://www.husqvarna.com/se/support). Sök efter modellnamnet. Se till att du förstår alla instruktioner innan du använder produkten.



Farlig spänning.



Kan användas i regn.



Skyddad mot vattenstänk.



Produkten överensstämmer med gällande EG-direktiv och förordningar.



Lämna in produkten för återvinning på en plats för kassering av elektrisk och elektronisk utrustning.



Produkten eller dess förpackning är inte hushållsavfall.



Sänk inte ner batteriet i vatten.



Om produkten har trådlös Bluetooth®-teknik är Bluetooth®-symbolen markerad på etiketten med produktnamnet. Se *Trådlös Bluetooth®-teknik på sida 191*.

**Notera:** Övriga symboler/dekaler på produkten avser specifika krav för certifieringar på vissa kommersiella marknader.

## Produktbeskrivning

Husqvarna 40-B140X, 40-B220X, 40-B330X, 40-B360X, 40-B540X är ett bärbart, uppladdningsbart litiumjonbatteri på 36 V för batteridrivna verktyg från Husqvarna.

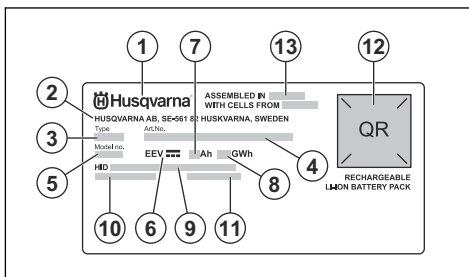
Som en del av den kontinuerliga vidareutvecklingen av Husqvarna-produkter förbehåller vi oss rätten till ändringar beträffande produkternas form och utseende utan föregående meddelande.

## Avsedd användning

Dessa batterier är avsedda för användning med batteridrivna verktyg från Husqvarna. Läs elverktygets handbok för att kontrollera att batteriet är godkänt för elverktyget.

**Notera:** Nationella eller lokala föreskrifter kan reglera användningen. Följ gällande föreskrifter. Dessa batterier är avsedda för användning med godkända batteriladdare. Se *Godkända batteriladdare på sida 194*.

## Typskylt



1. Varumärke
2. Tillverkarens adress
3. Typ
4. Artikelnummer
5. Modellnummer
6. Spänning
7. Amperetimmar
8. Wattimmar
9. Husqvarna-ID (HID)
10. Typ av battericell
11. Serienummer med tillverkningsdatum
12. Kod som kan skannas
13. Monteringsland

## Säkerhet

### Säkerhetsdefinitioner

Varningar, försiktighetsåtgärder och anmärkningar används för att betona speciellt viktiga delar i bruksanvisningen.



**WARNING:** Används om det finns risk för skador eller dödsfall för användaren eller personer i närheten om anvisningarna i bruksanvisningen inte följs.



**OBSERVERA:** Används om det finns risk för skada på produkten, annat material eller det angränsande området om anvisningarna i bruksanvisningen inte följs.

**Notera:** Används för att ge mer information som är nödvändig i en viss situation.

### Viktiga säkerhetsinstruktioner



**WARNING:** Läs alla säkerhetsvarningar och alla anvisningar. Om du inte följer varningarna och instruktionerna kan det leda till elektriska stötar, brand och/eller allvarlig skada.

**Notera:** Spara alla varningar och instruktioner.

- Använd endast godkända Husqvarna-batteriladdare för att ladda originalbatterier från Husqvarna. Batterierna har krypterad programvara.
- Använd endast godkända uppladdningsbara Husqvarna-batterier som strömförsörjning för relaterade Husqvarna-produkter. På grund av risken för skador ska du inte använda batteriet som strömkälla för andra enheter.

- Försök inte ta isär eller reparera batteriet. Reparationer får endast utföras av en godkänd återförsäljare.
- Håll batteriet borta från direkt solljus, värme och öppen eld. Batteriet kan orsaka brännskador och/eller kemiska brännskador.
- Använd aldrig ett skadat batteri eller batteriladdare.
- Utsätt inte batteriet för mekaniska stötar.
- Håll batteriet utom räckhåll för barn.
- Håll batteriet rent och torrt.
- Rengör batteriets kontakter med en ren och torr trasa om de blir smutsiga.
- Låt inte batteriet sitta kvar i batteriladdaren när det är fulladdat.
- Ta ut batteriet ur produkten när du inte använder den samt under transport.
- Håll batterier som förvaras borta från metallföremål, exempelvis spikar, skruvar och smycken.

---

## Drift

---

### Drift

- Använd och förvara batteriet endast inom det rekommenderade temperaturintervallet. Se *Rekommenderat temperaturintervall på sida 193*.
- Tryck på knappen för batterikapacitet för att starta batteriet före användning.
- Innan du använder batteriet för första gången måste det laddas. Använd alltid en godkänd batteriladdare från Husqvarna. Se *Godkända batteriladdare på sida 194*.
- Minska belastningen och/eller hastigheten om indikatorn för batteritemperatur blinkar.
- Tryck på knappen för batterikapacitet för att få information om batteriets kapacitet.

### Husqvarna Connect

Husqvarna Connect är en kostnadsfri app för mobila enheter. Husqvarna Connect-appen utökar funktionerna för Husqvarna-produkten

- Mer produktinformation.
- Information om, och hjälp med, produktdelar och service.

Mer information om Husqvarna Connect finns här: [www.husqvarna.com](http://www.husqvarna.com).

**Notera:** Husqvarna Connect-appen är inte tillgänglig för nedladdning på alla marknader. Prata med en serviceverkstad för mer information.

### Börja använda Husqvarna Connect

1. Ladda ner Husqvarna Connect-appen på din mobila enhet.
2. Utför registreringen i Husqvarna Connect-appen.
3. Följ anvisningarna i Husqvarna Connect-appen för att lägga till produkten.

**Notera:** Husqvarna Connect-appen är inte tillgänglig för nedladdning på alla marknader. Prata med en serviceverkstad för mer information.

### Husqvarna Fleet Services™

Husqvarna Fleet Services™ är en molnlösning som ger serviceteknikern en översikt över alla

produkter. Husqvarna Fleet Services™ är tillgänglig som webbtjänst och som app. Mer information om Husqvarna Fleet Services™ finns här: [www.husqvarna.com](http://www.husqvarna.com).

**Notera:** Molnlösningen Husqvarna Fleet Services™ är inte tillgänglig på alla marknader.

### Ansluta till produkten via Husqvarna Fleet Services™

1. Hämta appen Husqvarna Fleet Services™ på din mobila enhet.
2. Logga in i Husqvarna Fleet Services™-appen.
3. Följ instruktionerna för hur du parkopplar produkten med Husqvarna Fleet Services™.

### Trådlös Bluetooth®-teknik

Produkter med inbyggd trådlös Bluetooth®-teknik kan anslutas till mobila enheter.

Symbolen för trådlös Bluetooth®-teknik visas när din mobila enhet är ansluten till produkten.



**Notera:** Denna enhet har utvärderats för att överensstämma med tillämpliga RF-exponeringskrav (radiofrekvens). Enheten kan användas i bärbara exponeringsförhållanden utan begränsningar.

### Uppdatera Firmware Over the Air (för batterier med inbyggd Bluetooth®)

Batterier med Bluetooth® laddar ner och installerar ny programvara automatiskt.

- Hämtningen startar när ny programvara är tillgänglig och batteriet är anslutet till Husqvarna Connect eller Husqvarna Fleet Services™.
- Bluetooth®-indikatorn visar när batteriet är anslutet medan batteriindikatorn är aktiv.
- Det tar 10–15 minuter att ladda ner programvara. Om nedladdningen avbryts eller misslyckas försöker batteriet hämta programvaran igen.

- Installationen av programvaran startar när nerladdningen är klar och batteriet inte används eller laddas.
- Indikatorerna för batterikapacitet blinkar under programvaruinstallationen. Installationen av programvara tar 10–15 sekunder.

## Att ladda batteriet

Ladda batteriet före första användning. Ett nytt batteri är laddat till 30 %. Tryck på knappen för batterikapacitet för att få information om batteriets kapacitet. Använd och förvara batteriet endast inom det rekommenderade temperaturintervallet. Se *Rekommenderat temperaturintervall på sida 193*.

1. Sätt i batteriet i batteriladdaren. När laddningsindikatorn på batteriladdaren tänds är batteriet korrekt anslutet till batteriladdaren.
2. Batteriet är fulladdat när alla indikatorer för batterikapacitet på batteriet lyser.
3. Ta ut batteriet ur batteriladdaren.

## Batteriladdningsstatus

Ett litiumjonbatteri från Husqvarna kan laddas eller användas vid alla laddningsnivåer.

Indikatorer för batterikapacitet	Batteristatus (laddningsstatus)
4 indikatorer lyser	Batteriet är 76–100 % laddat.
3 indikatorer lyser	Batteriet är 51–75 % laddat.
2 indikatorer lyser	Batteriet är 26–50 % laddat.
1 indikator lyser	Batteriet är 11–25 % laddat.
1 indikator blinkar	Batteriet är 0–10 % laddat.

## Felsökning

### Felsökning

Symptom	Orsak	Åtgärd
En indikator för batterikapacitet blinkar. För produkter med vissa programvaruversioner blinkar även batteriets felindikator.	Batteriet är tomt.	Ladda batteriet.
Batteriets felindikator blinkar.	Hög belastning i kombination med mycket låg batteritemperatur.	Gör batteriet varmt. Flytta till exempel inomhus eller kör med låg hastighet tills batteriet är varmt.
	Batteriet fungerar inte. Gränsen för batteriets driftsintervall är nästan nådd.	Ta ur batteriet från produkten. Vänta fem minuter. Tryck på knappen för batterikapacitet.
Indikatorn för batteritemperatur lyser.	Batteriet är för kallt eller för varmt för att användas.	Använd batteriet i en omgivningstemperatur på –10 till 40 °C. När batteriet har rätt temperatur kan du använda det.
Indikatorn för batteritemperatur blinkar.	Batteriet är nära temperaturgränserna.	Minska hastigheten och/eller belastningen. Placera batteriet där temperaturen är mellan 10 och 30 °C för optimal prestanda.
Indikatorn för batteritemperatur lyser när batteriet sitter i laddaren.	Temperaturavvikelse: batteriet är för kallt eller för varmt för att laddas.	Låt batteriet svalna eller ta in det inomhus för att värma det. När batteriet har rätt temperatur kan det laddas igen. Använd laddaren i en omgivningstemperatur på 5 till 40 °C. Utsätt inte laddaren för solljus. Kontakta en återförsäljare om problemet kvarstår.

Symptom	Orsak	Åtgärd
Batteriets felindikator tänds.	Batteriet har ett kritiskt fel.	Kontakta en Husqvarna-serviceverkstad.

## Transport, förvaring och kassering

### Transport och förvaring

- Medföljande Li-Ion-batterier uppfyller kraven i lagstiftningen för farligt gods.
- Följ det särskilda kravet för förpackning och etiketter för kommersiella transporter, även från tredje parter och speditörer.
- Tala med en person med särskild utbildning i farliga material innan du skickar produkten. Följ alla tillämpliga nationella föreskrifter.
- Använd tejp på kontakterna när du lägger batteriet i en förpackning. Lägg batteriet trångt i förpackningen för att förhindra skador och olyckor.
- Förvara inte batteriet på ställen där statisk elektricitet kan uppkomma. Förvara inte batteriet i en metallåda.
- Placera batteriet på en torr, frostfri och ren plats med rätt temperatur.
- Använd och förvara batteriet endast inom det rekommenderade temperaturintervallet. Se *Rekommenderat temperaturintervall på sida 193*.
- Ladda batteriet till 30–50 % innan du förvarar det under längre perioder.

- Rengör batteriet innan du förvarar det.

### Avfallshantering

Symbolen innebär att produkten inte är hushållsavfall. Återvinn den via ditt lokala uppsamlingsystem för elektrisk och elektronisk utrustning. Detta bidrar till en korrekt hantering av avfall när dess livstid är slut. Kontakta lokala myndigheter, hushållsavfallstjänster, din verkstad eller återförsäljare för information. Felaktig kassering kan ha en negativ påverkan på miljön och människors hälsa på grund av potentiell förekomst av farliga ämnen.



**Notera:** Symbolen visas på produkten eller produktens förpackning.

## Tekniska data

### Registrerade varumärken

Ordmärket och logotypen *Bluetooth®* är registrerade varumärken som ägs av *Bluetooth SIG, inc.*, och all användning av sådana märken av Husqvarna sker med licens.

### Tekniska data

Frekvensband, MHz	2 400–2 483,5
Maximal utsänd effekt, dBm	4

Övriga tekniska data finns på typskylten på batteriet.

### Rekommenderat temperaturintervall



**OBSERVERA:** Tung belastning när batteritemperaturen är lägre än 0 °C kan orsaka ett tillfälligt batterifel.



**OBSERVERA:** Använd och förvara batteriet endast inom det rekommenderade temperaturintervallet. Om temperaturen inte är inom detta intervall fungerar inte batteriet som det ska.



**OBSERVERA:** Batteriet laddas inte om dess temperatur inte är inom det rekommenderade temperaturintervallet.

Användnings-temperatur	Laddningstemperatur	Förvaringstemperatur
–10 till 40 °C / 14 till 104 °F	5–40 °C / 41–104 °F	5–25 °C / 41–77 °F

## Godkända batteriladdare

Tabell

Batteriladdare	QC330	QC500	40-C500X	40-C750X	40-C1000X4
Utspänning, V	36	36	36	36	36
Ingående spänning, V	100–240	100–240	100–240	100–240	100–240
Frekvens, Hz	50–60	50–60	50–60	50–60	50–60
Effekt, W	330	500	500	750	1 000 <sup>131</sup>

Tabell

Batteriladdare	40-C500X	40-C750X
Utspänning, V	36	36
Ingående spänning, V	100–240	100–240
Frekvens, Hz	50–60	50–60
Effekt, W	500	750

---

## försäkran om överensstämmelse

---

### Försäkran om överensstämmelse

Vi, Husqvarna AB, 561 82 Huskvarna, SVERIGE, tel:  
+46 36 146500, försäkrar på eget ansvar att produkten:

Beskrivning	Laddningsbart Li-Ion-batteri
Varumärke	Husqvarna®
Typ/Modell	40-B140X, 40-B220X, 40-B330X, 40-B360X, 40-B540X
Identifiering	Serienummer daterade 2026 och framåt

överensstämmer med följande EU-direktiv och  
-fördordningar enligt ändringar:

Direktiv/fördordning	Beskrivning
2014/30/EU	"om elektromagnetisk kompatibilitet"
2014/53/EU <sup>132</sup>	"om radioutrustning"

<sup>131</sup>

Maximal effekt vid laddning av endast ett batteri är 600 W.

<sup>132</sup> Gäller för versioner med Bluetooth®-kommunikation.

Direktiv/förordning	Beskrivning
(EU) 2023/1542	"angående batterier och förbrukade batterier"

och att följande standarder och/eller tekniska specifikationer tillämpas:

SS-EN IEC 62133-2:2017+A1:2021

SS-EN IEC 62133-2:2017<sup>133</sup>

IEC 63370:2022

SS-EN 61000-6-1:2007/SS-EN IEC 61000-6-1:2019,  
SS-EN 61000-6-3:2007+A1:2011+AC:2012, SS-EN IEC  
61000-6-3:2021<sup>134</sup>

SS-ETSI EN 301 489-1 v.1.9.2, SS-ETSI EN 301 489-17  
v.3.2.4, ETSI 300 328 v.2.2.2<sup>135</sup>

EN IEC 63000:2018

Annan testning i relation till transport av farligt gods:

UN 38.3 utgåva 7

Huskvarna, 2026-04-10



Lars Roos

R&D Director, Battery Competence Center

Huskvarna AB, SVERIGE

Ansvarig för teknisk dokumentation

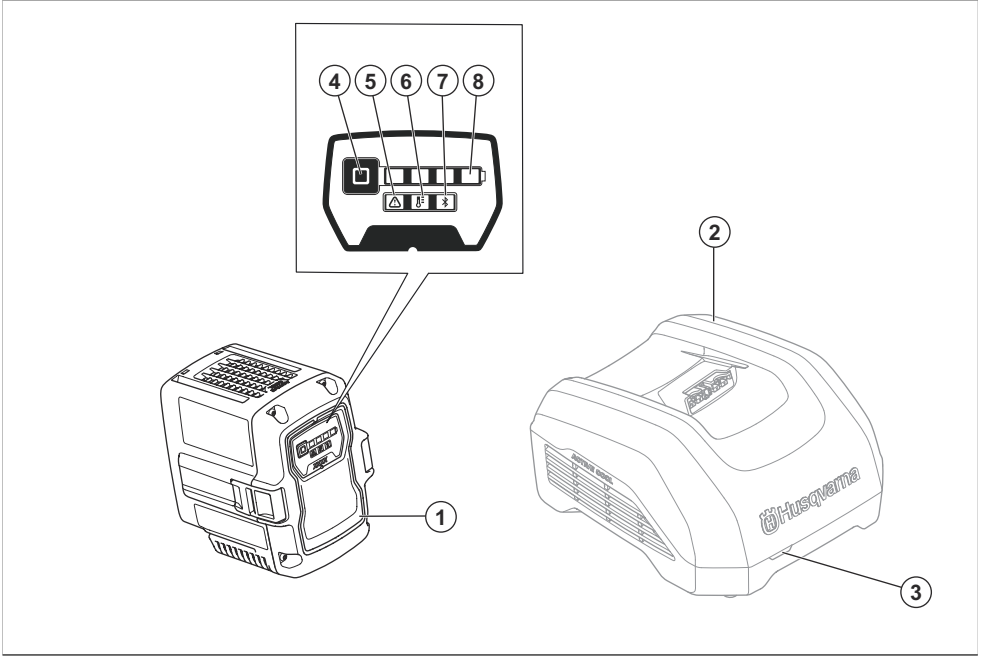


<sup>133</sup> Gäller endast för 40-B220X.

<sup>134</sup> EMC-testning har även utförts på olika produkter som batteriet används för.

<sup>135</sup> Gäller för versioner med Bluetooth®-kommunikation.

## Ürüne genel bakış



1. Akü
2. Akü şarj cihazı (aksesuar)
3. Şarj ve hata göstergesi
4. Şarj durumu düğmesi
5. Hata göstergesi
6. Akü sıcaklığı göstergesi
7. Bluetooth® göstergesi (varsa)
8. Şarj durumu göstergesi



Tehlikeli voltaj.



Yağmurda kullanılabilir.



Su sıçramasına karşı korumalıdır.



Ürün, geçerli AT direktiflerine ve düzenlemelerine uygundur.



Ürünü elektrikli ve elektronik ekipmanlara özel uygun bir bertaraf merkezinde geri dönüştürün.

## Ürün üzerindeki semboller



Dikkatli olun ve ürünü doğru kullanın. Bu ürün, sürücü ya da başkaları açısından ciddi yaralanmalara veya ölüme neden olabilir.



Akü, onaylı şarj cihazı ve bu aküyü kullanan kablosuz ürün için kullanım kılavuzunu dikkatlice okuyun. Kılavuzları [www.husqvarna.com/support](http://www.husqvarna.com/support) adresinde bulabilirsiniz. Model adını arayın. Ürünü kullanmadan önce tüm talimatları anladığınızdan emin olun.



Ürün ya da ürünün ambalajı evsel atık değildir.



Aküyü suya batırmayın.



Üründe *Bluetooth*® kablosuz teknolojisi varsa. Ürün adı etiketinde *Bluetooth*® sembolü bulunur. Bkz. *Bluetooth*® kablosuz teknolojisi sayfada: 198.

**Not:** Ürünün üzerindeki diğer semboller/etiketler, bazı ticari alanların sertifikalandırma gereklilikleri ile ilgilidir.

## Ürün açıklaması

Husqvarna 40-B140X, 40-B220X, 40-B330X, 40-B360X, 40-B540X, Husqvarna akülü aletler için taşınabilir, şarj edilebilir bir lityum iyon 36 V aküdür.

Sürekli ürün geliştirme sürecimiz kapsamında, Husqvarna önceden bildirimde bulunmaksızın ürünlerin tasarımını ve/veya görünümünü ile ilgili değişiklikler yapma hakkını saklı tutar.

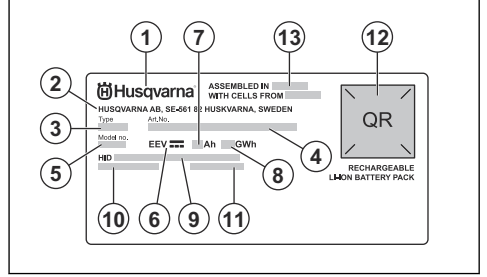
## Kullanım amacı

Bu aküler, Husqvarna akülü aletler içindir. Elektrikli alet kılavuzunu okuyarak akünün elektrikli alet için onaylandığından emin olun.

**Not:** Kullanım ulusal veya yerel yönetmelikler tarafından düzenlenebilir. Geçerli düzenlemelere uyun.

Bu aküler, onaylı akü şarj cihazlarıyla kullanım içindir. Bkz. *Onaylı akü şarj cihazları sayfada: 201.*

## Nominal değerler plakası



1. Marka
2. Üretici adresi
3. Tip
4. Ürün numarası
5. Model numarası
6. Voltaj
7. Amper-saat
8. Watt-saat
9. Husqvarna kimliği (HID)
10. Akü hücresi tipi
11. Üretim tarihiyle seri numarası
12. Taranabilir kod
13. Montaj ülkesi

## Güvenlik

### Güvenlik tanımları

Kılavuzun özellikle önemli bölümlerine işaret etmek için uyarılar, dikkat edilecek hususlar ve notlar kullanılmıştır.



**UYARI:** Talimatlara uyulmadığı takdirde operatör veya çevredeki kişiler için yaralanma ya da ölüm riski varsa kullanılır.



**DİKKAT:** Kılavuzdaki talimatlara uyulmazsa ürünün, diğer malzemelerin veya çevredeki alanın zarar görme riski varsa kullanılır.

**Not:** Belirli bir durum için gerekli olandan daha fazla bilgi vermek üzere kullanılır.

### Önemli güvenlik talimatları



**UYARI:** Tüm güvenlik uyarılarını ve talimatları okuyun. Uyarılar ve talimatların göz ardı edilmesi elektrik çarpmasına, yangına ve/veya ciddi yaralanmalara neden olabilir.

**Not:** Tüm uyarı ve talimatları saklayın.

- Husqvarna onaylı aküleri şarj etmek için yalnızca Husqvarna onaylı akü şarj cihazlarını kullanın. Aküler yazılım şifresine sahiptir.
- Şarj edilebilir Husqvarna onaylı aküleri yalnızca ilgili Husqvarna ürünleri için güç kaynağı olarak kullanın. Yaralanmayı önlemek için aküyü başka cihazların güç kaynağı olarak kullanmayın.

- Aküyü parçalarına ayırmaya veya onarmaya çalışmayın. Tüm onarım işlemleri yalnızca yetkili bayi tarafından yapılmalıdır.
- Aküyü güneş ışığından, ısı kaynaklarından veya açık alevden uzak tutun. Akü yanıklara ve/veya kimyasal yanıklara neden olabilir.
- Hasarlı aküleri veya akü şarj cihazlarını kullanmayın.
- Aküyü mekanik darbelerle maruz bırakmayın.
- Aküyü çocuklardan uzakta tutun.

- Aküyü temiz ve kuru tutun.
- Akü terminalleri kirlenirse temiz ve kuru bir bezle silin.
- Tamamen dolduğunda aküyü şarj cihazında bırakmayın.
- Kullanmadığınız zamanlarda ve taşıma sırasında aküyü üründen çıkarın.
- Aküleri çivi, vida veya mücevherat gibi metal nesnelere uzak bir yerde saklayın.

## Çalışma

### Çalışma

- Aküyü yalnızca önerilen sıcaklık aralığında çalıştırın ve muhafaza edin. Bkz. *Önerilen sıcaklık aralığı sayfa: 200.*
- Kullanmadan önce aküyü çalıştırmak için şarj durumu düğmesine basın.
- Akü ilk kullanımdan önce şarj edilmelidir. Her zaman Husqvarna onaylı akü şarj cihazı kullanın. Bkz. *Onaylı akü şarj cihazları sayfa: 201.*
- Akü sıcaklık göstergesi yanıp sönerken iş yükünü ve/veya hızı azaltın.
- Akünün şarj durumu hakkında bilgi almak için şarj durumu düğmesine basın.

### Husqvarna Connect

Husqvarna Connect, mobil cihazınız için ücretsiz bir uygulamadır. Husqvarna Connect uygulaması, Husqvarna ürününüz için ayrıntılı işlevler sunar.

- Ayrıntılı ürün bilgileri.
- Ürün parçaları ve servis hakkında bilgi ve yardım.

Husqvarna Connect hakkında daha fazla bilgi için bkz. [www.husqvarna.com](http://www.husqvarna.com).

**Not:** Husqvarna Connect uygulaması tüm pazarlarda indirilemez. Daha fazla bilgi için lütfen servis bayinizle görüşün.

### Husqvarna Connect uygulamasını kullanmaya başlama

1. Husqvarna Connect uygulamasını mobil cihazınıza indirin.
2. Husqvarna Connect uygulamasında kaydolun.
3. Ürünü eklemek için Husqvarna Connect uygulamasındaki talimatları izleyin.

**Not:** Husqvarna Connect uygulaması tüm pazarlarda indirilemez. Daha fazla bilgi için lütfen servis bayinizle görüşün.

### Husqvarna Fleet Services™

Husqvarna Fleet Services™, ticari filo yöneticisine tüm ürünlere dair genel bakış sunan bulut tabanlı bir çözümdür. Husqvarna Fleet Services™, web hizmeti ve

uygulama olarak mevcuttur. Husqvarna Fleet Services™ hakkında daha fazla bilgi için bkz. [www.husqvarna.com](http://www.husqvarna.com).

**Not:** Husqvarna Fleet Services™ bulut çözümü tüm pazarlarda mevcut değildir.

### Ürüne Husqvarna Fleet Services™ ile bağlanma

1. Husqvarna Fleet Services™ uygulamasını mobil cihazınıza indirin.
2. Husqvarna Fleet Services™ uygulamasında oturum açın.
3. Ürünü Husqvarna Fleet Services™ ile eşleştirmeye ilişkin talimatları uygulayın.

### Bluetooth® kablosuz teknolojisi

Yerleşik Bluetooth® kablosuz teknolojisine sahip ürünler, bir mobil cihaza bağlanabilir.

Mobil cihazınız ürüne bağlıyken Bluetooth® kablosuz teknolojiyi sembolü yanar.



**Not:** Bu cihaz, geçerli Radyo Frekansı (RF) maruz kalma gereksinimlerine uyması açısından değerlendirilmiştir. Cihaz, kısıtlama olmadan taşınabilir maruz kalma koşullarında kullanılabilir.

### Ürün yazılımını kablosuz olarak güncelleme (dahili Bluetooth® özellikli aküler için)

Bluetooth® özellikli aküler yeni ürün yazılımını otomatik olarak indirip kurar.

- Yeni ürün yazılımı mevcut olduğunda ve akü, Husqvarna Connect veya Husqvarna Fleet Services™ ile bağlantılı olduğunda indirme işlemi başlar.
- Akü göstergesi aktifken, akünün bağlı olduğu Bluetooth® göstergesi ile gösterilir.
- Ürün yazılımı indirme işlemi 10-15 dakika sürer. İndirme işlemi durur veya başarısız olursa akü, ürün yazılımını yeniden indirmeye çalışır.

- İndirme tamamlandığında ve akü kullanılmıyorken veya şarj edilmiyorken ürün yazılımı yükleme işlemi başlar.
- Şarj durumu göstergeleri, ürün yazılımını yükleme sırasında yanıp söner. Ürün yazılımı yükleme işlemi 10-15 saniye sürer.

### Aküyü şarj etme

İlk kullanımdan önce aküyü şarj edin. Yeni bir akünün şarjı %30 seviyesindedir. Akünün şarj durumu hakkında bilgi almak için şarj durumu düğmesine basın. Aküyü yalnızca önerilen sıcaklık aralığında çalıştırın ve muhafaza edin. Bkz. *Önerilen sıcaklık aralığı sayfa: 200.*

- Aküyü, akü şarj cihazına yerleştirin. Akü şarj cihazı üzerindeki şarj göstergesi yandığında akü, akü şarj cihazına doğru bir şekilde bağlanmış demektir.
- Akünün üzerindeki tüm şarj durumu göstergeleri yandığında akü tamamen şarj olmuş demektir.

- Aküyü, akü şarj cihazından çıkarın.

### Akü şarj durumu

Husqvarna Lityum iyon akü, tüm şarj seviyelerinde şarj edilebilir veya kullanılabilir.

Şarj durumu göstergeleri	Akü durumu (şarj durumu)
4 gösterge yanıyor	Akü %76 - %100 doludur.
3 gösterge yanıyor	Akü %51 - %75 doludur.
2 gösterge yanıyor	Akü %26 - %50 doludur.
1 gösterge yanıyor	Akü %11 - %25 doludur.
1 gösterge yanıp sönüyor	Akü %0 - %10 doludur.

## Sorun giderme

### Sorun giderme

Belirtiler	Neden	İşlem
Bir şarj durumu göstergesi yanıp sönüyor. Bazı ürün yazılımı sürümlerine sahip ürünlerde, akü hata göstergesi de yanıp söner.	Akü boştur.	Aküyü şarj edin.
Akü hata göstergesi yanıp sönüyor.	Çok düşük akü sıcaklığı ile birlikte ağır iş yükü.	Aküyü ısıtın. Örneğin, aküyü kapalı alana alın veya akü ısınana kadar düşük hızda çalıştırın.
	Akü çalışmıyor. Akünün çalışma aralığı, sınırındadır.	Aküyü üründen çıkarın. 5 dakika bekleyin. Şarj durumu düğmesine basın.
Akü sıcaklık göstergesi YANIYOR.	Akü kullanılamayacak kadar soğuk ya da sıcaktır.	Aküyü -10°C (14°F) ile 40°C (104°F) arasındaki ortam sıcaklıklarında muhafaza edin. Akü doğru sıcaklığa geldiğinde tekrar kullanılabilir.
Akü sıcaklık göstergesi yanıp sönüyor.	Akü, sıcaklık sınırlarına yaklaşıyor.	Hızı ve/veya iş yükünü azaltın. Optimum performans için aküyü +10°C (50°F) ile +30°C (86°F) arasında tercih edilen sıcaklıkta tutun.
Akü şarj cihazındayken akü sıcaklık göstergesi YANIYOR.	Sıcaklık sapması. Akü şarj edilemeyecek kadar soğuk ya da sıcaktır.	Akünün soğumasını bekleyin veya ısınması için kapalı mekana taşıyın. Akü doğru sıcaklığa geldiğinde tekrar şarj edilebilir. Şarj cihazını yalnızca 5°C (41°F) ile 40°C (104°F) arasındaki ortam sıcaklıklarında kullandığınızdan emin olun. Şarj cihazını güneş ışığından uzak tutun. Sorun devam ederse bayinize başvurun.

Belirtiler	Neden	İşlem
Akü hata göstergesi yanıyor.	Aküde kritik bir hata vardır.	Husqvarna yetkili servisiniz ile iletişime geçin.

## Taşıma, depolama ve bertaraf

### Taşıma ve depolama

- Ürün ile birlikte verilen Lityum İyon aküler, Tehlikeli Maddeler Yönetmeliklerinin gereksinimlerini karşılamaktadır.
- Ticari amaçlı taşıma işlemlerinde üçüncü taraflar ve aracı şirketlerin belirttikleri de dahil olmak üzere, ambalaj ve etiketler üzerindeki özel gereksinimlere uyun.
- Ürünü göndermeden önce tehlikeli maddeler konusunda özel eğitim almış bir kişiyle görüşün. Yürürlükteki tüm ulusal yönetmeliklere uyun.
- Aküyü bir ambalaja yerleştireceğiniz zaman kontakları bantlayın. Aküyü ambalaj içine hasar ve kazaları engelleyecek şekilde sıkıca yerleştirin.
- Aküyü statik elektriğin oluşabileceği yerlerde saklamayın. Aküyü metal bir kutuda tutmayın.
- Aküyü doğru sıcaklıktaki kuru, don olmayan ve temiz bir yere koyun.
- Aküyü yalnızca önerilen sıcaklık aralığında çalıştırın ve muhafaza edin. Bkz. *Önerilen sıcaklık aralığı sayfa: 200.*

- Uzun süreli depolamadan önce aküyü %30-%50 arasındaki bir seviyeye kadar şarj edin.
- Aküyü depoya kaldırmadan önce temizleyin.

### Bertaraf

Sembol, ürünün evsel atık olmadığını gösterir. Ürünü elektrikli ve elektronik ekipmanlar için yerel toplama sisteminizden geri dönüştürün. Bu, uygun kullanım ömrü sonu atık yönetimine katkıda bulunur. Bilgi için yerel yetkililere, evsel atık hizmetlerine, bayinize veya satıcınıza başvurun. Yanlış bertarafın, tehlikeli maddelerin bulunma olasılığı nedeniyle çevre ve insan sağlığı üzerinde olumsuz etkileri olabilir.



**Not:** Sembol, ürün veya ürün paketi üzerinde gösterilir.

## Teknik veriler

### Tescilli ticari markalar

*Bluetooth®* marka ismi ve logoları, *Bluetooth SIG, inc.* mülkiyetinde olan tescilli ticari markalardır ve Husqvarna, bu tür markaları ruhsatlı olarak kullanmaktadır.

### Teknik veriler

Frekans aralıkları, MHz	2400 – 2483,5
Maks. iletilen güç, dBm	4

Diğer teknik veriler için akü üzerindeki nominal değerler plakasına bakın.

### Önerilen sıcaklık aralığı



**DİKKAT:** Akü sıcaklığı 0°C'den (32°F) düşük olduğunda ağır iş yükü, geçici akü hatasına neden olabilir.



**DİKKAT:** Aküyü yalnızca önerilen sıcaklık aralığında çalıştırın ve muhafaza edin. Sıcaklık bu aralıkta değilse akü düzgün çalışmaz.



**DİKKAT:** Sıcaklığı önerilen sıcaklık aralığında değilse akü şarj olmaz.

Kullanım sıcaklığı	Şarj sıcaklığı	Depolama sıcaklığı
-10-40°C / 14-104°F	5-40°C / 41-104°F	5-25°C / 41-77°F

## Onaylı akü şarj cihazları

### Çizelge

Akü şarj cihazı	QC330	QC500	40-C500X	40-C750X	40-C1000X4
Çıkış voltajı, V	36	36	36	36	36
Giriş voltajı, V	100-240	100-240	100-240	100-240	100-240
Frekans, Hz	50-60	50-60	50-60	50-60	50-60
Güç, W	330	500	500	750	1000 <sup>136</sup>

### Çizelge

Akü şarj cihazı	40-C500X	40-C750X
Çıkış voltajı, V	36	36
Giriş voltajı, V	100-240	100-240
Frekans, Hz	50-60	50-60
Güç, W	500	750

## Uyumluluk Bildirimi

### Uyumluluk Bildirimi

Biz, Husqvarna AB, SE-561 82 Huskvarna, İSVEÇ, Tel: +46 36 146500 olarak tek sorumlu vasfıyla ürüne ilişkin aşağıdaki beyanlarda bulunmaktayız:

Açıklama	Lityum İyon Şarj Edilebilir Akü
Marka	Husqvarna®
Tip/Model	40-B140X, 40-B220X, 40-B330X, 40-B360X, 40-B540X
Kimlik	2026 ve sonrası tarihli seri numaraları

aşağıdaki düzenlenmiş AB direktifleri ve yönetmelikleriyle uyumludur:

Direktif/Yönetmelik	Açıklama
2014/30/AB	"elektromanyetik uyumlulukla ilgili"
2014/53/AB <sup>137</sup>	"radyo ekipmanı ile ilgili"

<sup>136</sup>

Yalnızca bir akü şarj edilirken maksimum güç 600 W'dir.

<sup>137</sup> Bluetooth® iletişimi içeren modeller için geçerlidir.

Direktif/Yönetmelik	Açıklama
(AB) 2023/1542	"aküler ve atık aküler ile ilgili"

ve aşağıdaki standartlar ve/veya teknik özellikler uygulanmıştır;

EN IEC 62133-2:2017+A1:2021

EN IEC 62133-2:2017<sup>138</sup>

IEC 63370:2022

EN 61000-6-1:2007/EN IEC 61000-6-1:2019,  
EN 61000-6-3:2007+A1:2011+AC:2012, EN IEC  
61000-6-3:2021<sup>139</sup>

ETSI EN 301 489-1 v.1.9.2, ETSI EN 301 489-17  
v.3.2.4, ETSI 300 328 v.2.2.2<sup>140</sup>

EN IEC 63000:2018

Tehlikeli maddelerin taşınmasıyla ilgili diğer testler;

UN 38.3 Baskı 7

Husqvarna, 2026-04-10



Lars Roos

AR-GE Direktörü, Akü Yetkinlik Merkezi

Husqvarna AB, İSVEÇ

Teknik dokümantasyon sorumlusu

Türk ithalat şirketi daha fazla bilgi için temas edilecek:

Çullas Orman Bahçe ve Tarım Mak. San. Tic. A.Ş.

Yalı Mah. Ziya Gökalp Cad. No:17

Maltepe – 34844 İstanbul / Türkiye

Telefon: +90 216 519 88 82

Faks: +90 216 519 88 78

info@cullas.com.tr

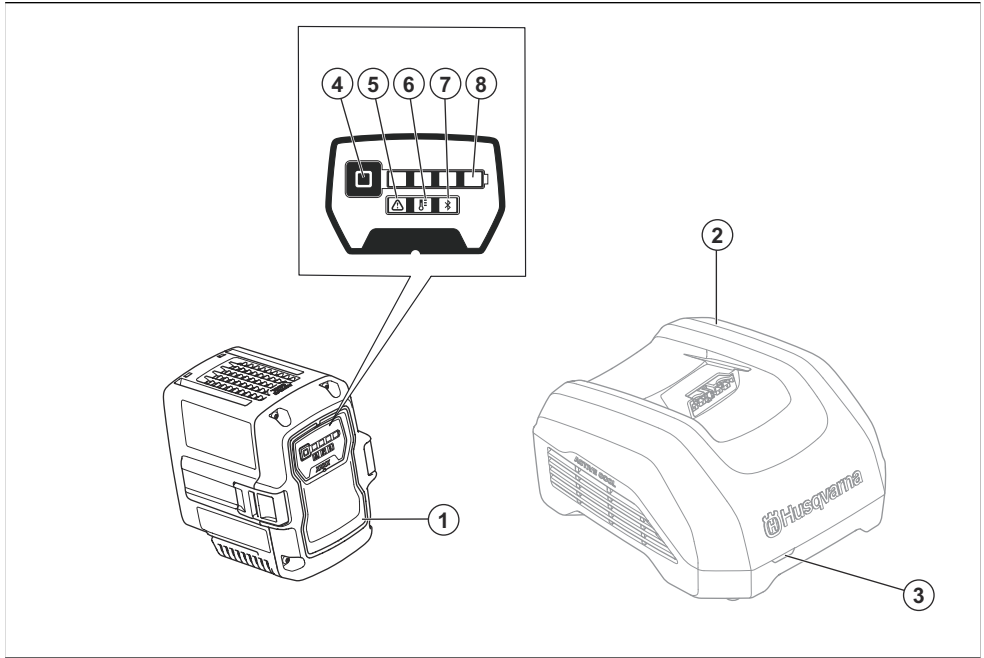


<sup>138</sup> Yalnızca 40-B220X için geçerlidir.

<sup>139</sup> EMC testi, akü kullanan çeşitli ürünler üzerinde de yapılmıştır.

<sup>140</sup> Bluetooth® iletişimi içeren modeller için geçerlidir.

## Огляд виробу



1. Акумулятор
2. Заряджальний пристрій (додаткове приладдя)
3. Індикатор заряджання та помилки
4. Кнопка рівня заряду
5. Помилка акумулятора
6. Індикатор температури акумулятора
7. Індикатор Bluetooth® (якщо є)
8. Індикатор рівня заряду

переконайтеся, що ви розумієте всі інструкції.

## Символи на виробі



Будьте обережні й використовуйте виріб належним чином. Він може спричинити серйозні травми або загибель оператора чи сторонніх осіб.



Уважно прочитайте інструкцію з експлуатації акумулятора, схваленого зарядного пристрою та бездротового виробу, у якому використовується цей акумулятор. Інструкції можна знайти на сторінці [www.husqvarna.com/support](http://www.husqvarna.com/support). Виконайте пошук за назвою моделі. Перед використанням виробу



Небезпечна напруга.



Можна використовувати під час дощу.



Захищено від бризок води.



Цей виріб відповідає чинним директивам і регламентам ЄС.



Утилізацію виробу необхідно проводити на відповідному підприємстві з переробки відходів електричного й електронного обладнання.



Цей виріб і його пакування не можна утилізувати разом із побутовими відходами.



Не занурюйте акумулятор у воду.



Якщо виріб оснащено бездротовою технологією *Bluetooth*<sup>®</sup>, то на паспортній табличці виробу буде вказано символ *Bluetooth*<sup>®</sup>. Див. *Технологія бездротового зв'язку Bluetooth*<sup>®</sup> на сторінці 206.

**Зверніть увагу:** Інші позначення / бирки на виробі стосуються сертифікаційних вимог для певних торгових зон.

## Опис виробу

Husqvarna 40-B140X, 40-B220X, 40-B330X, 40-B360X, 40-B540X — це портативний літій-іонний акумулятор на 36 В для акумуляторних інструментів Husqvarna.

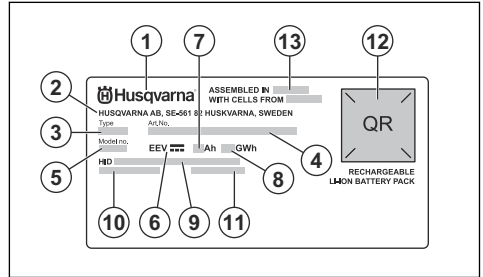
У межах безперервного процесу вдосконалення продукції компанія Husqvarna залишає за собою право змінювати дизайн і/або зовнішній вигляд виробів без попередження.

## Призначення

Ці акумулятори призначені для акумуляторних інструментів Husqvarna. Ознайомтеся з посібником з експлуатації електроінструмента, щоб переконатися, що акумулятор схвалено для використання із цим електроінструментом.

**Зверніть увагу:** Дотримуйтеся вимог державних чи місцевих норм, Дотримуйтеся чинних норм. Ці акумулятори призначені для використання зі схваленими зарядними пристроями. Див. *Сертифіковані зарядні пристрої на сторінці 208.*

## Паспортна табличка



1. Бренд
2. Адреса виробника
3. Тип
4. Артикул
5. Номер моделі
6. Напруга, В
7. Ампер-години
8. Ват-години
9. Ідентифікатор Husqvarna (HID)
10. Тип елемента акумулятора
11. Серійний номер із датою виготовлення
12. Сканований код
13. Країна збирання

## Безпека

### Роз'яснення термінології щодо безпеки

Попередження, застереження й примітки використовуються для наголошення на особливо важливих положеннях посібника.



**ПОПЕРЕДЖЕННЯ:** Указує на те, що в разі порушення інструкцій, наведених у цьому посібнику, існує небезпека поранення або смерті оператора чи інших осіб, що знаходяться поруч.



**УВАГА:** Вказує на те, що в разі недотримання інструкцій, наведених у цьому посібнику, існує небезпека

пошкодження виробу, інших матеріалів або навколишніх об'єктів.

**Зверніть увагу:** Використовується для надання додаткової інформації щодо певної ситуації.

### Важливі правила техніки безпеки



**ПОПЕРЕДЖЕННЯ:** Прочитайте всі попередження й інструкції. Недотримання попереджень й інструкцій може призвести до ураження електричним струмом, пожежі та/або тяжких травм.

---

**Зверніть увагу:** Збережіть усі попередження й інструкції.

---

- Оригінальні акумулятори Husqvarna слід заряджати лише за допомогою схвалених зарядних пристроїв Husqvarna. Акумулятори програмно закодовані.
- Використовуйте акумулятори, схвалені Husqvarna, лише для живлення відповідних виробів Husqvarna. Щоб уникнути травмування, заборонено використовувати акумулятор як джерело живлення для інших приладів.
- Заборонено розбирати чи ремонтувати акумулятор. Усі ремонтні роботи має виконувати лише вповноважений дилер.
- Тримайте акумулятор подалі від прямих сонячних променів, джерел тепла й відкритого вогню. Акумулятор може призвести до опіків та/або хімічних опіків.

- Не використовуйте пошкоджений акумулятор або зарядний пристрій.
- Не допускайте механічних ударів по акумулятору.
- Тримайте акумулятор подалі від дітей.
- Слідкуйте за тим, щоб акумулятор був чистим і сухим.
- Якщо контакти акумуляторного блока забруднилися, протріть їх сухою чистою тканиною.
- Коли акумулятор повністю зарядиться, витягніть його із зарядного пристрою.
- Вийміть акумулятор із виробу, якщо він наразі не використовується або транспортується.
- Зберігайте акумулятори подалі від металевих предметів на кшталт цвяхів, гвинтів чи ювелірних виробів.

---

## Експлуатація

---

### Експлуатація

- Використовуйте та зберігайте акумулятор лише за рекомендованого діапазону температур. Див. *Рекомендований діапазон температур на сторінці 208.*
- Натисніть кнопку рівня заряду, щоб запустити акумулятор перед використанням.
- Перед першим використанням акумулятора його обов'язково слід зарядити. Завжди використовуйте зарядний пристрій, схвалений Husqvarna. Див. *Сертифіковані зарядні пристрої на сторінці 208.*
- Якщо блимає індикатор температури акумулятора, зменште робоче навантаження та/або швидкість.
- Натисніть кнопку рівня заряду, щоб дізнатися рівень заряду акумулятора.

### Husqvarna Connect

Husqvarna Connect є безкоштовною програмою для мобільного пристрою. У програмі Husqvarna Connect доступна низка розширених функцій для користування Husqvarna.

- розширена інформація про виріб;
- відомості про деталі й обслуговування виробу, а також довідкова інформація.

Щоб отримати детальнішу інформацію про Husqvarna Connect, див. [www.husqvarna.com](http://www.husqvarna.com).

---

**Зверніть увагу:** У деяких країнах програма Husqvarna Connect може бути недоступною для завантаження. По додаткову інформацію звертайтеся до свого дилера з обслуговування.

---

### Щоб почати користуватися Husqvarna Connect

1. Завантажте застосунок Husqvarna Connect на свій мобільний пристрій.
2. Зареєструйтеся в програмі Husqvarna Connect.
3. Щоб додати виріб, виконайте вказівки, наведені в програмі Husqvarna Connect.

---

**Зверніть увагу:** У деяких країнах програма Husqvarna Connect може бути недоступною для завантаження. По додаткову інформацію звертайтеся до свого дилера з обслуговування.

---

### Husqvarna Fleet Services™

Husqvarna Fleet Services™ – це хмарне рішення, що надає спеціалісту з керування парком пристроїв можливість оглядати всі вироби. Husqvarna Fleet Services™ доступне як вебсервіс і як програма. Щоб отримати детальнішу інформацію про Husqvarna Fleet Services™, див. [www.husqvarna.com](http://www.husqvarna.com).

---

**Зверніть увагу:** У деяких регіонах хмарне рішення Husqvarna Fleet Services™ може бути недоступним.

---

### Під'єднання виробу до Husqvarna Fleet Services™

1. Завантажте програму Husqvarna Fleet Services™ на свій мобільний пристрій.
2. Увійдіть в обліковий запис у програмі Husqvarna Fleet Services™.
3. Виконуйте інструкції щодо сполучення виробу з Husqvarna Fleet Services™.

## Технологія бездротового зв'язку Bluetooth®

Вироби з вбудованою технологією бездротового зв'язку Bluetooth® можна підключати до мобільних пристроїв.

Коли мобільний пристрій підключено до виробу, з'являється символ технології бездротового зв'язку Bluetooth®.



**Зверніть увагу:** Цей пристрій оцінювався на відповідність чинним вимогам щодо впливу радіочастотного (РЧ) випромінювання. Пристрій можна без обмежень використовувати в умовах впливу портативних приладів.

## Оновлення вбудованого ПЗ бездротовим способом (для акумуляторів із вбудованим Bluetooth®)

В акумуляторах із Bluetooth® нове вбудоване програмне забезпечення завантажувється та встановлюється автоматично.

- Завантаження починається, коли доступне нове вбудоване програмне забезпечення і акумулятор підключено до Husqvarna Connect або Husqvarna Fleet Services™.
- Коли акумулятор під'єднано, на активному дисплеї відображається індикатор Bluetooth®.
- Завантаження вбудованого програмного забезпечення займає 10–15 хвилин. У разі зупинення або помилки завантаження акумулятор спробує завантажити вбудоване програмне забезпечення знову.
- Встановлення вбудованого програмного забезпечення починається, коли завантаження завершено, а акумулятор не використовується і не заряджається.

- Під час встановлення вбудованого програмного забезпечення блимають індикатори рівня заряду. Встановлення вбудованого програмного забезпечення займає 10–15 секунд.

## Заряджання акумулятора

Перед першим використанням акумулятор потрібно зарядити. Новий акумулятор заряджено на 30 %. Натисніть кнопку рівня заряду, щоб дізнатися рівень заряду акумулятора. Використовуйте та зберігайте акумулятор лише за рекомендованого діапазону температур. Див. *Рекомендований діапазон температур на сторінці 208.*

1. Уставте акумулятор у заряджальний пристрій. Коли індикатор заряджання на зарядному пристрої вмикається, це означає, що акумулятор правильно під'єднаний до зарядного пристрою.
2. Якщо всі індикатори рівня заряду на акумуляторі світяться, акумулятор повністю заряджено.
3. Вийміть акумулятор із зарядного пристрою.

## Стан заряджання акумулятора

Літій-іонний акумулятор Husqvarna можна заряджати та використовувати за будь-якого рівня зарядки.

Індикатори рівня заряду	Стан акумулятора (рівень заряду)
Світяться 4 індикатори	Акумулятор заряджений на 76–100 %.
Світяться 3 індикатори	Акумулятор заряджений на 51–75 %.
Світяться 2 індикатори	Акумулятор заряджений на 26–50 %.
Світиться 1 індикатор	Акумулятор заряджений на 11–25 %.
Блимає 1 індикатор	Акумулятор заряджений на 0–10 %.

## Усунення несправностей

### Усунення несправностей

Ознаки	Причина	Дія
Блимає один індикатор рівня заряду. На виробі із деякими версіями вбудованого програмного забезпечення також блимає індикатор помилки акумулятора.	Акумулятор розряджений.	Зарядіть акумулятор.

Ознаки	Причина	Дія
Блимає індикатор помилки акумулятора.	Велике робоче навантаження в поєднанні з дуже низькою температурою акумулятора.	Нагрійте акумулятор. Наприклад, занесіть його в приміщення або працюйте на низькій швидкості, доки акумулятор не нагріється.
	Акумулятор не працює. Робочий діапазон акумулятора на межі.	Вийміть акумулятор із виробу. Зачекайте 5 хвилин. Натисніть кнопку рівня заряду.
Світиться індикатор температури акумулятора.	Акумулятор надто холодний або надто гарячий для використання.	Зберігайте акумулятор за температури від $-10\text{ }^{\circ}\text{C}$ ( $14\text{ }^{\circ}\text{F}$ ) до $40\text{ }^{\circ}\text{C}$ ( $104\text{ }^{\circ}\text{F}$ ). Коли температура акумулятора досягне прийнятних значень, його можна буде знову використовувати.
Індикатор температури акумулятора блимає.	Акумулятор майже досяг межі температури.	Зменште швидкість та/або робоче навантаження. Для забезпечення оптимальної продуктивності акумулятора зберігайте його за температури від $+10\text{ }^{\circ}\text{C}$ ( $50\text{ }^{\circ}\text{F}$ ) до $+30\text{ }^{\circ}\text{C}$ ( $86\text{ }^{\circ}\text{F}$ ).
Коли акумулятор вставлено в зарядний пристрій, світиться індикатор температури акумулятора.	Акумулятор є надто холодним або надто гарячим для заряджання.	Дайте акумулятору охолонути або віднесіть його в приміщення, щоб підігріти. Коли температура акумулятора досягне прийнятних значень, його можна буде знову заряджати. Використовуйте зарядний пристрій лише за температури від $5\text{ }^{\circ}\text{C}$ ( $41\text{ }^{\circ}\text{F}$ ) до $40\text{ }^{\circ}\text{C}$ ( $104\text{ }^{\circ}\text{F}$ ). Не залишайте зарядний пристрій на сонці. Якщо усунути проблему не вдасться, зверніться до дилера.
СВІТІТЬСЯ індикатор помилки акумулятора.	Критична помилка акумулятора.	Зверніться до дилера з обслуговування Husqvarna.

## Транспортування, зберігання й утилізація

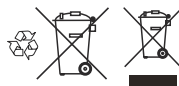
### Транспортування та зберігання

- На літій-іонні акумулятори поширюються правила щодо безпечного вантажу.
- У разі комерційного перевезення дотримуйтеся спеціальних вимог щодо пакування та маркування (це правило також стосується третіх осіб і експедиторів).
- Перш ніж відправляти виріб, проконсультуйтеся з особою, що пройшла спеціальну підготовку щодо поводження з небезпечними матеріалами. Дотримуйтеся всіх застосованих національних норм і правил.
- Перед пакуванням акумулятора ізолюйте контакти. Зафіксуйте акумулятор у пакуванні, щоб запобігти його пошкодженню.
- Заборонено зберігати акумулятор у місці, де можуть утворюватися статичні заряди. Не зберігайте акумулятор у металевій коробці.
- Зберігайте акумулятор у сухому, захищеному від морозу й чистому приміщенні з відповідною температурою.
- Використовуйте та зберігайте акумулятор лише за рекомендованого діапазону температур. Див. *Рекомендований діапазон температур на сторінці 208*.
- Перед довготривалим зберіганням акумулятор необхідно зарядити на 30–50 %.
- Перед зберіганням переконайтеся, що акумулятор чистий.

## Утилізація

Цей символ означає, що цей виріб не можна утилізувати разом із побутовими відходами. Утилізуйте його через місцевий пункт збору електричного й електронного обладнання. Це сприяє правильному управлінню відходами. Зверніться до місцевих органів влади, служби збору побутових відходів, вашого дилера або роздрібного продавця для отримання інформації. Оскільки виріб може містити небезпечні речовини, його неправильна

утилізація може нашкодити довкіллю і здоров'ю людей.



**Зверніть увагу:** Символ нанесений на виріб чи упаковку виробу.

## Технічні характеристики

### Зареєстровані товарні знаки

Слово й логотипи *Bluetooth®* є зареєстрованими товарними знаками, що належать компанії *Bluetooth S/G, inc.* і використовуються компанією Husqvarna виключно за ліцензією.

### Технічні характеристики

Частотний діапазон, МГц	2400–2483,5
Максимальна потужність передачі, дБм	4

Технічні дані наведено в паспортній табличці акумулятора.

### Рекомендований діапазон температур



**УВАГА:** Коли температура акумулятора нижче 0 °C (32 °F), велике

### Сертифіковані зарядні пристрої

Табл.

Зарядний пристрій	QC330	QC500	40-C500X	40-C750X	40-C1000X4
Вихід напруга, В	36	36	36	36	36
Вхідна напруга, В	100–240	100–240	100–240	100–240	100–240
Частота, Гц	50–60	50–60	50–60	50–60	50–60
Потужність, Вт	330	500	500	750	1000 <sup>141</sup>

робоче навантаження може спричинити тимчасову відмову акумулятора.



**УВАГА:** Використовуйте та зберігайте акумулятор лише за рекомендованого діапазону температур. Якщо температура виходить за межі цього діапазону, акумулятор не працюватиме належним чином.



**УВАГА:** Акумулятор не заряджається, якщо його температура виходить за межі рекомендованого діапазону температур.

Температура експлуатації	Температура заряджання	Температура зберігання
-10–40 °C / 14–104 °F	5–40 °C / 41–104 °F	5–25 °C / 41–77 °F

Табл.

Зарядний пристрій	40-C500X	40-C750X
Вихід напруга, В	36	36
Вхідна напруга, В	100–240	100–240
Частота, Гц	50–60	50–60
Потужність, Вт	500	750

## Декларація відповідності

### Декларація відповідності

заявляємо під свою виключну відповідальність, що представлений виріб:

Ми, компанія Husqvarna AB, SE-561 82  
Husqvarna, SWEDEN (Швеція), тел.: +46-36-146500,

Опис	Літій-іонний акумулятор
Бренд	Husqvarna®
Тип / модель	40-B140X, 40-B220X, 40-B330X, 40-B360X, 40-B540X
Ідентифікація	Серійні номери за 2026 рік і пізніше

відповідає наведеним нижче директивам і нормативним актам ЄС із поправками:

Директива / норма	Опис
2014/30/EU	«Про електромагнітну сумісність»
2014/53/EU <sup>142</sup>	«Про радіотехнічне обладнання»
(ЄС) 2023/1542	«Про акумулятори»

і що до нього застосовуються вказані далі узгоджені стандарти та/або технічні специфікації:

EN IEC 62133-2:2017+A1:2021

EN IEC 62133-2:2017<sup>143</sup>

IEC 63370:2022

EN 61000-6-1:2007/EN IEC 61000-6-1:2019,  
EN 61000-6-3:2007+A1:2011+AC:2012, EN IEC  
61000-6-3:2021<sup>144</sup>

ETSI EN 301 489-1 v.1.9.2, ETSI EN 301 489-17  
v.3.2.4, ETSI 300 328 v.2.2.2<sup>145</sup>

EN IEC 63000:2018

Інші випробування, пов'язані з перевезенням небезпечних товарів;

UN 38.3, редакція 7

Husqvarna, 10.04.2026

<sup>142</sup> Стосується версій, які мають функцію зв'язку Bluetooth®.

<sup>143</sup> Стосується лише моделі 40-B220X.

<sup>144</sup> Випробування на електромагнітну сумісність також проводилися на різних виробках, у яких використовується акумулятор.

<sup>145</sup> Стосується версій, які мають функцію зв'язку Bluetooth®.

Ларс Роос (Lars Roos)

Директор відділу НДДКР, Центр компетенції з  
розробки акумуляторів

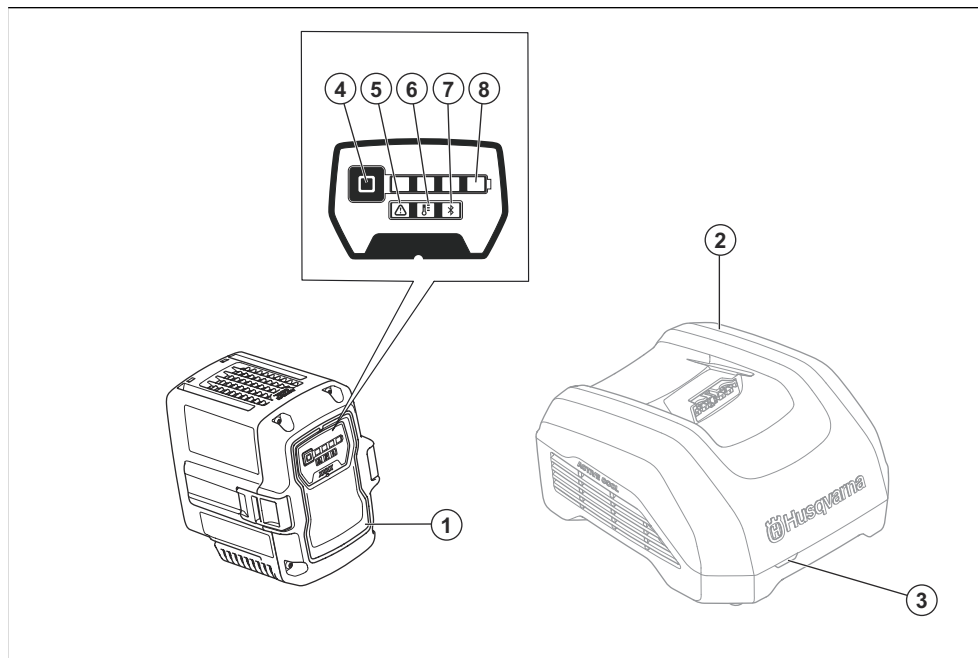
Husqvarna AB, SWEDEN (Швеція)

Відповідальний за технічну документацію



# Giới thiệu

## Tổng quan về sản phẩm



1. Pin
2. Bộ sạc pin (phụ kiện)
3. Chỉ báo sạc và lỗi
4. Nút tình trạng sạc
5. Chỉ báo lỗi
6. Chỉ báo nhiệt độ pin
7. Chỉ báo Bluetooth® (nếu áp dụng)
8. Chỉ báo tình trạng sạc

## Các ký hiệu trên sản phẩm



Cẩn thận và sử dụng sản phẩm chính xác. Sản phẩm này có thể gây rủi ro trọng thương hoặc tử vong cho người vận hành hoặc người khác.



Đọc kỹ hướng dẫn sử dụng để biết pin, bộ sạc được phê duyệt và sản phẩm không dây sử dụng pin này. Bạn có thể tìm thấy hướng dẫn tại [www.husqvarna.com/support](http://www.husqvarna.com/support). Tìm tên kiểu máy. Đảm bảo bạn hiểu tất cả hướng dẫn trước khi sử dụng sản phẩm.



Điện áp nguy hiểm.



Có thể sử dụng dưới trời mưa.



Bảo vệ chống nước bắn.



Sản phẩm tuân theo các chỉ thị và quy định EC hiện hành.



Hãy tái chế sản phẩm tại địa điểm thải bỏ áp dụng cho thiết bị điện và điện tử.



Sản phẩm hoặc bao bì sản phẩm không phải là rác thải gia đình.



Không ngâm pin trong nước.



Nếu sản phẩm có công nghệ không dây *Bluetooth*<sup>®</sup>. Biểu tượng *Bluetooth*<sup>®</sup> sẽ được đánh dấu trên nhãn tên sản phẩm. Tham khảo *Công nghệ không dây Bluetooth*<sup>®</sup> trên trang 213.

**Lưu ý:** Những ký hiệu/đề-can khác trên sản phẩm cho biết các yêu cầu về chứng nhận dành cho một số khu vực thương mại khác.

## Mô tả sản phẩm

Husqvarna 40-B140X, 40-B220X, 40-B330X, 40-B360X, 40-B540X là pin sạc Li-ion 36 V di động cho dụng cụ chạy pin Husqvarna.

Là một phần trong quy trình phát triển sản phẩm liên tục, Husqvarna giữ quyền sửa đổi thiết kế và/hoặc hình thức sản phẩm mà không cần thông báo trước.

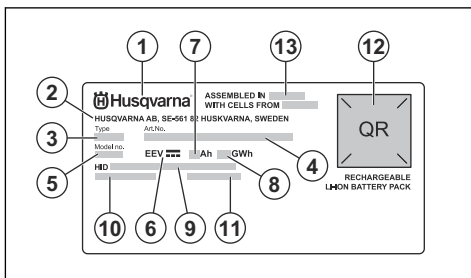
## Mục đích sử dụng

Những pin này dành cho dụng cụ chạy pin Husqvarna. Đọc hướng dẫn của dụng cụ để đảm bảo pin được phê duyệt cho dụng cụ.

**Lưu ý:** Có thể có quy định địa phương hoặc quốc gia về việc sử dụng. Tuân thủ quy định hiện hành. Những

pin này dành để sử dụng với bộ sạc pin được phê duyệt. Tham khảo *Bộ sạc pin được pin được phê duyệt trên trang 216*.

## Bảng ghi kiểu máy



1. Nhãn hiệu
2. Địa chỉ nhà sản xuất
3. Loại
4. Số hiệu sản phẩm cụ thể
5. Số hiệu kiểu máy
6. Điện áp
7. Ampe giờ
8. Oát giờ
9. Mã định danh Husqvarna (HID)
10. Loại pin
11. Số sê-ri với ngày sản xuất
12. Mã quét được
13. Quốc gia lắp ráp

## An toàn

### Định nghĩa an toàn

Cảnh báo, thận trọng và lưu ý được sử dụng để báo hiệu các phần đặc biệt quan trọng của sách hướng dẫn.



**CẢNH BÁO:** Được sử dụng khi có nguy cơ xảy ra thương tích hoặc tử vong cho người vận hành hoặc người ở gần nếu không tuân theo hướng dẫn trong sách hướng dẫn.



**CHÚ Ý:** Được sử dụng khi có nguy cơ làm hỏng sản phẩm, các vật liệu khác hoặc khu vực gần kề nếu không tuân theo hướng dẫn trong sách hướng dẫn.

**Lưu ý:** Được sử dụng để cung cấp thêm thông tin cần thiết trong tình huống cụ thể.

### Chỉ dẫn an toàn quan trọng



**CẢNH BÁO:** Đọc toàn bộ cảnh báo an toàn và toàn bộ hướng dẫn. Không tuân theo những cảnh báo và chỉ dẫn có thể gây điện giật, gây cháy và/hoặc trọng thương.

**Lưu ý:** Lưu mọi cảnh báo và chỉ dẫn.

- Chỉ sử dụng bộ sạc pin Husqvarna được phê duyệt để sạc pin chính hãng Husqvarna. Pin được mã hóa phần mềm.

- Sử dụng pin Husqvarna được phê duyệt là pin sạc làm nguồn cấp điện chỉ cho các sản phẩm Husqvarna liên quan. Để ngăn thương tích, không được sử dụng pin như là nguồn cấp điện cho các thiết bị khác.
- Không được cố gắng tháo hoặc sửa chữa pin. Mọi hoạt động sửa chữa phải do đại lý được ủy quyền thực hiện.
- Giữ pin tránh xa ánh nắng mặt trời, nhiệt hoặc ngọn lửa trần. Pin có thể gây bỏng và/hoặc bỏng hóa chất.
- Không sử dụng pin hoặc bộ sạc pin bị hỏng.

- Không được gây sốc cơ khí cho pin.
- Giữ pin tránh xa trẻ em.
- Giữ pin sạch và khô.
- Lau các cực của pin bằng vải khô sạch nếu chúng bị bẩn.
- Không được để pin trong bộ sạc pin khi đã sạc đầy.
- Tháo pin khỏi sản phẩm khi bạn không sử dụng và trong quá trình vận chuyển.
- Bảo quản pin tránh xa các vật bằng kim loại chẳng hạn như đinh, vít hoặc trang sức.

## Vận hành

### Vận hành

- Chỉ vận hành và bảo quản pin trong phạm vi nhiệt độ khuyến nghị. Tham khảo *Phạm vi nhiệt độ khuyến nghị trên trang 215*.
- Ấn nút trạng thái sạc để khởi động pin trước khi sử dụng.
- Phải sạc pin trước khi bạn sử dụng lần đầu. Chỉ sử dụng bộ sạc pin Husqvarna được phê duyệt. Tham khảo *Bộ sạc pin được pin được phê duyệt trên trang 216*.
- Giảm khối lượng công việc và/hoặc tốc độ khi chi bảo nhiệt độ pin đang nhấp nháy.
- Ấn nút trạng thái sạc để biết thông tin về tình trạng sạc pin.

### Husqvarna Connect

Husqvarna Connect là ứng dụng miễn phí cho thiết bị di động của bạn. Ứng dụng Husqvarna Connect cung cấp các chức năng mở rộng cho sản phẩm Husqvarna của bạn.

- Thông tin sản phẩm mở rộng.
- Thông tin về, và trợ giúp về các bộ phận sản phẩm và dịch vụ bảo dưỡng.

Để biết thêm thông tin về Husqvarna Connect, hãy tham khảo [www.husqvarna.com](http://www.husqvarna.com).

**Lưu ý:** Ứng dụng Husqvarna Connect không có sẵn để tải xuống ở tất cả các thị trường. Trao đổi với đại lý bảo dưỡng để biết thêm thông tin.

### Cách bắt đầu sử dụng Husqvarna Connect

1. Tải xuống ứng dụng Husqvarna Connect trên thiết bị di động của bạn.
2. Đăng ký Husqvarna Connect trong ứng dụng.
3. Làm theo các bước hướng dẫn trong ứng dụng Husqvarna Connect để thêm sản phẩm.

**Lưu ý:** Ứng dụng Husqvarna Connect không có sẵn để tải xuống ở tất cả các thị trường. Trao đổi với đại lý bảo dưỡng để biết thêm thông tin.

### Husqvarna Fleet Services™

Husqvarna Fleet Services™ là giải pháp đám mây cung cấp cho quản lý đội máy thương mại thông tin tổng quan của tất cả sản phẩm. Husqvarna Fleet Services™ có sẵn dưới dạng dịch vụ web và dạng ứng dụng. Để biết thêm thông tin về Husqvarna Fleet Services™, hãy tham khảo [www.husqvarna.com](http://www.husqvarna.com).

**Lưu ý:** Giải pháp đám mây Husqvarna Fleet Services™ không có sẵn ở tất cả thị trường.

### Cách kết nối với sản phẩm bằng Husqvarna Fleet Services™

1. Tải ứng dụng Husqvarna Fleet Services™ xuống thiết bị di động của bạn.
2. Đăng nhập vào ứng dụng Husqvarna Fleet Services™.
3. Làm theo chỉ dẫn về cách ghép đôi sản phẩm với Husqvarna Fleet Services™.

### Công nghệ không dây Bluetooth®

Sản phẩm có công nghệ không dây Bluetooth® tích hợp có thể kết nối với thiết bị di động.

Biểu tượng cho công nghệ không dây *Bluetooth®* sáng lên khi thiết bị di động của bạn được kết nối với sản phẩm.



**Lưu ý:** Thiết bị này đã được đánh giá tuân thủ các yêu cầu về tiếp xúc với Tần số vô tuyến (RT) hiện hành. Có thể sử dụng thiết bị trong điều kiện tiếp xúc di động mà không gặp hạn chế.

### Cập nhật firmware qua vô tuyến (đối với pin có Bluetooth® tích hợp sẵn)

Pin có Bluetooth® sẽ tải xuống và cài đặt firmware mới tự động.

- Tải xuống bắt đầu khi firmware mới có sẵn và pin được kết nối với Husqvarna Connect hoặc Husqvarna Fleet Services™.
- Chỉ báo Bluetooth® cho phép thời điểm pin được kết nối trong khi pin hiển thị đang hoạt động.
- Quá trình tải xuống firmware mất 10-15 phút. Nếu tải xuống dừng lại hoặc thất bại, pin sẽ thử tải xuống firmware lần nữa.
- Việc cài đặt firmware bắt đầu khi tải xuống hoàn tất và pin không được sử dụng hay đang sạc.
- Chỉ báo tình trạng sạc nhấp nháy trong khi cài đặt firmware. Quá trình cài đặt firmware mất 10-15 giây.

### Cách sạc pin

Sạc pin trước khi vận hành lần đầu. Pin mới được sạc đến 30%. Ấn nút trạng thái sạc để biết thông tin về tình trạng sạc pin. Chỉ vận hành và bảo quản pin trong phạm vi nhiệt độ khuyến nghị. Tham khảo *Phạm vi nhiệt độ khuyến nghị trên trang 215*.

1. Lắp pin vào bộ sạc pin. Khi chỉ báo sạc trên bộ sạc pin sáng lên, pin được kết nối chính xác với bộ sạc pin.

2. Pin được sạc đầy khi tất cả chỉ báo sạc trên pin đều sáng.
3. Tháo pin khỏi bộ sạc pin.

### Trạng thái sạc pin

Có thể sạc hoặc sử dụng pin Li-ion Husqvarna ở tất cả mức sạc.

Chỉ báo tình trạng sạc	Trạng thái pin (tình trạng sạc)
4 chỉ báo sáng	Pin 76% – sạc được 100%.
3 chỉ báo sáng	Pin 51% – sạc được 75%.
2 chỉ báo sáng	Pin 26% – sạc được 50%.
1 chỉ báo sáng	Pin 11% – sạc được 25%.
1 chỉ báo nhấp nháy	Pin 0% – sạc được 10%.

## Khắc phục sự cố

### Khắc phục sự cố

Triệu chứng	Nguyên nhân	Hành động
Một chỉ báo tình trạng sạc nhấp nháy. Đối với sản phẩm có một số phiên bản firmware, chỉ báo lỗi pin cũng sẽ nhấp nháy.	Pin cạn.	Sạc pin.
Chỉ báo lỗi của pin nhấp nháy.	Khối lượng công việc nặng kết hợp với nhiệt độ pin rất thấp.	Làm ấm pin. Ví dụ: di chuyển vào nhà hoặc vận hành ở tốc độ thấp đến khi pin ấm lên.
	Pin không hoạt động. Phạm vi hoạt động của pin đạt giới hạn của pin.	Tháo pin khỏi sản phẩm. Chờ 5 phút. Ấn nút trạng thái sạc.
Chỉ báo nhiệt độ pin BẬT.	Pin quá lạnh hoặc quá nóng để sử dụng.	Giữ pin ở nhiệt độ môi trường từ -10°C (14°F) đến 40°C (104°F). Khi pin ở đúng nhiệt độ, bạn có thể tiếp tục sử dụng.
Chỉ báo nhiệt độ pin nhấp nháy.	Pin ở gần giới hạn nhiệt độ.	Giảm tốc độ và/hoặc khối lượng công việc. Giữ pin ở nhiệt độ môi trường ưu tiên +10°C (50°F) đến +30°C (86°F) để có hiệu suất tối ưu.
Chỉ báo nhiệt độ pin BẬT trong khi pin nằm trong bộ sạc.	Sai lệch nhiệt độ, pin quá lạnh hoặc quá nóng để sạc.	Đề pin nguội hoặc đem pin vào trong nhà để làm ấm pin. Khi pin ở đúng nhiệt độ, bạn có thể sạc lại. Đảm bảo sử dụng bộ sạc ở nơi có nhiệt độ xung quanh từ 5°C (41°F) đến 40°C (104°F). Giữ bộ sạc tránh ánh nắng. Nếu vấn đề tiếp tục, hãy trao đổi với đại lý của bạn.

Triệu chứng	Nguyên nhân	Hành động
Chỉ báo lỗi của pin sáng lên.	Pin gặp lỗi nghiêm trọng.	Trao đổi với đại lý bảo dưỡng Husqvarna của bạn.

## Vận chuyển, bảo quản và thải bỏ

### Vận chuyển và bảo quản

- Pin Li-ion được cấp tuân thủ các yêu cầu Pháp chế về hàng hóa nguy hiểm.
- Tuân thủ yêu cầu đặc biệt trên bao bì và nhãn cho vận chuyển thương mại, cũng như yêu cầu từ các bên thứ ba và đại lý vận tải.
- Trao đổi với người được đào tạo đặc biệt về vật liệu nguy hiểm trước khi bạn gửi sản phẩm. Tuân thủ tất cả các quy định áp dụng của quốc gia.
- Sử dụng băng trên các cực tiếp xúc khi bạn đặt pin vào gói. Đặt pin vào gói thật khít để ngăn hư hỏng và sự cố.
- Không bảo quản pin ở những vị trí có thể xảy ra điện tĩnh. Không được bảo quản pin trong hộp kim loại.
- Đặt pin ở nơi khô ráo, không đóng băng và sạch sẽ với nhiệt độ chính xác.
- Chỉ vận hành và bảo quản pin trong phạm vi nhiệt độ khuyến nghị. Tham khảo *Phạm vi nhiệt độ khuyến nghị trên trang 215*.
- Sạc pin từ 30% đến 50% trước khi bảo quản pin trong thời gian dài.

- Vệ sinh pin trước khi bảo quản.

### Thải bỏ

Biểu tượng nghĩa là sản phẩm không phải là rác thải gia đình. Tái chế sản phẩm thông qua hệ thống thu gom địa phương dành cho thiết bị điện và điện tử. Hành động này góp phần vào việc quản lý đúng cách rác thải hết hạn sử dụng. Liên lạc với các cơ quan quản lý địa phương, dịch vụ rác thải nhà ở, đại lý hoặc nhà bán lẻ của bạn để biết thông tin. Thải bỏ không chính xác tiềm ẩn ảnh hưởng tiêu cực lên môi trường và sức khỏe con người do sự hiện diện tiềm ẩn của các chất nguy hiểm.



**Lưu ý:** Biểu tượng nằm trên sản phẩm hoặc bao bì sản phẩm.

## Dữ liệu kỹ thuật

### Nhãn hiệu đã đăng ký

Biểu trưng và logo *Bluetooth®* là các nhãn hiệu đã đăng ký thuộc sở hữu của *Bluetooth SIG, inc.* và mọi việc sử dụng các biểu trưng như vậy bởi Husqvarna theo giấy phép.

### Dữ liệu kỹ thuật

Dải tần số, GHz	2400 – 2483,5
Công suất truyền tối đa, dBm	4

Để biết dữ liệu kỹ thuật khác, hãy tham khảo biển thông số của pin.

### Phạm vi nhiệt độ khuyến nghị



**CHÚ Ý:** Khối lượng công việc nặng khi nhiệt độ pin dưới 0°C (32°F) có thể gây lỗi pin tạm thời.



**CHÚ Ý:** Chỉ vận hành và bảo quản pin trong phạm vi nhiệt độ khuyến nghị. Nếu nhiệt độ không nằm trong phạm vi này, pin sẽ không hoạt động đúng.



**CHÚ Ý:** Pin không sạc nếu nhiệt độ pin không nằm trong phạm vi nhiệt độ khuyến nghị.

Nhiệt độ sử dụng	Nhiệt độ sạc	Nhiệt độ bảo quản
-10–40°C / 14–104°F	5–40°C / 41–104°F	5–25°C / 41–77°F

## Bộ sạc pin được pin được phê duyệt

Bảng 59: Bộ sạc pin được phê duyệt cho 40-B140X, 40-B220X, 40-B330X

Bộ sạc pin	QC330	QC500	40-C500X	40-C750X	40-C1000X4
Điện áp đầu ra, V	36	36	36	36	36
Điện áp đầu vào, V	100–240	100–240	100–240	100–240	100–240
Tần số, Hz	50–60	50–60	50–60	50–60	50–60
Công suất, W	330	500	500	750	1000 <sup>146</sup>

Bảng 60: Bộ sạc pin được phê duyệt cho 40-B360X, 40-B540X

Bộ sạc pin	40-C500X	40-C750X
Điện áp đầu ra, V	36	36
Điện áp đầu vào, V	100–240	100–240
Tần số, Hz	50–60	50–60
Công suất, W	500	750

## Tuyên bố tuân thủ tiêu chuẩn

### Tuyên bố tuân thủ tiêu chuẩn

Chúng tôi, Husqvarna AB, SE-561 82 Huskvarna, THUY  
ĐIỂN, Sdt: +46 36 146500, tuyên bố trên tinh thần hoàn  
toàn chịu trách nhiệm rằng sản phẩm:

<b>Mô tả</b>	<b>Pin sạc Li-ion</b>
<b>Nhãn hiệu</b>	Husqvarna®
<b>Loại/Kiểu máy</b>	40-B140X, 40-B220X, 40-B330X, 40-B360X, 40-B540X
<b>Nhận dạng</b>	Các số xê-ri từ 2026 trở đi

tuân thủ các chỉ thị và quy định sửa đổi sau đây của  
Liên minh châu Âu:

Chỉ thị/Quy định	Mô tả
2014/30/EU	"về sự tương thích điện từ"
2014/53/EU <sup>147</sup>	"về thiết bị vô tuyến"

<sup>146</sup>

Công suất tối đa khi chỉ sạc một pin là 600 W.

<sup>147</sup> Áp dụng cho các phiên bản bao gồm giao tiếp Bluetooth®.

Chỉ thị/Quy định	Mô tả
(EU) 2023/1542	"về pin và rác thải pin"

và các tiêu chuẩn và/hoặc thông số kỹ thuật sau đây được áp dụng;

EN IEC 62133-2:2017+A1:2021

EN IEC 62133-2:2017<sup>148</sup>

IEC 63370:2022

EN 61000-6-1:2007/EN IEC 61000-6-1:2019,  
EN 61000-6-3:2007+A1:2011+AC:2012, EN IEC  
61000-6-3:2021<sup>149</sup>

ETSI EN 301 489-1 v.1.9.2, ETSI EN 301 489-17  
v.3.2.4, ETSI 300 328 v.2.2.2<sup>150</sup>

EN IEC 63000:2018

Kiểm tra khác khi liên quan đến việc vận chuyển hàng  
hóa nguy hiểm;

UN 38.3 Phiên bản 7

Huskvarna, 2026-04-10



Lars Roos

Giám đốc Nghiên cứu và Phát triển, Trung tâm năng lực  
pin

Husqvarna AB, THỤY ĐIỂN

Chịu trách nhiệm về tài liệu kỹ thuật



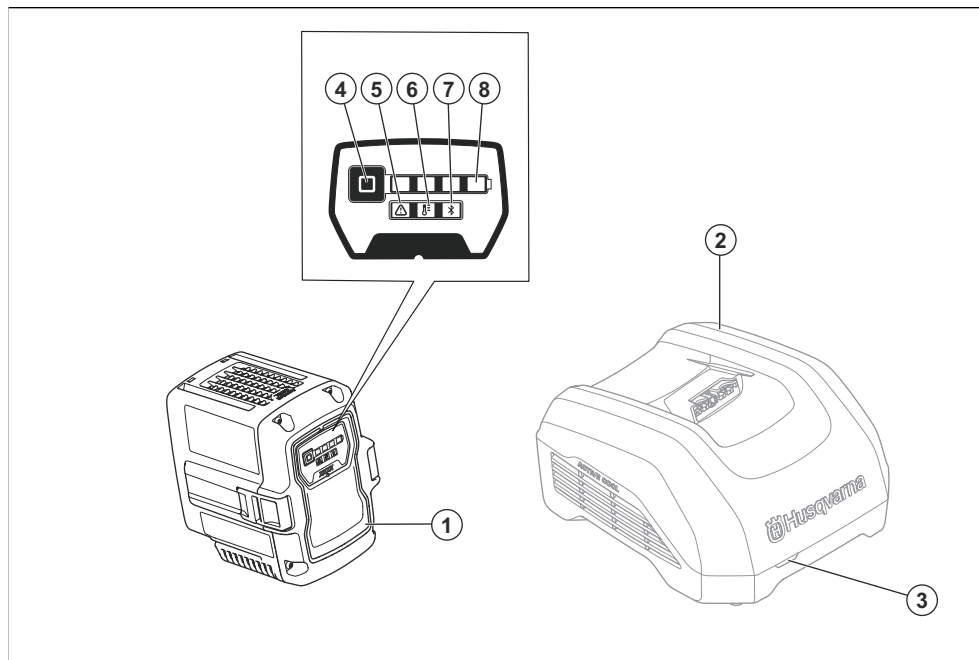
<sup>148</sup> Chỉ áp dụng cho 40-B220X.

<sup>149</sup> Kiểm tra EMC cũng được thực hiện trên các sản phẩm khác nhau sử dụng pin này.

<sup>150</sup> Áp dụng cho các phiên bản bao gồm giao tiếp Bluetooth®.

# 简介

## 产品概览



1. 电池
2. 电池充电器（附件）
3. 充电和错误指示灯
4. 电量按钮
5. 错误指示灯
6. 电池温度指示灯
7. Bluetooth® 指示灯（如适用）
8. 电量指示灯

## 本产品上的符号



请多加小心，并正确使用本产品。本产品可能会对操作员或其他人造成严重伤害或死亡。



请仔细阅读电池及其支持的充电器和无绳产品的操作手册。您可以访问 [www.husqvarna.com/support](http://www.husqvarna.com/support) 查找相关手册。在页面中搜索型号名称进行查找。使用本产品之前，请确保您已理解所有操作说明。



危险电压。



可在雨天使用。



防水溅。



本产品符合适用的 EC 指令和法规。



请将本产品送至适当的电气和电子设备废弃处理点进行回收。



本产品或产品包装不属于生活垃圾。



不要将电池浸入水中。



如果本产品采用了 Bluetooth® 无线技术。产品铭牌上将标有 Bluetooth® 符号。请参阅 Bluetooth® 无线技术 在第 220 页上。

**注意：** 产品上的其他符号/标识对应于某些商用领域的认证要求。

## 产品说明

Husqvarna 40-B140X, 40-B220X, 40-B330X, 40-B360X, 40-B540X 是一款便携式可充电 36 V 锂电池，适配 Husqvarna 电池动力工具。

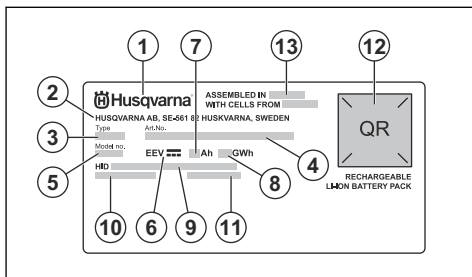
作为产品持续开发流程的一部分，Husqvarna 保留修改产品设计和/或外观的权利，恕不事先通知。

## 预期用途

这些电池专门用于 Husqvarna 动力工具。请阅读电动工具手册，确保该电池获准用于该电动工具。

**注意：** 本产品的使用可能受到国家或地方法规的管制。请遵守适用法规。这些电池可与认可的充电器配合使用。请参阅认可的充电器在第 222 页上。

## 标牌



1. 品牌
2. 制造商地址
3. 类型
4. 货号
5. 产品型号
6. 电压
7. 安培-小时
8. 瓦特-小时
9. Husqvarna 富世华标识 (HID)
10. 电芯类型
11. 序列号及制造日期
12. 扫描码
13. 装配国家/地区

## 安全性

### 安全定义

本手册使用了“警告”、“小心”和“注意”来指出特别重要的内容。



**警告：** 当不遵守手册中的说明可能会给操作员或周围人员带来伤害或死亡风险时，会使用此标志。



**小心：** 当不遵守手册中的说明可能会对产品、其他材料或附近区域造成损坏时，会使用此标志。

**注意：** 用于提供特定状况下所需的更多信息。

### 重要安全须知



**警告：** 请阅读所有安全警告和所有说明。如不遵循警告和说明，可能会导致触电、火灾和/或严重伤害。

**注意：** 保存所有警告和说明。

- 只能使用 Husqvarna 批准的充电器为 Husqvarna 原装电池充电。电池已通过软件进行加密。
- 仅为相关的 Husqvarna 产品使用 Husqvarna 批准的可充电电池作为电源。为避免造成伤害，请勿将这些电池作为电源用于其他装置。
- 切勿尝试拆解或维修电池。所有的维修工作只能由获得批准的经销商执行。
- 使电池远离阳光、热源或明火。电池可能导致烧伤和/或化学烧伤。
- 切勿使用损坏的电池或电池充电器。
- 请勿对电池造成机械冲击。

- 使电池远离儿童。
- 保持电池清洁干燥。
- 如果电池端子脏污，使用清洁的干布擦拭。
- 当电池充满电后，请勿将电池继续留在电池充电器中。

- 当您不使用产品或在运输产品期间，请将电池从产品中取出。
- 电池在存放时应远离金属物体，如钉子、螺钉或珠宝。

## 操作

### 操作

- 仅在推荐温度范围内使用和存放电池。请参阅 *建议的温度范围* 在第 222 页上。
- 使用前，按下电量状态按钮以接通电池。
- 首次使用电池之前必须先为其充电。务必使用 Husqvarna 批准的电池充电器。请参阅 *认可的充电器* 在第 222 页上。
- 如果电池温度指示灯闪烁，请降低工作负载和/或速度。
- 按下电量状态按钮可查看电池的电量状态。

### Husqvarna Connect

Husqvarna Connect 是一款可在移动设备上使用的免费应用程序。Husqvarna Connect 应用程序可为您的 Husqvarna 产品提供扩展功能。

- 扩展产品信息。
- 关于帮助、产品零件和保养的信息。

有关 Husqvarna Connect 的更多信息，请参阅 [www.husqvarna.com](http://www.husqvarna.com)。

**注意：**并非所有市场都提供 Husqvarna Connect 应用程序下载。欲了解更多信息，请与您的保养代理商联系。

### 开始使用 Husqvarna Connect

1. 将 Husqvarna Connect 应用程序下载至您的移动设备。
2. 在 Husqvarna Connect 应用程序中注册。
3. 按照 Husqvarna Connect 应用程序中的说明步骤添加产品。

**注意：**并非所有市场都提供 Husqvarna Connect 应用程序下载。欲了解更多信息，请与您的保养代理商联系。

### Husqvarna Fleet Services™

Husqvarna Fleet Services™ 是一款云解决方案，可以为商业机队经理提供所有产品的概览。Husqvarna Fleet Services™ 作为 web 服务和应用程序提供。有关 Husqvarna Fleet Services™ 的更多信息，请参阅 [www.husqvarna.com](http://www.husqvarna.com)。

**注意：**并非所有市场都提供 Husqvarna Fleet Services™ 云解决方案。

### 通过 Husqvarna Fleet Services™ 连接到产品

1. 将 Husqvarna Fleet Services™ 应用程序下载至您的移动设备。
2. 登录到 Husqvarna Fleet Services™ 应用程序。
3. 按照有关如何将产品与 Husqvarna Fleet Services™ 配对的说明进行操作。

### Bluetooth® 无线技术

具有内置 Bluetooth® 无线技术的产品可以连接到移动设备。

当移动设备连接到本产品时，Bluetooth® 无线技术的符号会亮起。



**注意：**本设备已通过评估，符合射频辐射暴露相关要求。设备可在便携暴露条件下无限制使用。

### 无线固件更新（适用于带内置 Bluetooth® 的电池）

带 Bluetooth® 的电池可自动下载并安装新固件。

- 当有新固件可用且电池连接至 Husqvarna Connect 或 Husqvarna Fleet Services™ 时，会自动开始下载。
- 当电池显示屏激活时，Bluetooth® 指示灯将显示电池的连接状态。
- 固件下载流程需要 10-15 分钟。如果下载停止或失败，电池将再次尝试下载固件。
- 固件下载完成后，当电池未使用或未在充电时，即开始安装。
- 在固件安装过程中，电量指示灯将呈脉冲闪烁。固件安装流程需要 10-15 秒。

### 为电池充电

在首次使用之前先要给电池充电。新电池有 30% 的电量。按下电量状态按钮可查看电池的电量状态。仅在推荐温度范围内使用和存放电池。请参阅 *建议的温度范围* 在第 222 页上。

1. 将电池放入电池充电器中。当电池充电器上的充电指示灯亮起时，说明电池已与电池充电器正确连接。
2. 当电池充满电时，电量状态指示灯的所有条格都会亮起。
3. 从电池充电器中取出电池。

## 电池充电状态

Husqvarna 锂离子电池可以在所有电量水平下充电或使用，

电量指示灯	电池 (电量) 状态
4 格指示灯亮起	电池的电量为 76% – 100%。
3 格指示灯亮起	电池的电量为 51% – 75%。

电量指示灯	电池 (电量) 状态
2 格指示灯亮起	电池的电量为 26% – 50%。
1 格指示灯亮起	电池的电量为 11% – 25%。
1 格指示灯闪烁	电池的电量为 0% – 10%。

## 故障检修

### 故障检修

症状	原因	纠正措施
单格电量状态指示灯闪烁。对于某些固件版本的产品，电池故障指示灯同步闪烁。	电池电量耗尽。	给电池充电。
电池错误指示灯闪烁。	高工作负载，但电池温度极低。	给电池加热。例如，将电池移入室内或低速运行，直到电池变热。
	电池不工作。电池工作范围已达到极限。	从产品上取下电池。等待 5 分钟。按下电量状态按钮。
电池温度指示灯亮起。	电池温度过低或过高，以至无法使用。	在 -10°C (14°F) 至 40°C (104°F) 之间的环境温度下存放电池。当电池达到合适温度后，即可再次使用。
电池温度指示灯闪烁。	电池温度接近其限值。	降低速度和 (或) 工作负载。在 +10°C (50°F) 至 +30°C (86°F) 之间的最适温度下存放电池，以获得理想性能。
电池在充电器中时，电池温度指示灯会亮起。	温度超出范围，电池温度过低或过高，以至无法充电。	使电池冷却或将其移至室内使其升温。当电池达到合适温度后，即可再次充电。确保在 5°C (41°F) 至 40°C (104°F) 之间的环境温度下使用充电器。使充电器远离阳光照射。如果问题仍然存在，请联系您的经销商。
电池故障指示灯亮起。	电池有严重错误。	请联系 Husqvarna 保养经销商。

## 运输、存放和废弃处理

### 运输及存放

- 随附的锂离子电池符合危险品法律的要求。
- 请遵守商业运输中有关包装和标签的特殊要求，包括第三方、货运代理等机构的商业运输。
- 在运送本产品前，请与经过危险品专门培训的人员沟通。请遵守所有适用的国家/地区法规。
- 在将电池放入包装中时，用胶带遮住触点。请将电池牢牢固定在包装中，以防损坏和发生意外。
- 不要将电池存放在容易积聚静电的区域。严禁将电池存放在金属盒中。
- 请将电池放在干燥、无霜且清洁的地方，并确保温度适宜。
- 仅可在推荐温度范围内使用和存放电池。请参阅建议的温度范围在第 222 页上。

- 在长期存放之前，将电池充电至 30% 至 50% 电量。
- 在存放电池之前，先将其清洁干净。

## 弃置

该符号表示该产品不属于生活垃圾。请通过您当地的电气电子设备收集系统进行回收。这有助于妥善管理报废设备。请联系当地主管部门、生活垃圾服务部门、您的经销商或零售商获取相关信息。由于可能存在有害物质，不当处置可能会对环境和人类健康造成潜在的负面影响。



**注意：** 产品或产品包装上显示有该符号。

## 技术参数

### 注册商标

Bluetooth® 文字标志和徽标是 Bluetooth SIG, inc. 所拥有的注册商标，Husqvarna 对这些标志的任何使用均获得了许可。

### 技术参数

频段 (MHz)	2400 – 2483.5
最大传输功率 (dBm)	4

有关其他技术参数，请参见电池上的标牌。

### 建议的温度范围



**小心：** 如果电池温度低于 0°C (32°F)，高工作负载会导致临时性电池错误。



**小心：** 仅可在推荐温度范围内使用和存放电池。超出温度区间将导致电池无法正常工作。



**小心：** 电池温度不在规定区间时，无法进行充电。

使用温度	充电温度	存放温度
-10–40 °C / 14–104 °F	5–40 °C / 41–104 °F	5–25 °C / 41–77 °F

## 认可的充电器

表格 61：40-B140X, 40-B220X, 40-B330X 认可的充电器

充电器	QC330	QC500	40-C500X	40-C750X	40-C1000X4
输出电压, V	36	36	36	36	36
输入电压, V	100–240	100–240	100–240	100–240	100–240
频率 (Hz)	50–60	50–60	50–60	50–60	50–60
功率 (W)	330	500	500	750	1000 <sup>151</sup>

表格 62：40-B360X, 40-B540X 认可的充电器

充电器	40-C500X	40-C750X
输出电压, V	36	36
输入电压, V	100–240	100–240

<b>充电器</b>	<b>40-C500X</b>	<b>40-C750X</b>
<b>频率 (Hz)</b>	50-60	50-60
<b>功率 (W)</b>	500	750

## RoHS 表 - 电池

部件名称	有害物质									
	铅	汞	镉 0.01%	六价铬	多溴联苯	多溴二苯醚	邻苯二甲酸二丁酯	邻苯二甲酸二异丁酯	邻苯二甲酸丁苄酯	邻苯二甲酸二异辛酯
BMS	X	○	○	○	○	○	○	○	○	○

### 注意：

○：表示组件的所有均质材料中有害物质的含量不超过国家标准关于电气和电子产品中限制使用有害物质的要求。

X：表示组件中至少一种均质材料的有害物质含量超过国家标准关于电气和电子产品中限制使用有害物质的要求。

**注意：** 上述未列出的组件表明，有害物质的含量不超过国家标准关于电气和电子产品中限制使用有害物质的要求。

## 一致性声明

### 一致性声明

Husqvarna AB ( 地址：SE-561 82 Huskvarna，  
SWEDEN，电话：+46-36-146500 ) 谨此声明，我们对  
本产品负有唯一责任：

<b>描述</b>	<b>锂离子可充电电池</b>
<b>品牌</b>	Husqvarna®
<b>类型/型号</b>	40-B140X, 40-B220X, 40-B330X, 40-B360X, 40-B540X
<b>标识</b>	2026 及以后的序列号

符合以下修订版欧盟指令和法规：

指令/法规	描述
2014/30/EU	“关于电磁兼容性”
2014/53/EU <sup>152</sup>	“关于无线电设备”
(EU) 2023/1542	“关于电池和废弃电池”

<sup>152</sup> 适用于具有 Bluetooth® 通信功能的版本。

并适用以下标准和/或技术规格：

EN IEC 62133-2:2017+A1:2021

EN IEC 62133-2:2017<sup>153</sup>

IEC 63370:2022

EN 61000-6-1:2007/EN IEC 61000-6-1:2019, EN  
61000-6-3:2007+A1:2011+AC:2012, EN IEC  
61000-6-3:2021<sup>154</sup>

ETSI EN 301 489-1 v.1.9.2, ETSI EN 301 489-17  
v.3.2.4, ETSI 300 328 v.2.2.2<sup>155</sup>

EN IEC 63000:2018

与危险品运输相关的其他测试；

UN 38.3 第 7 版

Husqvarna, 2026-04-10



Lars Roos

电池技术中心研发总监

Husqvarna AB, SWEDEN

技术文档负责人



---

<sup>153</sup> 仅适用于 40-B220X。

<sup>154</sup> 多款使用该电池的产品也已完成 EMC 测试。

<sup>155</sup> 适用于具有 Bluetooth® 通信功能的版本。









www.husqvarna.com

Original instructions  
Оригинални инструкции  
Původní pokyny  
Originale instruktioner  
Originalanweisungen  
Αρχικές οδηγίες  
Instrucciones originales  
Originaaljuhend  
Alkuperäiset ohjeet  
Instructions d'origine  
Originalne upute

Eredeti útmutatás  
Istruzioni originali  
取扱説明書原本  
원본 설명서  
Originalios instrukcijos

Lietošanas pamācība  
Arahan asal  
Originale instructies  
Originale instruksjoner  
Oryginalne instrukcje  
Instruções originais  
Instrucțiuni inițiale  
Оригинальные инструкции  
Pôvodné pokyny  
Izvirna navodila  
Bruksanvisning i original  
Orijinal talimatlar  
Оригинальні інструкції  
Các chỉ dẫn ban đầu  
原始说明



1144876-38



2026-05-15