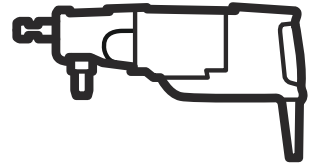




H Husqvarna®



DM 540i

Contents

Introduction.....	2	Transportation, storage and disposal.....	23
Safety.....	4	Technical data.....	24
Assembly.....	11	Accessories.....	25
Operation.....	11	Service.....	26
Maintenance.....	19	Declaration of Conformity.....	27
Troubleshooting.....	21	Registered trademarks.....	29

Introduction

Product description

The product is a handheld battery drill motor. This product can also be used with a drill stand.

The product can be used for wet and dry operations. Refer to *To prepare the product for dry drilling on page 13* and *To prepare the product for wet drilling on page 13*.

The diamond drill bit is a hollow drill that has diamond segments.

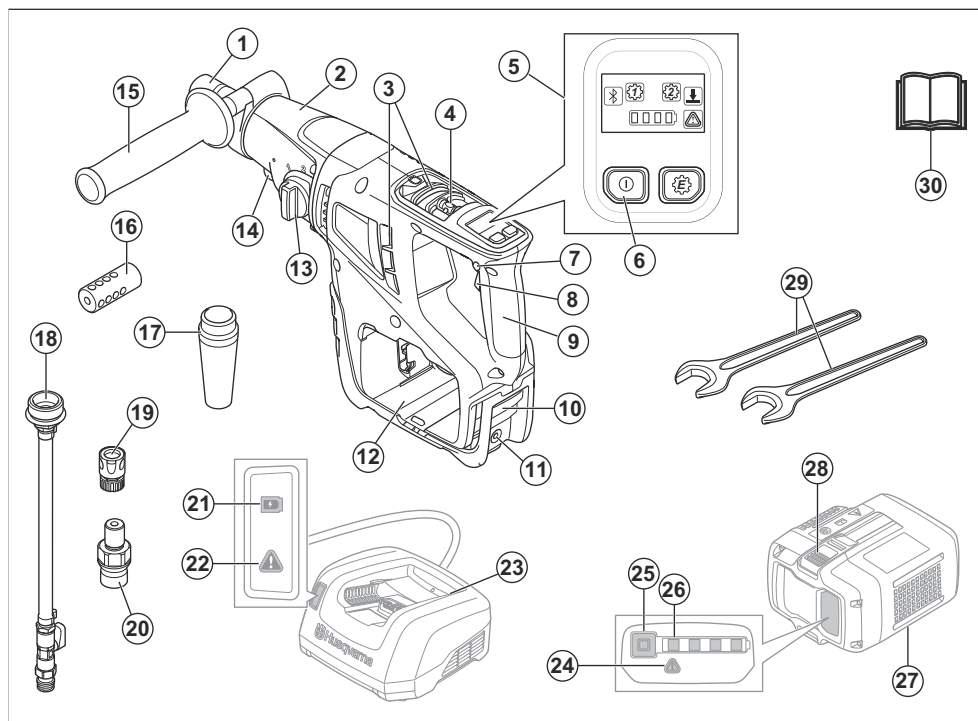
The product has embedded connectivity. Refer to *Embedded connectivity on page 4*.

Intended use

The product is used to drill concrete, rock, asphalt and masonry. The product can also be used to mix concrete. All other use is incorrect.

The product is used in industrial operations by operators with experience.

Product overview



1. Drill spindle

2. Gearbox

3. Air intakes
4. Spirit level for horizontal operation
5. Control panel. Refer to *Functions of the control panel on page 8*
6. On/Off button
7. Lock-on button
8. Power trigger
9. Handle
10. Air outlet
11. Spirit level for vertical operation
12. Battery holder
13. Gear selector
14. Connection for water or dust extractor
15. Auxiliary handle
16. Strainer
17. Dust extractor connector
18. Water connector
19. Gardena® coupling
20. Adapter
21. Indicator for state of charge
22. Warning indicator
23. Battery charger (Accessory)
24. Warning indicator
25. Button, battery status
26. Battery status
27. Battery (Accessory)
28. Battery release button
29. Wrenches
30. Operator's manual

Symbols on the product



WARNING! This product can be dangerous and cause serious injury or death to the operator or others. Be careful and use the product correctly.



Read the operator's manual carefully and make sure that you understand the instructions before you use this product.



Always use approved personal protective equipment. Refer to *Personal protective equipment on page 8*.



This product complies with applicable EC directives.



Environmental mark. The symbol means that the product is not domestic waste. Recycle it through your local collection system for electrical and electronic equipment. This contributes to proper end

of life waste management. Contact local authorities, domestic waste services, your Husqvarna servicing dealer or retailer for information. Incorrect disposal may have potential negative effects on the environment and human health, due to the potential presence of hazardous substances.



If the product features Bluetooth® wireless technology. The Bluetooth® symbol will be marked on the product name label. Refer to *Bluetooth® wireless technology on page 11*.



Volts.



Direct current.



No-load speed



The product agrees with the applicable Australia and New Zealand electromagnetic compatibility directives.



China RoHS Environment-Friendly Use Period (EUFPP) symbol.



Make sure that water cannot leak into the product when you drill in the ceiling. Use an applicable water collector.

Note: Other symbols/decals on the product refer to special certification requirements for some markets.

Symbols on the battery and/or on the battery charger



Recycle this product at a recycling station for electrical and electronic equipment. (Applies to Europe only)



Fail-safe transformer.



Use and keep the battery charger indoors only.



Double insulation.



Note: Other symbols/decals on the product refer to certification requirements for some markets.

Embedded connectivity

The cloud asset management solution Husqvarna Fleet Services™ gives the fleet manager an overview of all products that are connected via either embedded or aftermarket sensors. The position of the gateway or smartphone can be used to indicate the location of connected products. The sensors record data like runtime, service intervals and more. For more information about the cloud asset management solution Husqvarna Fleet Services™, download the iOS or Android app Husqvarna Fleet

Services at <https://apps.apple.com/se/app/husqvarna-fleet-services/id1334672726> or <https://play.google.com/store/apps/details?id=com.husqvarna.hfsmobile&hl=en>. Speak to your HUSQVARNA sale representative for more information.

Products with embedded connectivity are connected via the embedded Husqvarna Fleet Services™ sensor that has the Bluetooth Low Energy (BLE) function. For more information regarding how to use it, refer to *To use embedded connectivity with Husqvarna Fleet Services™ on page 11*. For information about the BLE technology radio spectrum, refer to *Embedded connectivity on page 25*.

Product damage

We are not responsible for damages to our product if:

- the product is incorrectly repaired.
- the product is repaired with parts that are not from the manufacturer or not approved by the manufacturer.
- the product has an accessory that is not from the manufacturer or not approved by the manufacturer.
- the product is not repaired at an approved service center or by an approved authority.

Safety

Safety definitions

Warnings, cautions, and notes are used to point out particularly important parts of the manual.



WARNING: Used if there is a risk of injury or death for the operator or bystanders if the instructions in the manual are not obeyed.



CAUTION: Used if there is a risk of damage to the product, other materials or the adjacent area if the instructions in the manual are not obeyed.

Note: Used to give more information that is necessary in a given situation.

General power tool safety warnings



WARNING: Read all safety warnings, instructions, illustrations and specifications provided with this power tool. Failure to follow all instructions listed below may result in electric shock, fire and/or serious injury.

Save all warnings and instructions for future reference. The term "power tool" in the warnings refers to your

mains-operated (corded) power tool or battery-operated (cordless) power tool.

Work area safety

- **Keep work area clean and well lit.** Cluttered or dark areas invite accidents.
- **Do not operate machines in explosive atmospheres, such as in the presence of flammable liquids, gases or dust.** Machines create sparks which may ignite the dust or fumes.
- **Keep children and bystanders away while operating a machine.** Distractions can cause you to lose control.

Electrical safety

- **Machine plugs must match the outlet. Never modify the plug in any way. Do not use any adapter plugs with earthed (grounded) machines.** Unmodified plugs and matching outlets will reduce risk of electric shock.
- **Avoid body contact with earthed or grounded surfaces, such as pipes, radiators, ranges and refrigerators.** There is an increased risk of electric shock if your body is earthed or grounded.
- **Do not expose machines to rain or wet conditions.** Water entering a machine will increase the risk of electric shock.
- **Do not abuse the cord. Never use the cord for carrying, pulling or unplugging the machine. Keep cord away from heat, oil, sharp edges or moving**

parts. Damaged or entangled cords increase the risk of electric shock.

- **When operating a machine outdoors, use an extension cord suitable for outdoor use.** Use of a cord suitable for outdoor use reduces the risk of electric shock.
- **If operating a machine in a damp location is unavoidable, use a residual current device (RCD) protected supply.** Use of an RCD reduces the risk of electric shock.

Personal safety

- **Stay alert, watch what you are doing and use common sense when operating a machine. Do not use a machine while you are tired or under the influence of drugs, alcohol or medication.** A moment of inattention while operating machines may result in serious personal injury.
- **Use personal protective equipment. Always wear eye protection.** Protective equipment such as dust mask, non-skid safety shoes, hard hat or hearing protection used for appropriate conditions will reduce personal injuries.
- **Prevent unintentional starting. Ensure the switch is in the off-position before connecting to power source and/or battery pack, picking up or carrying the machine.** Carrying machines with your finger on the switch or energising machines that have the switch on invites accidents.
- **Remove any adjusting key or wrench before turning the machine on.** A wrench or a key left attached to a rotating part of the machine may result in personal injury.
- **Do not overreach. Keep proper footing and balance at all times.** This enables better control of the machine in unexpected situations.
- **Dress properly. Do not wear loose clothing or jewellery. Keep your hair and clothing away from moving parts.** Loose clothes, jewellery or long hair can be caught in moving parts.
- **If devices are provided for the connection of dust extraction and collection facilities, ensure these are connected and properly used.** Use of dust collection can reduce dust-related hazards.
- **Do not let familiarity gained from frequent use of machines allow you to become complacent and ignore machine safety principles.** A careless action can cause severe injury within a fraction of a second.

Machine use and care

- **Do not force the machine. Use the correct machine for your application.** The correct machine will do the job better and safer at the rate for which it was designed.
- **Do not use the machine if the switch does not turn it on and off.** Any machine that cannot be controlled with the switch is dangerous and must be repaired.
- **Disconnect the plug from the power source and/or remove the battery pack, if detachable, from the**

machine before making any adjustments, changing accessories, or storing machines. Such preventive safety measures reduce the risk of starting the machine accidentally.

- **Store idle machines out of the reach of children and do not allow persons unfamiliar with the machines or these instructions to operate the machines.** Machines are dangerous in the hands of untrained users.
- **Maintain machines and accessories. Check for misalignment or binding of moving parts, breakage of parts and any other condition that may affect the machines's operation. If damaged, have the machine repaired before use.** Many accidents are caused by poorly maintained machines.
- **Keep cutting machines sharp and clean.** Properly maintained cutting machines with sharp cutting edges are less likely to bind and are easier to control.
- **Use the machine, accessories and bits etc. in accordance with these instructions, taking into account the working conditions and the work to be performed.** Use of the machine for operations different from those intended could result in a hazardous situation.
- **Keep handles and grasping surfaces dry, clean and free from oil and grease.** Slippery handles and grasping surfaces do not allow for safe handling and control of the machine in unexpected situations.

Battery machine use and care

- **Recharge only with the charger specified by the manufacturer.** A charger that is suitable for one type of battery pack may create a risk of fire when used with another battery pack.
- **Use machines only with specifically designated battery packs.** Use of any other battery packs may create a risk of injury and fire.
- **When battery pack is not in use, keep it away from other metal objects, like paper clips, coins, keys, nails, screws or other small metal objects, that can make a connection from one terminal to another.** Shorting the battery terminals together may cause burns or a fire.
- **Under abusive conditions, liquid may be ejected from the battery; avoid contact. If contact accidentally occurs, flush with water. If liquid contacts eyes, additionally seek medical help.** Liquid ejected from the battery may cause irritations or burns.
- **Do not use a battery pack or machine that is damaged or modified.** Damaged or modified batteries may exhibit unpredictable behaviour resulting in fire, explosion or risk of injury.
- **Do not expose a battery pack or machine to fire or excessive temperature.** Exposure to fire or temperature above 130 °C / 265 °F may cause explosion.
- **Follow all charging instructions and do not charge the battery pack or machine outside the temperature range specified in the instructions.** Charging

improperly or at temperatures outside the specified range may damage the battery and increase the risk of fire.

Service

- **Have your machine serviced by a qualified repair person using only identical replacement parts.** This will ensure that the safety of the machine is maintained.
- **Never service damaged battery packs.** Service of battery packs should only be performed by the manufacturer or authorized service providers.

Drill safety warnings

Safety instructions for operation

- **Use the auxiliary handle(s).** Loss of control can cause personal injury.
- **Hold the power tool by insulated gripping surfaces, when performing an operation where the cutting accessory may contact hidden wiring.** Cutting accessory contacting a "live" wire may make exposed metal parts of the power tool "live" and could give the operator an electric shock.
- **Do not drill handheld from a ladder or a scaffold.**

Safety instructions when using long drill bits

- **Never operate at higher speed than the maximum speed rating of the drill bit.** At higher speeds, the bit is likely to bend if allowed to rotate freely without contacting the workpiece, resulting in personal injury.
- **Always start drilling at low speed and with the bit tip in contact with the workpiece.** At higher speeds, the bit is likely to bend if allowed to rotate freely without contacting the workpiece, resulting in personal injury.
- **Apply pressure only in direct line with the bit and do not apply excessive pressure.** Bits can bend causing breakage or loss of control, resulting in personal injury.

Diamond drill safety warnings

- **When performing drilling that requires the use of water, route the water away from the operator's work area or use a liquid collection device.** Such precautionary measures keep the operator's work area dry and reduce the risk of electrical shock.
- **Operate power tool by insulated grasping surfaces, when performing an operation where the cutting accessory may contact hidden wiring or its own cord.** Cutting accessory contacting a "live" wire may make exposed metal parts of the power tool "live" and could give the operator an electric shock.
- **Wear hearing protection when diamond drilling.** Exposure to noise can cause hearing loss.
- **When the bit is jammed, stop applying downward pressure and turn off the tool.** Investigate and take corrective actions to eliminate the cause of the bit jamming.

- **When restarting a diamond drill in the workpiece, check that the bit rotates freely before starting.** If the bit is jammed, it may not start, may overload the tool, or may cause the diamond drill to release from the workpiece.
- **When securing the drill stand with anchors and fasteners to the workpiece, ensure that the anchoring used is capable of holding and restraining the machine during use.** If the workpiece is weak or porous, the anchor may pull out causing the drill stand to release from the workpiece.
- **When securing the drill stand with a vacuum pad to the workpiece, install the pad on a smooth, clean, non-porous surface. Do not secure to laminated surfaces such as tiles and composite coating.** If the workpiece is not smooth, flat or well affixed, the pad may pull away from the workpiece.
- **Ensure there is sufficient vacuum before and during drilling.** If the vacuum is insufficient, the pad may release from the workpiece.
- **Never perform drilling with the machine secured by the vacuum pad only, except when drilling downwards.** If the vacuum is lost, the pad will release from the workpiece.
- **When the drilling through walls or ceilings, ensure to protect persons and the work area on the other side.** The bit may extend through the hole or the core may fall out on the other side.
- **When drilling overhead, always use the liquid collection device specified in the instructions. Do not allow water to flow into the tool.** Water entering the power tool will increase the risk of electric shock.

General safety instructions



WARNING: Read the warning instructions that follow before you use the product.

- This product is a dangerous tool if you are not careful or if you use the product incorrectly. This product can cause serious injury or death to the operator or others. Before you use the product, you must read and understand the contents of this operator's manual.
- This product is not intended for use by persons (including children) with reduced physical, sensory or mental capabilities, or lack of experience and knowledge.
- Save all warnings and instructions.
- Comply with all applicable laws and regulations.
- The operator and the employer of the operator must know and prevent the risks during operation of the product.
- Do not let a person operate the product unless they read and understand the contents of the operator's manual.

- Do not operate the product unless you receive training before use. Make sure that all operators receive training.
- Do not let a child operate the product.
- Only let approved persons operate the product.
- The operator is responsible for accidents that occur to other persons or their property.
- Do not use the product if you are tired, ill, or under the influence of alcohol, drugs or medicine.
- Always be careful and use your common sense.
- This product produces an electromagnetic field during operation. This field can under some circumstances interfere with active or passive medical implants. To decrease the risk of serious injury or death, we recommend persons with medical implants to speak to their physician and the medical implant manufacturer before operating this product.
- Keep the product clean. Make sure that you can clearly read signs and decals.
- Do not use the product if it is damaged.
- Do not make modifications to this product.
- Do not operate the product if it is possible that other persons have made modifications to the product.

Battery safety



WARNING: A damaged battery can cause an explosion and cause injury. If the battery has a deformation or is damaged, speak to an approved HUSQVARNA service agent.



WARNING: Read the warning instructions that follow before you use the product.

- Keep the battery away from sunlight, heat or open flame. The battery can cause an explosion and cause burns and/or chemical burns.
- If the battery leaks, do not let the liquid touch your body, clothes or the product. If you touch the liquid, clean the area with a large quantity of water and get medical aid.
- Use protective glasses when you are near batteries. If you get liquid in your eyes, do not rub but flush with water for a minimum of 15 minutes. Get medical aid.
- Keep the battery away from children.
- Do not use a defective or damaged battery.
- Make sure to attach the battery correctly. An incorrectly attached battery can cause a short circuit of the battery.
- Use the battery only when the ambient temperature is between -10 °C / 14 °F and 40 °C / 104 °F.

Battery charger safety



WARNING: Read all safety warnings and all instructions. Failure to follow the warnings and instructions may result in electrical shock, fire and/or serious injury.

- Risk of electrical shock or short circuit if the safety instructions are not obeyed.
- Do not use other battery chargers than the one supplied for your product. Only use HUSQVARNA chargers when you charge HUSQVARNA replacement batteries.
- Do not try to disassemble the battery charger.
- Do not use a defective or damaged battery charger.
- Do not lift the battery charger by the power cord. To disconnect the battery charger from a mains socket, pull out the plug. Do not pull the power cord.
- Keep all cables and extension leads away from water, oil and sharp edges. Make sure that the cable is not caught between doors, fences or equivalent.
- Do not use the battery charger near flammable materials or materials that can cause corrosion. Make sure that the battery charger is not covered. Pull out the plug to the battery charger if there is smoke or fire.
- Only charge the battery indoors in a location with good airflow and away from sunlight. Do not charge the battery outdoors. Do not charge the battery in wet conditions.
- Do not use the battery charger outside the specified temperature intervals. Refer to *To connect the battery charger on page 12*.
- Use the charger in an environment which has a good airflow, dry and free from dust.
- Do not put objects into the air slots of the battery charger.
- Do not connect the battery charger terminals to metal objects as this can short circuit the battery charger.
- Do not charge non-rechargeable batteries in the battery charger or use them in the machine.
- Use approved mains sockets that are not damaged.

Safety instructions for operation



WARNING: Read the warning instructions that follow before you use the product.

- Do not operate the product unless you can get aid if an accident occurs.
- Know the controls and the correct operation of the product before use.
- Do not use the product in bad weather, such as fog, rain, strong winds, intense cold and equivalent conditions. Dangerous conditions, such as slippery surfaces, can occur because of bad weather.

- Look out for persons, objects and situations that can prevent safe operation of the product.
- Make sure that you always can stop the motor quickly in an emergency.
- Make sure that there are no pipes or electrical cables in the area where the hole will be made.
- If the product does not operate correctly, stop the motor.
- Make sure that you are in a safe and stable position during operation.
- Stay at a distance from the drill bit when the motor is on.
- Always remove the battery pack before you go away from the product.
- Keep all parts in good condition and make sure that all fixtures are correctly tightened.
- If the product has unusual vibration or noise level, stop the product immediately and remove the battery pack. Examine the product for damages. Unusual vibration is usually a warning of damage. Repair the damages or let an approved service agent do the repair.
- Always use approved accessories. Speak to your dealer for more information.
- Do not use loose, heavy and not applicable clothing. Use clothes that let you move freely.
- Use approved protective gloves that enables a solid hold and prevents skin irritation.
- Use an approved protective helmet.
- Always use approved hearing protection while you operate the product. Noise for a long period can cause noise-induced hearing loss.
- The product makes dust and fumes that contain dangerous chemicals. Use an approved breathing protection.
- Use boots with steel toe-caps and non-slip soles.
- Make sure that you have a first aid kit near.
- Sparks can occur when you operate the product. Make sure that you have a fire extinguisher near.

Safety devices on the product



WARNING: Read the warning instructions that follow before you use the product.

- Never use a product that has faulty safety equipment! If your product fails any checks contact your service agent to get it repaired.
- Do not use the product if protective plates, protective covers, safety switches or other protective devices are not attached or are damaged.

Motor overload protection

The motor overload protection engages if the motor has too high load or the drill bit cannot move freely.

The motor overload protection causes the power from the motor to decrease and increase in short intervals for some seconds. Then, if you do not decrease the force, the motor stops. Refer to *To reset the motor overload protection on page 19*.

Functions of the control panel

This operator's manual gives descriptions of the functions of the control panel for the product. The control panel operates important functions and setups of the

Noise safety



WARNING: Read the warning instructions that follow before you use the product.

- High noise levels and long-term exposure to noise can cause noise-induced hearing loss.
- To keep the noise level to a minimum, do maintenance on and operate the product as given in the operator's manual.
- Use approved hearing protection while you operate the product.
- Listen for warning signals and voices when you use hearing protection. Remove the hearing protection when the product is stopped, unless hearing protection is necessary for the noise level in the work area.

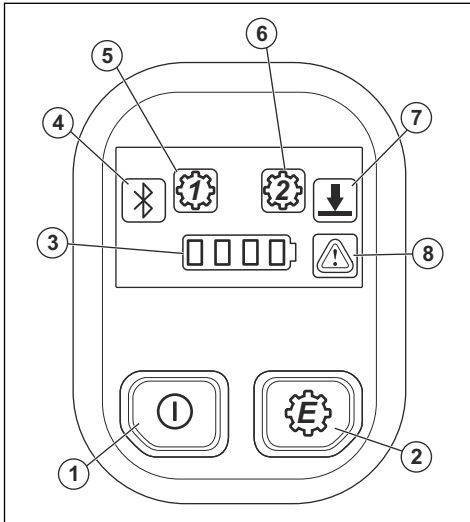
Personal protective equipment



WARNING: Read the warning instructions that follow before you use the product.

- Always use correct personal protective equipment when you operate the product. The personal protective equipment does not eliminate the risk of injury. The personal protective equipment decreases the grade of injury if an accident occurs. Let your dealer help you select the right equipment.
- Use approved eye protection while you operate the product.

product. Refer to *Troubleshooting of the user interface on page 22* to find solutions for the warnings.



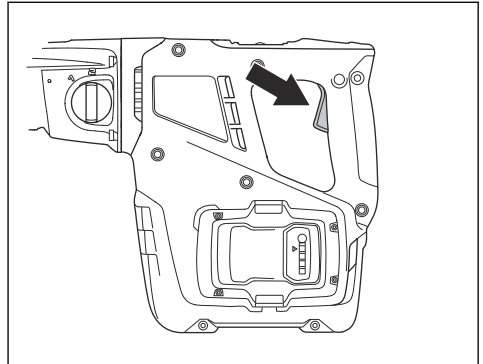
1. On/Off button.
2. E-gear button. Refer to *To change E-gear on page 18*.
3. Battery status indicator
4. Bluetooth®. Refer to *Bluetooth® wireless technology on page 11*.
5. E-gear 1 engaged
6. E-gear 2 engaged
7. Overload indicator
8. Warning indicator. Refer to *Troubleshooting on page 21*.

Automatic stop function

The product has an automatic stop function that stops the product if you do not use it for 3 minutes.

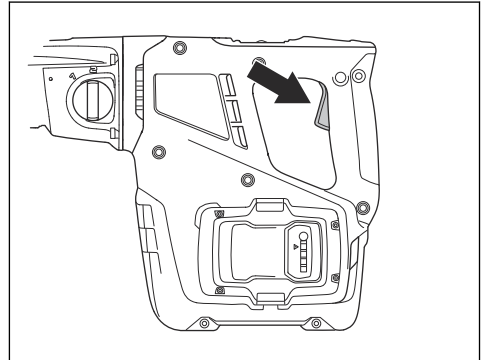
Power trigger

The power trigger is used to start and stop the drill motor.

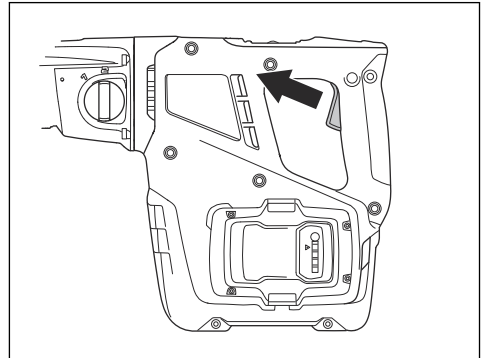


To examine the power trigger

1. Start the product. Refer to *To start the product on page 15*.
2. Push the power trigger to start the drill operation.



3. Release the power trigger to stop the drill operation.



Friction clutch



WARNING: The product can cause a kickback. Hold the product with 2 hands for better control. Kickbacks are sudden and

can be dangerous. The product can be thrown in the direction of the operator and cause injury.



CAUTION: Make sure that the release time of the clutch is not more than 3-4 seconds, because if not wear and heat will increase quickly.

The friction clutch is integrated in the gearbox of the product. It prevents damage to the product if the drill bit stops during operation. If the load is too high, the friction clutch is released and stops the drill spindle but keeps the motor on for some seconds. The friction clutch engages again if the load is decreased and the operation can continue. If the drill bit is caught in the material and fully stops, the friction clutch stops the motor immediately.

Safety instructions for maintenance



WARNING: Read the warning instructions that follow before you do maintenance on the product.

- Remove the battery before you do maintenance, other checks or assemble the product.
- The operator must only do the maintenance and servicing shown in this operator's manual. Turn to your servicing dealer for maintenance and servicing of a larger extension.
- Do not clean the battery or the battery charger with water. Strong detergent can cause damage to the plastic.
- If you do not do maintenance, it decreases the life cycle of the product and increases the risk of accidents.
- Special training is necessary for all servicing and repair work, especially for the safety devices on the product. If not all checks in this operator's manual are approved after you have done maintenance, turn to your servicing dealer. We guarantee that there are professional repairs and servicing available for your product.
- Only use original spare parts.

Always use common sense



WARNING: Under no circumstances should you modify the original design of the product without approval from the manufacturer. Always use original spare parts. Unauthorized modifications and/or accessories may lead to serious injury or death to the user or others.



WARNING: The use of products such as cutters, grinders, drills, that sand or form

material can generate dust and vapours which may contain hazardous chemicals. Check the nature of the material you intend to process and use an appropriate breathing mask.

It is not possible to cover every conceivable situation you can face when using the product. Always exercise care and use your common sense. Avoid all situations which you consider to be beyond your capability. If you still feel uncertain about operating procedures after reading these instructions, you should consult an expert before continuing.

Do not hesitate to contact your HUSQVARNA representative if you have any more questions about the use of the product. We will willingly be of service and provide you with advice as well as help you to use your product both efficiently and safely.

Let your HUSQVARNA dealer check the product regularly and make essential adjustments and repairs.

Husqvarna Construction Products has a policy of continuous product development. HUSQVARNA reserves the right to modify the design and appearance of products without prior notice and without further obligation introduce design modifications.

All information and all data in the operator's manual were applicable at the time the operator's manual was sent to print.

Bluetooth®



CAUTION: Changes or modifications made to this equipment not expressly approved by HUSQVARNA may void the FCC authorization to operate this equipment.

Notice: This device complies with Part 15 of FCC Rules and with Industry Canada licence-exempt RSS standard. Operation is subject to the following two conditions:

- This device may not cause harmful interference
- This device must accept any interference received, including interference that cause undesired operation.

Le présent appareil est conforme aux CNR d'Industrie Canada applicables aux appareils radio exempts de licence. L'exploitation est autorisée aux deux conditions suivantes:

- l'appareil ne doit pas produire de brouillage, et
- l'appareil doit accepter tout brouillage radioélectrique subi, même si le brouillage est susceptible d'en compromettre le fonctionnement.

Assembly

Introduction



WARNING: Before you assemble the product, read the safety chapter.



WARNING: To prevent accidental start during assembly, disconnect the battery from the product.

To attach the product to a drill stand



CAUTION: Read the operator's manual for the drill stand carefully.

- To attach the product to a drill stand, refer to the manual for the drill stand.
- Use only with approved HUSQVARNA drill stands. Refer to *Applicable drill stands on page 25*.

Operation

Introduction



WARNING: Read and understand the safety chapter before you use the product.

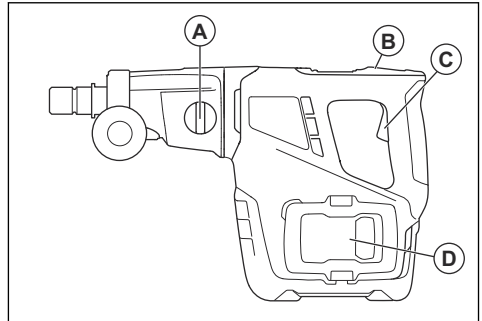
To do before you operate the product

1. Read the operator's manual carefully and make sure that you understand the instructions.
2. Do the daily maintenance. Refer to *Maintenance schedule on page 19*.
3. Make sure that there is no oil on the handles.
4. Make sure that the work area is clean and bright.
5. Use personal protective equipment. Refer to *Personal protective equipment on page 8*.
6. Make sure that the product is installed correctly. The drill bit must be attached correctly.
7. Install and fully tighten the auxiliary handle only when you use the product handheld. Refer to *To use the auxiliary handle on page 12*.
8. Use a dust extractor when you do dry drill operations. Refer to *To prepare the product for dry drilling on page 13*.
9. Use the water system when you do wet drill operations. Make sure that the water system is not damaged. Refer to *To prepare the product for wet drilling on page 13*.
10. Do a function check. Refer to *To do a function check before you operate the product on page 11*.

To do a function check before you operate the product

1. Do a check of the gear selector (A) to make sure that it operates correctly and that it is not damaged. Refer to *To start the product on page 15*.
2. Do a check of the control panel (B) to make sure that it operates correctly. Refer to *Functions of the control panel on page 8*.

3. Do a check of the power trigger (C) to make sure that it operates correctly and that it is not damaged. Refer to *To examine the power trigger on page 9*.
4. Charge the battery (D) and make sure that it is correctly attached to the product. Refer to *To start the product on page 15*.
5. Do a check to make sure that all parts are correctly attached and not damaged or missing.
6. Make sure that the drill bit stops when you release the power trigger.



Bluetooth® wireless technology

Products with built-in Bluetooth® wireless technology can connect to mobile devices. The symbol for Bluetooth® wireless technology comes on when your mobile device is connected to the product.



To use embedded connectivity with Husqvarna Fleet Services™

Note: This part is applicable only for products supplied with embedded connectivity.

Note: Radio transmission by the Bluetooth® function will be enabled on the first time of connection to a battery, and stay on after that.

1. Download the Husqvarna Fleet Services™ iOS or Android app Husqvarna Fleet Services.
2. Go to Husqvarna Fleet Services™ website <https://fleetservices.husqvarna.com> for more information.

To connect the battery charger

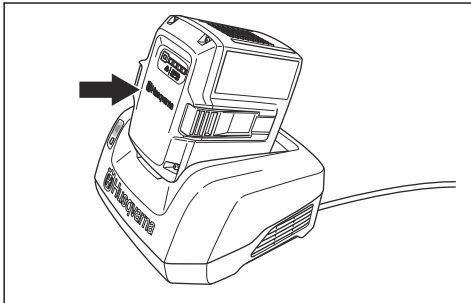
1. Connect the battery charger to the voltage and frequency that is specified on the rating plate.
2. Put the plug in a grounded socket outlet. The LED on the battery charger flashes green one time.

Note: The battery does not charge if the battery temperature is less than 0 °C (32 °F) or more than 50°C (122 °F). If the temperature is more than 50 °C/122 °F, the battery charger makes the battery become cool before the battery charges.

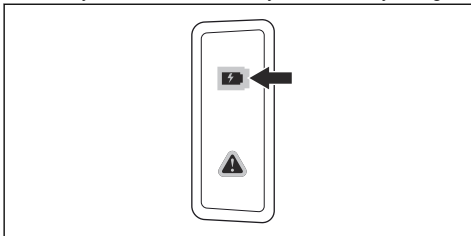
To connect the battery to the battery charger

Note: Charge the battery if it is the first time that you use it. A new battery is only 30% charged.

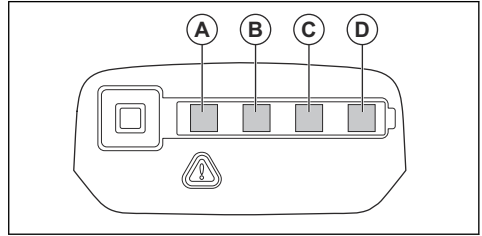
1. Make sure that the battery is dry.
2. Put the battery in the battery charger.



3. Make sure that the green charging light on the battery charger comes on. That means that the battery is connected correctly to the battery charger.



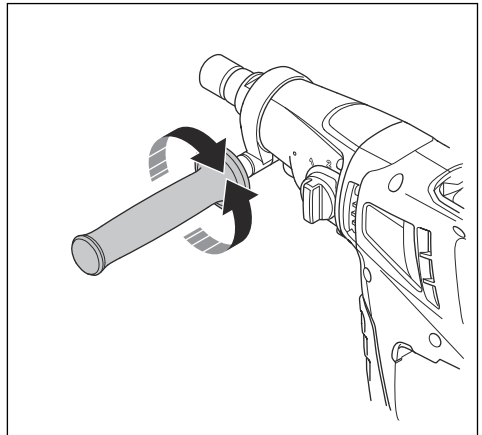
4. When all LEDs on the battery come on, the battery is fully charged.



5. To disconnect the battery charger from the mains socket, pull the plug. Do not pull the cable.
6. Remove the battery from the battery charger.

Note: Refer to the battery and battery charger manuals for more information.

To use the auxiliary handle

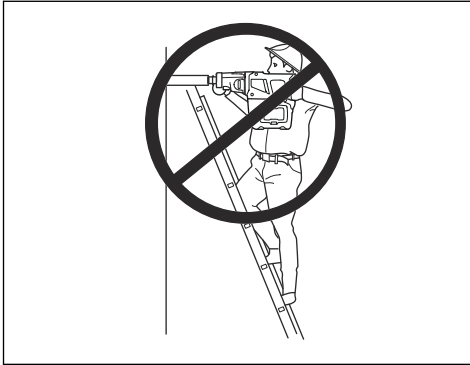


1. Turn the handle counterclockwise to release it.
2. Move the handle around the spindle shaft to an applicable operation position.
3. Turn the handle clockwise to lock it. Tighten fully.

To use the product handheld



WARNING: Do not operate the product from a ladder. If the drill bit becomes blocked, there is a high risk of fall injury.



1. Always use a drill bit with a maximum diameter of 75 mm with handheld drill operation.

Operation	Drill bit diameter, mm
Handheld	25-75
Drill stand	25-100



WARNING: If the drill bit becomes blocked, a reaction will occur. Larger diameter of the drill bit gives larger reaction.

2. Lock the auxiliary handle tightly in position before you operate the product. Refer to *To use the auxiliary handle on page 12*.

To prepare the product for dry drilling

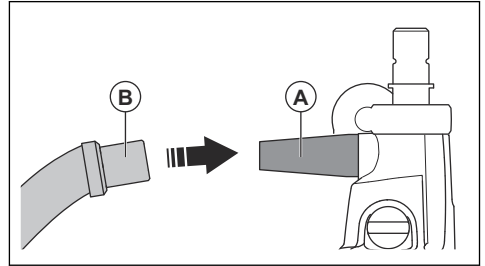


WARNING: Dust is made when you drill, which can cause injuries if breathed in. Use approved breathing protection.



WARNING: Do not use a house-hold vacuum cleaner. Use only designated dust extractors for hazardous dust. Refer to *Dust extractor on page 25* for minimum properties.

1. Attach the dust extractor connector (A) to the product.



2. Attach the dust extractor (B) to the dust extractor connector.
3. Start the dust extractor.

To prepare the product for wet drilling



CAUTION: Make sure that the maximum water pressure is not too high. Refer to *Technical data on page 24*.

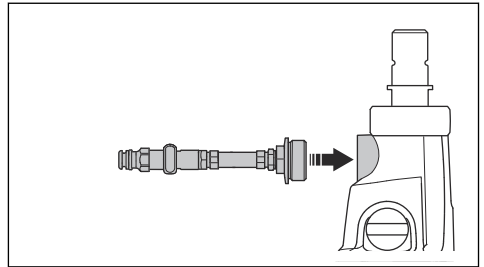


CAUTION: Use only clean water to prevent dirt blockage in the water system.

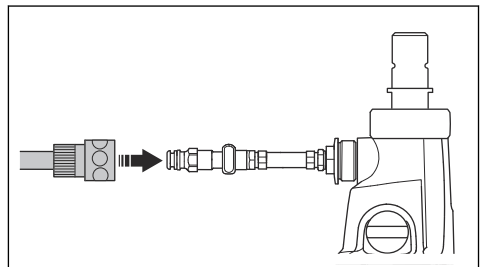


CAUTION: Use only an approved water supply coupling. Speak to your dealer for more information.

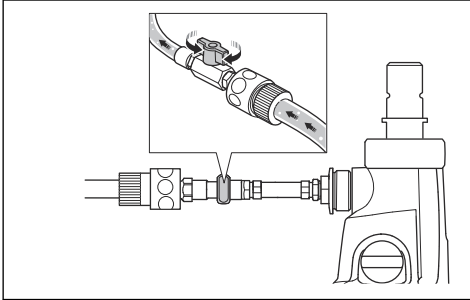
1. Attach the water connector to the product.



2. Connect the Gardena® male coupling with water valve to the water connector.



3. Open the water system and adjust the water flow with the valve. Set the water pressure to remove all waste material from the drill hole.

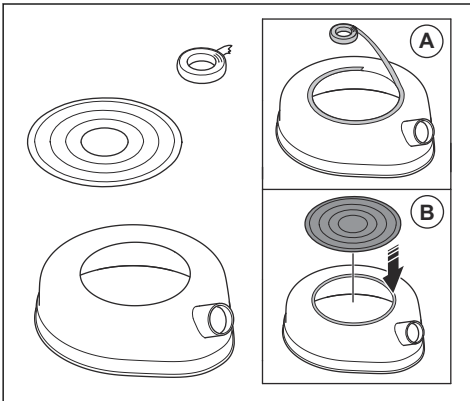


To prepare the product for inverted drilling

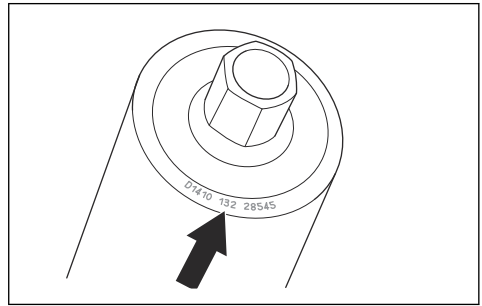


WARNING: Always use a slurry ring with a sealing disc and a rubber washer during inverted drilling. Water that enters the product increases the risk of electrical shock.

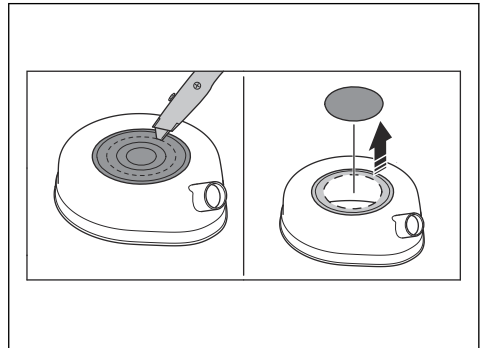
1. Clean the top of the slurry ring. All grease and dirt must be removed.
2. Attach 2-sided adhesive tape or use spray glue around the top opening of the slurry ring (A). Put the sealing disc on the top opening as a cover (B). Attach it tightly.



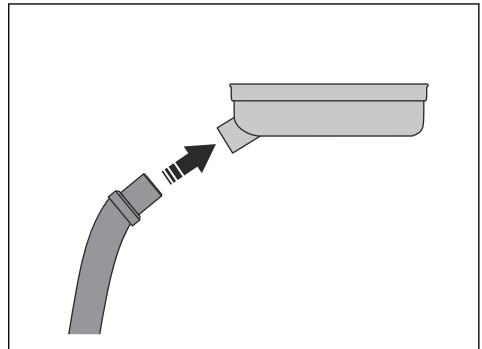
3. Look for the dimension of the core drill on the top of the drill.



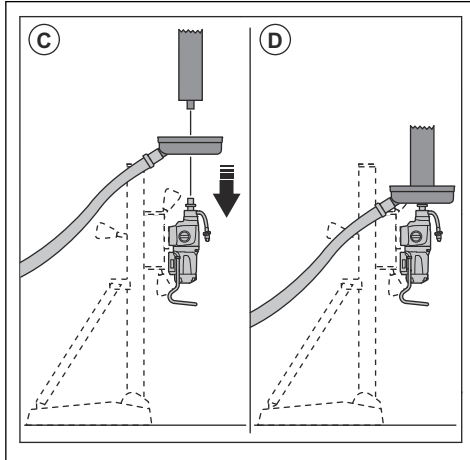
4. Cut a hole in the sealing disc in the nearest smaller dimension as the core drill.



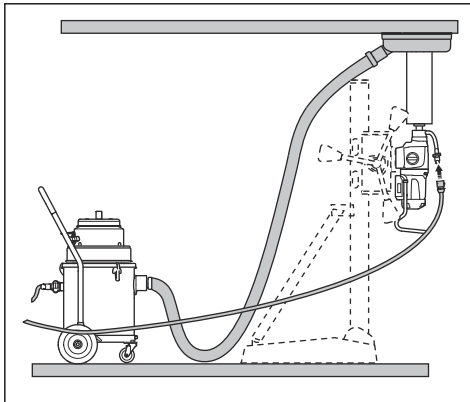
5. Connect the slurry collector to the connection of the slurry ring.



- Put the slurry ring on the drill spindle (C). Install the drill bit to the drill spindle (D).



- Start the slurry collector.
- Lift the drill bit to the ceiling. Attach the slurry ring to the ceiling.



To decrease the temperature of the motor

- Operate the product with no load for 2 minutes to decrease the temperature of the motor.

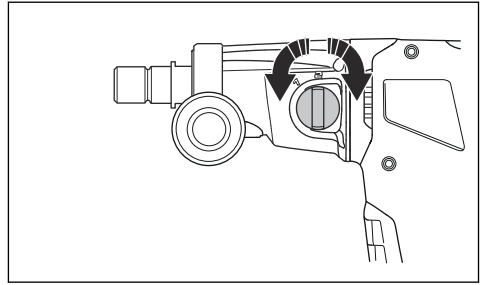
To change gear



CAUTION: Change gear only when the motor decreases in speed or stops. Do not use force to change gear.

- Make sure that you always use the applicable speed for the drill bit diameter. Refer to the rating plate on the product or *Technical data on page 24*.

- Turn the gear selector to change gear.

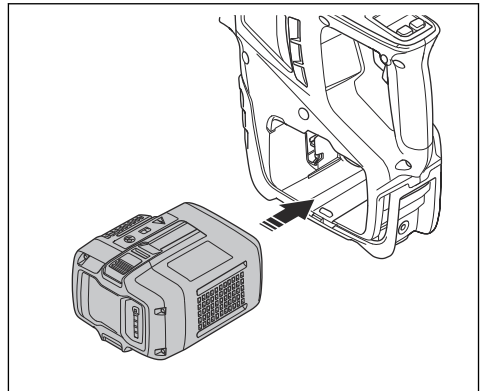


To start the product



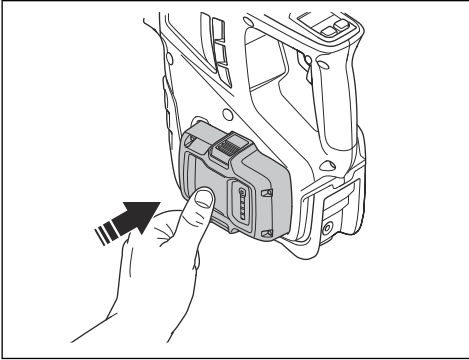
WARNING: Make sure that the drill bit can rotate freely. It starts to rotate when you push the power trigger.

- Put the battery in the battery holder.

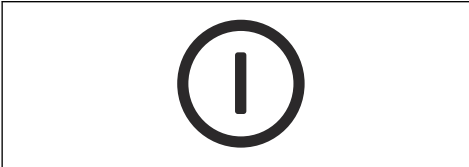


CAUTION: Make sure that the battery is installed correctly into the battery holder. If the battery does not move easily into the battery holder, the position is not correct.

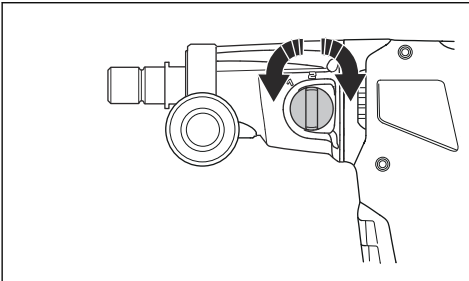
2. Push on the lower part of the battery until you hear a click.



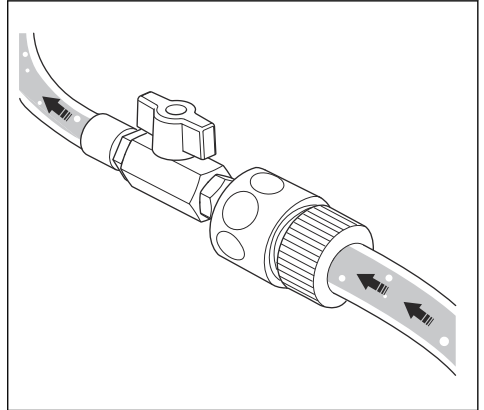
3. Push and hold the On/Off button until a green LED light comes on.



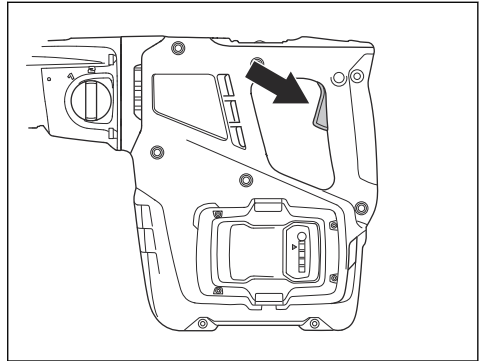
4. To set the operation speed, turn the drill spindle and at the same time move the gear selector. Set the gear selector in the correct position for the operation.



5. Make sure that the water system is connected and open for wet drill operation. Refer to *To prepare the product for wet drilling on page 13*. Connect and start the dust extractor for dry drill operation. Refer to *To prepare the product for dry drilling on page 13*.



6. Push and hold the power trigger.



To operate the product



WARNING: Dangerous accidents can occur if the concrete core stays in the drill bit when you remove the drill bit from the hole.



CAUTION: Make sure that no objects hit the drill bit.



CAUTION: Do not use more force than necessary. This only makes the operation slow and causes overload to the motor.

1. Start the product. Refer to *To start the product on page 15*.
2. Push the power trigger to start the drill bit and release the power trigger to stop the drill bit.

3. Let the motor speed increase to the maximum speed before the drill bit touches the surface.
 4. If you drill through iron reinforcements, use more initial pressure and a lower gear.
 5. Use very small pressure initially to keep the drill bit in correct position.
 6. If wet drill operation, make sure that the water removes all waste material from the drill hole. Adjust the water pressure if it is necessary.
 7. If dry drill operation, make sure that the dust extractor removes all dust.
 8. Stop the product. Refer to *To stop the product on page 18*.
2. Make sure that your position is by the side of the product and that you have clear vision of the drilling operation.

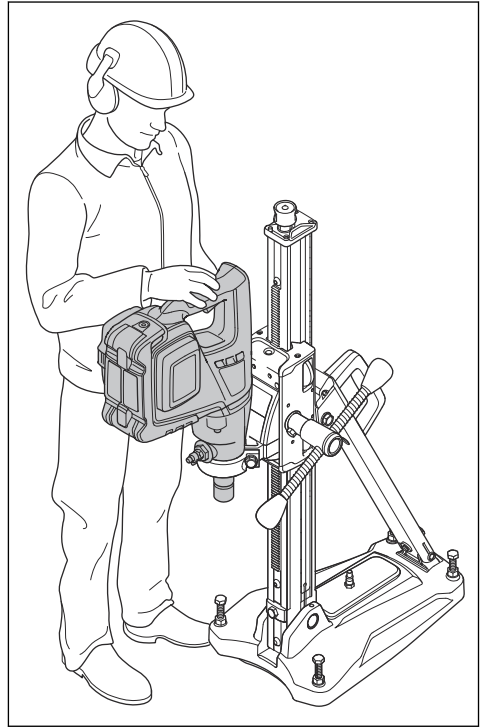
To operate the product with a drill stand



CAUTION: Read the operator's manual for the drill stand carefully and make sure that you understand the instructions.

Note: Refer to the drill stand operator's manual for assembly instructions.

1. Remove the auxiliary handle when you use the product with a drill stand.



Note: Do not stand under the drill stand.

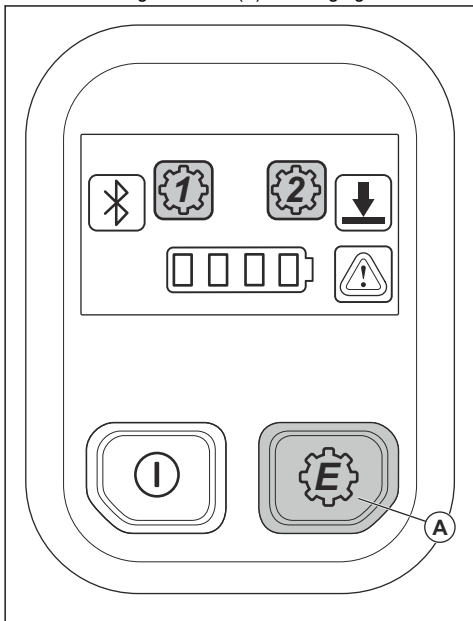
3. Start the product. Refer to *To start the product on page 15*.
4. Push the power trigger to start the drill bit. You can activate the lock-on when the power trigger is pushed.
5. Hold the feed handle before you unlock the carriage.
6. Use the handles on the feed lever to move the drill.
7. Let the motor speed increase to the maximum speed before the drill bit touches the surface.
8. If you drill through iron reinforcements, use more initial pressure and a lower gear.
9. Use very small pressure initially to keep the drill bit in correct position.
10. If wet drill operation, make sure that the water removes all waste material from the drill hole. Adjust the water pressure if it is necessary.
11. If dry drill operation, make sure that the dust extractor removes all dust.
12. Push the power trigger again to deactivate the lock-on.

13. Stop the product. Refer to *To stop the product on page 18*.

To change E-gear

The E-gear function is used to control the motor speed with 2 electronic gears. Selection of the E-gears are used together with the mechanical gears.

- Press the E-gear button (A) to change gear.



- For information about the correct E-gear setting, refer to *Gear settings on page 18*.

Gear settings

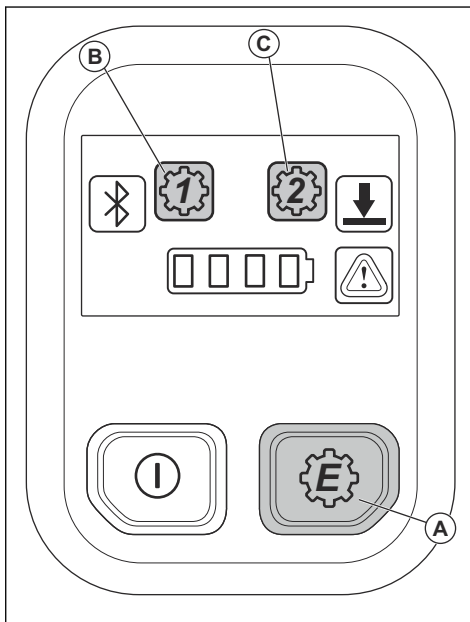
Dimensions, mm/in	Gear selector	Settings for E-gear
75–100/3–4	I	1
50–75/2–3	I	2
25–50/1–2	II	1
15–25/½–1	II	2

To use the accessory mode

The accessory mode is used to mix concrete. This function lowers the rotation speed of the spindle shaft, and has less power than the standard mode.

Note: Do not use the accessory mode for drill operations.

1. To enter accessory mode, hold down the E-gear button (A). One of the gear lights (B) or (C) starts to flash.



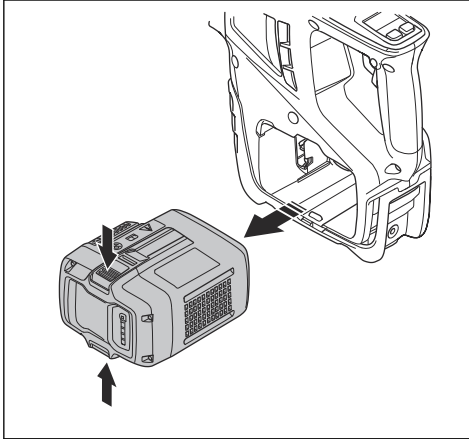
2. Press the E-gear button to select gear.
3. To go back to standard mode, hold down the E-gear button. The gear light stops flashing and lights up.

To stop the product

1. Push and hold the On/Off button until the green LED light goes off.



2. Push the battery release buttons and remove the battery from the battery holder to prevent accidental start.



To reset the motor overload protection

1. Stop the product. Refer to *To stop the product on page 18*.
2. Remove the blockage from the drill bit and make sure that the drill bit can move freely.
3. Start the product. Refer to *To start the product on page 15*.

To replace the drill bit



WARNING: Always remove the battery before you replace the drill bit on the product.



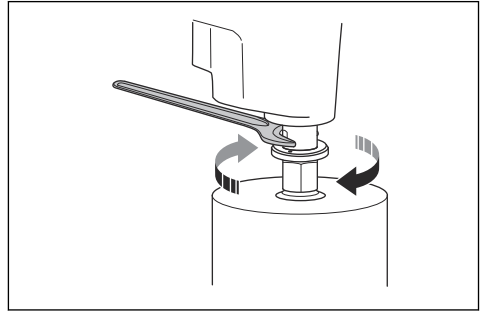
WARNING: Use protective gloves. Let the product become cool before you remove the drill bit. The drill bit and the adjacent area are very hot after operation.



WARNING: Only use diamond drill bits that are approved for your product.

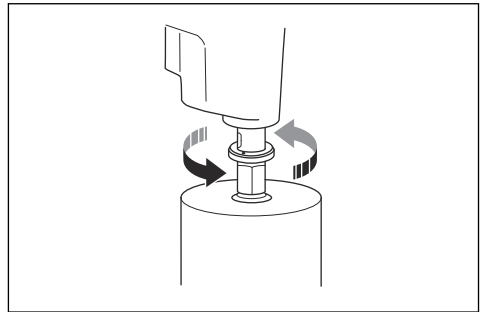
Speak to your HUSQVARNA dealer for more information.

1. Make sure that you have got a new drill bit, the supplied wrench and water resistant grease.
2. Lock the spindle axle with the wrench.
3. Turn the drill bit clockwise to remove it.



CAUTION: Do not hit the product to remove the drill bit. There is a risk of damage to the gearbox.

4. Lubricate the spindle shaft thread with water resistant grease.
5. Turn the drill bit counterclockwise to install it. Tighten fully.



Maintenance

Introduction



WARNING: Read and understand the safety chapter before you do maintenance work on the product.



WARNING: Remove the battery before you do maintenance on the product.

Maintenance schedule

* = General maintenance done by the operator. The instructions are not given in this operator's manual.

X = The instructions are given in this operator's manual.

O = Speak to a HUSQVARNA service agent.

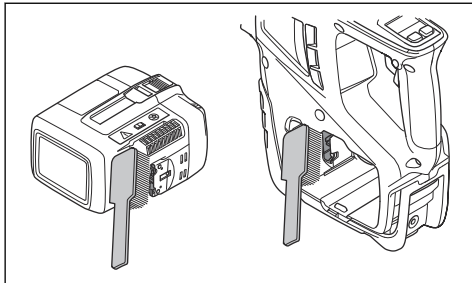
Maintenance	Before each use	After each use	Daily	After the first 100 h	After each 300 h
Make sure that movable parts function correctly and move freely.	*				
Make sure that the cutting tool is sharp and clean.	*				
Make sure that the keypad works correctly and that it is not damaged.	X				
Make sure that the handles and holding surfaces are dry, clean and free of oil and grease.	*	*			
Make sure that the product is clean.	X	X			
Clean the air intake on the product.	X	X			
Examine the shaft seals for damage/water leakage.		X			
Make sure that the nuts and screws are tight.			*		
Make sure that the power trigger operates correctly.			X		
Replace the gear oil.				O	
Do a check of the connections between the battery and the product. Do a check of the connection between the battery and the battery charger.				X	X
Blow through the product and battery cooling slots carefully with compressed air.					*

To do a check of the control panel

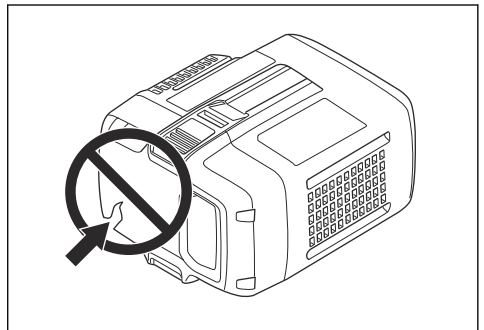
1. Push and hold the On/Off button until the green LED comes on. Refer to *Functions of the control panel on page 8*.
2. Push and hold the On/Off button until the green LED goes off.

To do a check of the battery and the battery holder

1. Clean the battery and the battery holder with a soft brush.
2. Clean the cooling slots and battery connectors.

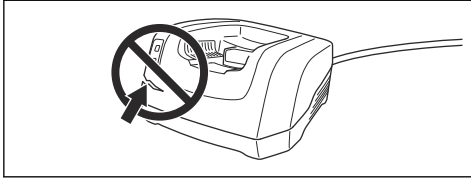


3. Make sure that the battery is not damaged and there are no other defects, such as cracks.



To do a check of the battery charger

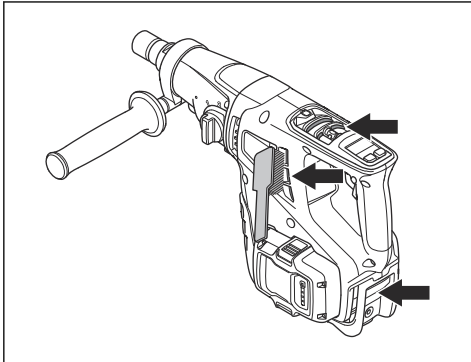
1. Make sure that the battery charger and the power supply cord is not damaged. Look for cracks and other damages.



To clean the cooling system

The cooling system keeps the motor temperature down. The cooling system includes the air intakes, the fan on the motor and the air outlet.

1. Clean the cooling system with a brush weekly or more frequently if it is necessary.



2. Make sure that the cooling system is not dirty or blocked.



CAUTION: A dirty or blocked cooling system can cause the product to

become too hot. This causes damage to the product.

To do maintenance of the diamond drill bit

- Make sure that the diamond tools segments are sharp. Sharpen blunt diamond segments with a SiC grind stone.
- Make sure that there is no vibration in the drill bit. If there is vibration in the drill bit, the diamond segments can come loose.
- Make sure that the diamond segments are sufficiently larger than the inner and outer diameter of the drill bit tube.
- Lubricate the drill bit thread with water resistant grease. This makes it easy to loosen the tool.
- Make sure that the radial run out at the diamond segments of the drill bit is not more than 1 mm.

To replace the gear oil



CAUTION: If there is gear oil leakage, stop the product and speak to an approved service center. The gear becomes damaged if the gear oil level is not sufficient.

- Let an approved HUSQVARNA service center replace the gear oil.

To examine the water connection



CAUTION: If there is a leakage of water from the water connection ring, the shaft seals must be replaced immediately.

- Let an approved HUSQVARNA service center repair the water connection.

Troubleshooting

Troubleshooting of the product

If you cannot find a solution to your problems in this operator's manual, speak to your HUSQVARNA service agent.

Problem	Steps to do immediately	Possible cause	Solution
The motor does not start when the power trigger is pushed.	Release the power trigger.	There is a fault with the battery.	Do a check of the battery.
The product stops.		The drill bit is blocked.	Turn the drill bit right and left, use a wrench. Carefully remove the product from the drill hole.
		Too high load causes overload of the motor.	Make sure that the drill bit can rotate easily in the drill hole.
The drill bit decreases in speed and stops.		The diamond segments are blunt.	Sharpen the diamond segments with a SiC grind stone.
Unwanted material collects around the hole during operation.		The water pressure is too low.	Increase the water pressure. Refer to <i>To prepare the product for wet drilling on page 13</i> .
The diamond segments on the drill bit are pulled out of their bond.		There is much vibration in the product during the operation.	Use correct load when you operate the product.
There is a leakage of gear oil.		The seals are worn out and must be replaced.	Speak to an approved HUSQVARNA service center.
There is a leakage of water from the hole on the water connection ring.		The shaft seals are defective.	Speak to an approved HUSQVARNA service center. Always use clean water.
The product does not operate smoothly.	Decrease the force.	Too high load causes overload of the motor.	Use less force when you drill.

Troubleshooting of the user interface

LED screen	Possible faults	Possible solution
The warning indicator flashes.	Temperature deviation.	Let the product become cool.
	Overload. The drill bit cannot move.	Release the drill bit.
	The power trigger and the On/Off button are pushed at the same time.	Release the power trigger and then push the On/Off button.
The green LED flashes.	Low battery voltage.	Charge the battery.
The warning indicator is on.	Servicing is necessary.	Speak to your servicing dealer.

Transportation, storage and disposal

Transportation and storage

- The supplied Li-ion batteries obey the Dangerous Goods Legislation requirements.
- Obey the special requirement on package and labels for commercial transportation, including by third parties and forwarding agents.
- Speak to a person with special training in dangerous material before you send the product. Obey all applicable national regulations.
- Use tape on open contacts when you put the battery in a package. Put the battery in the package tightly to prevent movement.
- Remove the battery for storage or transportation.
- Put the battery and the battery charger in a space that is dry and frost-free.
- Do not keep the battery in an area where static electricity can occur. Do not keep the battery in a metal box.
- Put the battery in storage where the temperature is between 5°C/41°F and 25°C/77°F and away from open sunlight.
- Put the battery charger in storage where the temperature is between 5 °C/41 °F and 45°C/113°F and away from open sunlight.
- Charge the battery 30% to 50% before you put it in storage for long periods.
- Put the battery charger in storage in a space that is closed and dry.
- Keep the battery away from the battery charger during storage. Do not let children and other not approved persons to touch the equipment. Keep the equipment in a space that you can lock.
- Clean the product and do a full servicing before you put the product in storage for a long time.
- Use the transportation box of the product and remove the battery during transportation and storage.
- Attach the product safely during transportation.

Note: The symbol shows on the product or package of the product.

Disposal

The symbol means that the product is not domestic waste. Recycle it through your local collection system for electrical and electronic equipment. This contributes to proper end of life waste management. Contact local authorities, domestic waste services, your dealer or retailer for information. Incorrect disposal may have potential negative effects on the environment and human health, due to the potential presence of hazardous substances.



Technical data

Technical data

Motor		
Type BLDC (brushless)	36V	
Features E-gear mode	2 gears	
Drill bit		
Max. drill diameter in concrete, mm/in.	100/4	
Min. drill diameter in concrete, mm/in.	25/1	
Weight, kg/lb. (without battery)	4.9/10.8	
Water cooling		
Water coupling	Gardena®	
Maximum water pressure, bar	3	
Tool connection		
Spindle thread	1/4"-7 UNC external, G 1/2" internal	
Operating data	Mech gear 1	Mech gear 2
Speed spindle, no load E-gear 1, rpm	770	2400
Speed spindle, no load E-gear 2, rpm	1400	4450
Drill diameter in concrete, mm/in.	50-100/ 2-4	15-50/ 1/2-2
Dust and slurry		
Drill bit diameter to use a slurry ring, mm/in.	25-100/ 1-4	

Accessory mode

Speed spindle, no load, Accessory mode E-gear 1, rpm	110	346
Speed spindle, no load, Accessory mode E-gear 2, rpm	440	1384

Sound levels



WARNING: Declared vibration total value has been measured in accordance with a standard test method and may be used for comparing one tool with another. The declared vibration total value may also

be used in a preliminary assessment of exposure.



WARNING: The vibration emission during actual use of the power tool can differ from the declared total value depending on the ways in which the tool is used. Also the need to identify safety measures to protect the operator that are based on an estimation of exposure in the actual conditions of use (taking account of all parts of the operating).

Noise emission ¹	
Sound pressure level, measured dB (A)	86
Sound power level, L _{WA} dB (A)	97
Vibration levels when drilling into concrete, a_{h,DD} ²	
Main handle, m/s ²	2.76
Auxiliary handle, m/s ²	1.90

Embedded connectivity

Note: This part is applicable only for products supplied with embedded connectivity.

BLE technology radio spectrum	
Frequency bands for the tool, GHz	2.402-2.480
Maximum radio-frequency power transmitted, dBm/mW	4/2.5

Accessories

Applicable drill stands

- DS 150, recommended for drill bit diameters of maximum 100 mm.

The product is applicable with these HUSQVARNA drill stands:

Dust extractor

Recommended dust extractor ³	
Min. Air flow, m ³ /h /CFM	400/236
Min. Vacuum, kPa/psi	22/3.6
Min. Water lift, m/in.	2.3/90
Dust extractor attachment, mm/in.	50/2

¹ The noise emission are measured in accordance with EN 62841-2-1.

- Uncertainty for the A-weighted sound pressure level K_{pA} is 5 dB(A).
- Uncertainty for the A-weighted sound power level K_{pA} is 5 dB(A).

² Vibration level according to EN 62841-2-1. Reported data for vibration level has a typical statistical dispersion (standard deviation) of 1,5 m/s²

³ Technical data for dust extractors are not conclusively describing actual performance over time between different dust extractors. For HUSQVARNA products objective data are available at www.husqvarnaconstruction.com.

Approved batteries

Battery	BLi 200	BLi 300	40-B330X	B360X
Type	Lithium-ion	Lithium-ion	Lithium-ion	Lithium-ion
Battery capacity, Ah	5.2	9.4	9	10
Nominal voltage, V	36	36	36	36
Weight, kg/lb	1.3/2.9	1.9/4.2	1.9/4.2	1.9/4.2

Approved battery chargers

Battery charger	QC330	QC500	40-C500X
Mains voltage, V	100-240	100-240	100-240
Frequency, Hz	50-60	50-60	50-60
Power, W	330	500	500

Recommended drill bits for the product

We recommend these drill bits for best drill operation with this product:

- Husqvarna ELITE-DRILL
- Husqvarna VARI-DRILL

Service

Approved service center

To find your nearest Husqvarna Construction Products approved service center, go to the web site www.husqvarnaconstruction.com.

Declaration of Conformity

EU Declaration of Conformity

We, **Husqvarna AB**, SE-561 82 Huskvarna, Sweden, tel: +46-36-146500, declare on our sole responsibility that the product:

Description	Hand-held / transportable diamond core drill
Brand	HUSQVARNA
Type/Model	DM 540i
Identification	Serial numbers dating from 2021 and onwards

complies fully with the following EU directives and regulations:

Directive/Regulation	Description
2006/42/EC	"relating to machinery"
2014/53/EU	"relating to radio equipment"
2011/65/EU	"relating to restriction of hazardous substances"

and that the following harmonized standards and/or technical specifications are applied;

EN ISO 12100:2010, EN 62841-1:2014, EN 62841-2-1:2018/A11:2019, EN 62841-3-6:2014+A11:2017, EN 55014-1:2017, EN 55014-2:2015, EN 61000-3-2:2014, EN 61000-3-3:2013, ETSI EN 300 328 V2.1.1, ETSI EN 301 489-1 V2.2.0, ETSI EN 301 489-17 V3.2.0, EN IEC 63000:2018

Partille, 2021-04-28



Erik Silfverberg
R&D Director, Concrete Sawing & Drilling Equipment
Husqvarna AB, Construction Division
Responsible for technical documentation



UK Declaration of Conformity

We, **Husqvarna AB**, SE-561 82 Huskvarna, Sweden, tel:
+46-36-146500, declare on our sole responsibility that
the product:

Description	Hand-held / transportable diamond core drill
Brand	HUSQVARNA
Type/Model	DM 540i
Identification	Serial numbers dating from 2021 and onwards

complies fully with the following UK directives and
regulations:

Regulation	Description
S.I. 2008/1597	The Supply of Machinery (Safety) Regulations 2008
S.I. 2017/1206	The Radio Equipment Regulations 2017
S.I. 2012/3032	The Restriction of the Use of Certain Hazardous Substances in Electrical and Electronic Equipment Regulations 2012

and that the following harmonized standards and/or
technical specifications are applied;

EN ISO 12100:2010, EN 62841-1:2014,
EN 62841-2-1:2018/A11:2019, EN
62841-3-6:2014+A11:2017, EN 55014-1:2017, EN
55014-2:2015, EN 61000-3-2:2014, EN 61000-3-3:2013,
ETSI EN 300 328 V2.1.1, ETSI EN 301 489-1 V2.2.0,
ETSI EN 301 489-17 V3.2.0, EN IEC 63000:2018

Partille, 2021-04-28



Erik Silfverberg
R&D Director, Concrete Sawing & Drilling Equipment
Husqvarna AB, Construction Division
Responsible for technical documentation

UK Importer:
Husqvarna UK Ltd
Preston Road, Co. Durham
DL5 6UP

**UK
CA**

Registered trademarks

The *Bluetooth*[®] word mark and logos are registered trademarks owned by *Bluetooth SIG, inc.* and any use of such marks by HUSQVARNA is under license.



www.husqvarnaconstruction.com

Original instructions



1142788-26 Rev. C



2026-03-31