

GB

Operator's manual

Please read the operator's manual carefully and make sure you understand the instructions before using the machine.

ES

Manual de instrucciones

Lea detenidamente el manual de instrucciones y asegúrese de entender su contenido antes de utilizar la máquina.

PT

Instruções para o uso

Leia as instruções para o uso com toda a atenção e compreenda o seu conteúdo antes de fazer uso da máquina.

GR

Οδηγίες χρήσεως

Διαβάστε προσεκτικά τις Οδηγίες χρήσεως και κατανοήστε το περιεχόμενο πριν χρησιμοποιήσετε το μηχάνημα.

CS 10**GB ES PT GR**

KEY TO SYMBOLS

Symbols on the machine

WARNING! The machine can be a dangerous tool if used incorrectly or carelessly, which can cause serious or fatal injury to the operator or others.

Please read the operator's manual carefully and make sure you understand the instructions before using the machine.

Wear personal protective equipment. See instructions under the "Personal protective equipment" heading.

This product is in accordance with applicable EC directives.

Environmental marking. Symbols on the product or its packaging indicate that this product cannot be handled as domestic waste. It must instead be submitted to an appropriate recycling station for the recovery of electrical and electronic equipment.

By ensuring that this product is taken care of correctly, you can help to counteract the potential negative impact on the environment and people that can otherwise result through the incorrect waste management of this product.

For more detailed information about recycling this product, contact your municipality, your domestic waste service or the shop from where you purchased the product.

Other symbols/decals on the machine refer to special certification requirements for certain markets.



Explanation of warning levels

The warnings are graded in three levels.

WARNING!



WARNING! Used if there is a risk of serious injury or death for the operator or damage to the surroundings if the instructions in the manual are not followed.

CAUTION!



CAUTION! Used if there is a risk of injury to the operator or damage to the surroundings if the instructions in the manual are not followed.

NOTICE!



NOTICE! Used if there is a risk of damage to materials or the machine if the instructions in the manual are not followed.

CONTENTS

Contents

KEY TO SYMBOLS

Symbols on the machine	2
Explanation of warning levels	2

CONTENTS

Contents	3
----------------	---

PRESENTATION

Dear Customer,	4
Design and features	4
What is what on the machine?	5

MACHINE'S SAFETY EQUIPMENT

General	6
---------------	---

ASSEMBLING AND ADJUSTMENTS

General	7
Use with existing track	7
Secure the base plate	7
Assembling the saw	8
Thread the wire	10
Assemble the protective covers	10
Connect the cooling water	11
Connect the power pack	11

OPERATING

Protective equipment	12
General safety precautions	12
Basic working techniques	17
Transport and storage	17

STARTING AND STOPPING

Before starting	18
Starting	18
Work procedure	19
Stopping	19

MAINTENANCE

General	20
Daily maintenance	20
Service	20

TECHNICAL DATA

Technical data	21
Speed and wire speed	21
Recommended diamond wire	21

EC DECLARATION OF CONFORMITY

EC Declaration of Conformity	22
UK Declaration of Conformity	23

PRESENTATION

Dear Customer,

Thank you for choosing a Husqvarna product!

It is our wish that you will be satisfied with your product and that it will be your companion for a long time. A purchase of one of our products gives you access to professional help with repairs and services. If the retailer who sells your machine is not one of our authorised dealers, ask him for the address of your nearest service workshop.

This operator's manual is a valuable document. Make sure it is always at hand at the work place. By following its content (using, service, maintenance etc.) the life span and the second-hand value of the machine can be extended. If you will sell this machine, make sure that the buyer will get the operator's manual.

More than 300 years of innovation

Husqvarna AB is a Swedish company based on a tradition that dates back to 1689, when the Swedish King Charles XI ordered the construction of a factory for production of muskets. At that time, the foundation was already laid for the engineering skills behind the development of some of the world's leading products in areas such as hunting weapons, bicycles, motorcycles, domestic appliances, sewing machines and outdoor products.

Husqvarna is the global leader in outdoor power products for forestry, park maintenance and lawn and garden care, as well as cutting equipment and diamond tools for the construction and stone industries.

Owner responsibility

It is the owner's/employer's responsibility that the operator has sufficient knowledge about how to use the machine safely. Supervisors and operators must have read and understood the Operator's Manual. They must be aware of:

- The machine's safety instructions.
- The machine's range of applications and limitations.
- How the machine is to be used and maintained.

National legislation could regulate the use of this machine. Find out what legislation is applicable in the place where you work before you start using the machine.

The manufacturer's reservation

Subsequent to publishing this manual Husqvarna may issue additional information for safe operation of this product. It is the owner's obligation to keep up with the safest methods of operation.

Husqvarna AB has a policy of continuous product development and therefore reserves the right to modify the design and appearance of products without prior notice.

For customer information and assistance, contact us at our website: www.husqvarna.com

Design and features

Values such as high performance, reliability, innovative technology, advanced technical solutions and environmental considerations distinguish Husqvarna's products. Safe operation of this product requires the operator to read this manual carefully. Ask your dealer or Husqvarna should you need more information.

Some of the unique features of your product are described below.

Combination saw

CS 10 is a combination saw with a wall saw as its driving source. Existing equipment can be used to drive the wire saw.

This machine is only intended for use together with Husqvarna WS 440 HF + PP 440 HF or WS 482 HF + PP 480 HF.

Swivel pulleys

The open swivel pulleys are used as the incoming and outgoing pulley on the saw. They can swivel along the cutting line or be set to fixed position.

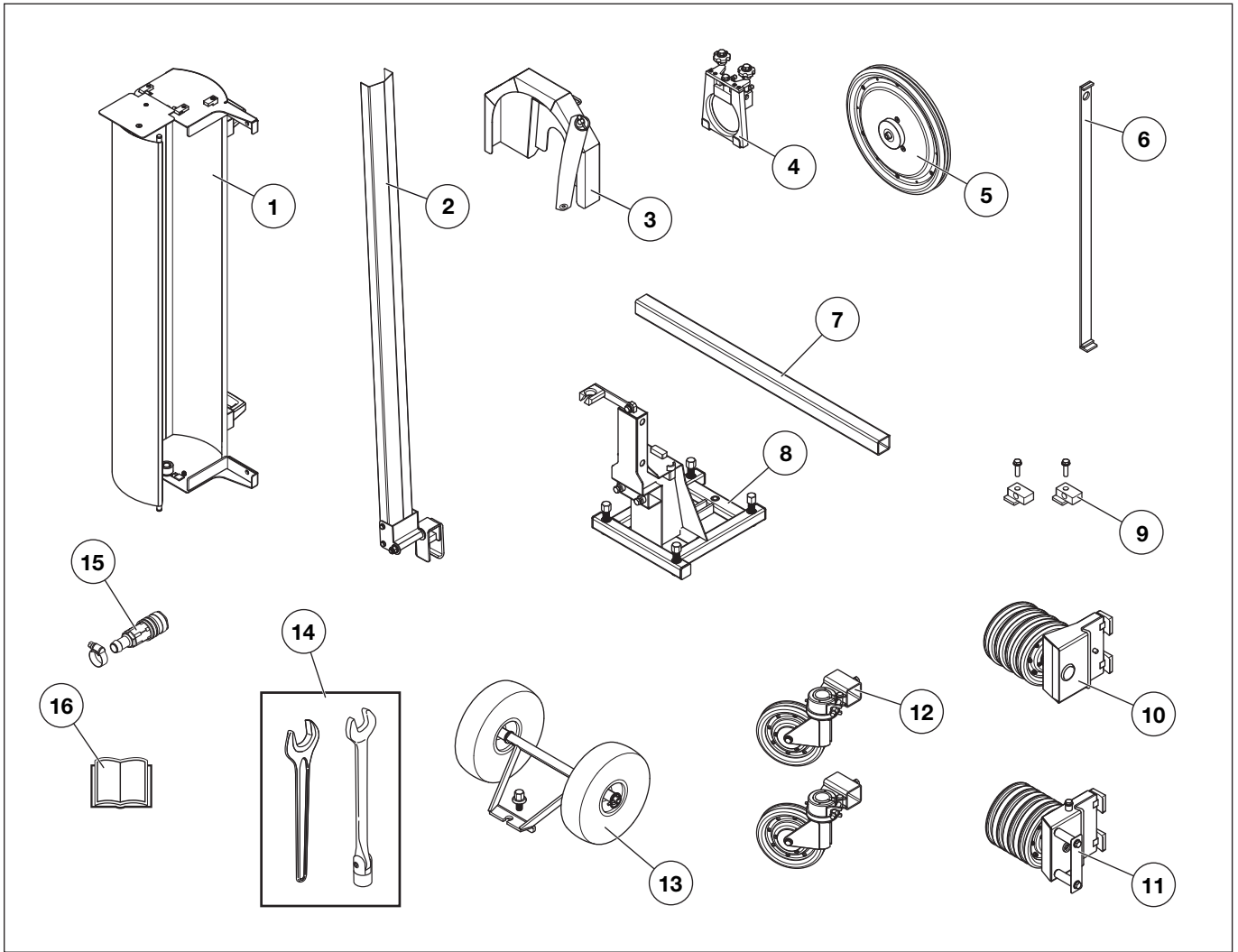
Large magazine capacity

Max. wire through the saw is 11,7 m (38 ft) and the magazine capacity is 10 m (33 ft).

Right or left handed setup

The saw can be assembled in a right or a left position. This is useful when you need to cut close to corners.

PRESENTATION



What is what on the machine?

- | | |
|----------------------|----------------------------|
| 1 Wheel guard | 9 Mounting, magazine cover |
| 2 Wire guard | 10 Upper magazine |
| 3 Drive pulley guard | 11 Lower magazine |
| 4 Guard holder | 12 Swivel pulleys |
| 5 Drive pulley | 13 Transport wheels |
| 6 Drill fixture | 14 Tool kit |
| 7 Beam | 15 Water connector |
| 8 Base plate | 16 Operator's manual |

MACHINE'S SAFETY EQUIPMENT

General



WARNING! Never use a machine that has faulty safety equipment! If your machine fails any checks contact your service agent to get it repaired.

This section describes the machine's safety equipment, its purpose, and how checks and maintenance should be carried out to ensure that it operates correctly.

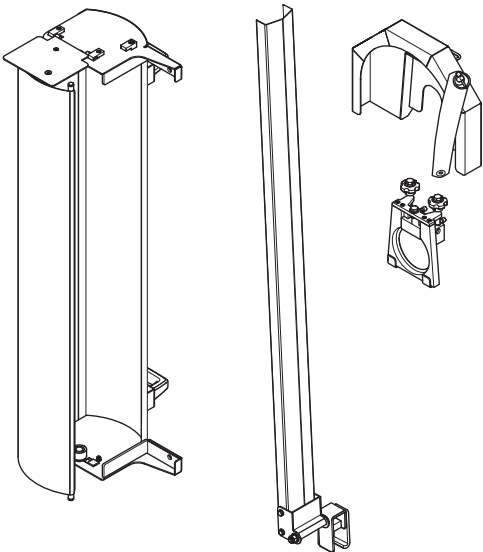
This machine is used in combination with other products. Please read the manual provided with the products carefully and make sure you understand the instructions before using the machine.

Protective covers



WARNING! Never use the machine without a guard nor with a defective guard. Always check that the guards are correctly fitted before starting the machine.

The protective covers are designed to protect from accidental contact with the cutting equipment and to reduce the risk of accidents in case of a broken wire.



Inspection of the protective covers



WARNING! Shut down the machine and disconnect the power plug.

- Check the protective covers for cracks or other damages. Replace damaged covers.

ASSEMBLING AND ADJUSTMENTS

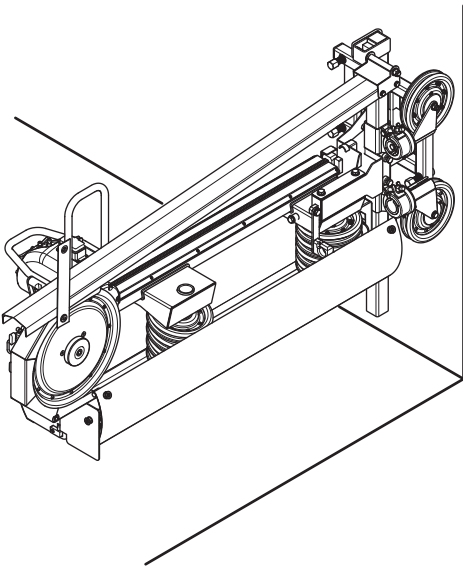
General



WARNING! Always position the saw so that you can stand without the risk of being hit by a broken wire. Ensure that no unauthorised persons can access the working area while cutting. Being hit by a broken wire can result in death or serious personal injury.

Cutting needs to be planned carefully before assembling the saw so that it can be performed as easily as possible.

- The saw can both be mounted on the wall and standing on the ground.
- The saw can be assembled in a right or a left position. This is useful when you need to cut close to corners.

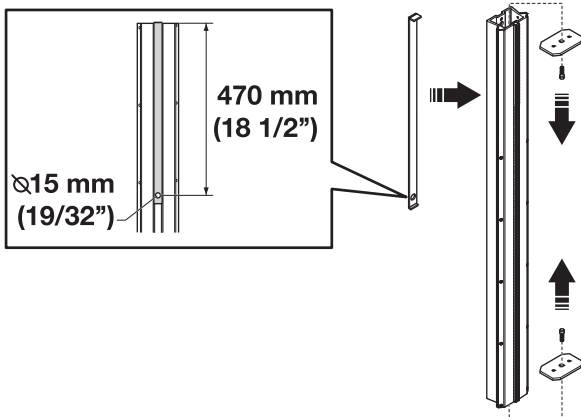


- It may be necessary to drill holes to thread the wire through the material to be cut.

Use with existing track

When used with an existing track some adjustments need to be made.

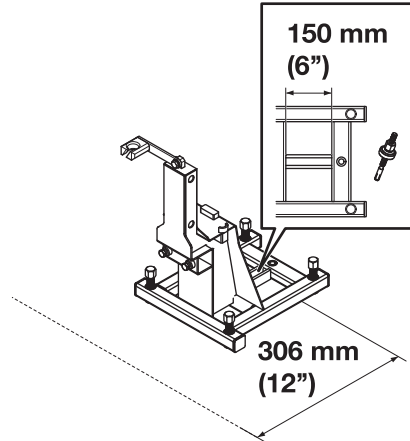
- Remove the end stops.



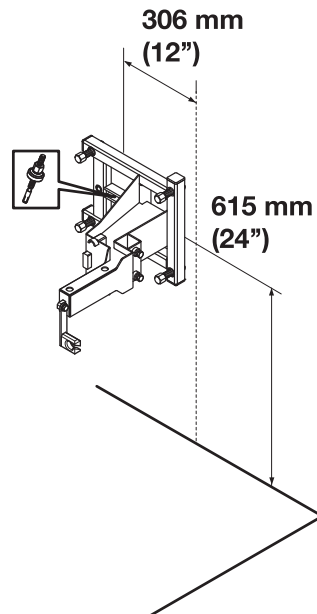
- Drill a 15 mm (19/32") hole, 470 mm (18 1/2") from the top end of the rail. Use the supplied drill fixture. The hole is needed when mounting the upper magazine.

Secure the base plate

- Position the saw in an appropriate position in front of the planned cut.
- Secure the saw with an anchor bolt.
- The distance from cutting line to bolt is 306 mm (12").



- When cutting vertical cuts with the saw mounted on the wall, the smallest distance from ground to bolt is 615 mm (24").

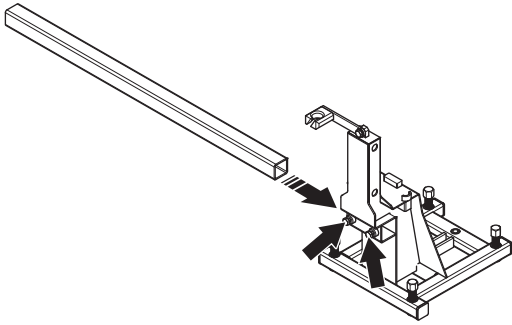


- When the base plate is anchored, screw down the adjuster feet so that the saw stands firmly.

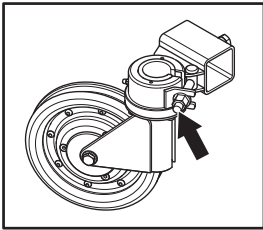
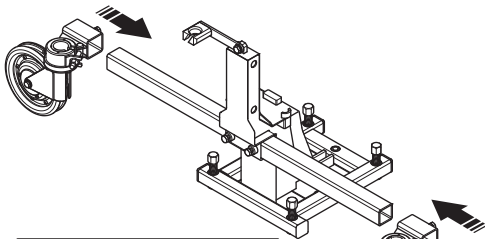
ASSEMBLING AND ADJUSTMENTS

Assembling the saw

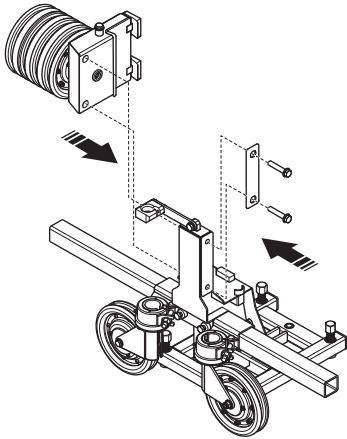
- Mount the beam on the base plate.



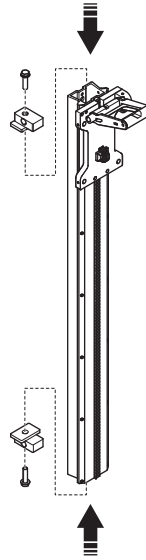
- Mount the swivel pulleys on the beam. The swivel pulleys can be set to a fixed position by tightening the nut.



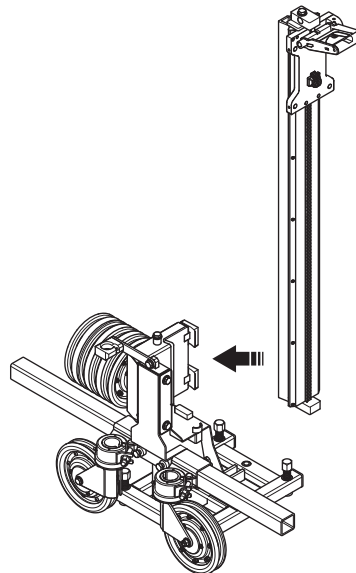
- Mount the lower magazine on the bottom plate. It can be mounted on both the right and the left side.



- Mount the brackets for the magazine cover on the rail.

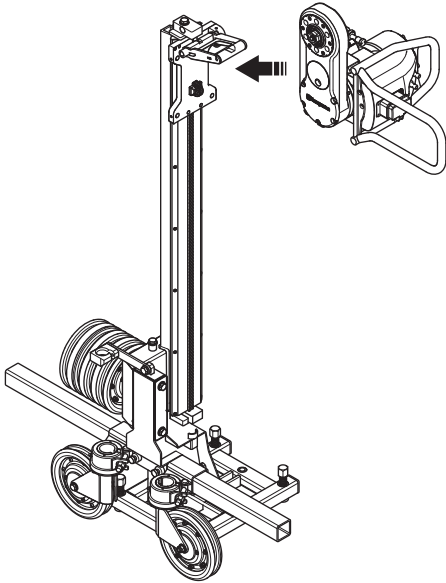


- Mount the rail in the mounting on the lower magazine. The drilled hole for mounting the upper magazine should face upwards.



ASSEMBLING AND ADJUSTMENTS

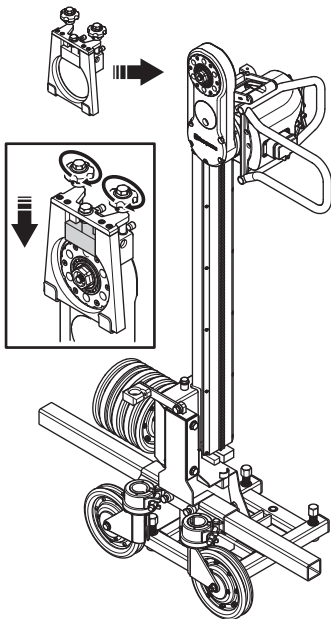
- Mount the saw motor in the saw carriage.



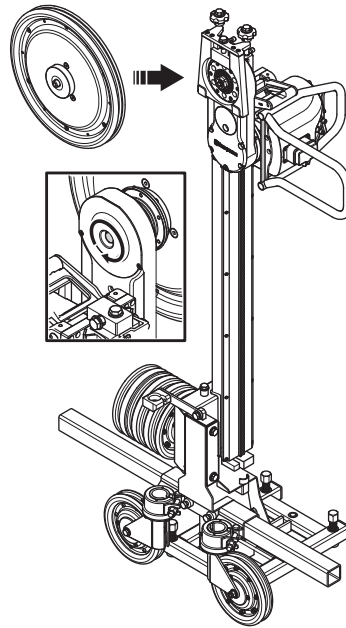
WARNING! The cutting arm should always point in the same direction as the rail. The depth feeding function must not be used when sawing with a wire. Carelessness can result in serious personal injury or even death.

NOTICE! Ensure that the plastic cover on the saw is pointed upwards when the saw is wall mounted, in order to prevent water and dirt from accumulating inside the cover.

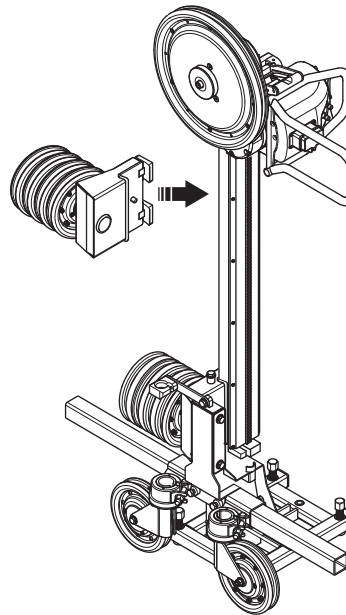
- Mount the guard bracket on the saw motor. Screw the fixing knobs down to lock the guard bracket.



- Mount the drive wheel on the saw motor. Fasten the locking screw to lock the drive wheel.



- Mount the upper magazine on the rail. Align the pin on the magazine mounting with the hole on the rail.

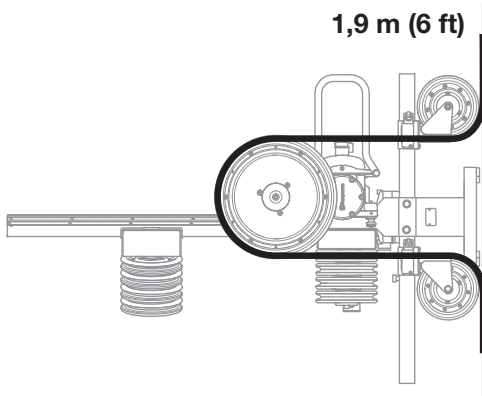


ASSEMBLING AND ADJUSTMENTS

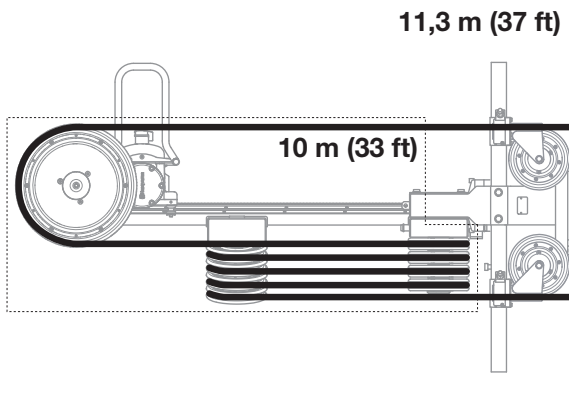
Thread the wire

NOTICE! A used wire must always be run in the same direction, as it was previously run in order to prevent unnecessary wear.

- Drive the saw carriage down as far as possible.
- Place the wire around the work piece, possibly through the predrilled holes and back to the saw.
- At min. wire through the saw, 1.7 m (6 ft), only place wire over the drive wheel.



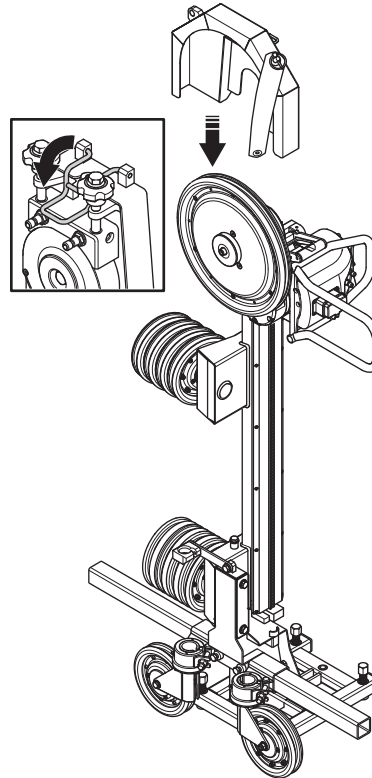
- As the cutting goes along, thread the wire through a suitable number of wheel pairs in the magazine. Max. wire through the saw is 11,3 m (37 ft) and the magazine capacity is 10 m (33 ft).



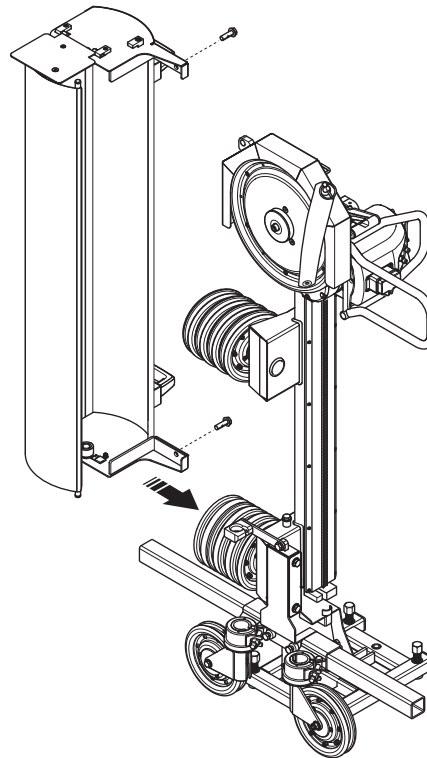
- Before the joints on the wire are connected, the wire should be twisted 1 to 2 turns per metre wire used. It is important to twist the wire in the same direction as it is spun. This is to give as even wear as possible on the wire's diamond segments. A closed wire does not need to be split before you thread it through the machine.

Assemble the protective covers

- Thread the drive wheel guard over the guard bracket. Fasten the guard with the bail.

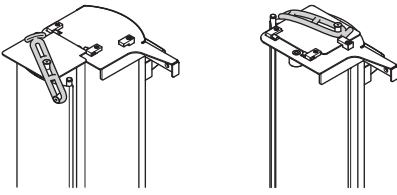


- Mount the magazine cover in the mountings.

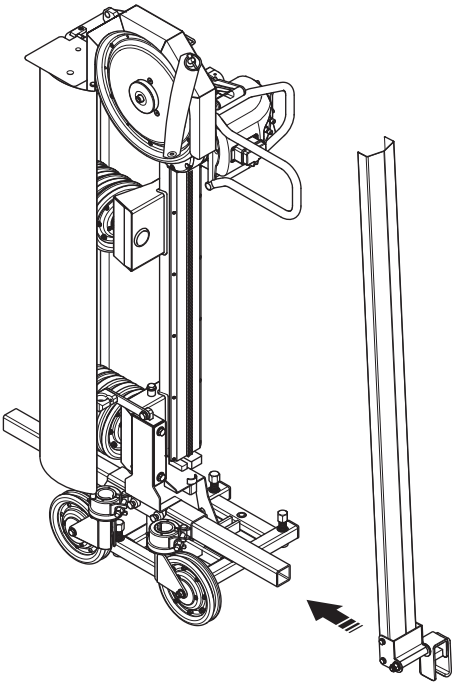


ASSEMBLING AND ADJUSTMENTS

- The magazine cover can be locked i closed and opened position using the rubber strap.

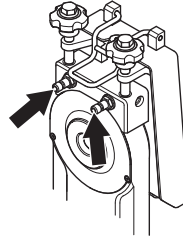


- Mount the wire guard on the beam and through the bracket on the drive wheel guard.



Connect the cooling water

- Connect a water hose from the saw motor to one of the connectors on the guard bracket.



- The water cools off the cutting arm.
- From the other connector on the guard bracket you can lead the water through a water hose or a water lance to cool off the wire.
- The water spears are then placed where the wire enters the concrete. In this way the wire takes water with it into the cut, which results in the concrete dust binding and that the wire is cooled efficiently.

NOTICE! In order for the water to cool the wire as intended during cutting, it is essential to adjust the position of the cooling water as the material is cut. Remember to always stop the machine when you do this.

Connect the power pack

- See instructions in the operator's manual for the saw motor and the power pack in question.

OPERATING

Protective equipment

General

Do not use the machine unless you are able to call for help in the event of an accident.

Personal protective equipment

You must use approved personal protective equipment whenever you use the machine. Personal protective equipment cannot eliminate the risk of injury but it will reduce the degree of injury if an accident does happen. Ask your dealer for help in choosing the right equipment.



WARNING! The use of products such as cutters, grinders, drills, that sand or form material can generate dust and vapours which may contain hazardous chemicals. Check the nature of the material you intend to process and use an appropriate breathing mask.



WARNING! Long-term exposure to noise can result in permanent hearing impairment. So always use approved hearing protection. Listen out for warning signals or shouts when you are wearing hearing protection. Always remove your hearing protection as soon as the engine stops.



WARNING! There is always a risk of crush injuries when working with products containing moving parts. Wear protective gloves to avoid body injuries.

Always wear:

- Protective helmet
- Hearing protection
- Protective goggles or a visor
- Breathing mask
- Heavy-duty, firm grip gloves.
- Tight-fitting, heavy-duty and comfortable clothing that permits full freedom of movement.
- Boots with steel toe-caps and non-slip sole.

Be careful as clothing, long hair, and jewellery can get caught in moving parts.

Other protective equipment



WARNING! Sparks may appear and start a fire when you work with the machine. Always keep fire fighting equipment handy.

- Fire fighting equipment
- Always have a first aid kit nearby.

General safety precautions

This section describes basic safety directions for using the machine. This information is never a substitute for professional skills and experience.

- Please read the operator's manual carefully and make sure you understand the instructions before using the machine.
- This machine is used in combination with other products. Please read the manual provided with the products carefully and make sure you understand the instructions before using the machine.
- Keep in mind that the operator is responsible for accidents or hazards occurring to other people or their property.
- All operators shall be trained in the use of the machine. The owner is responsible for ensuring that the operators receive training.
- The machine must be kept clean. Signs and stickers must be fully legible.



WARNING! The machine can be a dangerous tool if used incorrectly or carelessly, which can cause serious or fatal injury to the operator or others.

Never allow children or other persons not trained in the use of the machine to use or service it. Never allow anyone else to use the machine without first ensuring that they have read and understood the contents of the operator's manual.

Never use the machine if you are fatigued, while under the influence of alcohol or drugs, medication or anything that could affect your vision, alertness, coordination or judgement.

There is always a risk of shocks from electrically powered machines. Avoid unfavourable weather conditions and body contact with lightning conductors and metal objects. Always follow the instructions in the Operator's manual to avoid damage.



WARNING! Unauthorized modifications and/or accessories may lead to serious injury or death to the user or others.

Do not modify this product or use it if it appears to have been modified by others.

Never use a machine that is faulty. Carry out the safety checks, maintenance and service instructions described in this manual. Some maintenance and service measures must be carried out by trained and qualified specialists. See instructions under the Maintenance heading.

Always use genuine accessories.

Always use common sense

It is not possible to cover every conceivable situation you can face. Always exercise care and use your common sense. If you get into a situation where you feel unsafe, stop and seek expert advice. Contact your dealer, service agent or an experienced user. Do not attempt any task that you feel unsure of!

Work area safety



WARNING! The safety distance to all moving parts is a minimum of 1,5 m. You are responsible to ensure that animals and onlookers are not within the working area.

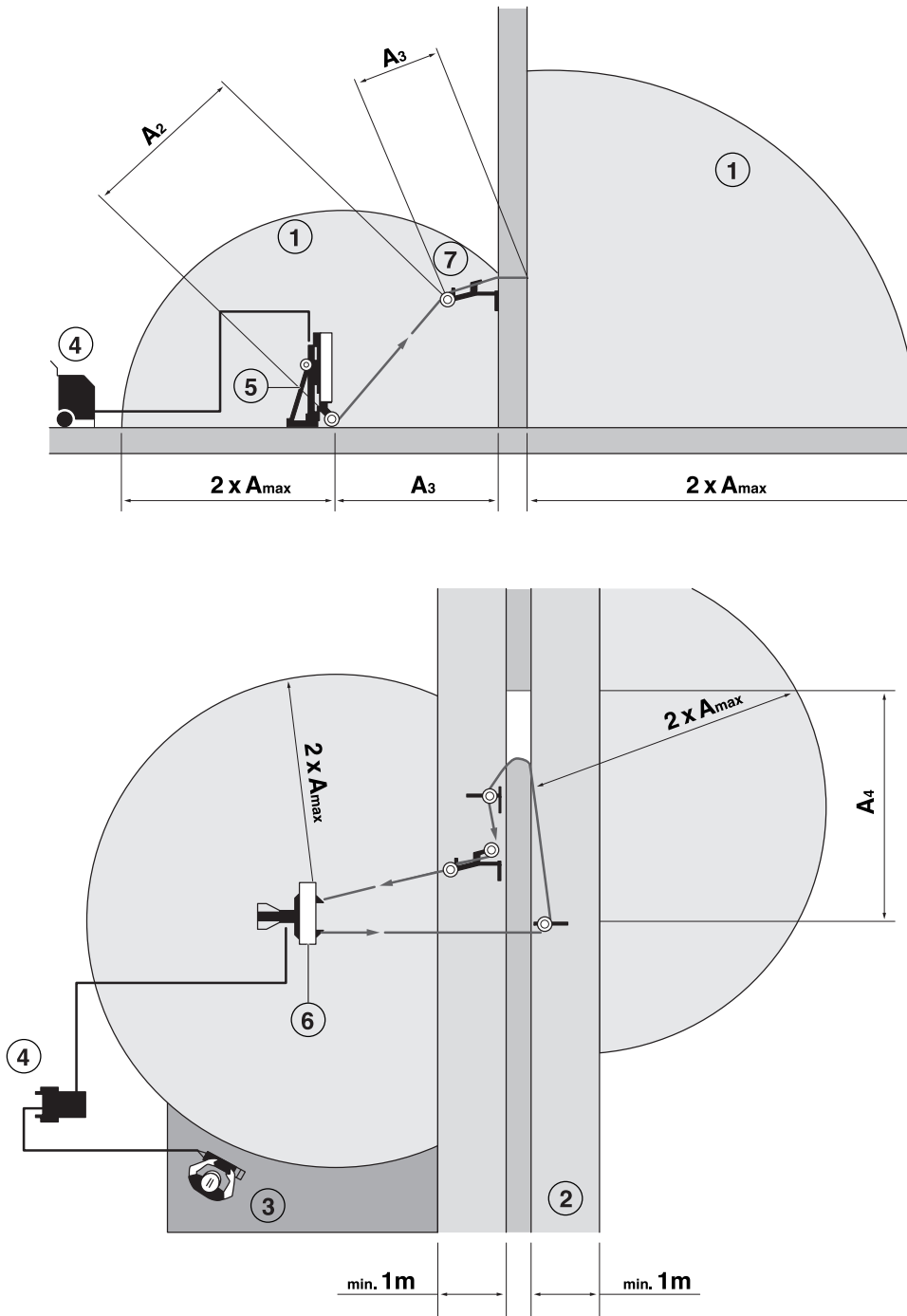
- Observe your surroundings to ensure that nothing can affect your control of the machine. Never leave the machine unsupervised with the motor running.
- Do not use the machine in bad weather, such as dense fog, heavy rain, strong wind, intense cold, etc. Working in bad weather is tiring and often brings added risks, such as icy ground.
- Ensure that the working area is sufficiently illuminated to create a safe working environment.
- Never start to work with the machine before the working area is clear and you have a firm foothold.
- Make sure that no pipes or electrical wires are routed in the work piece or in the working area.
- Make sure that electrical cables within the working area are not live.

OPERATING

The machine's risk area

Nobody is permitted to be within the machine's risk area when work is underway. This also applies for the operator.

Wall cutting

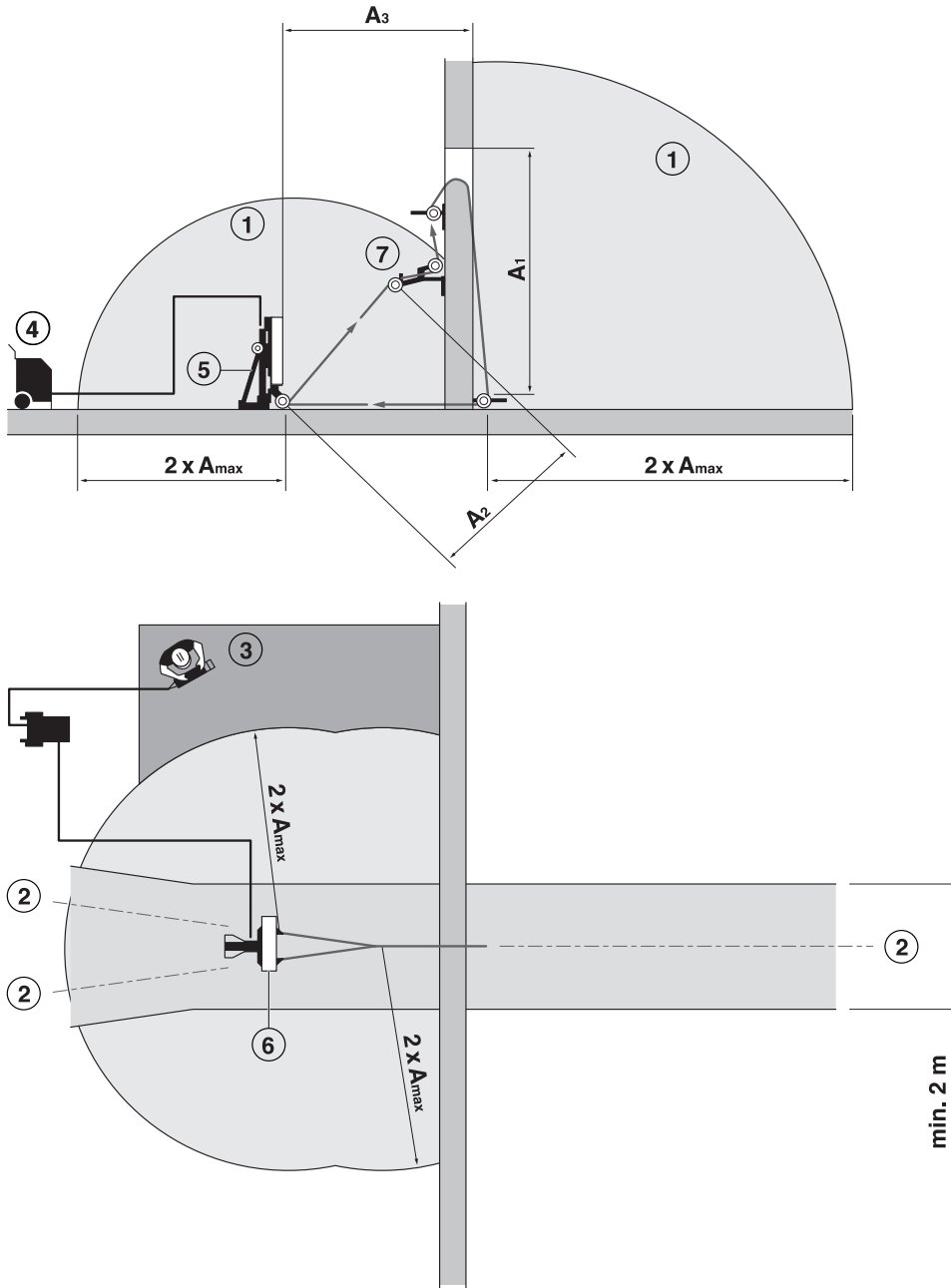


(A_{max}) Largest free running wire section (A_1 - A_4)

- 1 Risk area
- 2 Risk area of the horizontal projection of the wire towards the operator
- 3 Recommended operator position
- 4 Power pack
- 5 Wire drive unit
- 6 Wire guard
- 7 Pulley wheels

OPERATING

Cutting with additional pulley wheels

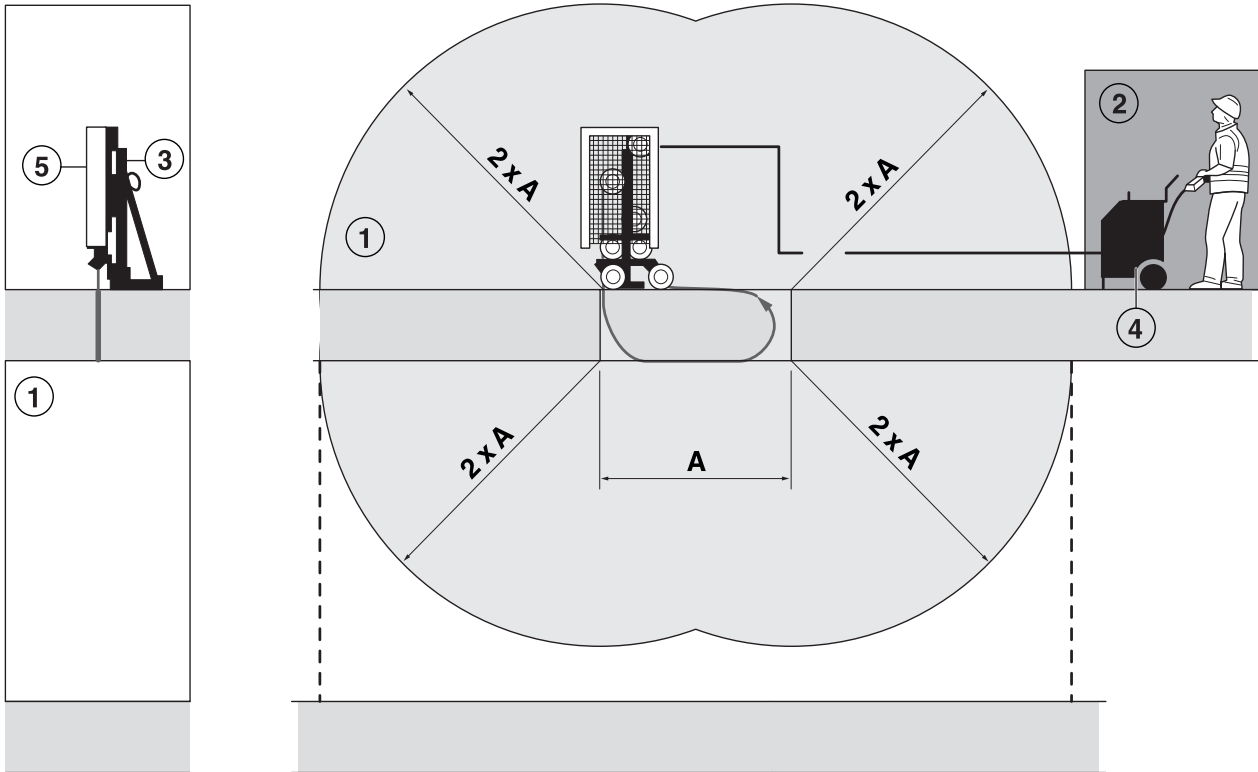


(A_{max}) Largest free running wire section (A_1 - A_3)

- 1 Risk area
- 2 Risk area of the horizontal projection of the wire towards the operator
- 3 Recommended operator position
- 4 Power pack
- 5 Wire drive unit
- 6 Wire guard
- 7 Pulley wheels

OPERATING

Floor cutting



(A) Largest free running wire section

- 1 Risk area
- 2 Recommended operator position
- 3 Wire drive unit
- 4 Power pack
- 5 Wire guard

Basic working techniques

- This machine is only intended for use together with Husqvarna WS 440 HF + PP 440 HF or WS 482 HF + PP 480 HF.
- This machine is designed for and intended for sawing concrete, brick and different stone materials. All other use is improper.
- The machine is intended for use in industrial applications by experienced operators.
- Never use the machine if you are fatigued, while under the influence of alcohol or drugs, medication or anything that could affect your vision, alertness, coordination or judgement.
- Keep all parts in good working order and ensure that all fixtures are properly tightened.
- Check that the guards are mounted correctly and do not show any signs of damage. Never cut without using the guard.
- Only use wire recommended by the manufacturer. Ask your dealer for help in choosing the right product.
- Never use worn or damaged wire.
- A used wire must always be run in the same direction, as it was previously run in order to prevent unnecessary wear.
- Never cut without using the cooling water. A poorly cooled wire can result in the segments overheating, which results in greater wear. In the worst case scenario, segments can come loose from the wire and injure persons close to the saw.
- Clearly mark out all cuts to be made before you start sawing, plan these so they can be carried out without danger to persons or the machine.
- Firmly secure or anchor concrete blocks before cutting. The heavy weight of cut material can cause both extensive damage to the machine and serious personal injury if it cannot be moved under controlled conditions.
- Never leave the machine unsupervised with the motor running.
- Never saw in such a way that you cannot easily reach the emergency stop on the remote control or on the power pack. See power pack manual.
- Observe care when lifting. You are handling heavy parts, which imply the risk of pinch injuries or other injuries.

Transport and storage

- Always switch off the power pack and pull out the electric cable before moving the equipment.
- Secure the equipment during transportation in order to avoid transport damage and accidents.
- Store the equipment in a lockable area so that it is out of reach of children and unauthorized persons.

STARTING AND STOPPING

Before starting



WARNING! The machine requires software for wire cutting to be installed in the remote control and in the power pack. Equipment that does not have this software must be submitted to an authorized servicing dealer for upgrading. The machine must not be used until new software has been installed.

Please read the operator's manual carefully and make sure you understand the instructions before using the machine.

This machine is used in combination with other products. Please read the manual provided with the products carefully and make sure you understand the instructions before using the machine.

Wear personal protective equipment. See instructions under the "Personal protective equipment" heading.

Make sure no unauthorised persons are in the working area, otherwise there is a risk of serious personal injury.

- Check that the machine is assembled correctly and do not show any signs of damage. See instructions in the section "Assembling and adjustments".
- Perform daily maintenance. See instructions in the section "Maintenance".

Starting

- Follow the instructions for starting in the manual supplied with the power pack.

Addition to starting instructions for wire cutting

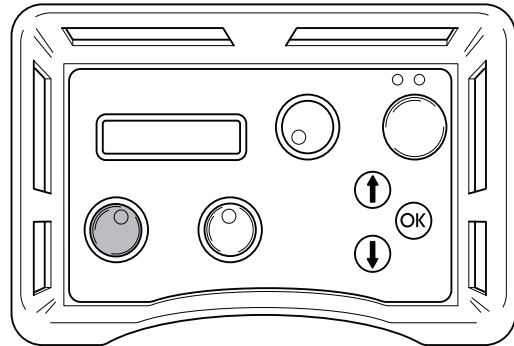
- **WS 482 HF:** The remote control display shows "SELECT GEAR". Select "Gear 2". Confirm with "OK".
- Go to the option "DRIVING MODE" in the operating menu by navigating with the arrow keys.
- Select "Wire". Confirm with "OK".

Align the cutting arm



WARNING! When the cutting arm is aligned with the rail the depth feeding control must not be used anymore. Carelessness can result in serious personal injury or even death.

- Before starting to cut you must position the cutting arm so that it is aligned with the rail. You do this with the depth feeding control. When the cutting arm is aligned with the rail the depth feeding control must not be used anymore.



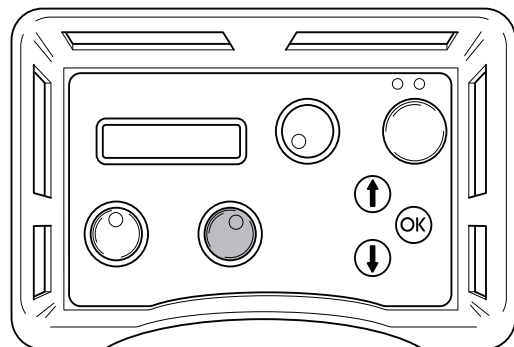
During operation the depth feeding control is disabled.

Tension the wire



WARNING! Do not over-tension the wire! An over-tensioned wire will brake the rotation and can result in the wire breaking. Carelessness can result in serious personal injury or even death.

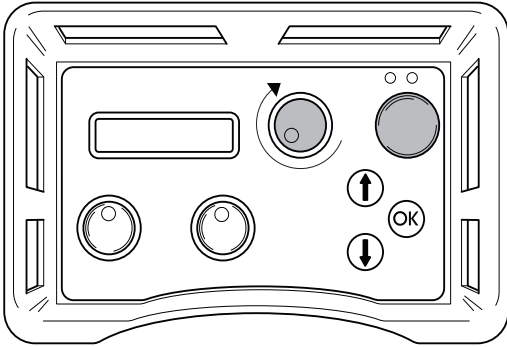
- Check that the wire is seated correctly in all the wheels.
- Tension the wire against the cutting line by turning the travel feeding control. The wire should rest against all wheels and against the work piece.



STARTING AND STOPPING

Start the rotation

- Hold down the green start button while turning the rotation control clockwise to start the rotation. Turn the control gently. Start with low rotating speed.
- Check that the rotation is turning in the desired direction. Under the heading **BLADE ROTATION** in the operations menu the rotation can be set to the desired direction.



If the drive wheel cannot start the rotation of the wire the reason may be one of the following:

- The wire is too tight. Ease the tension.
- The guide wheels are not properly adjusted. Adjust the guide wheels.
- The contact surface against the work piece is too large. Add a pulley wheel.

Work procedure



WARNING! Do not cut continuously on max. power output (100%)! This can cause an over-tension of the wire that will cause it to break. Carelessness can result in serious personal injury or even death.

- When the wire has engaged in the cut, you can slowly increase the speed until the desired level is obtained. See the table "Speed and wire speed" under the heading "Technical data".
- On the display you can check the output in percentage. During cutting, the value is generally between 50 and 100%.

The power output used for cutting depends on factors such as the saw unit used, how large the wire's contact surface against the work piece is, chosen output mode etc.

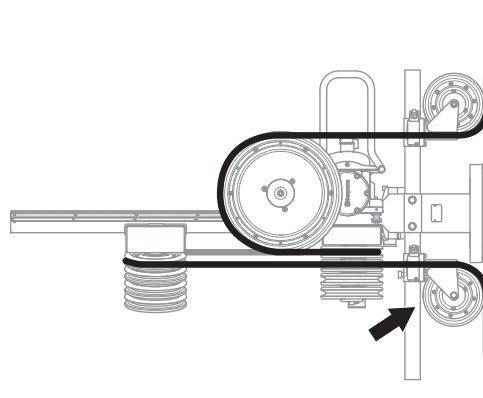
Be careful and rather use a lower output to decrease the risk of the wire breaking.

- Keep the wire tensioned as the material is cut off.

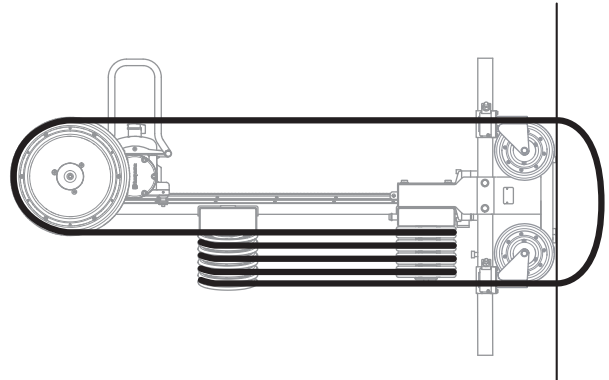
Storing the wire

When the saw unit has reached its end position on the rail, the wire must be stored.

- Stop the rotation.
- Move the saw to the starting position, at the far end against the bottom plate.
- Put the wire around the magazine wheels and adjust the guide wheel closest to the outgoing magazine wheel.



- When the cut is completed the guide wheels should be adjusted so that the wire can be caught once it is through the work piece.



Stopping

- Turn the rotation and travel feeding controls to their zero positions.
- Follow the instructions in the manual supplied with the power pack.

General



WARNING! The user must only carry out the maintenance and service work described in this Operator's Manual. More extensive work must be carried out by an authorized service workshop.

Shut down the machine and disconnect the power plug.

Wear personal protective equipment. See instructions under the "Personal protective equipment" heading.

The life span of the machine can be reduced and the risk of accidents can increase if machine maintenance is not carried out correctly and if service and/or repairs are not carried out professionally. If you need further information please contact your nearest service workshop.

Daily maintenance

- Check that the machine's safety equipment is undamaged. See instructions in the section "Machine's safety equipment".
- Clean the outside of the machine. Do not use a high pressure washer to clean the saw.
- Check that the rubber in the guide wheels is in place and not worn.
- Check the bearings. Rotate the wheels by hand and make sure they rotate freely.

Service

In addition to the daily maintenance such as cleaning and lubrication, the machine must be serviced. After 50 hours of cutting, the machine should be serviced at an accredited Husqvarna workshop. The saw should then be serviced after every 100 hours of operation. The service is important so that as the user you have a machine that works as effectively as possible for a long time.

TECHNICAL DATA

Technical data

Power - max, kW/hp

WS 440 HF	13/17.5
WS 482 HF	19/25.6

Speed, rpm

0-1200

Starting torque, Nm

WS 440 HF	100
WS 482 HF (Gear 2)	160

Magazine capacity, m/ft

10/33

Wire capacity, m/ft

1,9-11,3 / 6-37

Weight, kg/lbs

WS 440 HF	135/298
WS 482 HF	138 / 304

Direction of rotation

Both directions

Degree of protection

IP 65

Wire speed (at 1200 rpm), m/s / ft/s

24/79

Noise emissions (see note 1)

Sound power level, measured dB (A)	99
Sound power level, guaranteed L _{WA} dB (A)	100

Sound levels (see note 2)

Sound pressure level at the operators ear, dB(A)	86
--	----

Note 1: Noise emissions in the environment measured as sound power (L_{WA}) in conformity with EN 15027/A1.

Note 2: Noise pressure level according to EN 15027/A1. Reported data for noise pressure level has a typical statistical dispersion (standard deviation) of 1.0 dB(A).

Speed and wire speed

Spindle speed, rpm	Wire speed, m/s	Wire speed, ft/s
1000	20	66
1100	22	72
1200	24	79

Recommended diamond wire

Model	Abrasive materials	Lime concrete	Reinforcement degree		
			Low	Medium	High
C 710	-	-	Good	Optimal	Good
C 760	Acceptable	Good	Optimal	Good	Acceptable
C 1000	Good	Good	Good	Optimal	Good
C 1200	Good	Acceptable	Acceptable	Good	Optimal

TECHNICAL DATA

EC Declaration of Conformity

(Applies to Europe only)

We, **Husqvarna AB**, SE 561 82 Huskvarna, SWEDEN, Tel. +46 36 146500 declare on our sole responsibility that the product:

Description	Wall saw
Brand	HUSQVARNA
Type / Model	CS 10
Identification	Serial numbers dating from 2018 and onwards

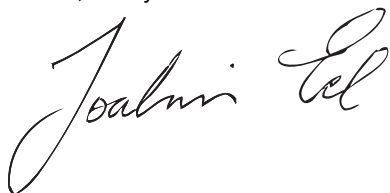
complies fully with the following EU directives and regulations:

Directive/Regulation	Description
2006/42/EC	"relating to machinery"
2011/65/EU	"relating to restriction of hazardous substances"

and that harmonized standards and/or technical specifications are applied as follows;

EN ISO 12100:2010
EN 15027/A1:2009

Partille, 3 May 2018



Joakim Ed

Global R&D Director

Responsible for technical documentation

TECHNICAL DATA

UK Declaration of Conformity

We, Husqvarna AB, SE-561 82 Huskvarna, SWEDEN, Tel:
+46 36 146500 declare on our sole responsibility that the
product:

Description	Wall Saw
Brand	Husqvarna
Type/Model	CS 10
Identification	Serial numbers dating from 2021 and onwards

complies fully with the following UK directives and
regulations:

Regulation	Description
S.I. 2008/1597	The Supply of Machinery (Safety) Regulations 2008
S.I. 2016/1091	Electromagnetic Compatibility Regulations 2016
S.I. 2016/1101	The Electrical Equipment (Safety) Regulations 2016
S.I. 2012/3032	The Restriction of the Use of Certain Hazardous Substances in Electrical and Elec- tronic Equipment Regulations 2012

and that the following harmonized standards and/or
technical specifications are applied;

EN ISO 12100:2010

EN 55014-1:2006+A1:2009+A2:2011

EN 55014-2:2015

EN 61000-3-11:2000

EN 15027/A1:2009

EN IEC 63000:2018

Partille, 2022-06-10



Erik Silfverberg

R&D Director, Concrete Sawing & Drilling Equipment

Husqvarna AB, Construction Division

Responsible for technical documentation

**UK
CA**

UK Importer:
Husqvarna UK Limited
Preston Road, Aycliffe
Business Park Newton
Aycliffe, County Durham
UK DL5 6UP

ACLARACIÓN DE LOS SÍMBOLOS

Símbolos en la máquina

¡ATENCIÓN! La máquina, si se utiliza de forma errónea o descuidada, puede ser una herramienta peligrosa que puede causar daños graves e incluso la muerte al usuario y a otras personas.



Lea detenidamente el manual de instrucciones y asegúrese de entender su contenido antes de utilizar la máquina.



Utilice el equipo de protección personal. Vea las instrucciones bajo el título "Equipo de protección personal".



Este producto cumple con la directiva CE vigente.



Etiquetado ecológico. El símbolo en el producto o en su envase indica que no se puede tratar este producto como desperdicio doméstico. Deberá por lo tanto depositarse en un centro de recogida adecuado para el reciclado de equipos eléctricos y electrónicos.



Haciendo que este producto sea manipulado adecuadamente, se ayuda a evitar consecuencias negativas potenciales para el medio ambiente y las personas, lo que puede ocurrir con la manipulación inadecuada como residuos del producto.

Para obtener información más detallada sobre el reciclado de este producto, contacte con la oficina municipal local, con el servicio de eliminación de desperdicios domésticos o con la tienda donde compró el producto.

Los demás símbolos/etiquetas que aparecen en la máquina corresponden a requisitos de homologación específicos en determinados mercados.

Explicación de los niveles de advertencia

Las advertencias se clasifican en tres niveles.

¡ATENCIÓN!



¡ATENCIÓN! Indica un riesgo de daños graves para el usuario o incluso muerte, o bien daños al entorno, si no se siguen las instrucciones del manual.

¡NOTA!



¡NOTA! Indica un riesgo de lesiones para el usuario o daños al entorno si no se siguen las instrucciones del manual.

AVISO

AVISO Indica un riesgo de daños en los materiales o en la máquina si no se siguen las instrucciones del manual.

Índice

ACLARACIÓN DE LOS SÍMBOLOS

Símbolos en la máquina	24
Explicación de los niveles de advertencia	24

ÍNDICE

Índice	25
--------------	----

PRESENTACIÓN

Apreciado cliente:	26
Diseño y funciones	26
¿Qué es qué en la máquina?	27

EQUIPO DE SEGURIDAD DE LA MÁQUINA

Generalidades	28
---------------------	----

MONTAJE Y AJUSTES

Generalidades	29
Utilice el riel existente.	29
Fije la placa base.	29
Monte la sierra	30
Introducción del cable	32
Montaje de las tapas protectoras	32
Conexión de la refrigeración por agua	33
Conecte la unidad eléctrica	33

FUNCIONAMIENTO

Equipo de protección	34
Instrucciones generales de seguridad	34
Técnica básica de trabajo	39
Transporte y almacenamiento	39

ARRANQUE Y PARADA

Antes del arranque	40
Arranque	40
Procedimiento de trabajo	41
Parada	41

MANTENIMIENTO

Generalidades	42
Mantenimiento diario	42
Servicio	42

DATOS TÉCNICOS

Datos técnicos	43
Velocidad y velocidad del cable	43
Cable de diamante recomendado	43

DECLARACIÓN CE DE CONFORMIDAD

Declaración CE de conformidad	44
-------------------------------------	----

PRESENTACIÓN

Apreciado cliente:

Gracias por elegir un producto Husqvarna.

Esperamos que su máquina le proporcione plena satisfacción y le sirva de ayuda por mucho tiempo en adelante. La adquisición de alguno de nuestros productos da acceso a asistencia profesional con reparaciones y servicio. Si la máquina no fue adquirida en un distribuidor oficial, preguntar en la tienda de compra la dirección del taller de servicio más cercano.

Este manual de instrucciones es un documento importante. Procure tenerlo siempre a mano en el lugar de trabajo. Siguiendo sus instrucciones (de uso, servicio, mantenimiento etcétera) puede alargar considerablemente la vida útil de la máquina e incrementar su valor de reventa. Si vende su máquina, entregue el manual de instrucciones al nuevo propietario.

Más de 300 años de innovación

La fundación de la empresa sueca Husqvarna AB data del año 1689, cuando el Rey Karl XI encargó la construcción de una fábrica para la fabricación de mosquetes. En ese momento se establecieron los cimientos de la experiencia tecnológica en la que se basan muchos de los productos punteros en el mundo en el sector de las armas de caza, bicicletas, motocicletas, electrodomésticos, máquinas de coser y productos para exteriores.

Husqvarna es líder internacional en productos motorizados para exteriores destinados a la silvicultura, el mantenimiento de parques y el cuidado del césped y del jardín, así como equipos de corte y herramientas de diamante para el sector de la construcción y la piedra.

Responsabilidad del propietario

El propietario / empresario es el responsable de asegurarse de que el usuario tiene los conocimientos necesarios para utilizar la máquina con seguridad. Los supervisores y los usuarios deben haber leído y entendido el manual de instrucciones. Deben tener conocimiento de lo siguiente:

- Las instrucciones de seguridad de la máquina.
- Las aplicaciones y las limitaciones de la máquina.
- El modo de uso y de mantenimiento de la máquina.

La utilización de esta máquina podría estar regulada por la legislación nacional vigente. Infórmese sobre la legislación vigente en el lugar donde trabaja antes de empezar a utilizar la máquina.

Los derechos que se reserva el fabricante.

Tras la publicación de este manual, Husqvarna podría publicar información adicional para el funcionamiento seguro de este producto. Es responsabilidad del propietario mantenerse informado de los métodos de funcionamiento más seguros.

Husqvarna AB trabaja constantemente para perfeccionar sus productos y se reserva, por lo tanto, el derecho a introducir modificaciones en la construcción y el diseño sin previo aviso.

Para recibir información y atención como cliente, póngase en contacto con nosotros a través de nuestro sitio web: www.husqvarna.com

Diseño y funciones

El alto rendimiento, la fiabilidad, la tecnología innovadora, las soluciones técnicas avanzadas y el respeto medioambiental son los valores que caracterizan a los productos de Husqvarna. El usuario debe leer este manual detenidamente para garantizar un funcionamiento seguro del producto. Póngase en contacto con su concesionario o con Husqvarna si necesita más información.

A continuación se describen algunas de las características únicas de su producto.

Sierra de combinación

CS 10 es una sierra de combinación con una sierra de pared como fuente motriz. Puede utilizar otros aparatos para dirigir la sierra de cable.

Esta máquina está pensada para ser utilizada con Husqvarna WS 440 HF + PP 440 HF o WS 482 HF + PP 480 HF. Está prohibido utilizarla de cualquier otra forma.

Poleas giratorias

En la sierra, las poleas giratorias abiertas se utilizan como la polea entrante y la saliente. Pueden girar a lo largo de la línea de corte o fijarse en una posición.

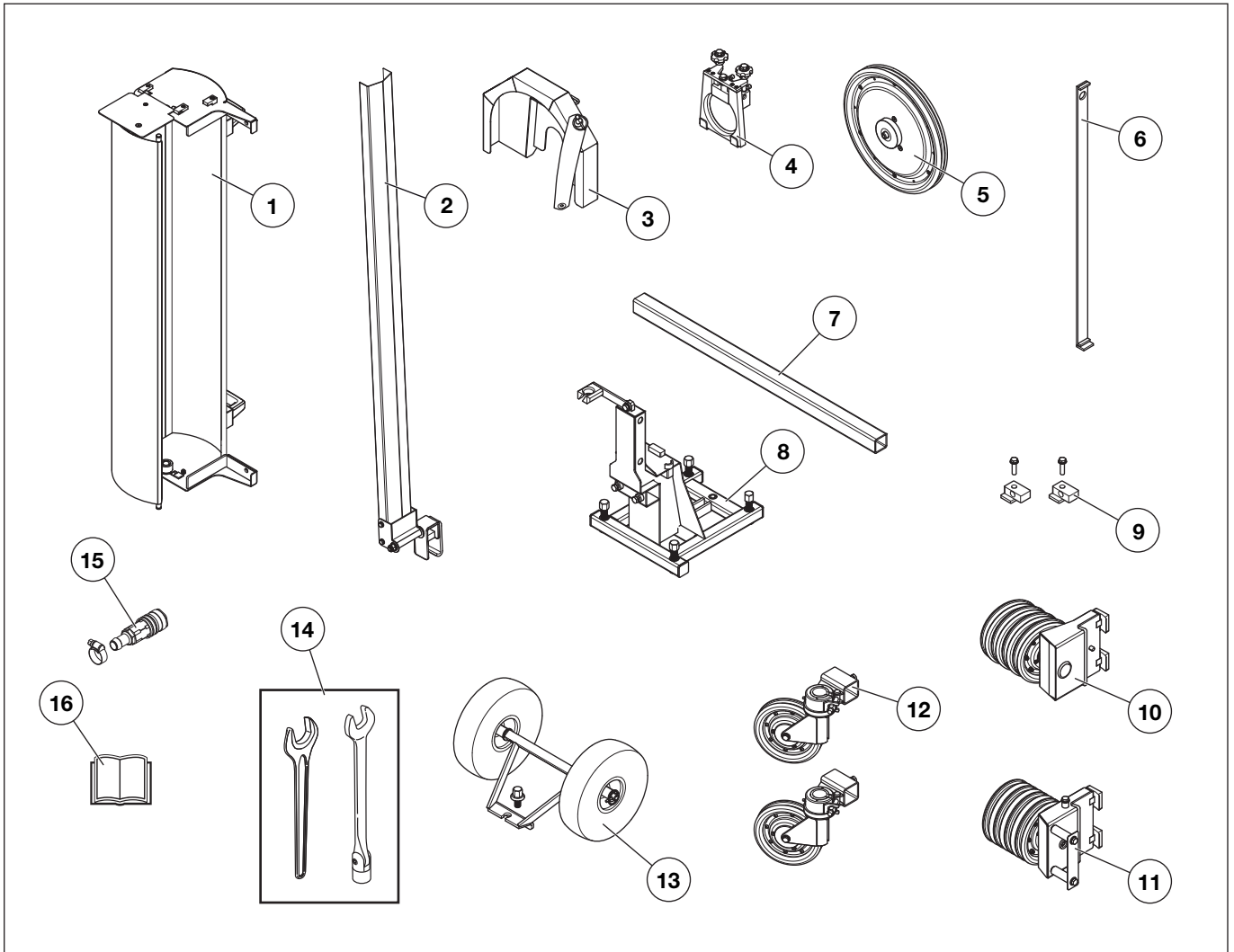
Gran capacidad del carro

El cable máx. a través de la sierra es de 11,7 m (38 ft). La capacidad del carro es de 10 m (33 ft).

Configuración para diestro o zurdo

La sierra se puede montar en posición derecha o izquierda. Es útil si tiene que realizar cortes cerca de esquinas.

PRESENTACIÓN



¿Qué es qué en la máquina?

- | | |
|---|-----------------------------|
| 1 Protección de la rueda | 9 Tapa de montaje del carro |
| 2 Protección del cable | 10 Carro superior |
| 3 Protección de la polea de transmisión | 11 Carro inferior |
| 4 Soporte de la protección | 12 Poleas giratorias |
| 5 Polea de transmisión | 13 Ruedas de transporte |
| 6 Dispositivo del taladro | 14 Juego de herramientas |
| 7 Viga | 15 Conexión de agua |
| 8 Placa base | 16 Manual de instrucciones |

EQUIPO DE SEGURIDAD DE LA MÁQUINA

Generalidades



¡ATENCIÓN! Nunca utilice una máquina con componentes de seguridad defectuosos. Si su máquina no pasa todos los controles, entréguela a un taller de servicio para su reparación.

En este capítulo se describen los componentes de seguridad de la máquina, su función y el modo de efectuar el control y el mantenimiento para garantizar un funcionamiento óptimo.

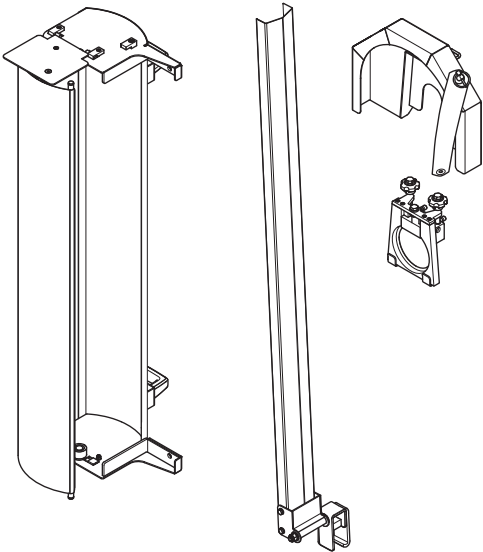
Esta máquina se utiliza en combinación con otros productos. Lea detenidamente el manual que se suministra con los productos y asegúrese de que entiende las instrucciones antes de utilizar la máquina.

Tapas protectoras



¡ATENCIÓN! Nunca utilice la máquina sin la protección o con una protección defectuosa. Antes de arrancar la máquina, controle siempre que las protecciones están correctamente montadas.

Las tapas protectoras están diseñadas para evitar el contacto accidental con el equipo de corte y reducir el riesgo de accidentes en caso de que el cable se rompa.



Inspección de las tapas protectoras



¡ATENCIÓN! Apague la máquina y desconecte el enchufe.

- Compruebe que no existan grietas ni daños en las tapas protectoras. Sustituya las tapas dañadas.

MONTAJE Y AJUSTES

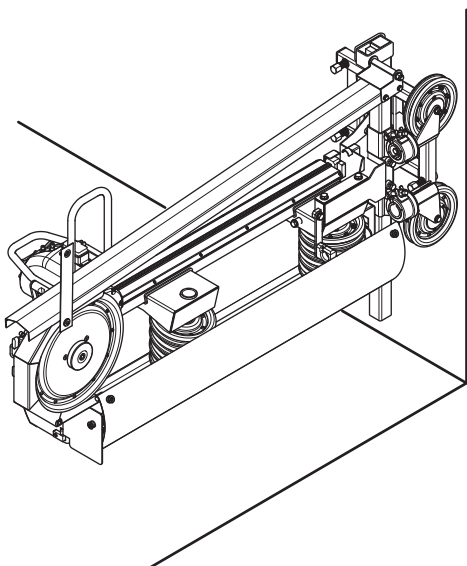
Generalidades



¡ATENCIÓN! Coloque siempre la sierra de forma que usted pueda situarse sin riesgo de que le toque un cable cortado. Asegúrese también de impedir la presencia en la zona de trabajo de personas ajenas al trabajo durante el corte. El impacto de un cable cortado comporta peligro de muerte o daños personales graves.

Antes de montar la sierra hay que planificar cuidadosamente el corte para poder realizarlo de la forma más sencilla posible.

- La sierra puede montarse en la pared o apoyarse sobre el suelo.
- La sierra se puede montar en posición derecha o izquierda. Es útil si tiene que realizar cortes cerca de esquinas.

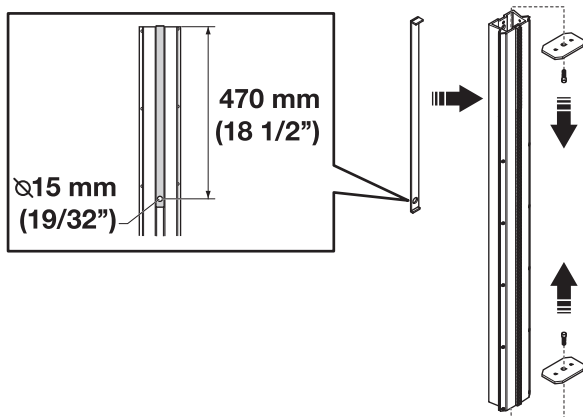


- En caso necesario, taladre agujeros para insertar el cable a través del material que se va a cortar.

Utilice el riel existente.

Debe realizar algunos ajustes para utilizarse con un riel existente.

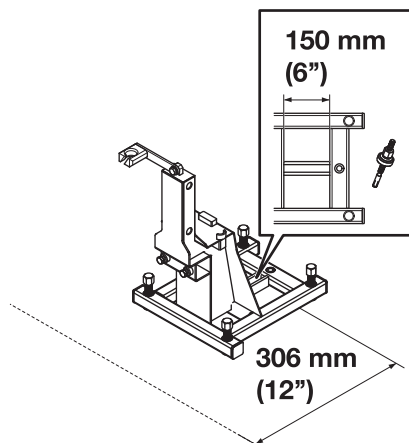
- Retire los topos.



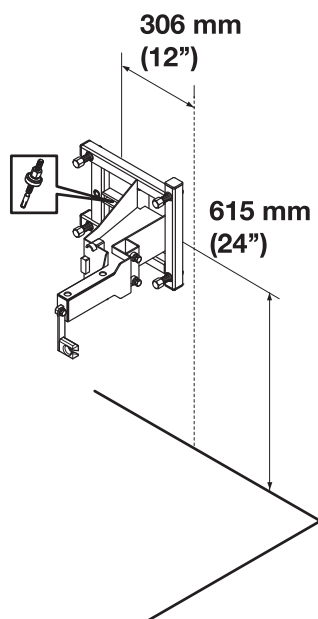
- Haga un agujero de 15 mm (19/32"), 470 mm (18 1/2 in) desde el extremo superior del riel. Utilice el dispositivo del taladro suministrado. El agujero es necesario para montar el carro superior.

Fije la placa base.

- Coloque la sierra de forma adecuada frente al corte planificado.
- Fije la sierra con un perno de anclaje.
- La distancia desde la línea de corte hasta el perno es de 306 mm (12 in).



- Si realiza cortes verticales con la sierra montada en la pared, la distancia mínima desde el suelo hasta el perno es de 615 mm (24 in).

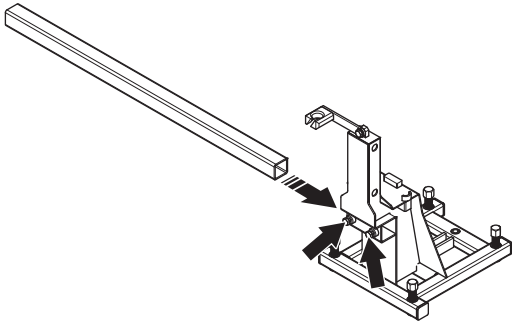


- Cuando la placa base esté anclada, atornille el pedal de ajuste para mantener fija la sierra.

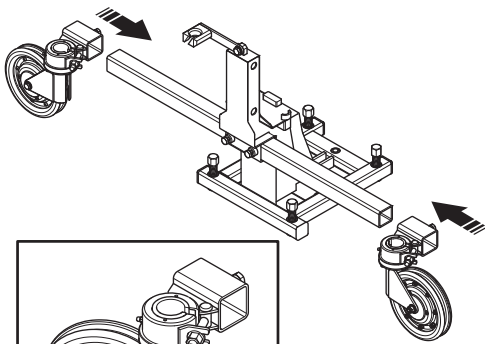
MONTAJE Y AJUSTES

Monte la sierra

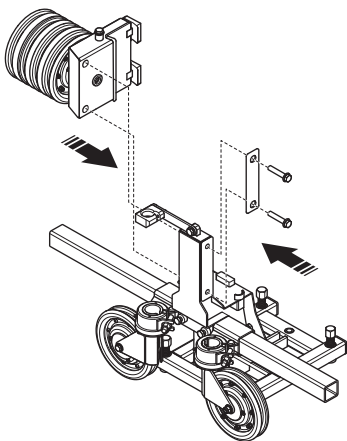
- Monte la viga en la placa base.



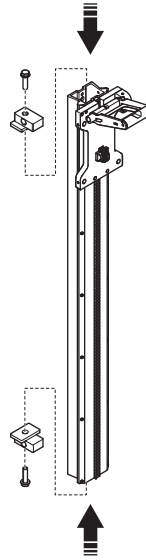
- Monte las poleas giratorias en la viga. Las poleas giratorias pueden fijarse en una posición apretando la tuerca.



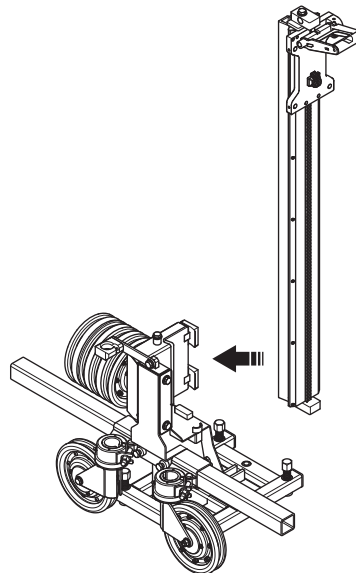
- Monte el carro inferior en la placa inferior. Puede montarlo tanto a la derecha como a la izquierda.



- Monte los soportes de la tapa del carro en el riel.

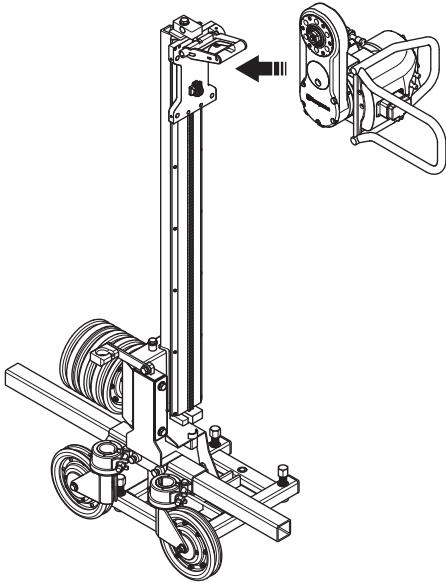


- Monte en riel en el montaje del carro inferior. El agujero realizado para montar el carro superior debe orientarse hacia arriba.



MONTAJE Y AJUSTES

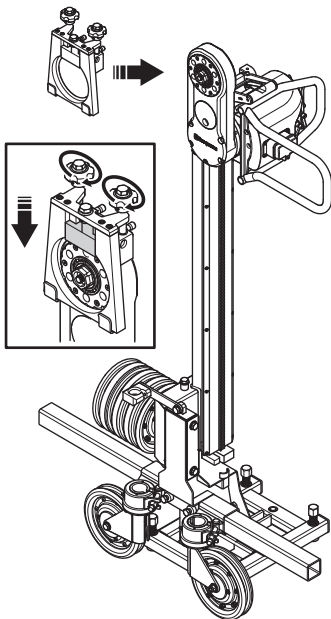
- Monte el motor de la sierra en el soporte de sierra.



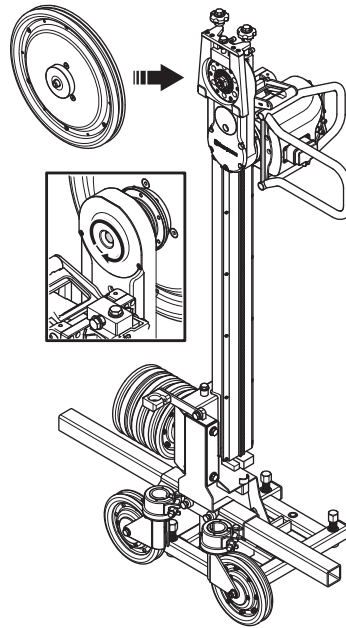
¡ATENCIÓN! El brazo de corte siempre debe apuntar en la misma dirección que el riel. La función de alimentación de profundidad no debe utilizarse durante el serrado con un cable. La utilización del equipo sin el debido cuidado puede causar lesiones graves e incluso la muerte.

AVISO Compruebe que la tapa de plástico de la sierra apunta hacia arriba cuando esta está montada en la pared, para evitar que el agua y la suciedad se acumulen dentro.

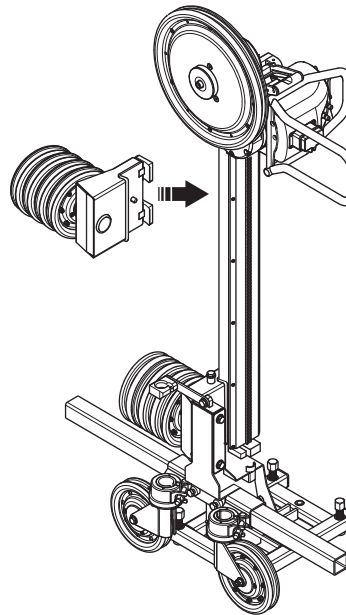
- Monte el soporte de la protección en el motor de la sierra. Atornille las manijas de sujeción para bloquear el soporte de la protección.



- Monte la rueda motriz en el motor de la sierra. Apriete el tornillo de bloqueo para bloquear la rueda motriz.



- Monte el carro superior en el riel. Alinee la clavija del montaje del carro con el orificio del riel.

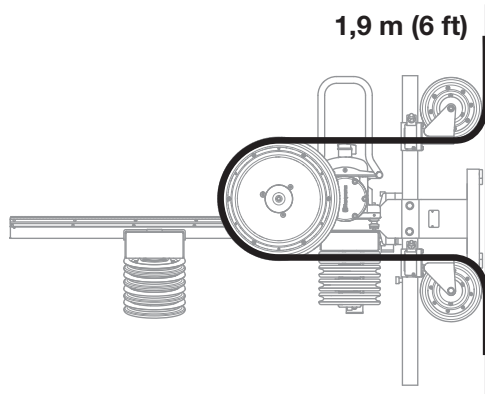


MONTAJE Y AJUSTES

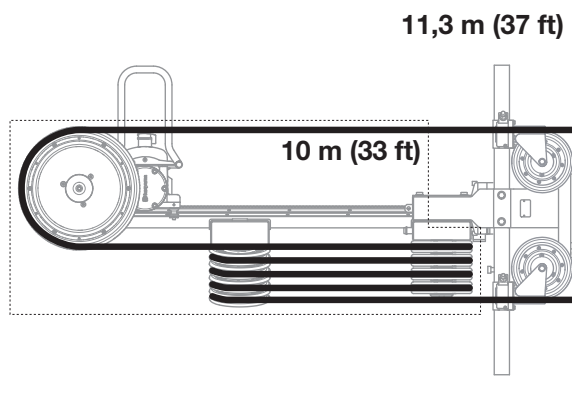
Introducción del cable

AVISO Para no crear desgaste innecesario, un cable usado debe accionarse siempre en la dirección en que ha sido utilizado anteriormente.

- Baje el soporte de sierra al máximo.
- Coloque el cable alrededor de la pieza de trabajo; en caso necesario a través de agujeros taladrados, y de vuelta a la sierra.
- Si introduce el cable mínimo a través de la sierra, 1,9 m (6 ft), coloque el cable solo sobre la rueda motriz.



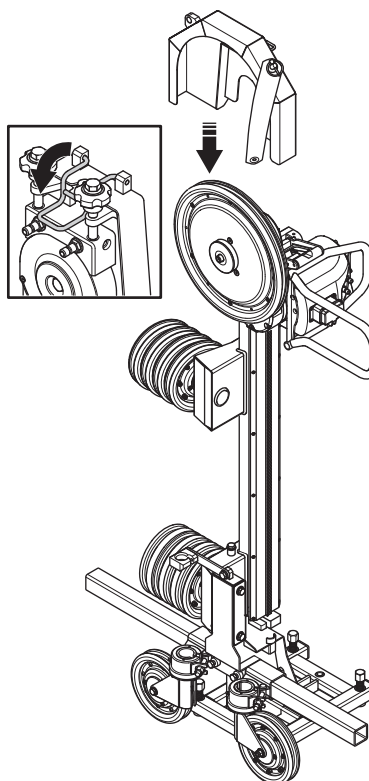
- Mientras realiza el corte, introduzca el cable por el número adecuado de pares de rueda del carro. El cable máx. a través de la sierra es de 11,3 m (37 ft). La capacidad del carro es de 10 m (33 ft).



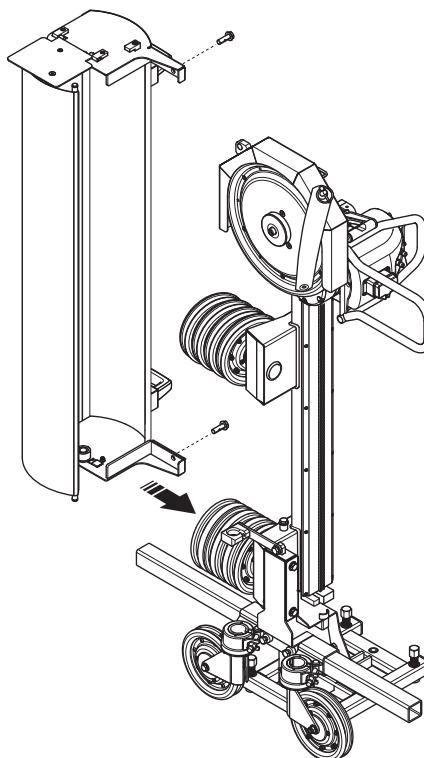
- Antes de unir los empalmes del cable, hay que retorcer el cable 1 ó 2 vueltas por metro de cable utilizado. Es importante retorcer el cable en el mismo sentido en que es torsionado. Esto se hace para que el desgaste en los segmentos de diamante del cable sea lo más regular posible. Un cable cerrado no debe dividirse antes de introducirlo en la máquina.

Montaje de las tapas protectoras

- Introduzca la protección de la rueda motriz por encima del soporte de la protección. Apriete la protección con el mango.

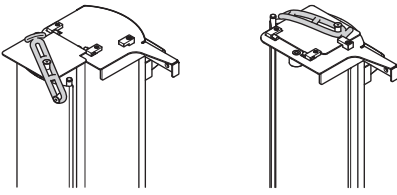


- Monte la tapa del carro en los montajes.

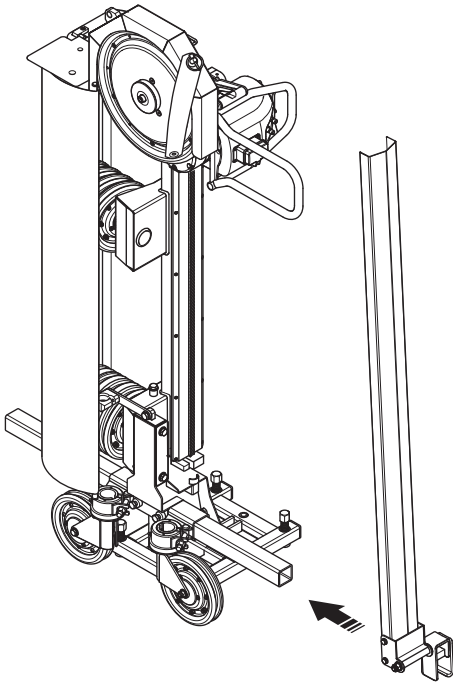


MONTAJE Y AJUSTES

- La tapa del carro puede bloquearse en posición cerrada y abierta con la correa de goma.

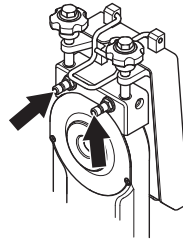


- Monte la protección del cable en la viga y a través del soporte sobre la protección de la rueda motriz.



Conexión de la refrigeración por agua

- Conecte la manguera de agua del motor de la sierra a uno de los conectores del soporte de protección.



- El agua enfría el brazo de corte.
- Desde el otro conector del soporte de la protección puede dirigir el agua a través de la manguera o una lanza de agua para enfriar el cable.
- Posteriormente la lanza de agua se coloca en la entrada del cable en el hormigón. De este modo el cable arrastra el agua al interior del corte, con lo que se liga el polvo de hormigón y el cable es enfriado eficazmente.

AVISO Para que el agua pueda refrigerar el cable como es debido durante las operaciones de corte, es esencial ajustar la posición del agua de refrigeración según se va cortando el material. Recuerde parar siempre la máquina cuando vaya a hacerlo.

Conecte la unidad eléctrica

- Consulte las instrucciones del manual de usuario del motor y la unidad de alimentación en cuestión.

FUNCIONAMIENTO

Equipo de protección

Generalidades

No use nunca una máquina si no tiene posibilidad de pedir auxilio si se produce un accidente.

Equipo de protección personal

Para trabajar con la máquina debe utilizarse un equipo de protección personal homologado. El equipo de protección personal no elimina el riesgo de lesiones, pero reduce su efecto en caso de accidente. Pida a su distribuidor que le asesore en la elección del equipo.



¡ATENCIÓN! El uso de productos que cortan, pulen, taladran, alisan o forman materiales puede generar polvo y vapores que pueden contener sustancias químicas dañinas. Averiguar la composición del material con que se trabaja y usar una máscara respiratoria adecuada.



¡ATENCIÓN! La exposición prolongada al ruido puede causar daños crónicos en el oído. Por consiguiente, use siempre protectores auriculares homologados. Cuando use protección auditiva preste siempre atención a las señales o llamados de advertencia. Sáquese siempre la protección auditiva inmediatamente después de parar el motor.



¡ATENCIÓN! Existe siempre riesgo de accidentes por apriete al trabajar con aparatos con piezas móviles. Usar guantes protectores para evitar lesiones.

Utilice siempre:

- Casco protector
- Protectores auriculares
- Gafas protectoras o visor
- Máscara respiratoria
- Guantes resistentes de agarre seguro.
- Prendas de vestir ceñidas, resistentes y cómodas que permitan una libertad de movimientos total.
- Botas con puntera de acero y suela antideslizante.

Tener en cuenta que las ropas, el pelo largo y las joyas pueden atascarse en piezas móviles.

Otros equipos de protección



¡ATENCIÓN! Mientras trabaja con la máquina, pueden producirse chispas que podrían ocasionar un incendio. Tenga siempre a mano herramientas para la extinción de incendios.

- Herramientas para la extinción de incendios
- Tenga siempre a mano el equipo de primeros auxilios.

Instrucciones generales de seguridad

Este apartado trata las normas de seguridad básicas para trabajar con el dispositivo. Esta información no sustituye en ningún caso los conocimientos y la experiencia de un profesional.

- Lea detenidamente el manual de instrucciones y asegúrese de entender su contenido antes de utilizar la máquina.
- Esta máquina se utiliza en combinación con otros productos. Lea detenidamente el manual que se suministra con los productos y asegúrese de que entienda las instrucciones antes de utilizar la máquina.
- Debe tenerse en cuenta que el operador es responsable de los accidentes o riesgos que ocurran a otras personas o a su propiedad.
- Todos los operadores deben ser formados en el empleo de la máquina. El propietario es responsable de la formación de los operadores.
- La máquina debe mantenerse limpia. Los letreros y las pegatinas deben ser legibles en su totalidad.



¡ATENCIÓN! La máquina, si se utiliza de forma errónea o descuidada, puede ser una herramienta peligrosa que puede causar daños graves e incluso la muerte al usuario y a otras personas.

No permita bajo ningún concepto el empleo o mantenimiento de la máquina por los niños u otras personas no instruidas en el manejo de la misma. Nunca deje que terceros utilicen la máquina sin asegurarse primero de que hayan entendido el contenido de este manual de instrucciones. Nunca utilice la máquina si está cansado, si ha ingerido alcohol o si toma medicamentos que puedan afectarle la vista, su capacidad de discernimiento o el control del cuerpo.

Existe siempre riesgo de sacudidas eléctricas al usar máquinas eléctricas. No usar la máquina en condiciones climáticas desfavorables y evitar el contacto del cuerpo con pararrayos y objetos metálicos. Seguir siempre las instrucciones del manual para evitar daños.



¡ATENCIÓN! Las modificaciones y/o el uso de accesorios no autorizados comportan riesgo de daños personales graves y peligro de muerte para el usuario y otras personas.

No modifique nunca esta máquina de forma que se desvíe de la versión original, y no la utilice si parece haber sido modificada por otras personas.

No utilice nunca una máquina defectuosa. Lleve a cabo las comprobaciones de seguridad y siga las instrucciones de mantenimiento y servicio de este manual. Algunas medidas de mantenimiento y servicio deben ser efectuadas por especialistas formados y cualificados. Consulte las instrucciones del apartado Mantenimiento.

Utilizar siempre recambios originales.

Emplee siempre el sentido común

Es imposible abarcar todas las situaciones en las que puede encontrarse. Utilice siempre el equipo con cuidado y sentido común. Si se encuentra en alguna situación que le haga sentirse inseguro, deténgase y consulte con un experto. Consulte a su distribuidor, al taller de servicio técnico o a un usuario experimentado. No emplee la máquina en aplicaciones para las que no se considere plenamente cualificado.

Seguridad en el área de trabajo



¡ATENCIÓN! La distancia de seguridad con respecto a todas las piezas móviles es de un mínimo de 1,5 m. Usted es el responsable de que no haya personas y animales dentro de la zona de trabajo.

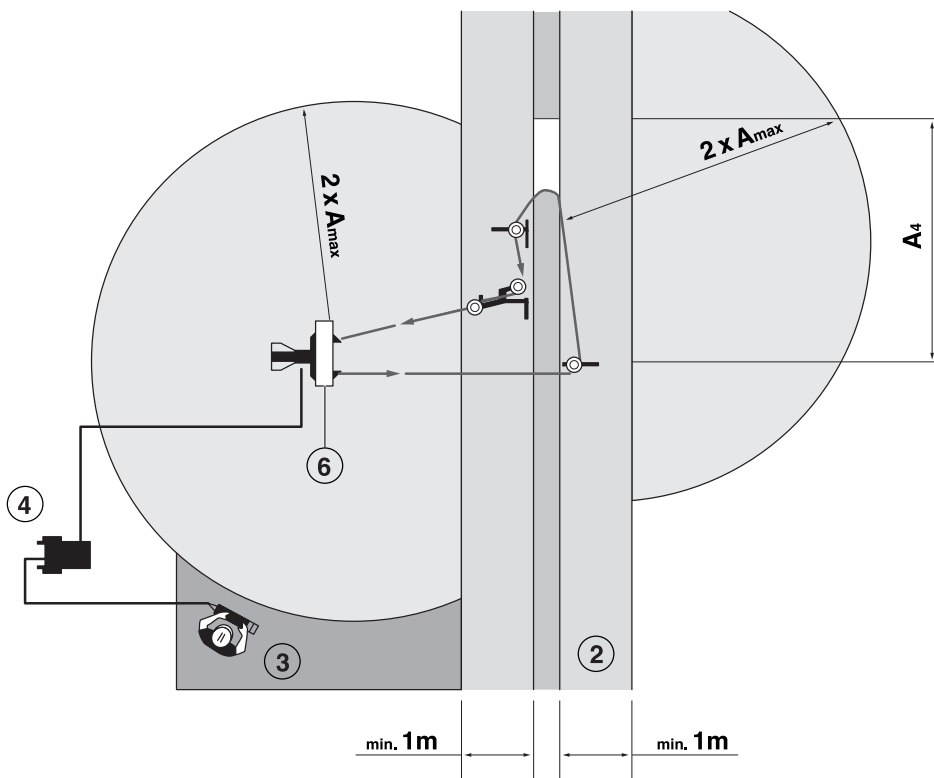
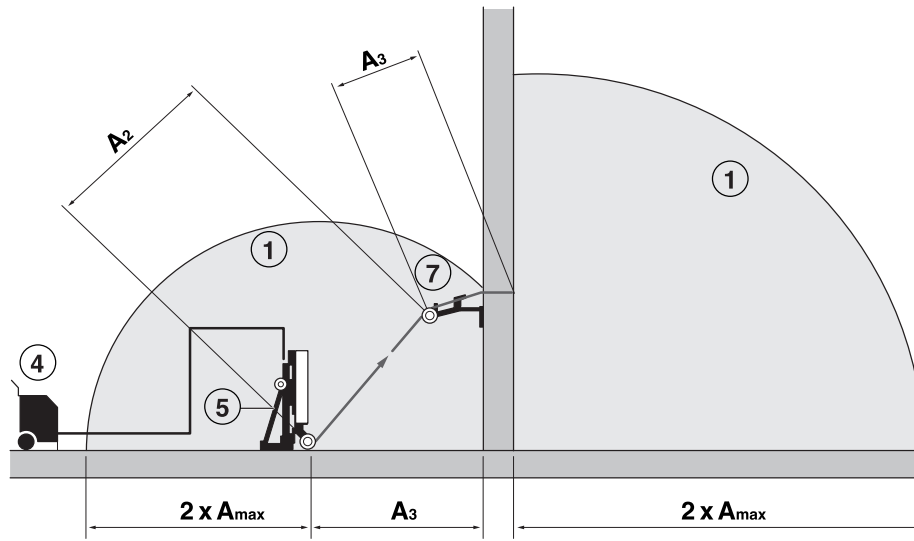
- Compruebe el entorno para asegurarse de que nada pueda influir en su control de la máquina. No abandonar nunca la máquina sin vigilar, con el motor en marcha.
- No trabaje en condiciones atmosféricas desfavorables como niebla, lluvia intensa, tempestad, frío intenso, etc. El trabajo con mal tiempo es fatigoso y puede crear circunstancias peligrosas, como terreno resbaladizo.
- Controle que la zona de trabajo esté bien iluminada para lograr un entorno seguro.
- Antes de comenzar a trabajar con la máquina, controle siempre que el lugar esté libre y que los pies estén bien afirmados al terreno.
- Asegúrese de que no haya tuberías o cables eléctricos en la zona de trabajo o en la pieza en la que vaya a trabajar.
- Compruebe que los cables eléctricos que haya en el área de trabajo no tengan tensión.

FUNCIONAMIENTO

Zona de riesgo de la máquina

Cuando se realizan los trabajos, no se permite que ninguna persona permanezca en la zona de riesgo de la máquina. Esto también se aplica al operario.

Corte de paredes

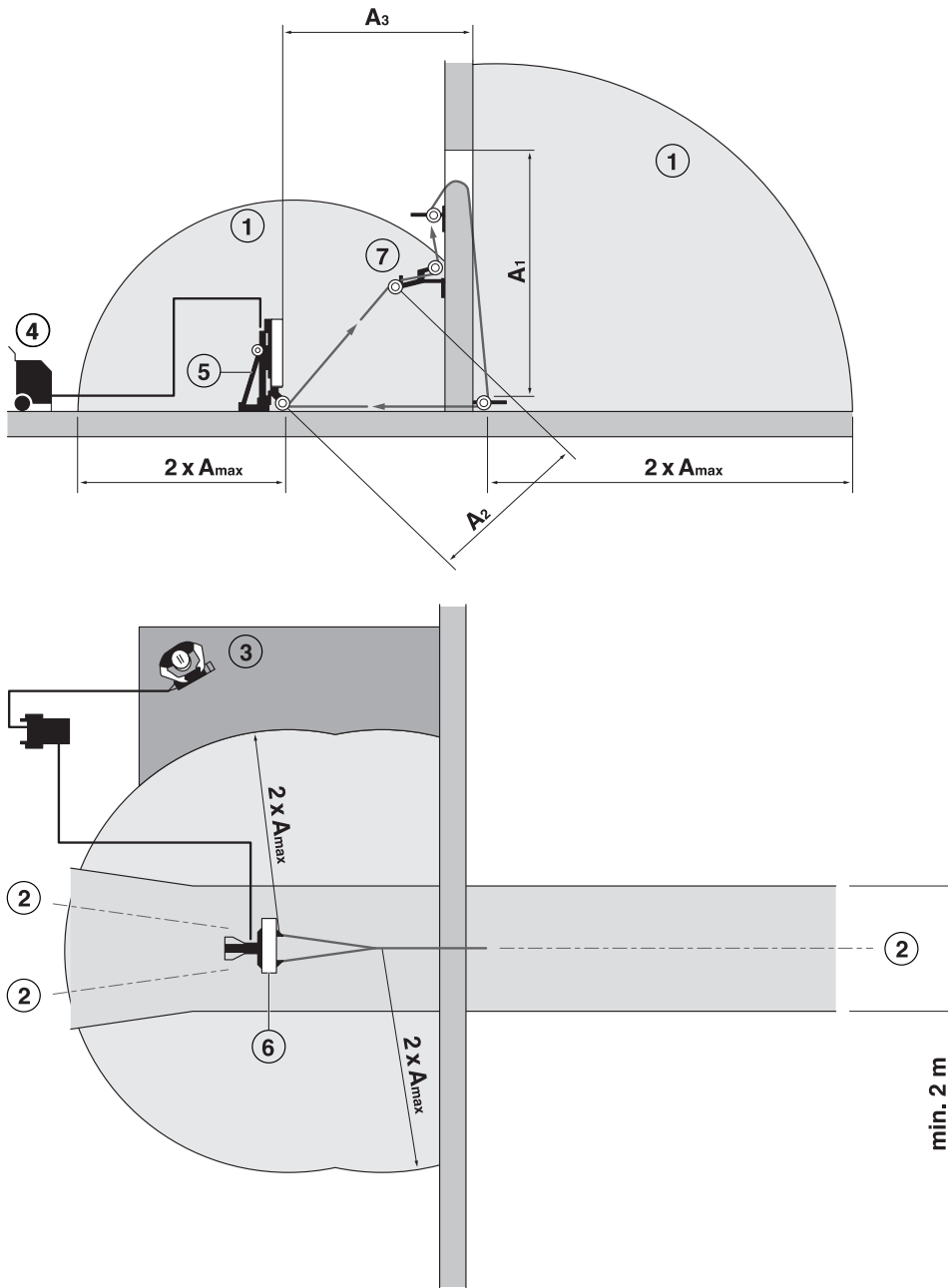


(A_{\max}) Sección de cable libre más larga (A_1 - A_4)

- 1 Zona de riesgo
- 2 Área de riesgo de la proyección horizontal del cable para el usuario
- 3 Posición recomendada del usuario
- 4 Unidad de alimentación
- 5 Unidad de accionamiento del cable
- 6 Protección del cable
- 7 Ruedas de retorno

FUNCIONAMIENTO

Corte con ruedas de polea adicionales

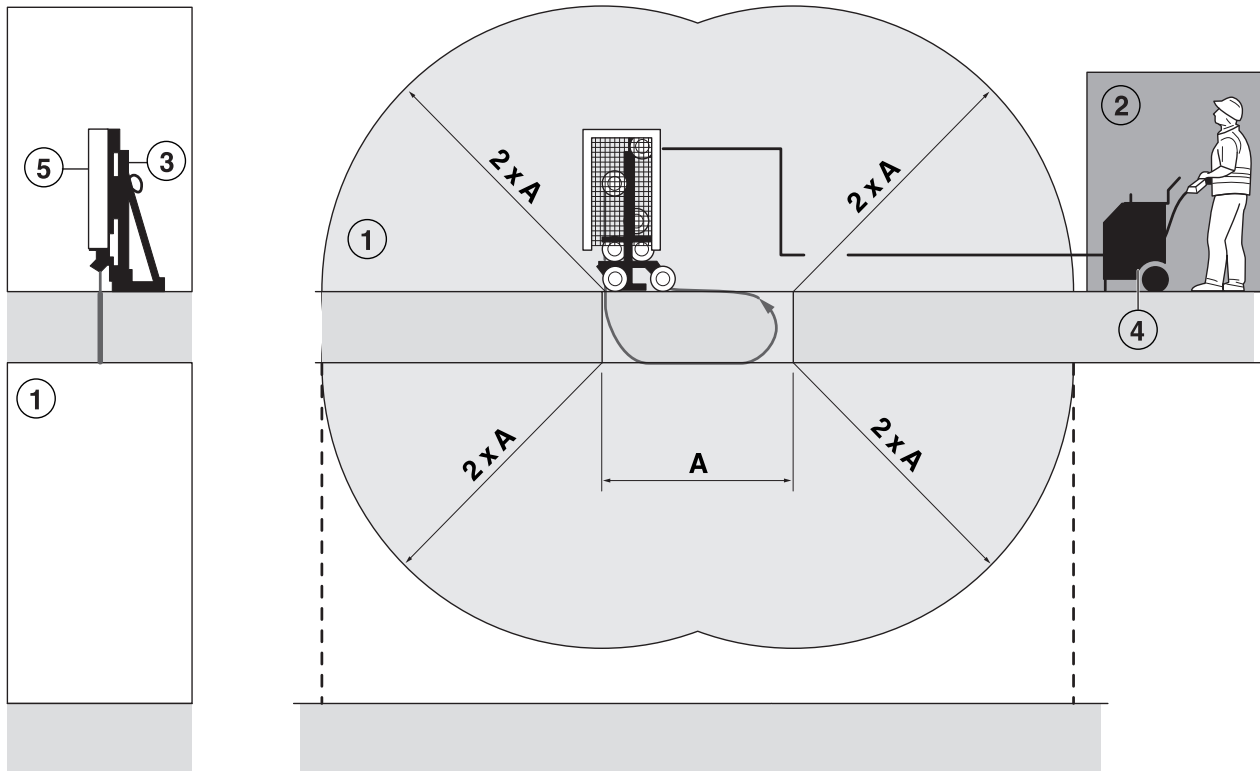


(A_{\max}) Sección de cable libre más larga (A_1 - A_3)

- 1 Zona de riesgo
- 2 Área de riesgo de la proyección horizontal del cable para el usuario
- 3 Posición recomendada del usuario
- 4 Unidad de alimentación
- 5 Unidad de accionamiento del cable
- 6 Protección del cable
- 7 Ruedas de retorno

FUNCIONAMIENTO

Corte de pavimentos



(A) Sección de cable libre más larga

- 1 Zona de riesgo
- 2 Posición recomendada del usuario
- 3 Unidad de accionamiento del cable
- 4 Unidad de alimentación
- 5 Protección del cable

Técnica básica de trabajo

- Esta máquina está pensada para ser utilizada con Husqvarna WS 440 HF + PP 440 HF o WS 482 HF + PP 480 HF. Está prohibido utilizarla de cualquier otra forma.
- Esta máquina está diseñada y prevista para serrar hormigón, ladrillos y distintos tipos de piedra. Cualquier otro uso se considerará inadecuado.
- La máquina está destinada al uso por operadores experimentados, en aplicaciones industriales.
- Nunca utilice la máquina si está cansado, si ha ingerido alcohol o si toma medicamentos que puedan afectarle la vista, su capacidad de discernimiento o el control del cuerpo.
- Mantener todas las piezas en perfecto estado y comprobar que todos los elementos de fijación estén bien apretados.
- Compruebe que las protecciones están montadas correctamente y no están dañadas. No corte nunca sin utilizar la protección.
- Utilice únicamente el cable recomendado por el fabricante. Pida consejo a su distribuidor a la hora de elegir el producto adecuado.
- No utilice nunca un cable dañado o desgastado.
- Para no crear desgaste innecesario, un cable usado debe accionarse siempre en la dirección en que ha sido utilizado anteriormente.
- No corte nunca sin utilizar la refrigeración hidráulica. Si el cable no está bien refrigerado, los segmentos podrían sobrecalentarse, lo que produce un mayor desgaste. En el peor de los casos, los segmentos podrían soltarse del cable y lesionar a las personas que se encuentren cerca de la sierra.
- Antes de empezar a cortar, todos los cortes que se van a hacer deben marcarse con claridad y planificarse para que se puedan hacer sin riesgo de dañar a personas o la máquina.
- Sujete o ancle con firmeza los bloques de hormigón antes de cortarlos. El elevado peso del material cortado puede causar daños materiales y lesiones personales graves si no se puede mover en condiciones controladas.
- Mantenga bajo vigilancia la máquina siempre que el motor esté en marcha.
- Nunca utilice la sierra sin tener al alcance el botón de parada de emergencia del control remoto o de la unidad eléctrica. Consulte el manual de la unidad eléctrica.
- Proceda con cuidado en las elevaciones. Las piezas son pesadas, por lo que hay riesgo de daños por apriete y daños personales de otro tipo.

Transporte y almacenamiento

- Desconecte siempre la unidad eléctrica y el cable eléctrico antes de mover el equipo.
- Sujete bien el equipo durante el transporte para evitar daños y accidentes.
- Guarde el equipo en un lugar seguro fuera del alcance de los niños y las personas no autorizadas.

ARRANQUE Y PARADA

Antes del arranque



¡ATENCIÓN! La máquina requiere la instalación de un software para el corte con cable en el control remoto y en la unidad de alimentación. Las máquinas que no dispongan de este software deben enviarse a un taller de servicio autorizado para su actualización. La máquina no debe utilizarse hasta que se haya instalado el nuevo software.

Lea detenidamente el manual de instrucciones y asegúrese de entender su contenido antes de utilizar la máquina.

Esta máquina se utiliza en combinación con otros productos. Lea detenidamente el manual que se suministra con los productos y asegúrese de que entiende las instrucciones antes de utilizar la máquina.

Utilice el equipo de protección personal. Vea las instrucciones bajo el título "Equipo de protección personal".

Asegúrese de que no haya personas desautorizadas en la zona de trabajo, de lo contrario se corre el riesgo de ocasionar graves daños personales.

- Controle que la máquina esté correctamente montada y que no esté dañada. Consulte las instrucciones bajo el título «Montaje y ajustes».
- Realice el mantenimiento diario. Consulte las instrucciones bajo el título «Mantenimiento».

Arranque

- Siga las instrucciones de arranque proporcionadas en el manual que acompaña la unidad eléctrica.

Más instrucciones sobre el corte con cable

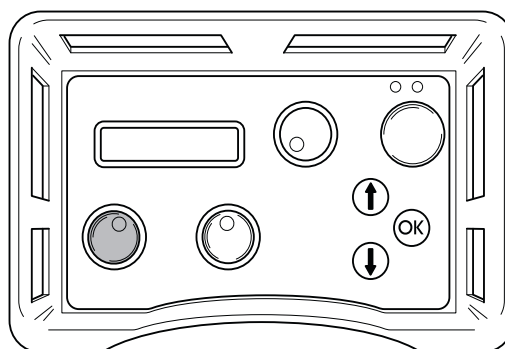
- **WS 482 HF:** En el control remoto aparecerá el mensaje «SELECCIONE ENGRANAJE». Seleccione «Gear 2» (engranaje 2). Confirmar con "OK".
- En el menú de funcionamiento, seleccione con las teclas de flecha la opción "MODO CONDUCCIÓN".
- Seleccione «Wire» (cable). Confirmar con "OK".

Alineación del brazo de corte



¡ATENCIÓN! Cuando el brazo de corte está alineado con el riel, debe dejar de utilizar el control de alimentación de profundidad. La utilización del equipo sin el debido cuidado puede causar lesiones graves e incluso la muerte.

- Antes de empezar a cortar, debe colocar el brazo de corte alineado con el riel. Para ello, utilice el control de alimentación de profundidad. Cuando el brazo de corte está alineado con el riel, debe dejar de utilizar el control de alimentación de profundidad.



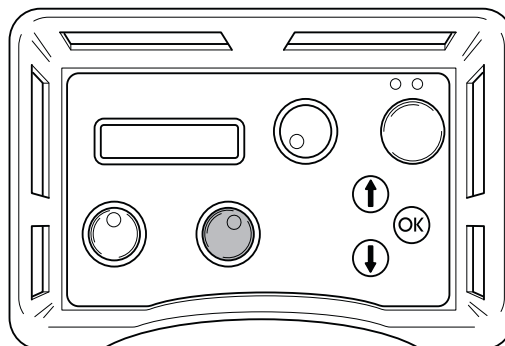
En funcionamiento se desactiva el control de alimentación de profundidad.

Tensado del cable



¡ATENCIÓN! No tense excesivamente el cable. Un cable excesivamente tensado frenaría la rotación y provocaría su rotura. La utilización del equipo sin el debido cuidado puede causar lesiones graves e incluso la muerte.

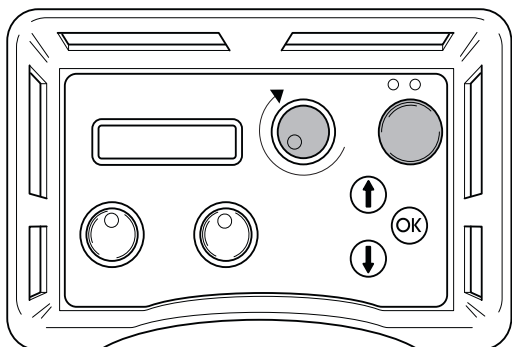
- Compruebe que el cable está bien colocado en todas las ruedas.
- Tense el cable en la línea de corte girando el control de alimentación de avance. El cable debe tocar todas las ruedas y la pieza en la que se está trabajando.



ARRANQUE Y PARADA

Inicio de la rotación

- Mantenga pulsado el botón de arranque verde mientras gira el control de rotación en el sentido de las agujas del reloj para iniciar la rotación. Gire el control con suavidad. Empiece con una velocidad de rotación baja.
- Compruebe que la rotación se dirige en la dirección deseada. En el apartado BLADE ROTATION (ROTACIÓN DE LA PALA) del menú de funcionamiento puede establecer la dirección deseada.



Si la rueda motriz no puede iniciar la rotación del cable, puede deberse a una de las siguientes causas:

- El cable está demasiado tenso. Aflójelo.
- Las ruedas guía no están bien ajustadas. Ajustelas.
- La superficie de contacto con la pieza en la que se está trabajando es demasiado grande. Añada una rueda de polea.

Procedimiento de trabajo



¡ATENCIÓN! No corte de forma continua con la potencia máxima (100 %). Podría causar un exceso de tensión del cable y romperlo. La utilización del equipo sin el debido cuidado puede causar lesiones graves e incluso la muerte.

- Cuando el cable ha empezado a cortar, puede aumentar lentamente la velocidad hasta el nivel deseado. Consulte la tabla «Velocidad y velocidad del cable» en el apartado «Datos técnicos».
- En la pantalla comprobará la potencia en porcentaje. Durante el corte, el valor suele estar entre 50 % y 100 %.

La potencia utilizada para cortar depende de diversos factores, como la sierra utilizada, el tamaño de la superficie de contacto del cable con la pieza en la que se está trabajando, el modo de salida elegido, etc.

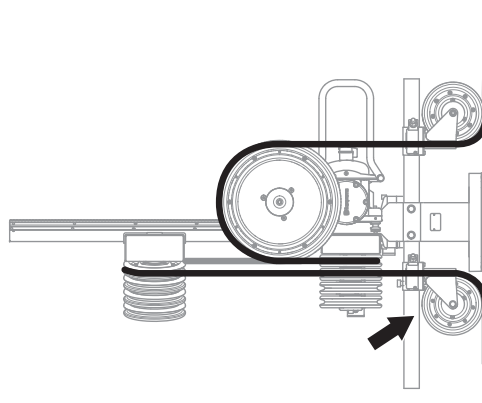
Atención: utilice una potencia inferior para reducir el riesgo de rotura del cable.

- Mantenga el cable tensado mientras corta el material.

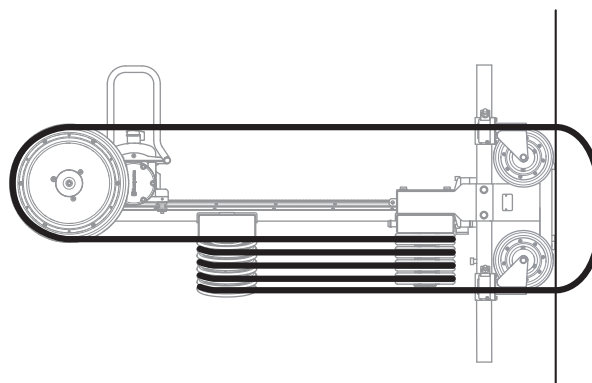
Almacenamiento del cable

Cuando la sierra haya alcanzado el tope del riel, debe guardar el cable.

- Detenga la rotación.
- Mueva la sierra a la posición de inicio, en el extremo de la placa inferior.
- Coloque el cable alrededor de las ruedas de carro y ajuste la rueda guía lo más cerca posible de la rueda del carro de salida.



- Cuando se ha finalizado el corte, las ruedas guía deberían ajustarse para poder coger el cable cuando atraviese la pieza en la que se está trabajando.



Parada

- Gire los controles de rotación y alimentación de avance a la posición cero.
- Siga las instrucciones del manual adjunto a la unidad de alimentación.

Generalidades



¡ATENCIÓN! El usuario sólo puede efectuar los trabajos de mantenimiento y servicio descritos en este manual. Los trabajos de mayor envergadura debe efectuarlos un taller de servicio oficial.

Apague la máquina y desconecte el enchufe.

Utilice el equipo de protección personal. Vea las instrucciones bajo el título "Equipo de protección personal".

La vida útil de la máquina puede acortarse y el riesgo de accidentes puede aumentar si el mantenimiento de la máquina no se hace de forma adecuada y si los trabajos de servicio y/o reparación no se efectúan de forma profesional. Para más información, consulte con el taller de servicio oficial más cercano.

Mantenimiento diario

- Compruebe que el equipo de seguridad de la máquina está intacto. Consulte las instrucciones del apartado «Equipo de seguridad de la máquina».
- Limpie la parte exterior de la máquina. No utilice un equipo de limpieza a alta presión para limpiar la sierra.
- Compruebe que la goma de las ruedas guía está en su lugar y no está gastada.
- Compruebe los cojinetes. Haga girar las ruedas a mano y compruebe que pueden girar libremente.

Servicio

Además de las medidas de mantenimiento diario como la limpieza y lubricación, hay que hacer el servicio de la máquina. Después de 50 horas de corte hay que llevar la máquina a un taller autorizado de Husqvarna para hacer el servicio. Posteriormente, el servicio se hace cada 100 horas de funcionamiento. El servicio es importante para el usuario disponga de una máquina que funcione con la mayor eficacia posible durante largo tiempo.

DATOS TECNICOS

Datos técnicos

Potencia - máx., kW/hp

WS 440 HF	13/17.5
WS 482 HF	19/25.6

Velocidad, r/min 0-1200

Par de arranque, Nm

WS 440 HF	100
WS 482 HF (engranaje 2)	160

Capacidad del carro, m/ft 10/33

Capacidad de cable, m/ft 1,9-11,3 / 6-37

Peso, kg/lb

WS 440 HF	135/298
WS 482 HF	138 / 304

Dirección de giro Ambas direcciones

Grado de protección IP 65

Velocidad del cable (a 1200 r. p. m.), m/s / ft/s 24/79

Emisiones de ruido (vea la nota 1)

Nivel de potencia acústica medido dB(A)	99
Nivel de potencia acústica garantizado L_{WA} dB(A)	100

Niveles acústicos (vea la nota 2)

Nivel de presión acústica en el oído del usuario, dB(A) 86

Nota 1: Emisiones sonoras en el entorno medidas como potencia sonora (L_{WA}) según la norma EN 15027/A1.

Nota 2: Nivel de presión sonora conforme a EN 15027/A1. Los datos referidos del nivel de presión sonora tienen una dispersión estadística habitual (desviación estándar) de 1,0 dB(A).

Velocidad y velocidad del cable

Velocidad del eje, r.p.m.	Velocidad del cable, m/s	Velocidad del cable, ft/s
1000	20	66
1100	22	72
1200	24	79

Cable de diamante recomendado

Modelo	Materiales abrasivos	Hormigón de cal	Grado de refuerzo		
			Bajo	Medio	Alto
C 710	-	-	Bueno	Óptimo	Bueno
C 760	Aceptable	Bueno	Óptimo	Bueno	Aceptable
C 1000	Bueno	Bueno	Bueno	Óptimo	Bueno
C 1200	Bueno	Aceptable	Aceptable	Bueno	Óptimo

DECLARACIÓN CE DE CONFORMIDAD

Declaración CE de conformidad

Husqvarna AB, SE-561 82 Huskvarna, Suecia, tel. +46-36-146500, garantiza por la presente que la sierra de cable **Husqvarna CS 10** a partir del número de serie de 2010 (el año se indica con texto en la placa de características seguido de un número de serie) cumple las disposiciones de la DIRECTIVA DEL CONSEJO:

- **2006/42/CE** «relativa a máquinas» del 17 de mayo de 2006.
- **2004/108/CEE**, "referente a compatibilidad electromagnética", del 15 de diciembre de 2004.
- **2006/95/CE** del 12 de diciembre de 2006 relativa a equipos eléctricos.
- del 8 de junio de 2011 «sobre restricciones a la utilización de determinadas sustancias peligrosas» **(2011/65/UE)**

Se han aplicado las siguientes normas: EN ISO 12100:2010, EN 55014-1:2006, EN 55014-2/A1:2001, EN 61000-3-11:2000, EN 15027/A1:2009.

Göteborg, 12 de abril de 2015



Helena Grubb

Vicepresidente, maquinaria para la construcción

(Presentante autorizado de Husqvarna AB y responsable de la documentación técnica.)

EXPLICAÇÃO DOS SÍMBOLOS

Símbolos na máquina

ATENÇÃO! A máquina, se for usada de forma indevida ou incorrecta, pode ser perigosa, causando sérios ferimentos ou mesmo a morte do utente ou outras pessoas.

Leia as instruções para o uso com toda a atenção e compreenda o seu conteúdo antes de fazer uso da máquina.

Use equipamento de protecção pessoal. Ver as instruções na secção "Equipamento de protecção pessoal".

Este produto está conforme as directivas em validade da CE.

Marca ambiental. O símbolo no produto ou respectiva embalagem indica que este produto não pode ser processado como detritos domésticos. O produto deve então ser entregue a uma estação de reciclagem adequada para reciclagem de equipamento eléctrico e electrónico.

Providenciando para que este produto seja processado de forma correcta, você pode contribuir para contrariar potenciais consequências negativas para o meio ambiente e pessoas, que caso contrário, podem ser provocadas pela gestão inadequada dos resíduos deste produto.

Para mais informação sobre a reciclagem deste produto, contacte os serviços competentes da sua autarquia, o serviço de recolha de resíduos domésticos ou o estabelecimento onde adquiriu o produto.

Os restantes símbolos e autocolantes existentes na máquina dizem respeito a exigências específicas para homologação em alguns países.



Explicação dos níveis de advertência

As advertências são classificadas em três níveis.

ATENÇÃO!



ATENÇÃO! Utilizado no caso de existir risco de ferimento grave ou morte para o operador ou de danos nas zonas envolventes, se não forem seguidas as instruções do manual.

CUIDADO!



CUIDADO! Utilizado no caso de existir risco de ferimento para o operador ou de danos nas proximidades, se não forem seguidas as instruções do manual.

ATENÇÃO!

ATENÇÃO! Utilizado se existir risco de danos para os materiais ou para a máquina, se não forem seguidas as instruções do manual.

Índice

EXPLICAÇÃO DOS SÍMBOLOS	
Símbolos na máquina	45
Explicação dos níveis de advertência	45
ÍNDICE	
Índice	46
APRESENTAÇÃO	
Prezado cliente!	47
Design e características	47
Como se chama na máquina?	48
EQUIPAMENTO DE SEGURANÇA DA MÁQUINA	
Noções gerais	49
MONTAGEM E AJUSTAMENTOS	
Noções gerais	50
Utilização com o carril existente	50
Fixar a placa de base	50
Montar a serra	51
Colocar o fio	53
Montar as coberturas de protecção	53
Ligar a água de arrefecimento	54
Ligue a unidade de alimentação	54
OPERAÇÃO	
Equipamento de protecção	55
Instruções gerais de segurança	55
Técnicas básicas de trabalho	60
Transporte e armazenagem	60
ARRANQUE E PARAGEM	
Antes de ligar	61
Arranque	61
Procedimento de trabalho	62
Paragem	62
MANUTENÇÃO	
Noções gerais	63
Controle diário	63
Assistência	63
ESPECIFICAÇÕES TÉCNICAS	
Especificações técnicas	64
Velocidade e velocidade do fio	64
Fio diamantado recomendado	64
CERTIFICADO CE DE CONFORMIDADE	
Certificado CE de conformidade	65

APRESENTAÇÃO

Prezado cliente!

Muito obrigado por escolher um produto Husqvarna!

Esperamos que ficará satisfeito com a sua nova máquina e que ela o acompanhará durante muito tempo. A compra de qualquer dos nossos produtos dá-lhe acesso a ajuda profissional, incluindo reparações e assistência técnica. Se não tiver adquirido a sua máquina num dos nossos revendedores autorizados, pergunte onde fica a oficina especializada mais próxima.

Este manual tem um grande valor. Certifique-se de que este manual se encontra sempre à mão no local de trabalho. Seguindo o seu conteúdo (utilização, assistência técnica, manutenção, etc) aumentará consideravelmente a vida útil da máquina bem como o preço de venda em segunda mão da mesma. Se vender a sua máquina, entregue as instruções de utilização ao novo proprietário.

Mais de 300 anos de inovação

A Husqvarna, empresa baseada na Suécia, tem como base uma tradição que remonta a 1689, quando o rei sueco Karl XI mandou construir uma fábrica para fabricar mosquetes. Na época, estabeleceram-se as fundações para o desenvolvimento de capacidades relacionadas com a engenharia que se encontra por detrás de alguns dos produtos mais conhecidos do mundo, tais como armas de caça, bicicletas, motociclos, aparelhos domésticos, máquinas de costura e ferramentas para uso em exteriores.

A Husqvarna é a líder global em ferramentas motorizadas para uso em exteriores, tais como em silvicultura, manutenção de jardins e parques, cuidados da relva, bem como na área do equipamento de corte e ferramentas de diamante para a construção e a indústria de extracção e transformação de pedra.

Responsabilidade do proprietário

É da responsabilidade do proprietário/entidade empregadora que o operador tenha conhecimento suficiente sobre como utilizar a máquina em segurança. Os supervisores e os operadores devem ter lido e compreendido o Manual do Operador. Devem conhecer:

- As instruções de segurança da máquina.
- As diversas aplicações da máquina e as suas limitações.
- O modo como a máquina deve ser utilizada e mantida.

A legislação nacional poderá regular a utilização desta máquina. Informe-se da legislação aplicável no seu local de trabalho antes de utilizar esta máquina.

Ressalvas do fabricante

No seguimento da publicação deste manual, a Husqvarna poderá emitir informações adicionais para garantir uma operação segura deste produto. O proprietário tem o dever de se manter actualizado quanto aos métodos de operação mais seguros.

Husqvarna AB efectua o desenvolvimento contínuo dos seus produtos, reservando-se o direito de introduzir modificações referentes, entre outros, ao aspecto e forma dos mesmos sem aviso prévio.

Para obter informação e assistência, contacte-nos através do

Design e características

Os nossos valores, tais como a elevada performance, fiabilidade, tecnologia inovadora, soluções técnicas avançadas e o cuidado do ambiente, distinguem os produtos Husqvarna. Para garantir uma operação segura deste produto, o operador deverá ler atentamente este manual. Consulte o seu concessionário ou contacte a Husqvarna, caso necessite de informações adicionais.

Algumas das características únicas dos nossos produtos encontram-se descritas em baixo.

Serra combinada

A CS 10 é uma serra combinada com uma serra de parede como força motriz. O equipamento existente pode ser usado para operar a serra de fio diamantado.

Esta máquina destina-se a ser utilizada apenas em conjunto com os equipamentos Husqvarna WS 440 HF + PP 440 HF ou WS 482 HF + PP 480 HF. Todos os outros usos são interditos.

Carretéis móveis

Os carretéis móveis são utilizados como carretel de entrada e de saída na serra. Podem oscilar ao longo da linha de corte ou podem ser configurados para assumirem uma posição fixa.

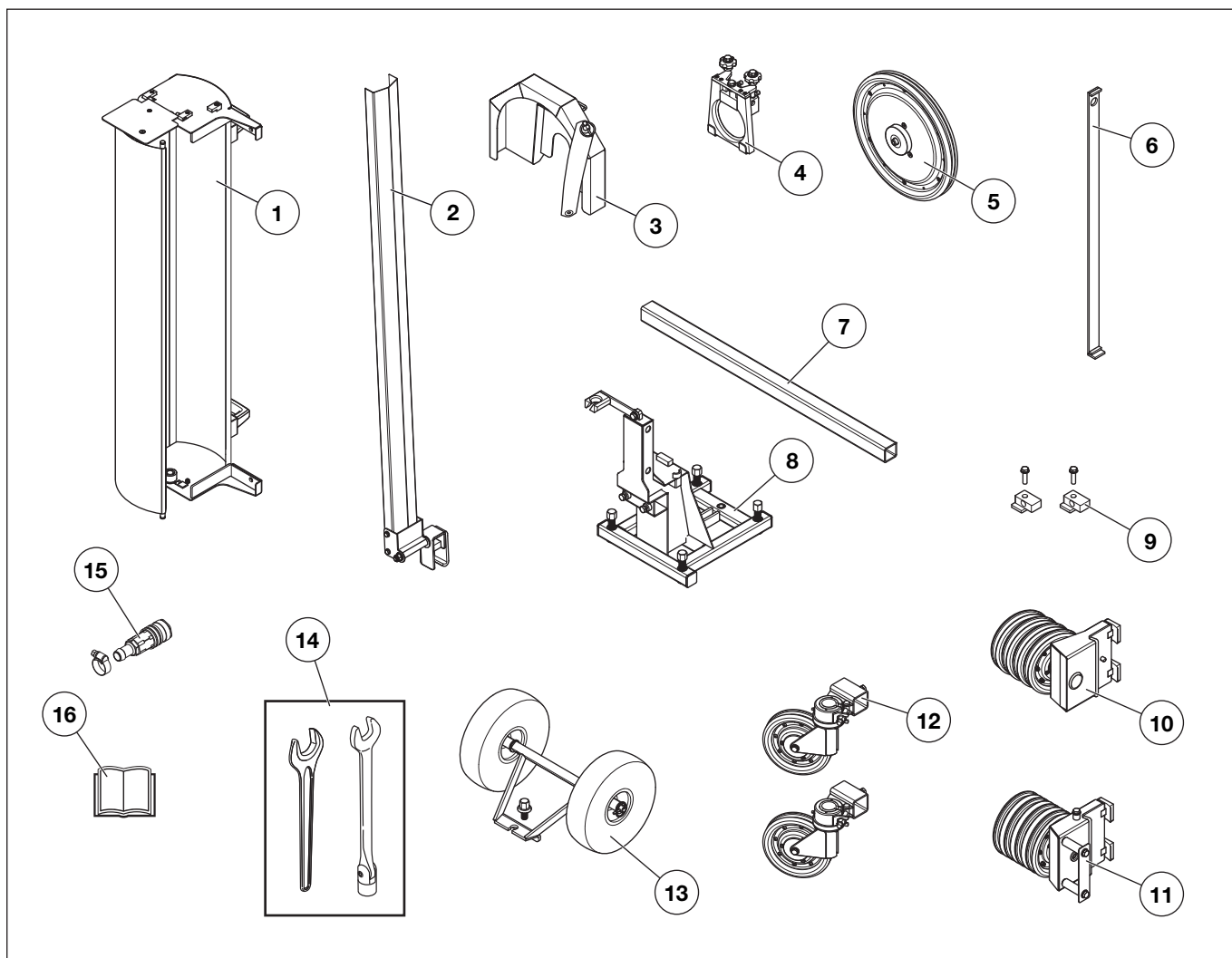
Grande capacidade do carregador

O comprimento máx. de fio através da serra é 11,7 m (38 pés) e a capacidade do carregador é de 10 m (33 pés).

Instalação à direita ou à esquerda

A serra pode ser montada à direita ou à esquerda. Isto é útil quando é necessário fazer cortes junto às esquinas.

APRESENTAÇÃO



Como se chama na máquina?

- | | |
|-------------------------|--|
| 1 Protecção da roda | 9 Espigote de centragem, cobertura do carregador |
| 2 Protecção do fio | 10 Carregador superior |
| 3 Protecção do carretel | 11 Carregador inferior |
| 4 Suporte da protecção | 12 Carretéis móveis |
| 5 Carretel | 13 Rodas de transporte |
| 6 Fixação da broca | 14 Jogo de ferramentas |
| 7 Trave | 15 Ligação da água |
| 8 Placa base | 16 Instruções para o uso |

EQUIPAMENTO DE SEGURANÇA DA MÁQUINA

Noções gerais



ATENÇÃO! Nunca use uma máquina com peças de segurança defeituosas. Se a sua máquina não satisfizer a algum desses controlos, deverá ser enviada a uma oficina autorizada para reparação.

Nesta secção esclarecem-se quais são as peças de segurança da máquina, que função desempenham e ainda como efectuar o controlo e a manutenção para se certificar da sua operacionalidade.

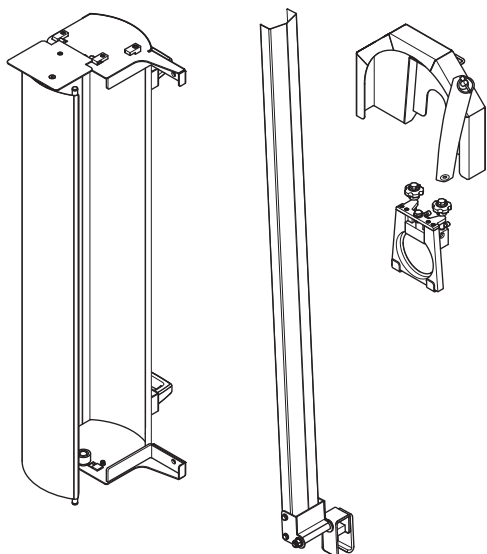
Esta máquina pode ser utilizada em combinação com outros produtos. Leia as instruções fornecidas com os produtos com atenção e compreenda o seu conteúdo antes de fazer uso da máquina.

Coberturas de protecção



ATENÇÃO! Nunca use a máquina sem protecção ou com protecção danificada. Verifique sempre se as protecções estão correctamente montadas antes de pôr a máquina a funcionar.

As coberturas de protecção são concebidas para protegerem contra o contacto accidental com o equipamento de corte e para reduzirem o risco de acidentes em caso de quebra de um fio.



Inspeção das coberturas de protecção



ATENÇÃO! Desligue a máquina e retire a tomada da parede.

- Verificar se existem rachas ou outro tipo de danos nas coberturas de protecção. Substituir as coberturas danificadas.

MONTAGEM E AJUSTAMENTOS

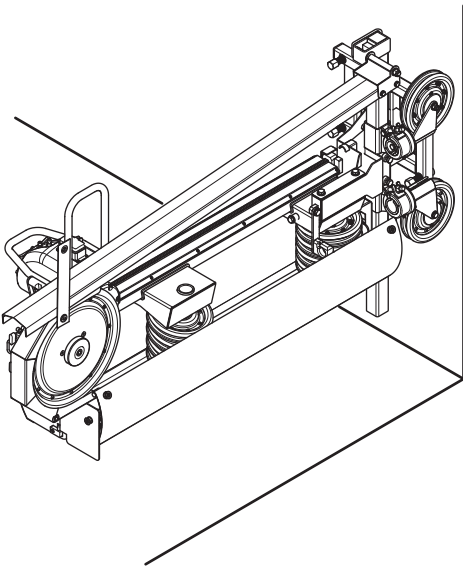
Noções gerais



ATENÇÃO! Posicionar sempre a máquina para que o operador não corra o risco de ser atingido pelo fio de corte se este quebrar. Certifique-se de que pessoas não autorizadas não podem aceder à área de trabalho durante a serragem. Ser atingido por um fio pode causar a morte ou ferimentos graves.

Antes da instalação da serra, a serragem deve ser planeada com cuidado para que a operação decorra com a maior facilidade possível.

- A serra pode ser montada na parede e no chão.
- A serra pode ser montada à direita ou à esquerda. Isto é útil quando é necessário fazer cortes junto às esquinas.

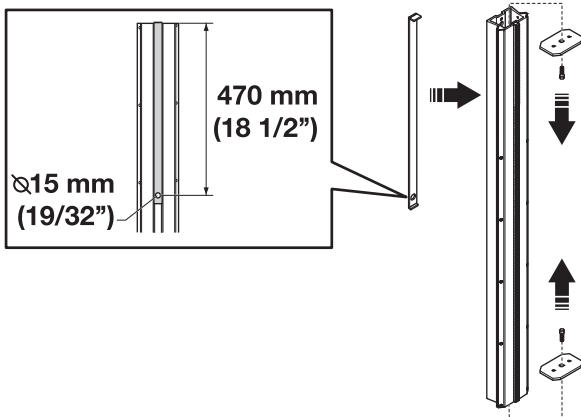


- Se for necessário, fazer furos para enfiar o fio de corte através do material que vai ser cortado.

Utilização com o carril existente

Quando se utiliza com um carril existente, é necessário proceder a alguns ajustes.

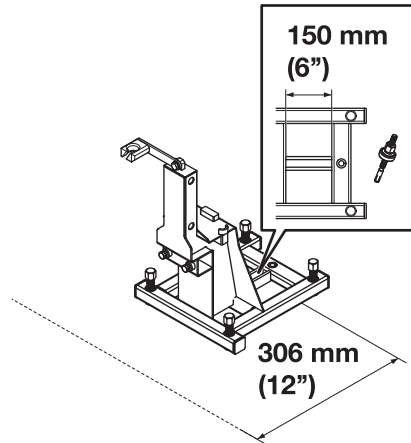
- Remover os batentes de fim de curso.



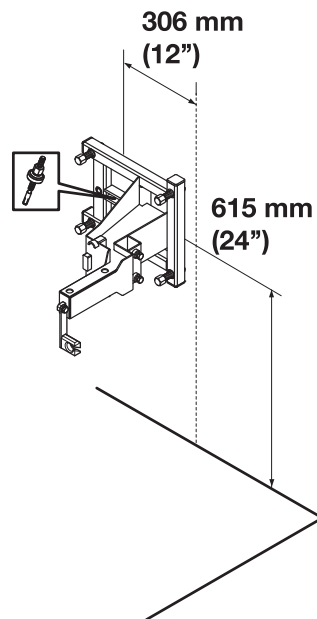
- Perfure um orifício de 15 mm (19/32"), a uma distância de 470 mm (18 1/2") da extremidade superior do carril. Utilize a broca fornecida. O furo é necessário para montar o carregador superior.

Fixar a placa de base

- Posicionar a máquina adequadamente em frente do corte planeado.
- Travar a serra com um parafuso de ancoragem.
- A distância entre a linha de corte e o parafuso é de 306 mm (12").



- Ao cortar cortes verticais com a serra montada na parede, a distância mínima do chão ao parafuso é de 615 mm (24").

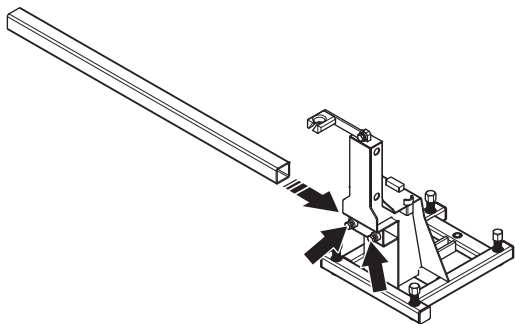


- Quando a placa de base for ancorada, apertar os pés de regulação de modo a que a serra fique bem assente.

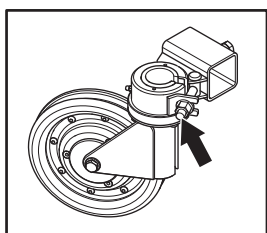
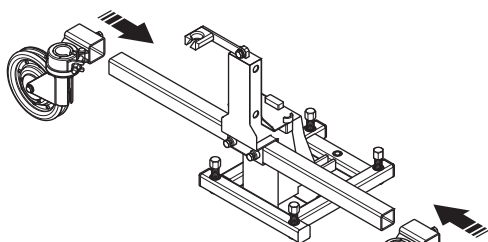
MONTAGEM E AJUSTAMENTOS

Montar a serra

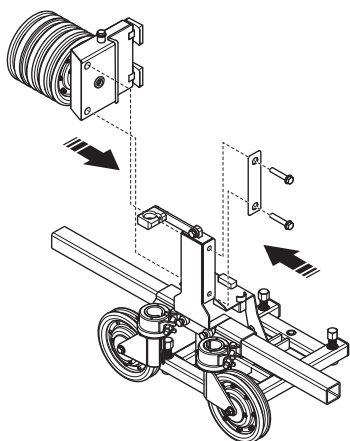
- Montar a trave sobre a placa de base.



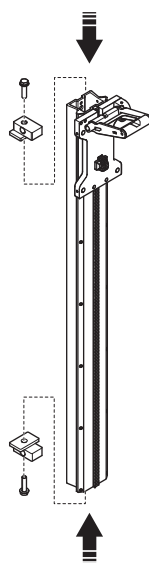
- Monte os carretéis móveis na viga. Os carretéis móveis podem ser configurados para assumirem uma posição fixa, apertando a porca.



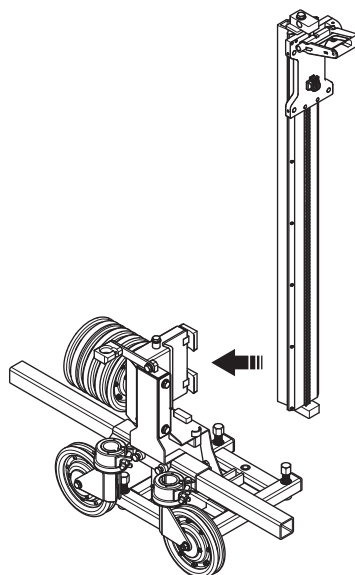
- Montar o carregador inferior na placa do fundo. Pode ser montado do lado direito e do lado esquerdo.



- Montar os suportes para a cobertura do carregador no carril.

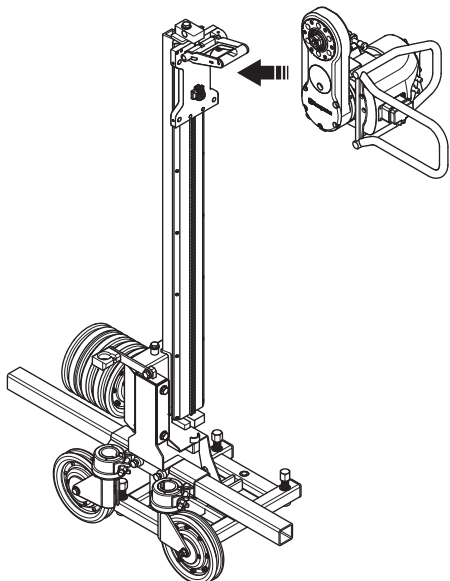


- Montar o carril no espigote de centragem no carregador inferior. O orifício para a montagem do carregador superior deverá estar voltado para cima.



MONTAGEM E AJUSTAMENTOS

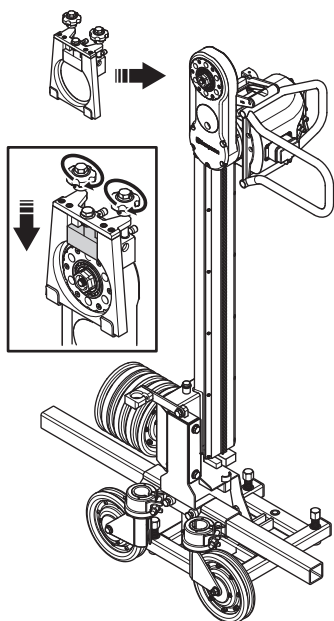
- Montar o motor da serra no carro da serra.



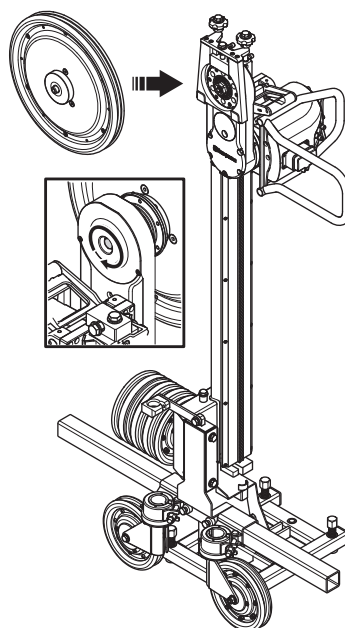
ATENÇÃO! O braço de corte deve apontar sempre na mesma direcção que o carril. A função de alimentação de profundidade não pode ser utilizada ao cortar com um fio. A falta de cuidado pode causar ferimentos graves ou mesmo a morte.

ATENÇÃO! Assegurar que a cobertura de plástico na serra aponta para cima quando a serra está montada na parede, a fim de evitar a acumulação de água e sujidade no interior da cobertura.

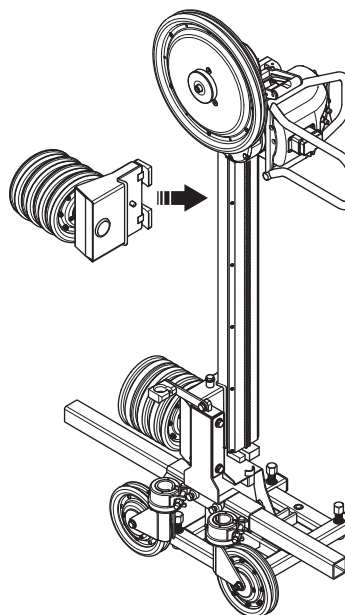
- Montar o suporte da protecção no motor da serra. Aparafusar os dispositivos de fixação para baixo para bloquear o suporte da protecção.



- Montar o pinhão no motor da serra. Apertar o parafuso de fixação para travar o pinhão.



- Montar o carregador superior no carril. Alinhar o pino no espigote de centragem do carregador com o furo no carril.

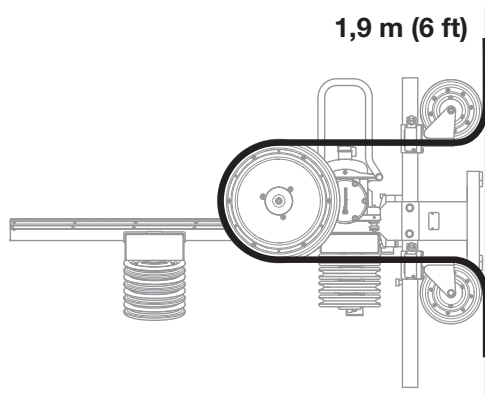


MONTAGEM E AJUSTAMENTOS

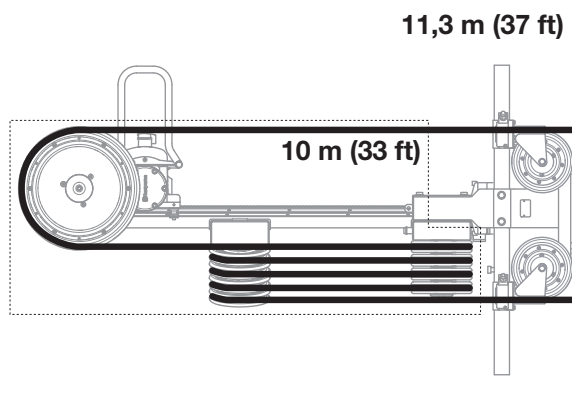
Colocar o fio

ATENÇÃO! Um fio usado deve operar sempre no mesmo sentido em que foi usado anteriormente para não provocar um desgaste ainda maior.

- Mover o carro da serra o mais para baixo possível.
- Pôr o fio à volta da peça a cortar, eventualmente através de furos feitos previamente.
- Se colocar o comprimento mínimo de fio na serra, 1,9 m (6 pés), colocar o fio apenas sobre o pinhão.



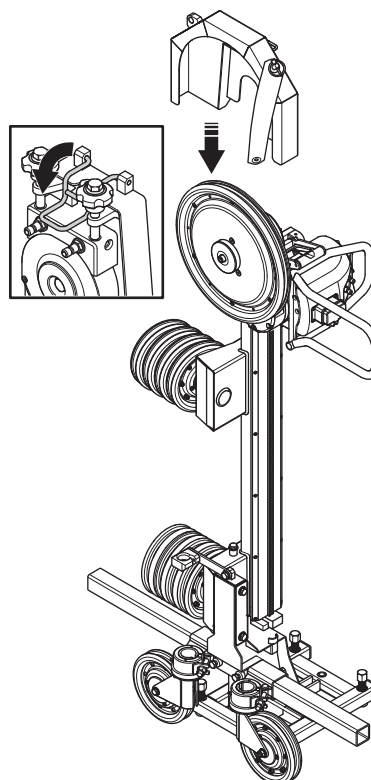
- À medida que o corte avança, fazer passar o fio através no número adequado de pares de roldanas no carregador. O comprimento máx. de fio através da serra é 11,3 m (37 pés) e a capacidade do carregador é de 10 m (33 pés).



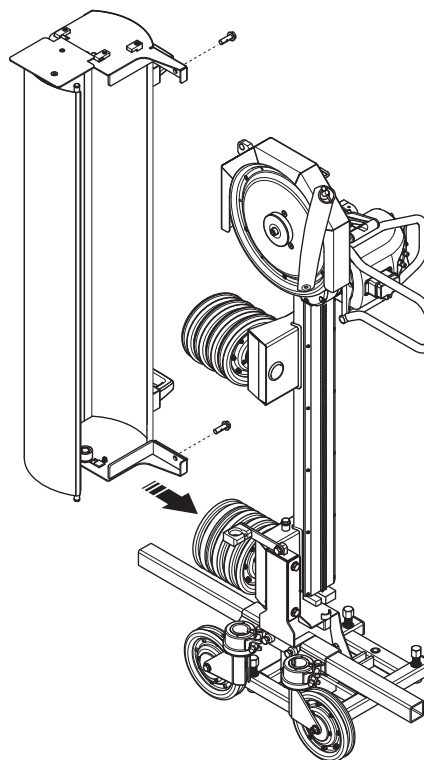
- Antes da montagem das uniões do fio, este deve ser retorcido 1-2 voltas por metro de fio usado. É importante que a torção do fio seja feita no mesmo sentido em que foi entrançado para que o desgaste dos segmentos diamantados seja tão uniforme quanto possível. Um fio fechado não precisa de ser dividido antes de ser colocado na máquina.

Montar as coberturas de protecção

- Colocar a protecção do pinhão sobre o suporte da protecção. Apertar a protecção com a cinta.

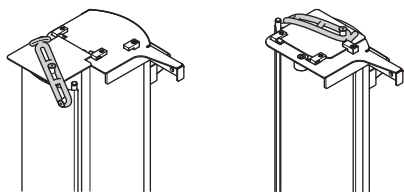


- Montar a cobertura do carregador nos suportes.

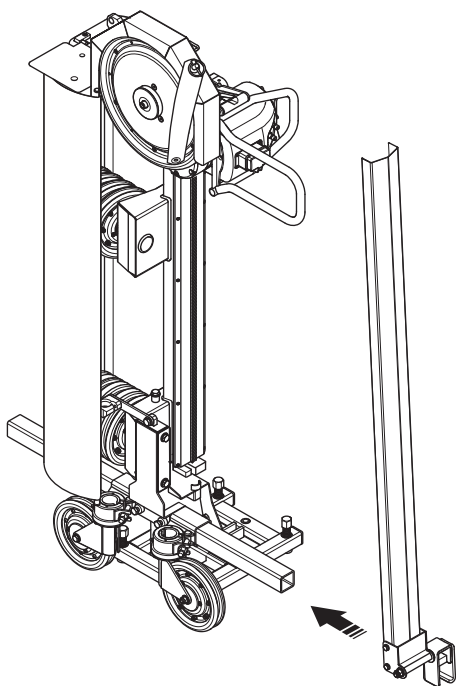


MONTAGEM E AJUSTAMENTOS

- A cobertura do carregador pode ser trancada em posição fechada e aberta usando a cinta de borracha.

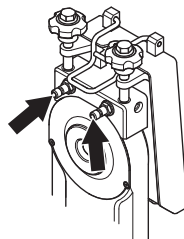


- Montar a protecção do fio na trave e através do suporte na protecção do pinhão.



Ligar a água de arrefecimento

- Ligar uma mangueira de água do motor da serra a um dos conectores no suporte da protecção.



- A água arrefece o braço de corte.
- A partir do outro conector no suporte da protecção, pode-se conduzir-se a água através de uma mangueira ou de um jacto de água para arrefecer o fio.
- As lanças de água são então posicionadas no sítio onde o fio entra no betão. Deste modo, o fio transporta água consigo para dentro do corte, de modo que o pó do betão é fixado e o fio é arrefecido com eficiência.

ATENÇÃO! Para que a água possa arrefecer o fio de forma adequada, é essencial ajustar a posição da água de arrefecimento à medida que o material é cortado. Lembre-se de parar sempre a máquina quando o fizer.

Ligue a unidade de alimentação

- Ver instruções no manual do operador do motor da serra e da unidade de alimentação em questão.

OPERAÇÃO

Equipamento de protecção

Noções gerais

Nunca use uma máquina sem que possa pedir ajuda em caso de acidente.

Equipamento de protecção pessoal

Em quaisquer circunstâncias de utilização da máquina deve ser utilizado equipamento de protecção pessoal aprovado. O equipamento de protecção pessoal não elimina o risco de lesão mas reduz os seus efeitos em caso de acidente. Consulte o seu concessionário na escolha do equipamento.



ATENÇÃO! A utilização de produtos de corte, esmerilhamento, perfuração, polimento ou configuração de material, podem criar poeiras e vapores contendo químicos prejudiciais para a saúde. Informe-se sobre a composição do material com que trabalha e use uma máscara respiratória adequada.



ATENÇÃO! A exposição prolongada a ruídos pode provocar danos auditivos permanentes. Por isso, use sempre protectores acústicos aprovados. Esteja sempre atento a sinais de alarme ou avisos de viva voz quando usar protectores acústicos. Retire os protectores acústicos logo que o motor tenha parado.



ATENÇÃO! Ao trabalhar com produtos com peças móveis, há sempre o risco de esmagamento. Use luvas de trabalho para evitar ferimentos.

Use sempre:

- Capacete de protecção
- Protectores acústicos
- Óculos ou viseira de protecção
- Máscara respiratória
- Luvas fortes e de agarre seguro.
- Vestuário justo, forte e confortável que permita total liberdade de movimentos.
- Botas com biqueiras de aço e solas antideslizantes.

Tenha cuidado com peças de vestuário, cabelos compridos e adornos, dado que podem prender-se em componentes móveis.

Outro equipamento de protecção



ATENÇÃO! Podem originar-se faíscas que podem causar um incêndio, ao trabalhar com a máquina. Tenha sempre à mão utensílios para extinção de incêndios.

- Equipamento de combate a incêndios
- Os primeiros socorros devem sempre estar à mão.

Instruções gerais de segurança

Esta secção descreve as regras básicas de segurança para o trabalho com a máquina. A informação apresentada nunca substitui os conhecimentos, capacidades e a experiência de um profissional.

- Leia as instruções para o uso com toda a atenção e compreenda o seu conteúdo antes de fazer uso da máquina.
- Esta máquina pode ser utilizada em combinação com outros produtos. Leia as instruções fornecidas com os produtos com atenção e compreenda o seu conteúdo antes de fazer uso da máquina.
- Esteja consciente de que o operador é responsável por acidentes e situações que possam representar perigo de danos pessoais ou materiais a terceiros.
- Todos os operadores deverão ser instruídos sobre como usar a máquina. É da responsabilidade do proprietário que os operadores recebam instrução.
- A máquina deve ser mantida limpa. As sinalizações e os autocolantes deverão estar totalmente legíveis.



ATENÇÃO! A máquina, se for usada de forma indevida ou incorrecta, pode ser perigosa, causando sérios ferimentos ou mesmo a morte do utente ou outras pessoas.

Nunca deixar crianças ou outras pessoas utilizar a máquina ou efectuar a manutenção que não estejam devidamente formadas no seu manuseamento. Nunca permita que outra pessoa utilize a máquina sem estar certo de que a mesma entendeu o conteúdo do manual de instruções.

Nunca use a máquina quando estiver cansado, tiver bebido álcool ou tomado remédios que possam afectar a sua vista, a sua capacidade de discernimento ou o seu controlo físico.

Há sempre o risco de choques eléctricos ao trabalhar com máquinas eléctricas. Evite trabalhar com condições atmosféricas desfavoráveis e em contacto físico com pára-raios e objectos metálicos. Para evitar acidentes, siga sempre as instruções do manual de instruções.



ATENÇÃO! Modificações e/ou acessórios não autorizados podem provocar sérias lesões ou perigo de vida para o utilizador ou outros.

Não modifique nunca esta máquina de forma a deixar de corresponder à versão original e não a use caso pareça ter sido modificada por outros.

Nunca use uma máquina defeituosa. Efectue as verificações de segurança e cumpra as instruções de manutenção e assistência técnica contidas neste manual. Alguns serviços de manutenção e de assistência técnica deverão ser executados por especialistas qualificados. Consulte as instruções na secção Manutenção.

Devem usar-se sempre acessórios originais.

Use sempre o seu bom senso

Não é possível cobrir todas as situações possíveis que poderá enfrentar. Actue sempre com precaução e use de senso comum. Caso se encontre numa situação em que se sinta inseguro, interrompa o trabalho e consulte um especialista. Contacte o seu revendedor, a sua oficina de serviço ou um utilizador experiente. Evite toda a utilização para a qual não se sinta suficientemente habilitado!

Segurança no local de trabalho



ATENÇÃO! A distância de segurança para todas as partes móveis é no mínimo 1,5 m. Você é responsável pelo afastamento de animais e espectadores do local de trabalho.

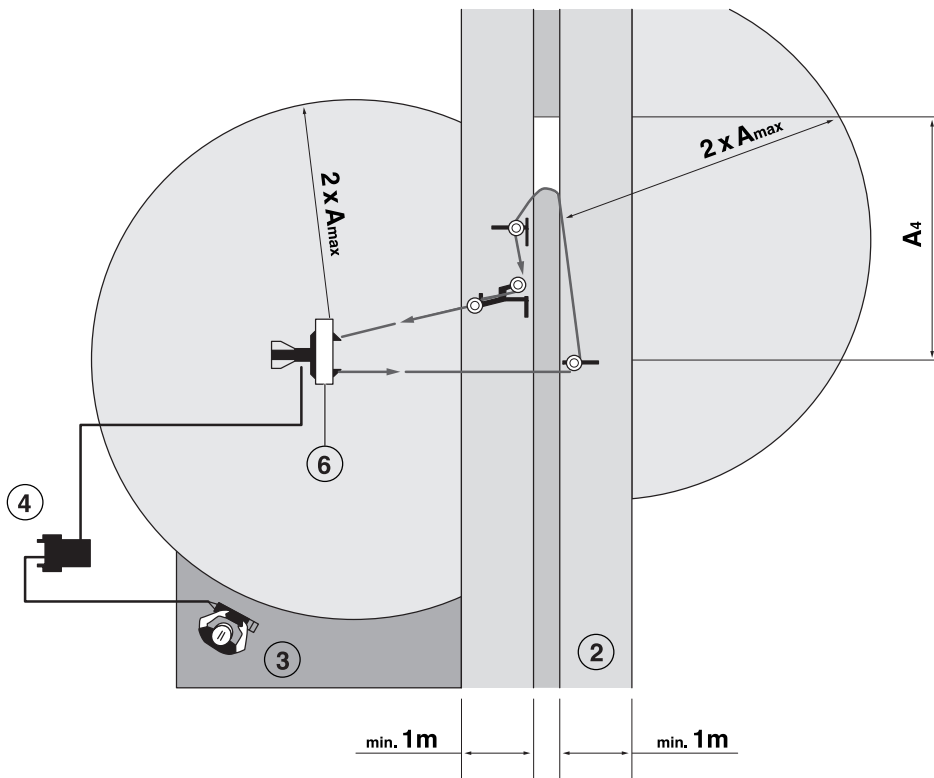
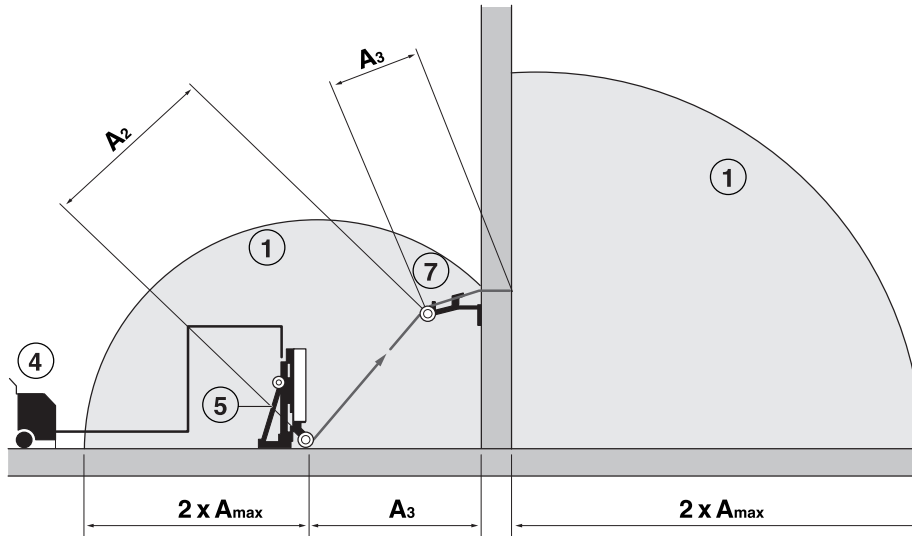
- Observe a zona de modo a assegurar-se de que nada irá afectar o seu controlo sobre a máquina. Não deixe nunca a máquina sem vigilância com o motor a trabalhar.
- Evite o uso em condições meteorológicas desfavoráveis. Por exemplo, em denso nevoeiro, chuva e vento fortes, frio intenso, etc. Trabalhar com mau tempo é cansativo e pode ocasionar situações perigosas, por exemplo, solo escorregadio.
- Assegure-se de que a área de trabalho está suficientemente iluminada, para que o ambiente de trabalho seja seguro.
- Nunca inicie o trabalho com a máquina antes de certificar-se que o local de trabalho está desimpedido e que tenha um apoio seguro para os seus pés.
- Assegure-se de que não existem canalizações ou cabos eléctricos no interior da peça a trabalhar ou na área de trabalho.
- Certifique-se de que os cabos eléctricos existentes dentro da área de trabalho não estão sob tensão.

OPERAÇÃO

Área de risco da máquina

Ninguém deverá estar dentro da área de risco da máquina durante a respectiva operação. Isto também se aplica ao operador.

Corte de paredes

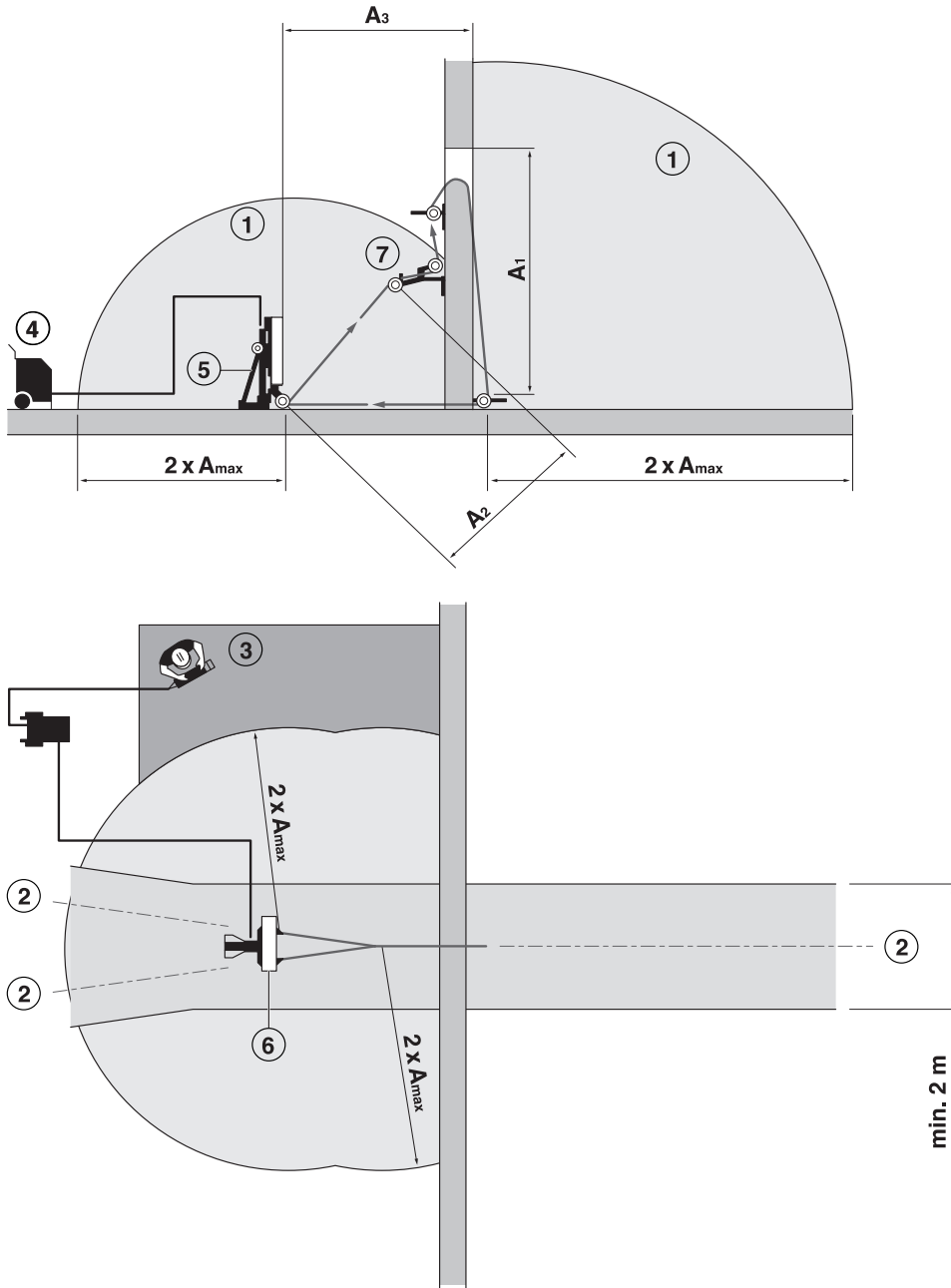


(A_{max}) Maior secção de fio livre (A_1 - A_4)

- 1 Área de risco
- 2 Área de risco da projecção horizontal do fio na direcção do operador
- 3 Posição recomendada para o operador
- 4 Unidade de alimentação
- 5 Unidade de accionamento do fio
- 6 Protecção do fio
- 7 Roldanas giratórias

OPERAÇÃO

Corte com carretéis móveis adicionais

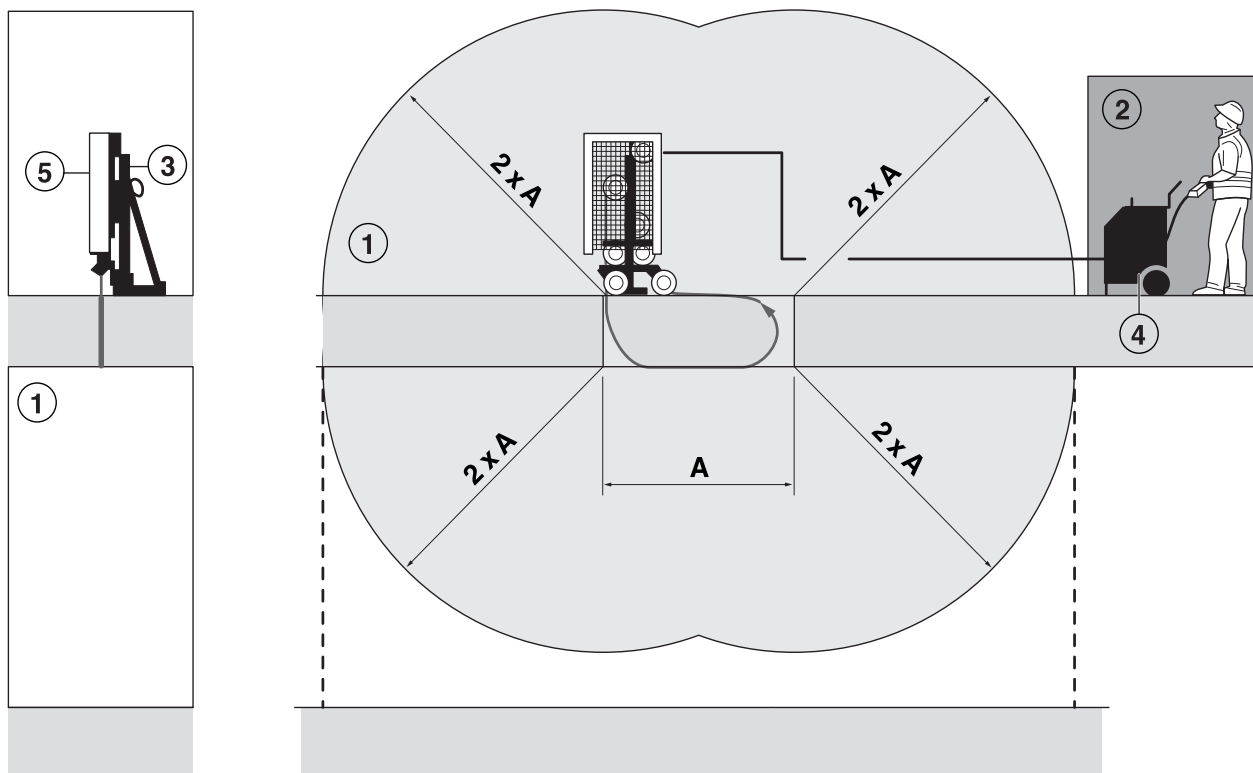


(A_{max}) Maior secção de fio livre (A_1 - A_3)

- 1 Área de risco
- 2 Área de risco da projecção horizontal do fio na direcção do operador
- 3 Posição recomendada para o operador
- 4 Unidade de alimentação
- 5 Unidade de accionamento do fio
- 6 Protecção do fio
- 7 Roldanas giratórias

OPERAÇÃO

Corte de pisos



(A) Maior secção de fio livre

- 1 Área de risco
- 2 Posição recomendada para o operador
- 3 Unidade de accionamento do fio
- 4 Unidade de alimentação
- 5 Protecção do fio

OPERAÇÃO

Técnicas básicas de trabalho

- Esta máquina destina-se a ser utilizada apenas em conjunto com os equipamentos Husqvarna WS 440 HF + PP 440 HF ou WS 482 HF + PP 480 HF. Todos os outros usos são interditos.
- Esta máquina foi concebida e destinada para serrar cimento, tijolo e diferentes materiais de pedra. Todas as outras utilizações são inadequadas.
- A máquina destina-se a ser usada por operadores experientes em aplicações industriais.
- Nunca use a máquina quando estiver cansado, tiver bebido álcool ou tomado remédios que possam afectar a sua vista, a sua capacidade de discernimento ou o seu controlo físico.
- Mantenha todas as peças em bom estado de funcionamento e certifique-se de que todos os elementos de fixação estão bem apertados.
- Verifique que as protecções estão montadas correctamente e não apresentam sinais de danos. Nunca realize cortes sem a protecção.
- Utilize apenas o fio diamantado recomendado pelo fabricante. Consulte o seu concessionário na escolha do produto adequado.
- Nunca utilize um fio diamantado desgastado ou danificado.
- Um fio usado deve operar sempre no mesmo sentido em que foi usado anteriormente para não provocar um desgaste ainda maior.
- Nunca corte sem água de arrefecimento. Um fio diamantado pouco arrefecido pode causar o sobreaquecimento de alguns segmentos, resultando num desgaste superior. No pior cenário, os segmentos podem soltar-se do fio e causar ferimentos nas pessoas que se encontram na proximidade da serra.
- Antes de serrar, todos os cortes que vão ser executados deverão ser marcados nitidamente e planeados de forma a poderem ser efectuados sem perigo para pessoas ou para a máquina.
- Fixe firmemente ou ancore os blocos de cimento antes de cortar. O peso elevado do material cortado pode causar bastantes danos à máquina e ferimentos pessoais graves, caso não possa ser movido em condições controladas.
- Não deixe nunca a máquina sem vigilância com o motor a trabalhar.
- Nunca utilize a serra de forma que não consegue facilmente alcançar a paragem de emergência no controlo remoto ou na unidade de alimentação. Consulte o manual da unidade de alimentação.
- Tenha cuidado ao levantar pesos. As peças com que trabalha são pesadas, o que implica, entre outros, perigo de esmagamento.

Transporte e armazenagem

- Desligue sempre a unidade de alimentação e retire o cabo de alimentação eléctrica antes de deslocar o equipamento.
- Fixe o equipamento para transportá-lo, de modo a evitar danos e acidentes durante o transporte.
- Armazene o equipamento numa área que seja possível de trancar, de modo a mantê-lo fora do alcance de crianças e pessoas não autorizadas.

ARRANQUE E PARAGEM

Antes de ligar



ATENÇÃO! A máquina necessita de software para corte com fio instalado no controlo remoto e na unidade de alimentação. O equipamento que não tenha este software terá de ser entregue a um revendedor de assistência autorizado para ser actualizado. A máquina não pode ser usada até que o novo software seja instalado.

Leia as instruções para o uso com toda a atenção e compreenda o seu conteúdo antes de fazer uso da máquina.

Esta máquina pode ser utilizada em combinação com outros produtos. Leia as instruções fornecidas com os produtos com atenção e compreenda o seu conteúdo antes de fazer uso da máquina.

Use equipamento de protecção pessoal. Ver as instruções na secção "Equipamento de protecção pessoal".

Não permita a presença de pessoas estranhas na área de trabalho, sob risco de danos pessoais sérios.

- Verifique que a máquina se encontra correctamente montada e não apresenta sinais de danos. Ver instruções na secção "Montagem e ajustamentos".
- Execute uma manutenção diária. Ver as instruções na secção "Manutenção".

Arranque

- Siga as instruções de colocação em funcionamento que são fornecidas com a unidade de alimentação.

Adenda às instruções de iniciação de corte com fio

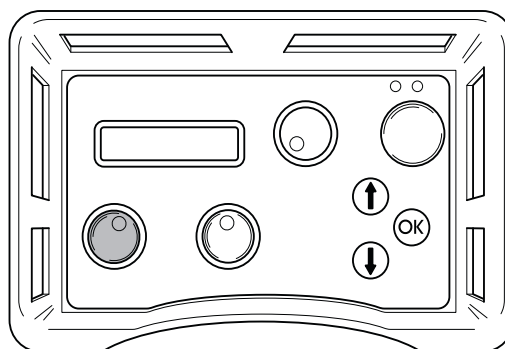
- **WS 482 HF:** No visor do controlo remoto surge "SELECCIONAR MUDANÇA". Seleccionar "Gear 2" (velocidade 2). Confirmar com "OK".
- Vá para a opção "DRIVING MODE" (modo de condução), navegando no menu de operação por meio do uso das teclas de seta.
- Seleccionar "Wire" (fio). Confirmar com "OK".

Alinhar o braço de corte



ATENÇÃO! Quando o braço de corte está alinhado com o carril, o controlo de alimentação de profundidade já não pode ser utilizado. A falta de cuidado pode causar ferimentos graves ou mesmo a morte.

- Antes de começar a cortar, é preciso posicionar o braço de corte de modo a que este fique alinhado com o carril. Isto é feito com o controlo de alimentação de profundidade. Quando o braço de corte está alinhado com o carril, o controlo de alimentação de profundidade já não pode ser utilizado.



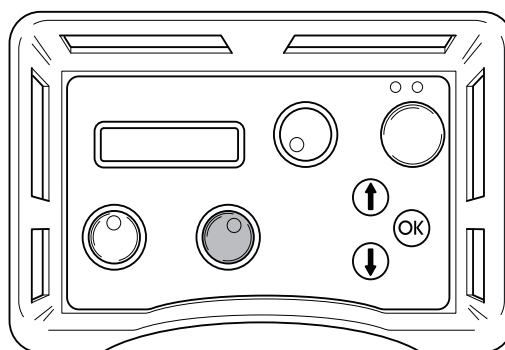
Durante a operação, o controlo da alimentação de profundidade é desactivado.

Esticar o fio



ATENÇÃO! Não esticar excessivamente o fio! Um fio demasiado esticado irá travar a rotação e pode levar a que o fio se parta. A falta de cuidado pode causar ferimentos graves ou mesmo a morte.

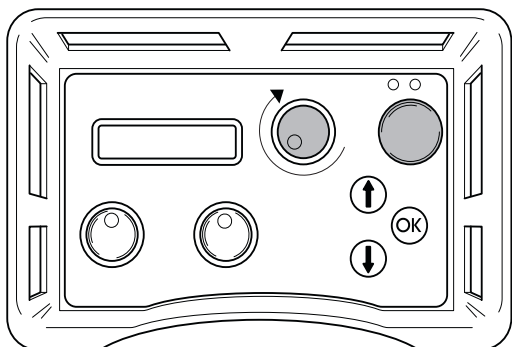
- Verificar se o fio está colocado correctamente em todas as roldanas.
- Esticar o fio contra a linha de corte, rodando o controlo de alimentação de avanço. O fio deve assentar em todas as roldanas e ficar encostado à peça a trabalhar.



ARRANQUE E PARAGEM

Iniciar a rotação

- Manter premido o botão verde de arranque enquanto roda o controlo de rotação no sentido horário para iniciar a rotação. Rodar o controlo suavemente. Começar com uma velocidade de rotação baixa.
- Verifique que a rotação se processa na direcção pretendida. A rotação pode ser configurada para a direcção pretendida utilizando a opção BLADE ROTATION (rotação da lâmina) do menu de operação.



Se o pino não conseguir iniciar a rotação do fio, a razão pode ser uma das seguintes:

- O fio está demasiado esticado. Afrouxar a tensão.
- As rodas de guia não estão bem ajustadas. Ajustar as rodas de guia.
- A superfície de contacto com a peça de trabalho é grande demais. Acrescentar um carretel.

Procedimento de trabalho



ATENÇÃO! Não cortar continuamente à potência máxima (100%)! Isso provoca uma sobretensão do fio e fará com que ele se parta. A falta de cuidado pode causar ferimentos graves ou mesmo a morte.

- Depois do fio entrar no corte, pode aumentar lentamente a velocidade até atingir o nível desejado. Consultar "Velocidade e velocidade do fio" no capítulo "Especificações técnicas".
- Pode verificar a potência em percentagem no visor. Durante o corte, o valor encontra-se geralmente entre 50 e 100%.

A potência utilizada no corte depende de factores como a unidade de serra utilizada, a dimensão da superfície de contacto do fio com a peça de trabalho, o modo de saída seleccionado etc.

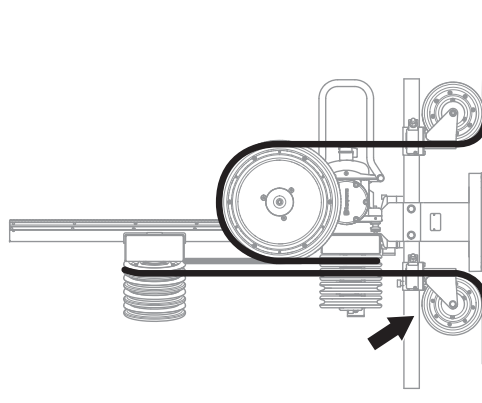
Seja cuidadoso e utilize antes uma potência baixa para reduzir o risco de quebra do fio.

- Mantenha o fio esticado à medida que o material é cortado.

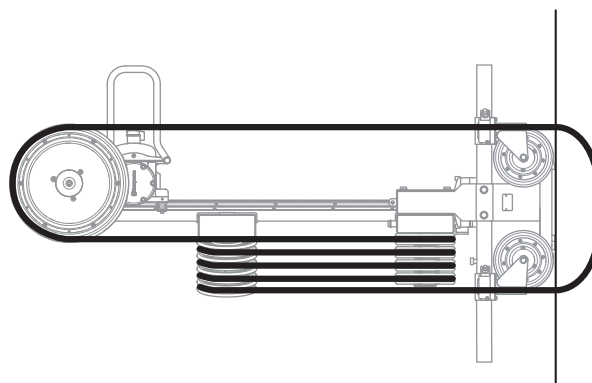
Guardar o fio

Quando a unidade de serra atinge a posição final no carril, o fio tem de ser guardado.

- Parar a rotação.
- Deslocar a serra para a posição de partida, na extremidade mais afastada, contra a placa de baixo.
- Colocar o fio em volta das roldanas do carregador e ajustar a roda directriz mais próxima da roldana de saída do carregador.



- Quando o corte é concluído, as rodas de guia devem ser ajustadas de modo a que o fio possa ser apanhado depois de sair da peça de trabalho.



Paragem

- Rodar os controlos de rotação e de alimentação de avanço para as respectivas posições zero.
- Siga as instruções no manual fornecido com a unidade de alimentação.

Noções gerais



ATENÇÃO! O utente só pode efectuar trabalhos de manutenção e assistência do tipo descrito nestas instruções. Intervenções maiores devem ser efectuadas por uma oficina autorizada.

Desligue a máquina e retire a tomada da parede.

Use equipamento de protecção pessoal. Ver as instruções na secção "Equipamento de protecção pessoal".

A duração da máquina pode ser afectada e o perigo de acidentes pode aumentar se a manutenção da máquina não for correcta e se as revisões e reparações não forem executadas de forma profissional. Se necessitar de mais esclarecimentos, entre em contacto com uma oficina autorizada.

Controle diário

- Verificar se o equipamento de segurança da máquina não se encontra danificado. Ver instruções na secção "Equipamento de segurança da máquina".
- Limpe a máquina externamente. Não utilize lavagem a alta pressão para limpar a serra.
- Verificar se a borracha nas rodas de guia está no lugar e não está gasta.
- Verificar os rolamentos. Rodar as roldanas à mão e assegurar que giram livremente.

Assistência

Além dos cuidados diários como limpeza e lubrificação, deve-se prestar manutenção à máquina. Após 50 horas de serração, a máquina tem que ir à revisão numa oficina Husqvarna autorizada. Depois a serra tem que ir à revisão a cada 100 horas de operação. A revisão é importante para que você, como utilizador, tenha uma máquina que funcione da forma mais eficaz possível durante muito tempo.

ESPECIFICAÇÕES TÉCNICAS

Especificações técnicas

Potência - máx., kW/hp

WS 440 HF	13/17.5
WS 482 HF	19/25.6

Velocidade, rpm

0-1200

Binário de arranque, Nm

WS 440 HF	100
WS 482 HF (Velocidade 2)	160

Capacidade do carregador, m/pés

10/33

Capacidade do fio, m/pés

1,9-11,3 / 6-37

Peso, kg/lbs

WS 440 HF	135/298
WS 482 HF	138 / 304

Direcção de rotação

Ambas as direcções

Grau de protecção

IP 65

Velocidade do fio (a 1200 rpm), m/s / pés/s

24/79

Emissões de ruído (ver nota 1)

Nível de potência sonora, medido em dB(A)	99
Nível de potência sonora, L_{WA} garantido dB(A)	100

Níveis acústicos (ver nota 2)

Nível de pressão acústica junto ao ouvido do utilizador, dB(A) 86

Nota 1: Emissões sonoras para as imediações, medidas sob forma de potência sonora (L_{WA}) conforme a EN 15027/A1.

Nota 2: Nível de ruído em conformidade a EN 15027/A1. Os dados comunicados relativamente ao nível de pressão de ruído tem uma dispersão estatística típica (desvio padrão) de 1,0 dB(A).

Velocidade e velocidade do fio

Rotação do eixo, rpm	Velocidade do fio, m/s	Velocidade do fio, pés/s
1000	20	66
1100	22	72
1200	24	79

Fio diamantado recomendado

Modelo	Materiais abrasivos	Betão calcário	Grau de reforço		
			Baixo	Médio	Alto
C 710	-	-	Bom	Ótimo	Bom
C 760	Aceitável	Bom	Ótimo	Bom	Aceitável
C 1000	Bom	Bom	Bom	Ótimo	Bom
C 1200	Bom	Aceitável	Aceitável	Bom	Ótimo

CERTIFICADO CE DE CONFORMIDADE

Certificado CE de conformidade

Husqvarna AB, SE-561 82 Huskvarna, Suécia, tel.: +46-36-146500, garante por este meio que a serra de fio **Husqvarna CS 10** com número de série do ano 2010 e posterior (o ano é indicado na placa de tipo, seguido de um número de série) está em conformidade com o estipulado na DIRECTIVA DO CONSELHO:

- de 17 de Maio de 2006 "referente a máquinas" **2006/42/CE**.
- de 15 de Dezembro de 2004 "referente a compatibilidade electromagnética" **2004/108/CEE**.
- de 12 de Dezembro de 2006 "referentes a equipamento eléctrico" **2006/95/CE**.
- de 8 de junho de 2011 "relativa à restrição do uso de determinadas substâncias perigosas" **2011/65/UE**

Foram respeitadas as normas seguintes: EN ISO 12100:2010, EN 55014-1:2006, EN 55014-2/A1:2001, EN 61000-3-11:2000, EN 15027/A1:2009.

Göteborg, 12 de Abril de 2015



Helena Grubb

Vice-presidente, equipamento de construção

(Representante autorizado da Husqvarna AB e responsável pela documentação técnica.)

ΕΠΕΞΗΓΗΣΗ ΣΥΜΒΟΛΩΝ

Σύμβολα πάνω στο μηχανήμα

ΠΡΟΕΙΔΟΠΟΙΗΣΗ! Το μηχάνημα μπορεί να γίνει επικίνδυνο. Η απρόσεχτη ή λανθασμένη χρήση μπορεί να έχει ως αποτέλεσμα σοβαρό ή θανάσιμο τραυματισμό του χειριστή ή άλλων ατόμων.



Διαβάστε προσεκτικά τις Οδηγίες χρήσεως και κατανοήστε το περιεχόμενο πριν χρησιμοποιήσετε το μηχάνημα.



Χρησιμοποιείτε ατομικό προστατευτικό εξοπλισμό. Βλ. τις οδηγίες στο κεφάλαιο "Ατομικός προστατευτικός εξοπλισμός"



Αυτό το προϊόν είναι σύμφωνο με τις ισχύουσες οδηγίες της ΕΚ.



Περιβαλλοντική σήμανση. Το σύμβολο στο προϊόν ή στη συσκευασία του υποδηλώνει ότι η απόρριψη αυτού του προϊόντος δεν μπορεί να γίνει όπως με τα οικιακά απορρίμματα. Θα πρέπει να μεταφερθεί σε κατάλληλο σταθμό ανακύκλωσης για ανακύκλωση των ηλεκτρικών και ηλεκτρονικών εξαρτημάτων του.



Φροντίζοντας για τη σωστή απόρριψη αυτού του προϊόντος μπορείτε να συμβάλετε στην αντιμετώπιση τυχόν αρνητικών επιπτώσεων στο περιβάλλον και στους ανθρώπους, οι οποίες μπορεί να προκληθούν από την εσφαλμένη μεταχείριση των απορριμάτων αυτού του προϊόντος.

Για πιο αναλυτικές πληροφορίες σχετικά με την ανακύκλωση αυτού του προϊόντος, επικοινωνήστε με τη δημοτική σας αρχή, με την υπηρεσία διαχείρισης απορριμάτων ή με το κατάστημα στο οποίο έγινε η αγορά του.

Τα υπόλοιπα σύμβολα/επιγραφές του μηχανήματος αναφέρονται σε ειδικές απαιτήσεις για εκπλήρωση προδιαγραφών έγκρισης σε ορισμένες αγορές.

Επεξήγηση επιπέδων προειδοποίησης

Οι προειδοποιήσεις διακρίνονται σε τρία επίπεδα.

ΠΡΟΕΙΔΟΠΟΙΗΣΗ!



ΠΡΟΕΙΔΟΠΟΙΗΣΗ! Χρησιμοποιείται όταν υπάρχει κίνδυνος σοβαρού τραυματισμού ή θανάτου του χειριστή ή πρόκλησης ζημίας στον εξοπλισμό και τον περιβάλλοντα χώρο, εάν δεν τηρούνται οι οδηγίες που παρέχονται στο εγχειρίδιο.

ΠΡΟΣΟΧΗ!



ΠΡΟΣΟΧΗ! Χρησιμοποιείται όταν υπάρχει κίνδυνος τραυματισμού του χειριστή ή πρόκλησης ζημίας στον εξοπλισμό και τον περιβάλλοντα χώρο, εάν δεν τηρούνται οι οδηγίες που παρέχονται στο εγχειρίδιο.

ΣΗΜΕΙΩΣΗ!



ΣΗΜΕΙΩΣΗ! Χρησιμοποιείται όταν υπάρχει κίνδυνος βλάβης στα υλικά ή το μηχάνημα, εάν δεν τηρούνται οι οδηγίες που παρέχονται στο εγχειρίδιο.

ΠΕΡΙΕΧΟΜΕΝΑ

Περιεχόμενα

ΕΠΕΞΗΓΗΣΗ ΣΥΜΒΟΛΩΝ

Σύμβολα πάνω στο μεχάνημα	66
Επεξήγηση επιπέδων προειδοποίησης	66

ΠΕΡΙΕΧΟΜΕΝΑ

Περιεχόμενα	67
-------------------	----

ΠΑΡΟΥΣΙΑΣΗ

Αγαπητέ πελάτη!	68
Σχεδιασμός και λειτουργίες	68
Τι είναι τι στο μεχάνημα;	69

ΕΞΟΠΛΙΣΜΟΣ ΑΣΦΑΛΕΙΑΣ ΤΟΥ ΜΗΧΑΝΗΜΑΤΟΣ

Γενικά	70
--------------	----

ΣΥΝΑΡΜΟΛΟΓΗΣΗ ΚΑΙ ΡΥΘΜΙΣΕΙΣ

Γενικά	71
Εφαρμόστε την υφιστάμενη ράγα	71
Ασφαλίστε το πέδιλο	71
Συναρμολόγηση του πριονιού	72
Περάστε το σύρμα	74
Συναρμολογήστε τα προστατευτικά καλύμματα	74
Συνδέστε την υδατόψηξη	75
Συνδέστε τε μονάδα ισχύος	75

ΛΕΙΤΟΥΡΓΙΑ

Προστατευτικός εξοπλισμός	76
Γενικές οδηγίες ασφάλειας	76
Βασικές τεχνικές εργασίας	81
Μεταφορά και αποθήκευση	81

ΞΕΚΙΝΗΜΑ ΚΑΙ ΣΤΑΜΑΤΗΜΑ

Προτού ξεκινήσετε	82
Εκκίνηση	82
Διαδικασία εργασίας	83
Σταμάτημα	83

ΣΥΝΤΗΡΗΣΗ

Γενικά	84
Καθημερινή φροντίδα	84
Σέρβις	84

ΤΕΧΝΙΚΑ ΣΤΟΙΧΕΙΑ

Τεχνικά στοιχεία	85
Ταχύτητα και ταχύτητα σύρματος	85
Συνιστώμενο σύρμα διαμαντιού	85

ΔΗΛΩΣΗ ΣΥΜΜΟΡΦΩΣΗΣ ΕΚ

ΕΚ–Βεβαίωση συμφωνίας	86
-----------------------------	----

Αγαπητέ πελάτη!

Σας ευχαριστούμε που επιλέξατε ένα προϊόν της Husqvarna!

Ελπίζουμε να μείνετε ικανοποιημένοι από το μεχάνημά σας και ότι θα γίνει ο βοεθός σας που θα σας συνοδεύει για μεγάλο χρονικό διάστημα. Ε αγορά ενός από τα προϊόντα μας σας παρέχει πάντα πρόσβαση σε επαγγελματική βοήθεια με επιδιορθώσεις και σέρβις. Εάν ε αντιπροσωπεία που αγοράσατε το μεχάνημα δεν έχει εξουσιοδοτημένο συνεργείο, τότε ρωτήστε τους για το πλεσιότερο συνεργείο εξυπερέτεσες.

Ελπίζουμε αυτό το εγχειρίδιο χρήσης να σας φανεί ιδιαίτερα χρήσιμο. Βεβαιωθείτε ότι το εγχειρίδιο είναι πάντα διαθέσιμο στο χώρο εργασίας. Τερώντας όσα αναφέρονται σε αυτό (χρήση, επισκευή, συντήρηση, κλπ.) μπορείτε αισθετά να επιμεκύνετε τε ζωή του καθώς και τεν μεταπωλετική του αξία. Αν πουλήσετε το μεχάνημά σας, ψροντίστε να δώσετε στον νέο κάτοχο και το εγχειρίδιο οδεγιών.

Πάνω από 300 χρόνια καινοτομίας

H Husqvarna AB είναι μία Σουηδική με παράδοση που ανάγεται στο 1689, όταν ο Σουηδός Βασιλιάς Κάρολος XI διάταξε την κατασκευή ενός εργοστασίου για την παραγωγή μουσκέτων. Την εποχή εκείνη, είχαν ήδη μπει τα θεμέλια για τις μηχανολογικές ικανότητες πίσω από την ανάπτυξη κάποιων από τα κορυφαία προϊόντα του κόσμου, σε τομείς όπως τα κυνηγετικά όπλα, τα ποδήλατα, τις μοτοσικλέτες, τις οικιακές συσκευές, τις ραπτομηχανές και άλλα προϊόντα εξωτερικών δραστηριοτήτων.

H Husqvarna αποτελεί τον παγκόσμιο ηγέτη στον τομέα του εξωτερικού εξοπλισμού ισχύος για τη δασοκομία, τη συντήρηση πάρκων και τη φροντίδα γρασιδιού και κήπων, καθώς επίσης και τον τομέα του εξοπλισμού κοπής και των αδμαντοφόρων εργαλείων τόννευσης γιατ τις βιομηχανίες κατασκευών και κατεργασίας λίθων.

Ευθύνη του ιδιοκτήτη

Αποτελεί ευθύνη του ιδιοκτήτη/εργοδότη να διασφαλίσει ότι ο χειριστής διαθέτει επαρκή γνώση σχετικά με τον ασφαλή τρόπο χρήσης της μηχανής. Οι επόπτες και οι χειριστές οφείλουν να έχουν αναγνώσει και κατανοήσει το Εγχειρίδιο Χρήσης. Θα πρέπει να γνωρίζουν:

- Τις οδηγίες ασφαλείας του μηχανήματος.
- Το εύρος εφαρμογών και περιορισμών του μηχανήματος.
- Τον τρόπο χρήσης και συντήρησης του μηχανήματος.

H χρήση του παρόντος μηχανήματος είναι πιθανό να υπόκειται σε εθνική νομοθεσία. Μάθετε τι ορίζει η νομοθεσία στη περιοχή στην οποία εργάζεστε πριν αρχίσετε να χρησιμοποιείτε το μηχανήμα.

Τις επιφυλάξεις του κατασκευαστή

Μετά τη δημοσίευση του παρόντος εγχειριδίου, η Husqvarna μπορεί να εκδώσει συμπληρωματικές πληροφορίες σχετικά με την ασφαλή λειτουργία αυτού του προϊόντος. Εναπόκειται στην ευθύνη του ιδιοκτήτη να είναι ενημερωμένος σχετικά με τις ασφαλέστερες μεθόδους λειτουργίας.

H Husqvarna AB αναπτύσσει συνεχώς τα προϊόντα της και για το λόγο αυτό επιφυλάσσει στον εαυτό της το δικαίωμα τροποποιήσεων πχ. ως προς το σχεδιασμό και την εμφάνιση, χωρίς προειδοποίηση.

Για πληροφορίες και βοήθεια των πελατών, επικοινωνήστε μαζί μας στο δικτυακό μας τόπο: www.husqvarna.com

Σχεδιασμός και λειτουργίεσ

Αξίες όπως η άριστη απόδοση, η αξιοπιστία, η καινοτόμος τεχνολογία, οι προηγμένες τεχνολογικές λύσεις και ο σεβασμός του περιβάλλοντος διακρίνουν τα προϊόντα της Husqvarna. Ο χειριστής πρέπει να διαβάσει προσεκτικά το παρόν εγχειρίδιο, προκειμένου να διασφαλιστεί η ασφαλή λειτουργία αυτού του προϊόντος. Εάν χρειάζεστε περισσότερες πληροφορίες, απευθυνθείτε στον αντιπρόσωπό σας ή στην Husqvarna.

Παρακάτω περιγράφονται ορισμένα από τα μοναδικά χαρακτηριστικά του προϊόντος σας.

Σύνθετο πριόνι

Το CS 10 είναι ένα σύνθετο πριόνι, που καθοδηγείται από ένα πριόνι τοίχου. Για την οδήγηση του πριονιού με σύρμα μπορεί να χρησιμοποιηθεί ο υπάρχων εξοπλισμός.

Αυτό το μηχάνημα προορίζεται για χρήση αποκλειστικά με τα Husqvarna WS 440 HF + PP 440 HF ή τα Husqvarna WS 482 HF + PP 480 HF. Απαγορεύεται κάθε άλλη χρήση.

Περιστρεφόμενες τροχαλίες

Οι ανοιχτές περιστρεφόμενες τροχαλίες χρησιμοποιούνται σαν εισερχόμενη και εξερχόμενη τροχαλία του πριονιού. Μπορούν να περιστρέφονται κατά μήκος της γραμμής κοπής ή μπορούν να ρυθμιστούν σε σταθερή θέση.

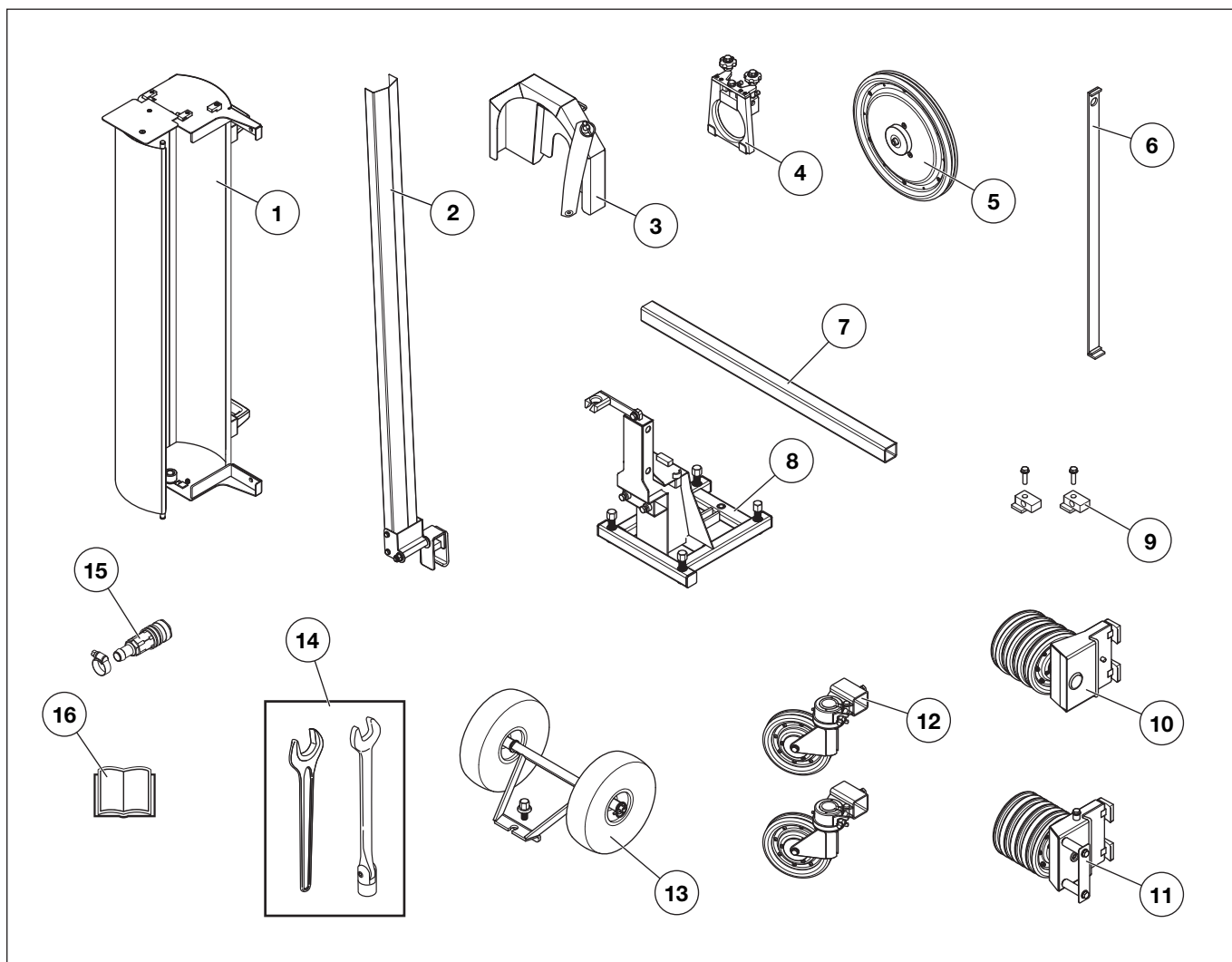
Μεγάλη χωρητικότητα διάταξης περιέλιξης

Το μέγιστο μήκος σύρματος για το πριόνι είναι 11,7 μέτρα και η χωρητικότητα της διάταξης περιέλιξης είναι 10 μέτρα.

Ρύθμιση στην αριστερή ή τη δεξιά γωνία

Το πριόνι μπορεί να συναρμολογηθεί σε μια δεξιά ή αριστερή θέση. Αυτό είναι ιδιαίτερα χρήσιμο όταν θέλετε να πραγματοποιήσετε εργασίες κοπής κοντά σε γωνίες.

ΠΑΡΟΥΣΙΑΣΗ



Τι είναι τι στο μηχανήμα;

- | | |
|------------------------------------|---|
| 1 Προφυλακτήρας τροχού οδήγησης | 9 Τοποθέτηση, κάλυμμα διάταξης περιέλιξης |
| 2 Προφυλακτήρας σύρματος | 10 Άνω διάταξη περιέλιξης |
| 3 Προφυλακτήρας τροχαλίας οδήγησης | 11 Κάτω διάταξη περιέλιξης |
| 4 Στήριγμα προφυλακτήρα | 12 Περιστρεφόμενες τροχαλίες |
| 5 Τροχαλία οδήγησης | 13 Ρόδες μεταφοράς |
| 6 Διάταξη στερέωσης τρυπανιού | 14 Σετ εργαλείων |
| 7 Δοκός | 15 Σύνδεσμος νερού |
| 8 Πέδιλο | 16 Οδηγίες χρήσεως |

Γενικά



ΠΡΟΕΙΔΟΠΟΙΗΣΗ! Ποτέ μην χρησιμοποιείτε ένα μηχάνημα με ελαττωματικά εξαρτήματα ασφάλειας. Εάν το μηχανήμα σας δεν πληρεί τους απαιτούμενους ελέγχους, απευθυνθείτε στον αντιπρόσωπο του σέρβις για επιδιόρθωση.

Στο μέρος αυτό παρουσιάζονται τα εξαρτήματα ασφάλειας του μηχανήματος, η αποστολή τους καθώς και ο τρόπος ελέγχου και συντήρησης για την ασφαλή λειτουργία τους.

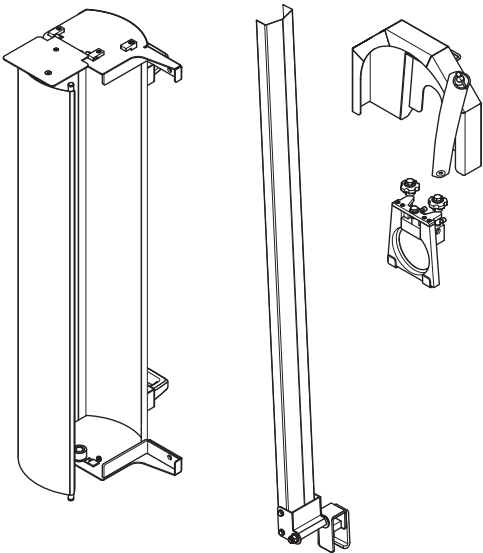
Το μηχάνημα αυτό χρησιμοποιείται σε συνδυασμό με άλλα προϊόντα. Διαβάστε προσεκτικά το εγχειρίδιο που παρέχεται με τα προϊόντα και βεβαιωθείτε ότι κατανοείτε τις οδηγίες πριν χρησιμοποιήσετε το μηχάνημα.

Προστατευτικά καλύμματα



ΠΡΟΕΙΔΟΠΟΙΗΣΗ! Μην χρησιμοποιείτε ποτέ το μηχάνημα χωρίς προφυλακτήρα ή με ελαττωματικό προφυλακτήρα. Να ελέγχετε πάντοτε αν είναι σωστά τοποθετημένα τα προστατευτικά πριν βάλετε σε λειτουργία το μηχάνημα.

Τα προστατευτικά καλύμματα είναι σχεδιασμένα ώστε να προστατεύουν από τυχαία επαφή με τον εξοπλισμό κοπής και να μειώνουν τον κίνδυνο ατυχημάτων σε περίπτωση σπασμένου σύρματος.



Εξέταση των προστατευτικών καλυμμάτων



ΠΡΟΕΙΔΟΠΟΙΗΣΗ! Απενεργοποιείτε το μηχάνημα και αποσυνδέετε το θύσμα ρεύματος.

- Ελέγξτε τα προστατευτικά καλύμματα για τυχόν ρωγμές ή άλλες φθορές. Αντικαταστήστε τα καλύμματα που έχουν υποστεί βλάβη.

ΣΥΝΑΡΜΟΛΟΓΗΣΗ ΚΑΙ ΡΥΘΜΙΣΕΙΣ

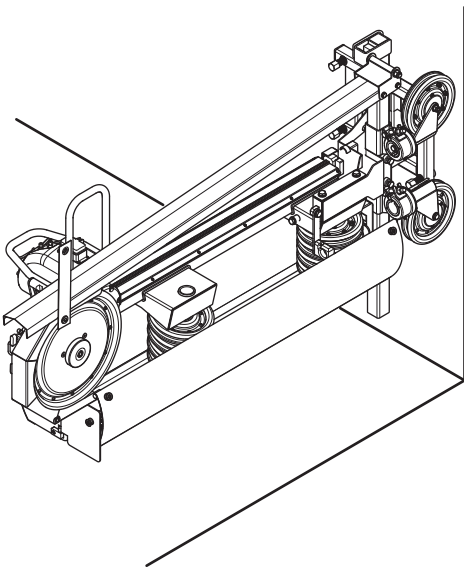
Γενικά



ΠΡΟΕΙΔΟΠΟΙΗΣΗ! Να τοποθετείτε πάντα το εργαλείο κοπής με τέτοιο τρόπο ώστε να μπορείτε να το πλησιάζετε χωρίς να κινδυνεύετε να χτυπήσετε από σπασμένο σύρμα. Βεβαιωθείτε ότι δεν είναι δυνατή η πρόσβαση στο χώρο εργασίας κατά τη διάρκεια της κοπής σε μη εξουσιοδοτημένα άτομα. Το χτύπημα από σπασμένο σύρμα μπορεί να προκαλέσει σοβαρό τραυματισμό ή ακόμα και θάνατο.

Η κοπή πρέπει να σχεδιαστεί προσεκτικά πριν τη συναρμολόγηση του εργαλείου κοπής ώστε η εργασία να γίνει όσο πιο εύκολα γίνεται.

- Το πριόνι μπορεί να είναι αναρτημένο στον τοίχο ενώ ταυτόχρονα στέκεται στο έδαφος.
- Το πριόνι μπορεί να συναρμολογηθεί σε μια δεξιά ή αριστερή θέση. Αυτό είναι ιδιαίτερα χρήσιμο όταν θέλετε να πραγματοποιήσετε εργασίες κοπής κοντά σε γωνίες.

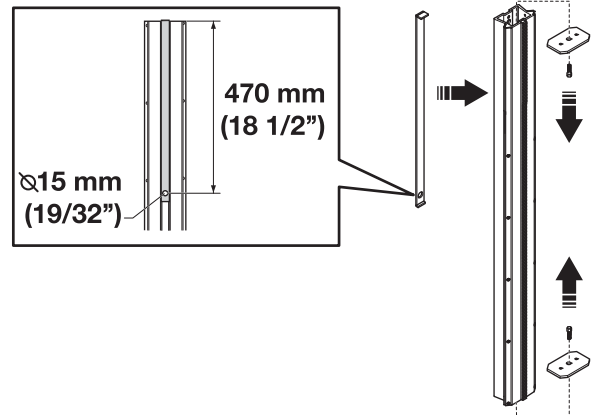


- Μπορεί να χρειαστεί να ανοίξετε τρύπες για να περάσετε το σύρμα μέσα από το υλικό που θέλετε να κόψετε.

Εφαρμόστε την υφιστάμενη ράγα

Όταν χρησιμοποιείται με μια υφιστάμενη ράγα, χρειάζονται ορισμένες προσαρμογές.

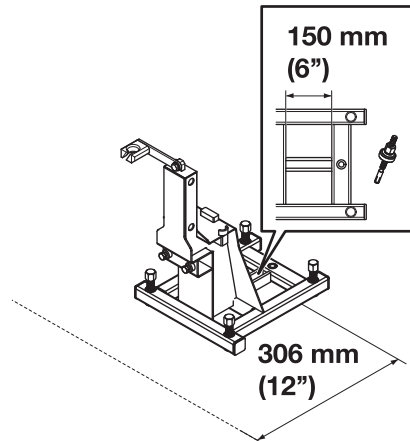
- Αφαιρέστε τα τελικά διαφράγματα.



- Διανοίξτε μία οπή 15 mm (19/32"), σε απόσταση 470 mm (18 1/2") από το πάνω άκρο της ράγας. Χρησιμοποιήστε την παρεχόμενη διάταξη στερέωσης τρυπανιού. Ε οπή είναι απαραίτητη κατά τη συναρμολόγηση της άνω διάταξης περιέλιξης.

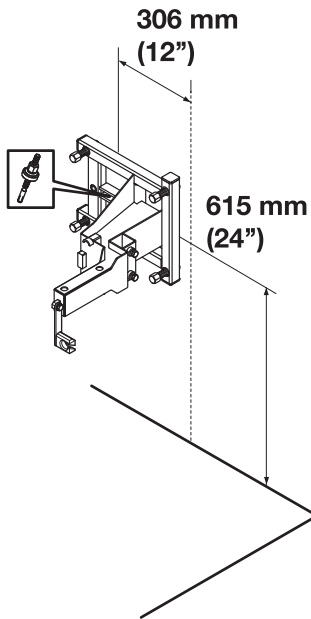
Ασφαλίστε το πέδιλο

- Τοποθετήστε το εργαλείο κοπής στεν κατάλληλε θέσε μπροστά από το σημείο στο οποίο θα γίνει η κοπή.
- Ασφαλίστε το πριόνι με ένα μπουλόνι αγκύστρωσης.
- Η απόσταση μεταξύ της γραμμής κοπής και του μπουλονιού είναι 306 mm.



ΣΥΝΑΡΜΟΛΟΓΗΣΗ ΚΑΙ ΡΥΘΜΙΣΕΙΣ

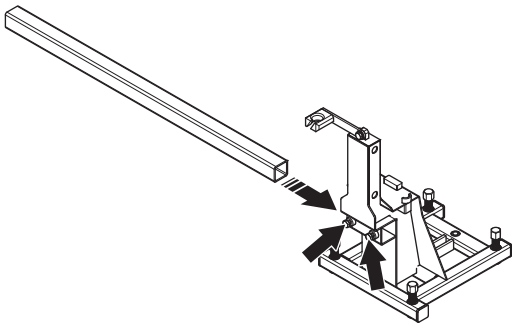
- Κατά την κάθετη κοπή με το πριόνι αναρτημένο στον τοίχο, η μικρότερη απόσταση μεταξύ του εδάφους και του μπουλονιού είναι 615 mm.



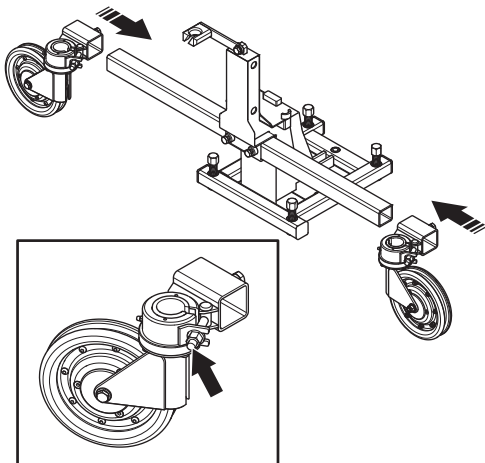
- Αφού αγκυρωθεί το πέδιλο, βιδώστε το πέλημα προσαρμογής ώστε το μηχάνημα να στέκεται καλά.

Συναρμολόγηση του πριονιού

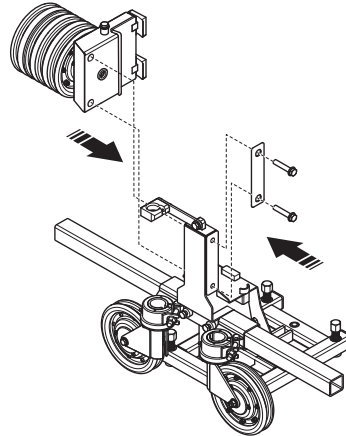
- Τοποθετήστε τη δοκό στο πέδιλο.



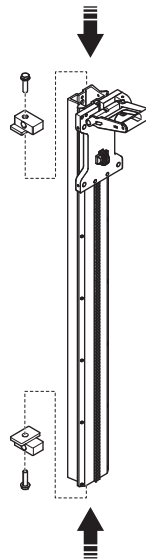
- Τοποθετήστε τις περιστρεφόμενες τροχαλίες στη δοκό. Οι περιστρεφόμενες τροχαλίες μπορούν να ρυθμιστούν σε μία σταθερή θέση σφίγγοντας το παξιμάδι.



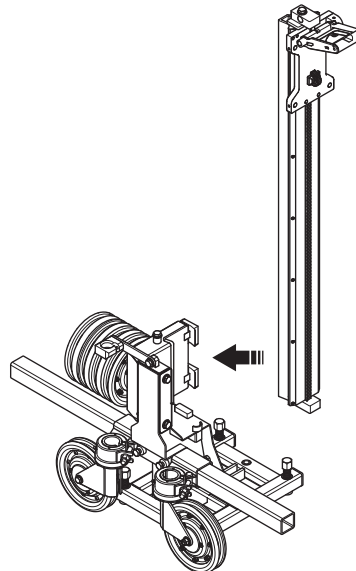
- Τοποθετήστε τη νέα διάταξη περιέλιξης στην πλάκα βάσης. Μπορεί να τοποθετηθεί τόσο στην αριστερή όσο και στη δεξιά πλευρά.



- Τοποθετήστε τα μπράτσα για το κάλυμμα της διατάξης περιέλιξης στη ράγα.

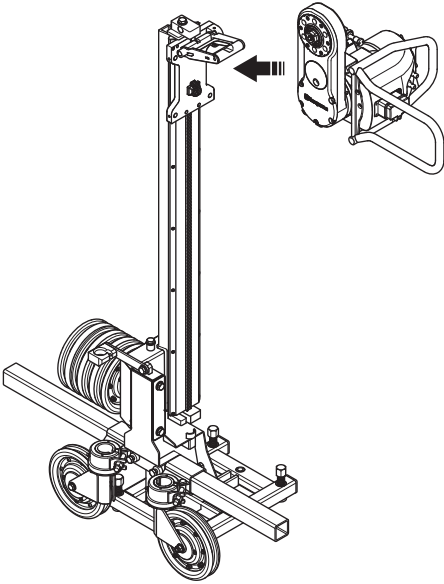


- Στερεώστε τη ράγα στην έδραση της κάτω διάταξης περιέλιξης. Η οπή που έχει ανοιχτεί για την τοποθέτηση της άνω διάταξης περιέλιξης πρέπει να βλέπει προς τα πάνω.



ΣΥΝΑΡΜΟΛΟΓΗΣΗ ΚΑΙ ΡΥΘΜΙΣΕΙΣ

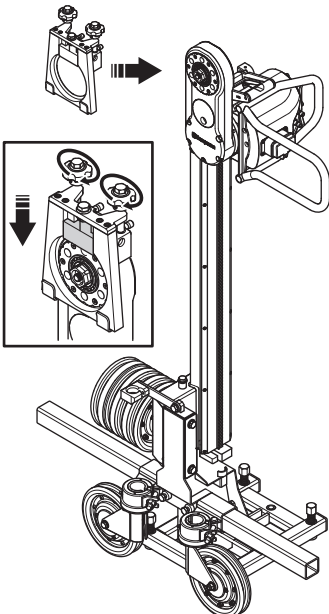
- Τοποθετήστε το μοτέρ πριονιού στον φορέα του πριονιού.



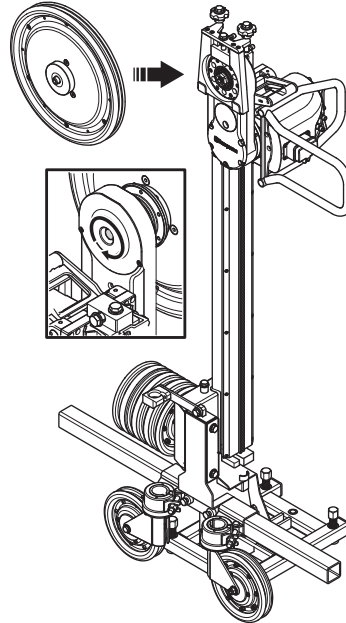
ΠΡΟΕΙΔΟΠΟΙΗΣΗ! Ο βραχίονας κοπής θα πρέπει πάντα να στοχεύει στην ίδια κατεύθυνση με την τροχιά. Η λειτουργία τροφοδοσίας θάτους δεν είναι δυνατό να χρησιμοποιείται κατά τη χρήση πριονιού με σύρμα. Η απροσεξία μπορεί να οδηγήσει σε σοβαρό τραυματισμό ή ακόμα και θάνατο.

ΣΗΜΕΙΩΣΗ! Βεβαιωθείτε ότι το πλαστικό κάλυμμα στο πριόνι στοχεύει προς τα επάνω εάν το πριόνι είναι αναρτημένο στον τοίχο, προκειμένου να εμποδίσετε τη συσσώρευση νερού και βρομιάς στο εσωτερικό του καλύμματος.

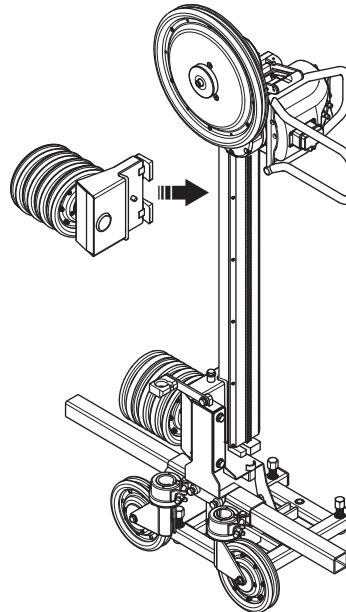
- Τοποθετήστε το μπράτσο προφυλακτήρα στο μοτέρ του πριονιού. Βιδώστε τα κουμπιά στερέωσης προς τα κάτω, για να κλειδώσετε το μπράτσο προφυλακτήρα.



- Τοποθετήστε τον τροχό οδήγησης επάνω στο μοτέρ του πριονιού. Σφίξτε την ασφαλιστική βίδα για να κλειδώσετε τον τροχό οδήγησης.



- Στερεώστε την άνω διάταξη περιέλιξης στη ράγα. Ευθυγραμμίστε τον πείρο στην έδραση της διάταξης περιέλιξης με την οπή στη ράγα.

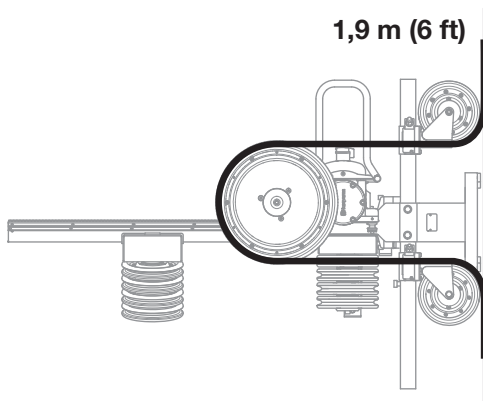


ΣΥΝΑΡΜΟΛΟΓΗΣΗ ΚΑΙ ΡΥΘΜΙΣΕΙΣ

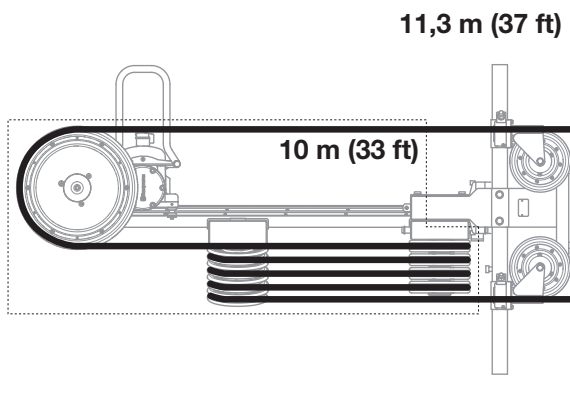
Περάστε το σύρμα

ΣΗΜΕΙΩΣΗ! Ένα χρησιμοποιημένο σύρμα πρέπει πάντα να περνά από την ίδια κατεύθυνση για να αποφευχθεί περιττή φθορά.

- Οδηγήστε τον φορέα του πριονιού όσο το δυνατό πιο κάτω.
- Τοποθετήστε το σύρμα γύρω από το σημείο εργασίας ή κατά περίπτωση μέσα από τις τρύπες που έχετε ανοίξει προηγουμένως και πίσω στο εργαλείο κοπής.
- Εάν έχετε περάσει το ελάχιστο σύρμα μέσα από το πρίονι, 1,9 μέτρα, απλώς τοποθετήστε το σύρμα επάνω από τον τροχό οδήγησης.



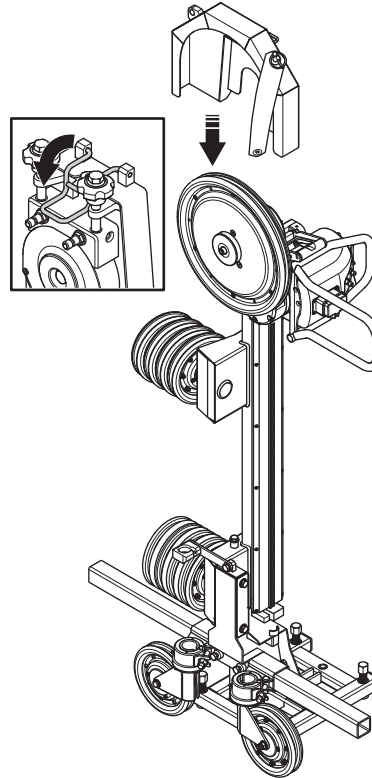
- Κατά τη διάρκεια της κοπής, περάστε το σύρμα μέσα από έναν κατάλληλο αριθμό ζευγών τροχών της διάταξης περιέλιξης. Το μέγιστο μήκος σύρματος για το πρίονι είναι 11,3 μέτρα και ε χωρητικότητα τες διάταξης περιέλιξης είναι 10 μέτρα.



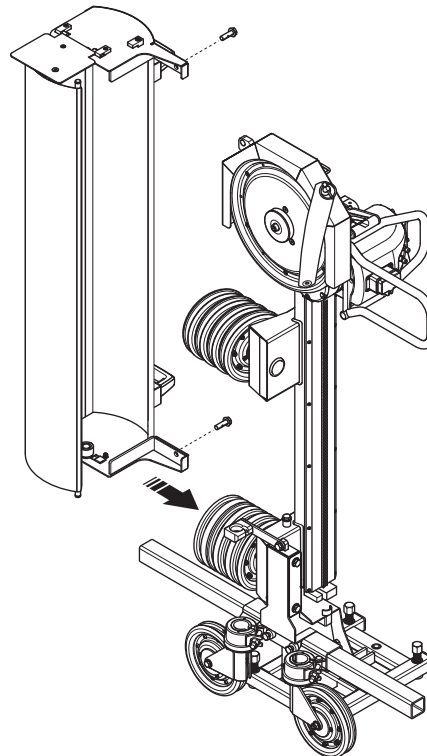
- Πριν συνδέσετε τους συνδέσμους του σύρματος, πρέπει να περιστρέψετε το σύρμα 1 έως 2 φορές ανά μέτρο σύρματος που θα χρησιμοποιήσετε. Είναι σημαντικό να περιστρέψετε το σύρμα προς την ίδια κατεύθυνση όπως η κλώση του. Έτσι επιτυγχάνεται όσο το δυνατό ομοιόμορφη φθορά στα στοιχεία διαμαντιού του σύρματος. Ένα κλειστό σύρμα δεν χρειάζεται διαχωρισμό πριν το περάσετε μέσα από το μηχάνημα.

Συναρμολογήστε τα προστατευτικά καλύμματα

- Περάστε τον προφυλακτήρα τροχού οδήγησης πάνω από το μπράτσο προφυλακτήρα. Ασφαλίστε τον προφυλακτήρα με τη βέργα σταθεροποίησης.

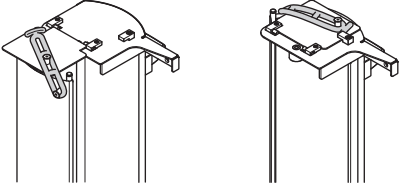


- Τοποθετήστε το κάλυμμα της διάταξης περιέλιξης στις εδράσεις.

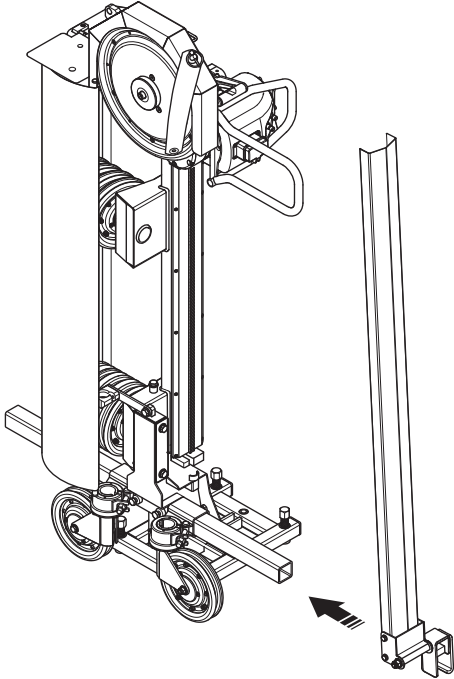


ΣΥΝΑΡΜΟΛΟΓΗΣΗ ΚΑΙ ΡΥΘΜΙΣΕΙΣ

- Το κάλυμμα της διάταξης περιέλιξης μπορεί να κλειδωθεί στην κλειστή και την ανοικτή θέση, με τη χρήση ενός ελαστικού ιμάντα.

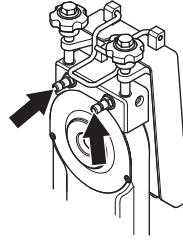


- Τοποθετήστε τον προφυλακτήρα σύρματος επάνω στη δοκό και μέσα από το μπράτσο επάνω στον προφυλακτήρα του τροχού οδήγησης.



Συνδέστε την υδατόψυξη

- Συνδέστε έναν ελαστικό σωλήνα νερού από το μοτέρ του πριονιού σε έναν από τους συνδέσμους επάνω στο μπράτσο του προφυλακτήρα.



- Το νερό δροσίζει το μπράτσο όπου πραγματοποιείται η εργασία κοπής.
- Από τον άλλο σύνδεσμο επάνω στο μπράτσο προφυλακτήρα μπορείτε να οδηγήσετε το νερό μέσω ενός σωλήνα νερού για να δροσίσετε το σύρμα.
- Τα μπεκ νερού τοποθετούνται σε συνέχεια στο σημείο από το οποίο το σύρμα εισέρχεται στο σκυρόδεμα. Με τον τρόπο αυτό το σύρμα παίρνει μαζί το νερό μέσα στο σημείο κοπής. Ε σκόνε σκυροδέματος συγκρατείται και το σύρμα ψύχεται επαρκώς.

ΣΗΜΕΙΩΣΗ! Για να επιτευχθεί κατάλληλη ψύξη του καλωδίου με νερό κατά την κοπή, είναι σημαντικό να προσαρμόσετε τη θέση του νερού ψύξης κατά την κοπή του υλικού. Να θυμάστε πάντα να σταματάτε το μηχάνημα κατά τη διαδικασία αυτή.

Συνδέστε τη μονάδα ισχύος

- Συμβουλευθείτε τις οδηγίες που περιέχονται στο εγχειρίδιο χρήσης για το συγκεκριμένο μοτέρ κινητήρα και τη συγκεκριμένη μονάδα τροφοδοσίας.

Προστατευτικός εξοπλισμός

Γενικά

Μην χρησιμοποιείτε το μηχάνημα παρά μόνο εφόσον έχετε τη δυνατότητα να καλέσετε βοήθεια σε περίπτωση ατυχήματος.

Ατομικός προστατευτικός εξοπλισμός

Σε οποιαδήποτε χρήση του μηχανήματος πρέπει να χρησιμοποιείτε εγκεκριμένο ατομικό προστατευτικό εξοπλισμό. Ο ατομικός προστατευτικός εξοπλισμός δεν εξουδετερώνει τον κίνδυνο τραυματισμού, παρά μειώνει τα αποτελέσματα ενός τραύματος σε περίπτωση ατυχήματος. Ζητήστε από τον έμπορο να σας βοηθήσει στην εκλογή προστατευτικού εξοπλισμού.



ΠΡΟΕΙΔΟΠΟΙΗΣΗ! Η χρήση προϊόντων που κόβουν, τροχίζουν, τρυπούν, λειαίνουν ή διαμορφώνουν υλικά μπορεί να παράγουν σκόνη και υδρατμούς που ενδέχεται να περιέχουν επιβλαβή χημικά. Γνωρίστε τις ιδιότητες του υλικού το οποίο επεξεργάζεστε και χρησιμοποιήστε κατάλληλες αναπνευστικές μάσκες.



ΠΡΟΕΙΔΟΠΟΙΗΣΗ! Η μακρόχρονη έκθεση σε θόρυβο μπορεί να προκαλέσει μόνιμη βλάβη στην ακοή. Θα πρέπει πάντα να λαμβάνετε μέτρα προστασίας της ακοής σας. Όταν φοράτε ωτασπίδες έχετε το νου σας ώστε να ακούσετε τυχόν προειδοποιητικά σήματα ή φωνές. Πάντα να βγάζετε τις ωτασπίδες μόλις σβήσει ο κινητήρας.



ΠΡΟΕΙΔΟΠΟΙΗΣΗ! Υπάρχει πάντοτε κίνδυνος σύνθλιψης κατά την εργασία με μηχανήματα που έχουν κινητά εξαρτήματα. Να χρησιμοποιείτε προστατευτικά γάντια για να αποφύγετε σωματικούς τραυματισμούς.

Χρησιμοποιείτε πάντοτε:

- Προστατευτικό κράνος
- Προστασία ακοής
- Προστατευτικά γυαλιά ή δικτυωτή μάσκα
- Αναπνευστική μάσκα
- Γερά γάντια με καλό κράτημα.
- Εφαρμοστή, ανθεκτική και άνετη επένδυση που επιτρέπει πλήρη ελευθερία κινήσεων.
- Αντιολισθητικές μπότες με χαλύβδινα ψίδια.

Να έχετε υπόψη σας ότι τα ρούχα, μακριά μαλλιά και κοσμήματα μπορεί να μπλεχτούν στα κινητά μέρη.

Άλλος εξοπλισμός προστασίας



ΠΡΟΕΙΔΟΠΟΙΗΣΗ! Ενώ εργάζεστε με το μηχάνημα, ενδέχεται να εμφανιστούν σπίθες και να ξεσπάσει φωτιά. Διατηρείτε πάντα έναν πυροσβεστήρα σε κοντινή απόσταση από τον τόπο εργασίας.

- Εξοπλισμός πυρόσβεσης
- Έχετε πάντοτε μαζί σας κιβώτιο πρώτων βοηθειών.

Γενικές οδηγίες ασφάλειας

Αυτή ενότητα περιγράφει τις βασικές κατευθύνσεις ασφαλείας για τη χρήση του μηχανήματος. Αυτές οι πληροφορίες δεν υποκαθιστούν σε καμία περίπτωση τις επαγγελματικές ικανότητες και την εμπειρία.

- Διαβάστε προσεκτικά τις Οδηγίες χρήσεως και κατανοήστε το περιεχόμενο πριν χρησιμοποιήσετε το μηχάνημα.
- Το μηχάνημα αυτό χρησιμοποιείται σε συνδυασμό με άλλα προϊόντα. Διαβάστε προσεκτικά το εγχειρίδιο που παρέχεται με τα προϊόντα και βεβαιωθείτε ότι κατανοείτε τις οδηγίες πριν χρησιμοποιήσετε το μηχάνημα.
- Λάβετε υπόψη ότι ο χειριστής είναι υπεύθυνος για ατυχήματα που συμβαίνουν σε ή για κινδύνους στους οποίους εκτίθενται άλλα άτομα ή οι ιδιοκτησίες αυτών.
- Όλοι οι χειριστές πρέπει να εκπαιδευτούν στη χρήση του μηχανήματος. Ο κάτοχος είναι υπεύθυνος για την εκπαίδευση των χειριστών.
- Το μηχάνημα θα πρέπει να διατηρείται καθαρό. Οποιαδήποτε επιγραφή και ετικέτα θα πρέπει να είναι πλήρως αναγνώσιμη.



ΠΡΟΕΙΔΟΠΟΙΗΣΗ! Το μηχάνημα μπορεί να γίνει επικίνδυνο. Η απρόσεκτη ή λανθασμένη χρήση μπορεί να έχει ως αποτέλεσμα σοβαρό ή θανάσιμο τραυματισμό του χειριστή ή άλλων ατόμων.

Ποτέ μην επιτρέπετε σε παιδιά ή άλλα μη εκπαιδευμένα σχετικά με τη χρήση του μηχανήματος άτομα να χρησιμοποιούν ή να πραγματοποιούν εργασίες συντήρησης σε αυτό. Μην επιτρέπετε σε κανέναν άλλον να χρησιμοποιήσει το μηχάνημα αν δεν έχετε βεβαιωθεί ότι γνωρίζει το περιεχόμενο των οδηγιών χρήσης.

Ποτέ μην δουλεύετε το πριόνι όταν είστε κουρασμένος, έχετε πει αλκοόλ ή παίρνετε φάρμακα που επηρεάζουν την όρασή σας, την κρίση σας ή τον έλεγχο του σώματός σας.

Πάντα υπάρχει κίνδυνος ηλεκτροπληξίας στα ηλεκτρικά μηχανήματα. Να αποφεύγετε αντίξοες καιρικές συνθήκες και σωματική επαφή με καλούς αγωγούς και μεταλλικά αντικείμενα. Να ακολουθείτε πάντα τις οδηγίες του εγχειριδίου χρήσης, έτσι ώστε να αποφύγετε τους τραυματισμούς.



ΠΡΟΕΙΔΟΠΟΙΗΣΗ! Οι μετατροπές ή/και τα εξαρτήματα που δεν φέρουν καμία εξουσιοδότηση μπορεί να προκαλέσουν σοβαρό τραυματισμό ή θάνατο στο χρήστε ή τρίτα πρόσωπα.

Μην κάνετε ποτέ μετατροπές σε αυτό το μηχάνημα έτσι ώστε να διαφέρει από την αρχική του έκδοση, και μην το χρησιμοποιήσετε αν φαίνεται να έχει υποστεί μετατροπές από τρίτους.

Μην χρησιμοποιείτε ποτέ το μηχάνημα εάν παρουσιάζει πρόβλημα. Εκτελείτε όλους τους ελέγχους ασφαλείας και τηρείτε τις οδηγίες συντήρησης και επισκευής που αναφέρονται στο παρόν εγχειρίδιο. Μερικά μέτρα συντήρησης και επισκευής πρέπει να εκτελούνται από εκπαιδευμένο και ειδικευμένο προσωπικό. Δείτε τις οδηγίες στην ενότητα με τίτλο Συντήρηση.

Χρησιμοποιείτε πάντοτε γνήσια ανταλλακτικά.

Χρησιμοποιείτε πάντοτε κοινή λογική

Δεν είναι δυνατό να καλυφθούν όλες οι περιπτώσεις που ενδέχεται να συναντήσετε. Να είστε πάντα προσεκτικοί και να χρησιμοποιείτε την κοινή λογική. Αν βρεθείτε σε συνθήκες που δεν αισθάνεστε ασφαλής, διακόψτε τη λειτουργία και αναζητήστε τη συμβουλή κάποιου ειδικού. Επικοινωνήστε με τον αντιπρόσωπο, τον υπεύθυνο σέρβις ή έναν πεπειραμένο χρήστε. Μην επιχειρήσετε να εκτελέσετε κάποια εργασία για την οποία δεν είστε βέβαιοι!

Ασφάλεια στο χώρο εργασίας



ΠΡΟΕΙΔΟΠΟΙΗΣΗ! Η απόσταση ασφαλείας από όλα τα κινούμενα μέρη είναι τουλάχιστον 1,5μ. Είστε υπεύθυνοι ώστε ζώα και θεατές να βρίσκονται εκτός της περιοχής εργασίας σας.

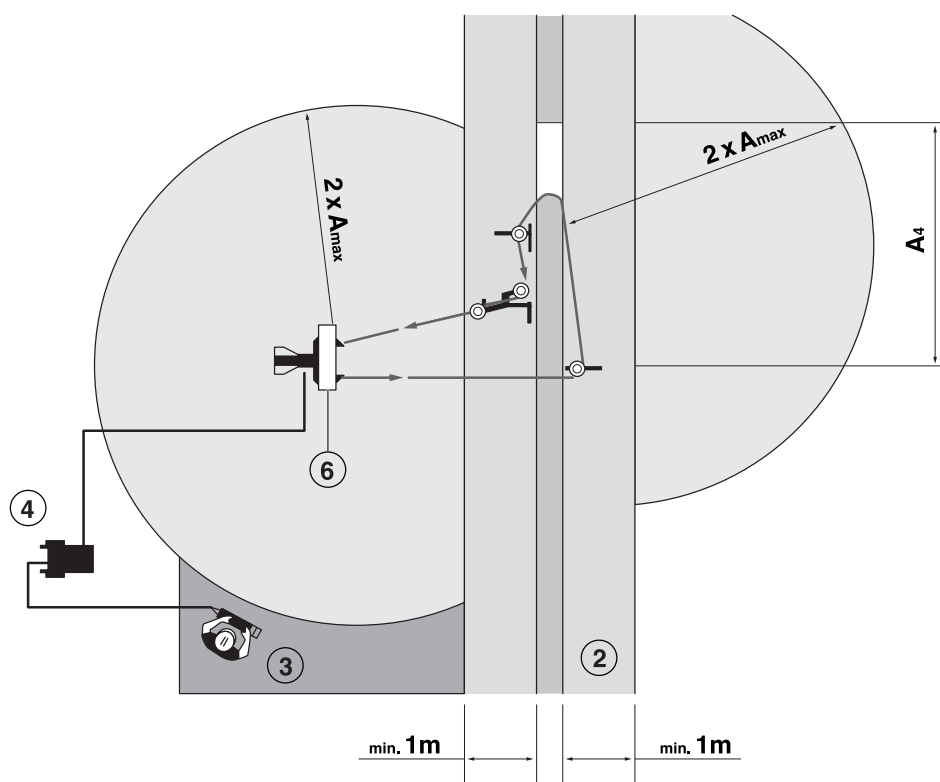
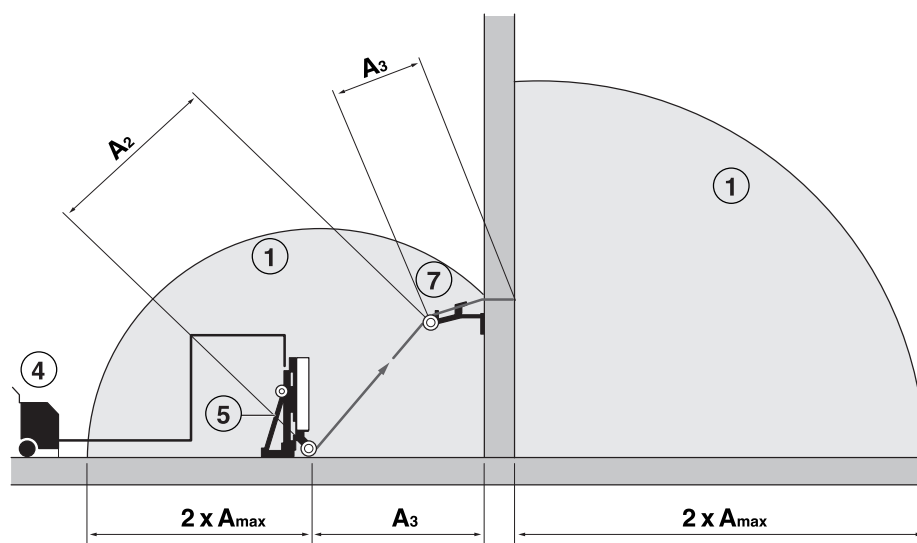
- Ελέγχετε τον περιβάλλοντα χώρο, ώστε να διασφαλίσετε ότι τίποτα δεν μπορεί να αποσπάσει την προσοχή σας και να σας αφαιρέσει τον έλεγχο του μηχανήματος. Ποτέ μην αφήνετε το μηχάνημα χωρίς επιτήρηση με τον κινητήρα σε λειτουργία.
- Αποφεύγετε χρήση όταν οι καιρικές συνθήκες είναι ακατάλληλες, όταν για παράδειγμα επικρατεί πυκνή ομίχλη, δυνατή βροχή, ισχυρός άνεμος, μεγάλη παγωνιά κλπ. Η εργασία με άσχημες καιρικές συνθήκες είναι κουραστική και συχνά επιφέρει πρόσθετους κινδύνους, όπως παγωμένο έδαφος.
- Βεβαιωθείτε ότι η περιοχή εργασίας είναι ικανοποιητικά φωτισμένη ώστε να δημιουργείται ασφαλής τόπος εργασίας.
- Ποτέ μην αρχίζετε τη δουλειά με το μηχανήμα, εάν ο τόπος εργασίας δεν είναι ελεύθερος και δεν έχετε εξασφαλίσει σταθερή στάση.
- Βεβαιωθείτε ότι κανένας αγωγός ή ηλεκτρικό καλώδιο δεν διασχίζει το χώρο εργασίας ή το υλικό με το οποίο εργάζεστε.
- Ελέγξτε ότι τα ηλεκτρικά καλώδια εντός της περιοχής εργασίας δεν έχουν ρεύμα.

ΛΕΙΤΟΥΡΓΙΑ

Η περιοχή κινδύνου της συσκευής

Κανείς δεν επιτρέπεται να βρίσκεται μέσα στην περιοχή κινδύνου της συσκευής όσο εκτελείται εργασία. Αυτό ισχύει και για το χειριστή.

Κόψιμο τοίχου

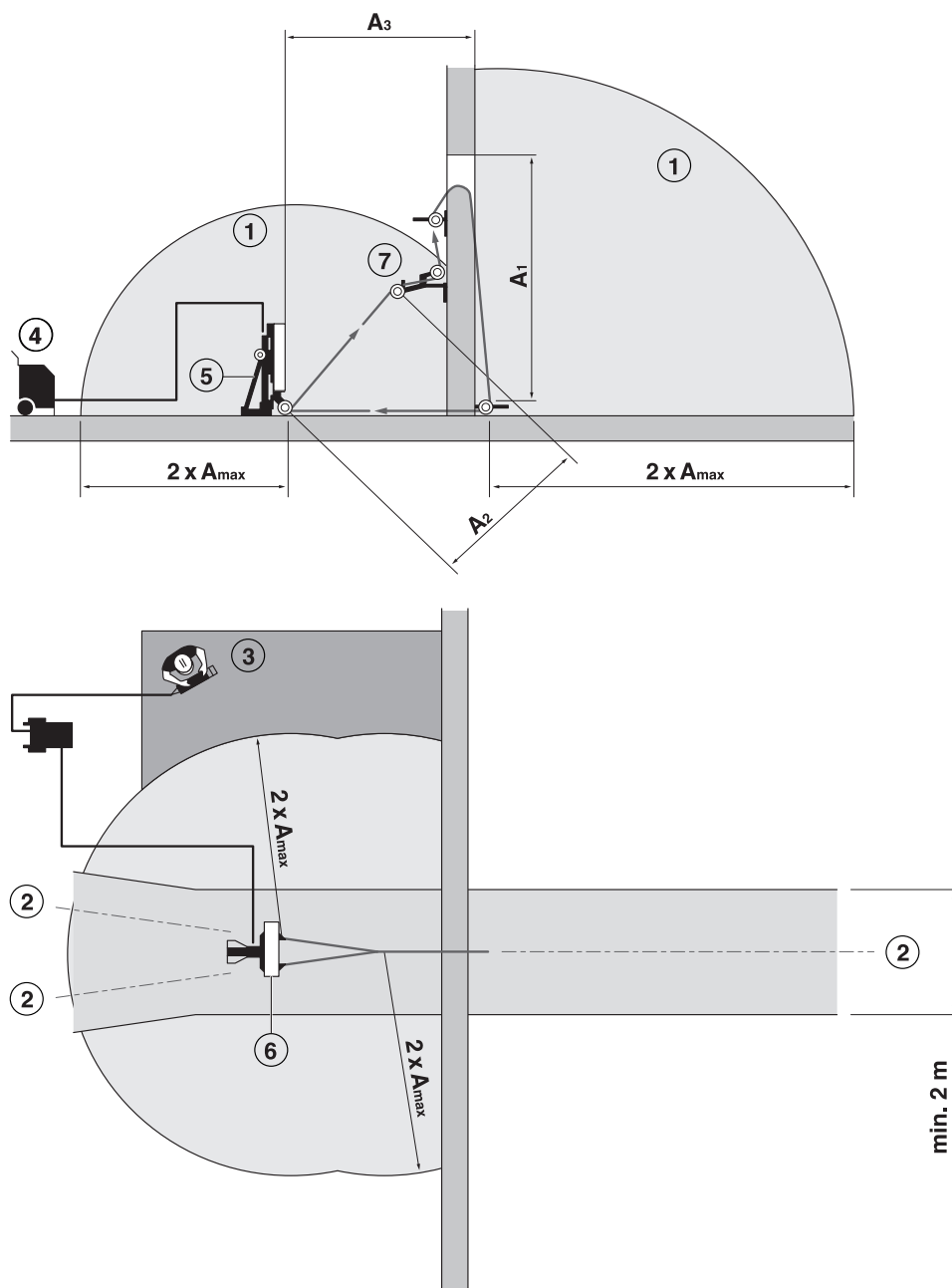


($A_{\text{μεγ}}$) Μεγαλύτερο τμήμα σύρματος ελεύθερης λειτουργίας (A_1 - A_4)

- 1 Περιοχή κινδύνου
- 2 Περιοχή κινδύνου της οριζόντιας προβολής του σύρματος προς το χειριστή.
- 3 Προτεινόμενη θέση χειριστή
- 4 Πηγή ισχύος
- 5 Μονάδα οδήγησης σύρματος
- 6 Προφυλακτήρας σύρματος
- 7 Τροχοί έντασης

ΛΕΙΤΟΥΡΓΙΑ

Κοπή με επιπλέον τροχαλίες

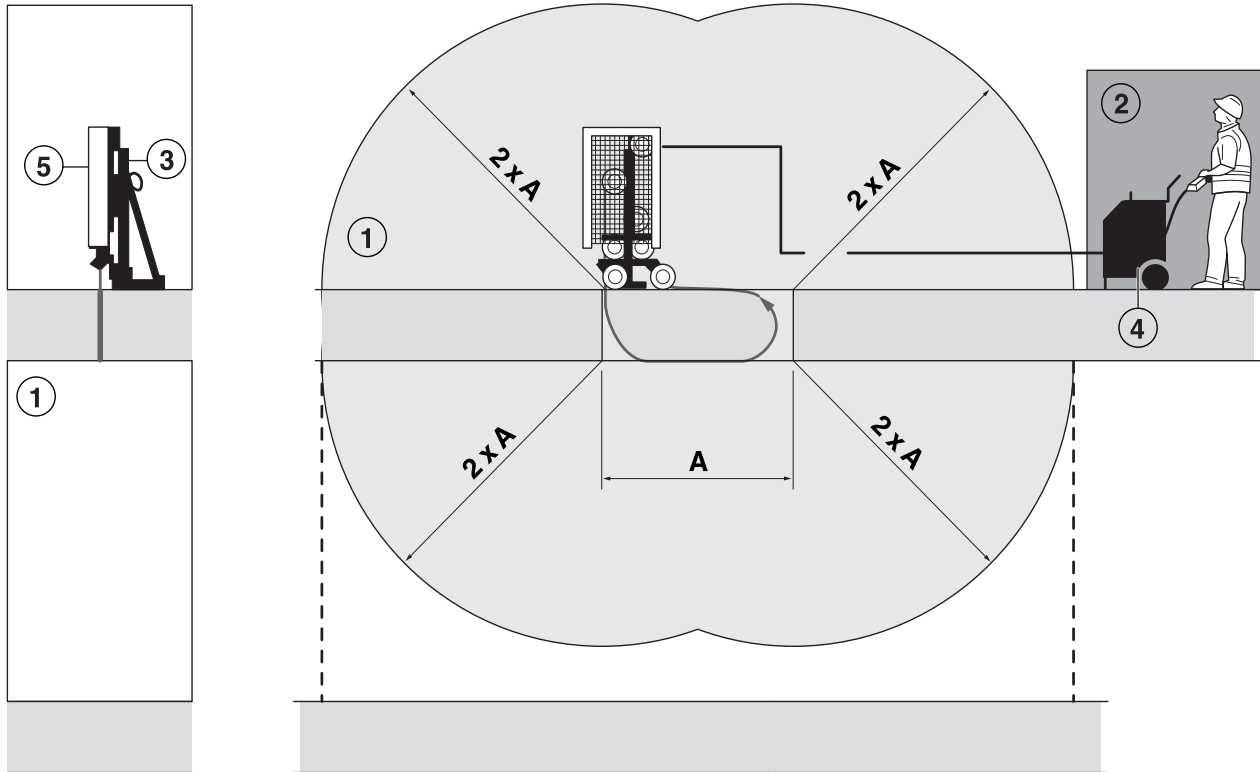


($A_{μεγ}$) Μεγαλύτερο τμήμα σύρματος ελεύθερης λειτουργίας (A_1 - A_3)

- 1 Περιοχή κινδύνου
- 2 Περιοχή κινδύνου της οριζόντιας προβολής του σύρματος προς το χειριστή.
- 3 Προτεινόμενη θέση χειριστή
- 4 Πηγή ισχύος
- 5 Μονάδα οδήγησης σύρματος
- 6 Προφυλακτήρας σύρματος
- 7 Τροχοί έντασης

ΛΕΙΤΟΥΡΓΙΑ

Κοπή δαπέδου



(A) Μεγαλύτερο τμήμα σύρματος ελεύθερης λειτουργίας

- 1 Περιοχή κινδύνου
- 2 Προτεινόμενη θέση χειριστή
- 3 Μονάδα οδήγησης σύρματος
- 4 Πηγή ισχύος
- 5 Προφυλακτήρας σύρματος

Βασικές τεχνικές εργασίας

- Αυτό το μηχάνημα προορίζεται για χρήση αποκλειστικά με τα Husqvarna WS 440 HF + PP 440 HF ή τα Husqvarna WS 482 HF + PP 480 HF. Απαγορεύεται κάθε άλλη χρήση.
- Το μηχάνημα είναι σχεδιασμένο και προορίζεται για κοπή σκυροδέματος, τούβλου και διαφορετικών υλικών πέτρας. Δεν ενδείκνυται κάθε άλλη χρήση.
- Το μηχάνημα προορίζεται για χρήση σε βιομηχανικές εφαρμογές από έμπειρους χειριστές.
- Ποτέ μην δουλεύετε το πριόνι όταν είστε κουρασμένος, έχετε πιει αλκοόλ ή παίρνετε φάρμακα που επηρεάζουν την όρασή σας, την κρίση σας ή τον έλεγχο του σώματός σας.
- Διατηρήστε όλα τα εξαρτήματα σε εύρυθμη κατάσταση και φροντίστε να είναι καλά σφιγμένα όλα τα αγκύρια.
- Βεβαιωθείτε ότι οι προφυλακτήρες είναι σωστά συναρμολογημένοι και δεν φέρουν καμία ένδειξη ζημιάς. Μην προβαίνετε ποτέ σε κοπή χωρίς τη χρήση του προστατευτικού.
- Χρησιμοποιείτε μόνο το σύρμα που συνιστά ο κατασκευαστής. Ζητήστε τη βοήθεια του εξουσιοδοτημένου αντιπροσώπου στην περιοχή σας, για να επιλέξετε το σωστό προϊόν.
- Μην χρησιμοποιείτε ποτέ φθαρμένο ή κατεστραμμένο σύρμα.
- Ένα χρησιμοποιημένο σύρμα πρέπει πάντα να περνά από την ίδια κατεύθυνση για να αποφευχθεί περιττή φθορά.
- Μην προβαίνετε ποτέ σε κοπή χωρίς τη χρήση νερού ψύξης. Σύρμα που δεν έχει ψυχθεί επαρκώς μπορεί να προκαλέσει υπερθέρμανση των τμημάτων, με αποτέλεσμα μεγαλύτερη φθορά. Στη χειρότερη περίπτωση, μπορεί να ελευθερωθούν τμήματα από το σύρμα και να τραυματίσουν άτομα που βρίσκονται κοντά στο εργαλείο κοπής.
- Σημειώστε καθαρά όλες τις κοπές που θα γίνουν πριν ξεκινήσετε το κόψιμο, σχεδιάστε τις ώστε να πραγματοποιηθούν χωρίς κίνδυνο σε ανθρώπους ή στο μηχάνημα.
- Ασφαλίστε ή αγκυρώστε καλά τα τμήματα του σκυροδέματος πριν από το κόψιμο. Το μεγάλο βάρος του υλικού κοπής μπορεί να προκαλέσει εκτεταμένες ζημιές στο μηχάνημα και σοβαρό προσωπικό τραυματισμό εάν η μετακίνησή του δεν είναι δυνατή υπό ελεγχόμενες συνθήκες.
- Μην αφήνετε ποτέ το μηχάνημα χωρίς επίβλεψη όταν ο κινητήρας λειτουργεί.
- Μην κόβετε ποτέ με τέτοιο τρόπο που να μην έχετε εύκολη πρόσβαση στο κουμπί έκτακτης ανάγκης στο τηλεχειριστήριο ή στη μονάδα ισχύος. Ανατρέξτε στο εγχειρίδιο της μονάδας ισχύος.
- Προσέχετε κατά την ανύψωση. Χειρίζεστε βαριά εξαρτήματα, τα οποία κρύβουν κινδύνους μαγκώματος ή άλλων τραυματισμών.

Μεταφορά και αποθήκευση

- Προτού μετακινήσετε τον εξοπλισμό πάντα να θέτετε τη μονάδα ισχύος εκτός λειτουργίας και να αποσυνδέετε το ηλεκτρικό καλώδιο.
- Ασφαλίστε τον εξοπλισμό κατά τη διάρκεια οποιασδήποτε μεταφοράς, ώστε να αποφύγετε τυχόν βλάβες και ατυχήματα.
- Να αποθηκεύετε τον εξοπλισμό σε κλειδωμένο χώρο, ώστε να μην είναι προσβάσιμος σε παιδιά και μη εξουσιοδοτημένα άτομα.

ΞΕΚΙΝΗΜΑ ΚΑΙ ΣΤΑΜΑΤΗΜΑ

Προτού ξεκινήσετε



ΠΡΟΕΙΔΟΠΟΙΗΣΗ! Το μηχάνημα απαιτεί λογισμικό για την εγκατάσταση του συστήματος κοπής με σύρμα στο τηλεχειριστήριο και τη μονάδα τροφοδοσίας. Ο εξοπλισμός που δεν διαθέτει αυτό το λογισμικό θα πρέπει να υποβληθεί σε ένα εξουσιοδοτημένο κατάστημα σέρβις για αναβάθμιση. Το μηχάνημα δεν θα πρέπει να χρησιμοποιηθεί μέχρι να εγκατασταθεί νέο λογισμικό.

Διαβάστε προσεκτικά τις Οδηγίες χρήσεως και κατανοήστε το περιεχόμενο πριν χρησιμοποιήσετε το μηχάνημα.

Το μηχάνημα αυτό χρησιμοποιείται σε συνδυασμό με άλλα προϊόντα. Διαβάστε προσεκτικά το εγχειρίδιο που παρέχεται με τα προϊόντα και βεβαιωθείτε ότι κατανοείτε τις οδηγίες πριν χρησιμοποιήσετε το μηχάνημα.

Χρησιμοποιείτε ατομικό προστατευτικό εξοπλισμό. Βλ. τις οδηγίες στο κεφάλαιο "Ατομικός προστατευτικός εξοπλισμός"

Βεβαιωθείτε ότι δεν υπάρχουν άσχετα πρόσωπα στην περιοχή εργασίας, διαφορετικά υπάρχει κίνδυνος σοβαρών τραυματισμών.

- Βεβαιωθείτε ότι το μηχάνημα είναι σωστά συναρμολογημένο και δεν φέρει καμία ένδειξη ζημιάς. Συμβουλευθείτε τις οδηγίες που παρατίθενται στην ενότητα "Συναρμολόγηση και προσαρμογές".
- Εκτελείτε ημερήσια συντήρηση. Ανατρέξτε στις οδηγίες της ενότητας με τίτλο "Συντήρηση".

Εκκίνηση

- Ακολουθήστε τις οδηγίες για την έναρξη στο εγχειρίδιο που συνοδεύει τη μονάδα ισχύος.

Προσθήκη στις οδηγίες εκκίνησης για την κοπή με σύρμα

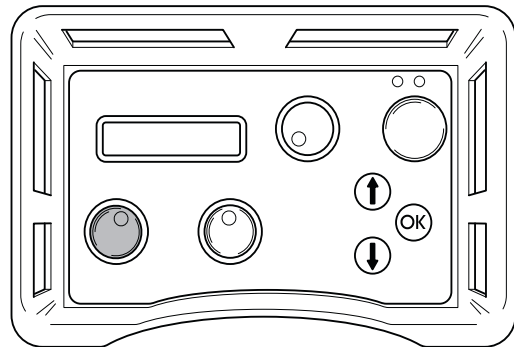
- **WS 482 HF:** Η οθόνη του τηλεχειριστηρίου εμφανίζει την ένδειξη "ΕΠΙΛΟΓΗ ΤΑΧΥΤΗΤΑΣ". Επιλέξτε "Gear 2". Επιβεβαιώστε με το "OK".
- Μεταβείτε στην επιλογή "DRIVING MODE" (Τρόπος λειτουργίας οδήγησης) στο μενού λειτουργίας, πραγματοποιώντας πλοήγηση με τα πλήκτρα βέλους.
- Επιλέξτε "Wire" (Σύρμα). Επιβεβαιώστε με το "OK".

Ευθυγραμμίστε τον βραχίονα κοπής



ΠΡΟΕΙΔΟΠΟΙΗΣΗ! Όταν ο βραχίονας κοπής είναι ευθυγραμμισμένος με τη ράγα, το στοιχείο τροφοδοσίας βάθους δεν πρέπει πλέον να χρησιμοποιείται. Η απροσεξία μπορεί να οδηγήσει σε σοβαρό τραυματισμό ή ακόμα και θάνατο.

- Πριν ξεκινήσετε την κοπή, πρέπει να τοποθετήσετε τον βραχίονα κοπής κατά τρόπο ώστε να ευθυγραμμίζεται με τη ράγα. Αυτό επιτυγχάνεται με το στοιχείο ελέγχου της τροφοδοσίας βάθους. Όταν ο βραχίονας κοπής είναι ευθυγραμμισμένος με τη ράγα, το στοιχείο τροφοδοσίας βάθους δεν πρέπει πλέον να χρησιμοποιείται.



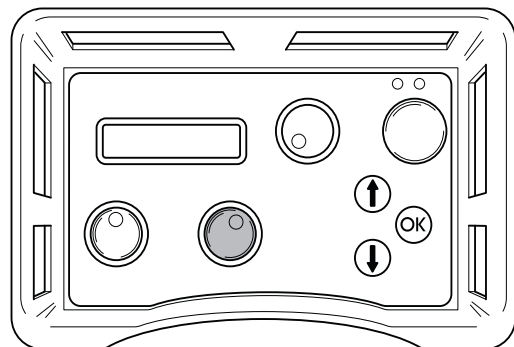
Κατά τη λειτουργία, ο έλεγχος τροφοδοσίας βάθους απενεργοποιείται.

Τεντώστε το σύρμα



ΠΡΟΕΙΔΟΠΟΙΗΣΗ! Μην τεντώνετε υπερβολικά το σύρμα! Ένα υπερβολικά τεντωμένο σύρμα θα εμποδίσει την περιστροφή και ενδέχεται να καταλήξει σε θραύση του σύρματος. Η απροσεξία μπορεί να οδηγήσει σε σοβαρό τραυματισμό ή ακόμα και θάνατο.

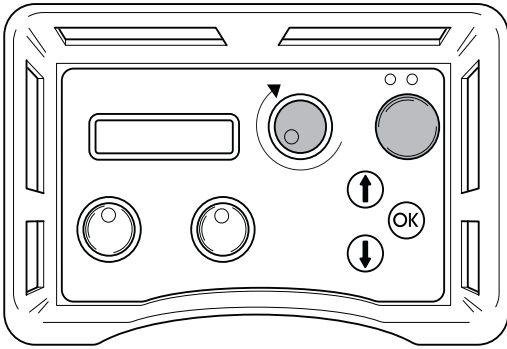
- Βεβαιωθείτε ότι το σύρμα έχει σωστή έδραση σε όλους τους τροχούς.
- Τεντώστε το σύρμα απέναντι από τη γραμμή κοπής, στρέφοντας το στοιχείο ελέγχου τροφοδοσίας μήκους. Το σύρμα θα πρέπει να στέκεται απέναντι από όλους τους τροχούς και απέναντι από το αντικείμενο κοπής.



ΞΕΚΙΝΗΜΑ ΚΑΙ ΣΤΑΜΑΤΗΜΑ

Ξεκινήστε την περιστροφή

- Κρατήστε πατημένο το πράσινο κουμπί ενώ στρέφεται το στοιχείο ελέγχου περιστροφής δεξιόστροφα, για να ξεκινήσετε την περιστροφή. Στρέψτε απαλά το στοιχείο ελέγχου. Ξεκινήστε με χαμηλή ταχύτητα περιστροφής.
- Ελέγξτε ότι η περιστροφή γίνεται κατά την επιθυμητή διεύθυνση/ Κάτω από τον τίτλο BLADE ROTATION (Περαιστροφή λεπίδας) στο μενού λειτουργιών, η περιστροφή μπορεί να ρυθμιστεί στην επιθυμητή κατεύθυνση.



Εάν ο τροχός εκκίνησης δεν μπορεί να εκκινήσει την περιστροφή του σύρματος, μπορεί να ευθύνεται ένας από τους ακόλουθους παράγοντες:

- Το σύρμα είναι υπερβολικά τεντωμένο. Χαλαρώστε το σύρμα.
- Οι τροχοί οδήγησης δεν έχουν ρυθμιστεί σωστά. Ρυθμίστε τους τροχούς οδήγησης.
- Η επιφάνεια επαφής έναντι του αντικείμενου κοπής είναι υπερβολικά μεγάλη. Προσθέστε μια τροχαλία.

Διαδικασία εργασίας



ΠΡΟΕΙΔΟΠΟΙΗΣΗ! Μην κόβετε συνεχώς με τη μέγιστη ισχύ (100%)! Κάτι τέτοιο θα μπορούσε να τεντώσει υπερβολικά το σύρμα, προκαλώντας τη θραύση του. Η απροσεξία μπορεί να οδηγήσει σε σοβαρό τραυματισμό ή ακόμα και θάνατο.

- Αφού αρχίσετε να κόβετε με το σύρμα, μπορείτε να αυξάνετε αργά και σταδιακά την ταχύτητα, μέχρι να πετύχετε το επιθυμητό επίπεδο. Δείτε στον πίνακα "Speed and wire speed" (Ταχύτητα και ταχύτητα σύρματος) την ενότητα "Technical data" (Τεχνικά στοιχεία).

- Στην οθόνη μπορείτε να ελέγξετε την παραγωγή ισχύος σε ποσοστό. Κατά τη διάρκεια της κοπής, η τιμή είναι γενικώς μεταξύ 50 και 100%.

Η παραγωγή ισχύος που χρησιμοποιείται για την κοπή εξαρτάται από παράγοντες όπως η μονάδα πριονιού που χρησιμοποιείται, το μέγεθος της επιφάνειας επαφής του σύρματος με το αντικείμενο κοπής, ο επιλεγμένος τύπος παραγωγής ισχύος κτλ.

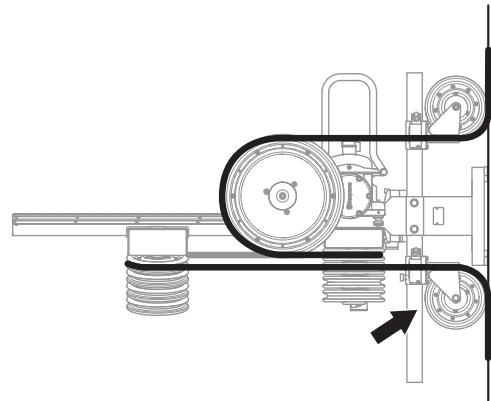
Να είστε προσεκτικοί και χρησιμοποιείστε, κατά προτίμηση, μια χαμηλότερη παραγωγή ισχύος, για να μειώσετε τον κίνδυνο θραύσης του σύρματος.

- Κρατήστε το σύρμα τεντωμένο ενώ κόβετε το υλικό.

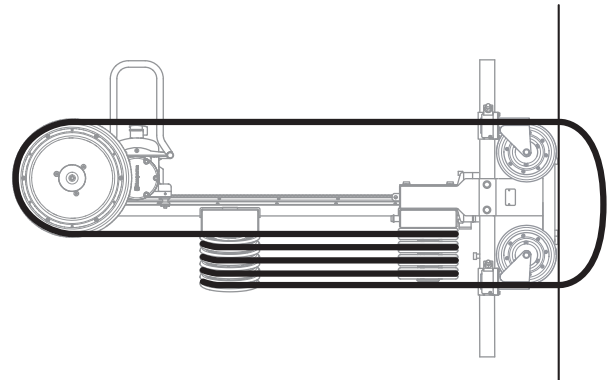
Αποθήκευση του σύρματος

Όταν η μονάδα του πριονιού έχει φτάσει στην τελική θέση της στη ράγα, το σύρμα θα πρέπει να αποθηκευθεί.

- Διακόψτε την περιστροφή.
- Κινήστε το πριόνι προς τη θέση εκκίνησης, στο μακρύτερο άκρο σε σχέση με την πλάκα βάσης.
- Τυλίξτε το σύρμα στους τροχούς της διάταξης περιέλιξης και προσαρμόστε τον τροχό οδήγησης όσο το δυνατό πιο κοντά στον εξερχόμενο τροχό οδήγησης.



- Όταν η κοπή ολοκληρωθεί, οι τροχοί οδήγησης θα πρέπει ρυθμιστούν με τέτοιο τρόπο, ώστε το σύρμα να μπορεί να πιαστεί μόλις διαπεράσει το αντικείμενο κοπής.



Σταμάτημα

- Στρέψτε τα στοιχεία ελέγχου περιστροφής και τροφοδοσίας μήκους στις μηδενικές τους θέσεις.
- Ακολουθήστε τις οδηγίες στο εγχειρίδιο που συνοδεύει τη μονάδα ισχύος.

Γενικά



ΠΡΟΕΙΔΟΠΟΙΗΣΗ! Ο χρήστης επιτρέπεται να κάνει μόνο όσες εργασίες επισκευής και συντήρησης περιγράφονται σε αυτό το εγχειρίδιο χρήσης. Περαιτέρω εργασίες πρέπει να εκτελούνται μόνο από εξουσιοδοτημένο συνεργείο επισκευών.

Απενεργοποιείτε το μηχάνημα και αποσυνδέετε το θύσμα ρεύματος.

Χρησιμοποιείτε ατομικό προστατευτικό εξοπλισμό. Βλ. τις οδηγίες στο κεφάλαιο "Ατομικός προστατευτικός εξοπλισμός"

Η διάρκεια ζωής της μηχανής μπορεί να μειωθεί ενώ και ο κίνδυνος για ατυχήματα είναι μεγαλύτερος στην περίπτωση που δεν πραγματοποιείται η σωστή συντήρηση της μηχανής καθώς και εάν η επισκευή δε γίνεται με επαγγελματικό τρόπο. Εάν θέλετε περισσότερες πληροφορίες, επικοινωνήστε με το πλησιέστερο συνεργείο.

Καθημερινή φροντίδα

- Βεβαιωθείτε ότι ο εξοπλισμός ασφαλείας του μηχανήματος δεν έχει υποστεί οποιαδήποτε βλάβη. Συμβουλευθείτε τις οδηγίες που παρατίθενται στην ενότητα "Εξοπλισμός ασφαλείας του μηχανήματος".
- Καθαρίστε εξωτερικά το μηχάνημα. Μην χρησιμοποιείτε δακτύλιο υψηλής πίεσης, για να καθαρίσετε τον κόπτη.
- Βεβαιωθείτε ότι το λάστιχο των τροχών οδήγησης βρίσκεται στη θέση του και δεν έχει υποστεί φθορές.
- Ελέγξτε τα έδρανα. Περιστρέψτε τους τροχούς με το χέρι και βεβαιωθείτε ότι μπορούν να περιστραφούν χωρίς προβλήματα.

Σέρβις

Επιπλέον της καθημερινής συντήρησης, όπως καθαρισμός και λίπανση, το μηχάνημα πρέπει να υποβάλεται σε σέρβις. Μετά από 50 ώρες κοπής, το μηχάνημα πρέπει να υποβάλεται σε σέρβις σε εργαστήριο πιστοποιημένο από τη Husqvarna. Στη συνέχεια, πρέπει να πραγματοποιείται σέρβις κάθε 100 ώρες λειτουργίας. Το σέρβις είναι σημαντικό προκειμένου ως χρήστης να έχετε ένα μηχάνημα που δουλεύει αποτελεσματικά για όσο το δυνατόν μεγαλύτερο χρονικό διάστημα.

ΤΕΧΝΙΚΑ ΣΤΟΙΧΕΙΑ

Τεχνικά στοιχεία

Ισχύς - μέγιστη, kW/hp

WS 440 HF	13/17.5
WS 482 HF	19/25.6

Ταχύτητα, σ.α.λ

0-1200

Ροπή εκκίνησης, Nm

WS 440 HF	100
WS 482 HF (Gear 2)	160

Ισχύς διάταξης περιέλιξης, m/ft

10/33

Μήκος σύρματος, m/ft

1,9-11,3 / 6-37

Βάρος, kg/lbs

WS 440 HF	135/298
WS 482 HF	138 / 304

Φορά περιστροφής

Και οι δύο κατευθ.

Βαθμός προστασίας

IP 65

Ταχύτητα σύρματος (στις 1.200 σ.α.λ.), m/s / ft/s

24/79

Εκπομπές θορύβου (βλ.σεμ. 1)

Μετρημένη ηχητική στάθμη σε dB(A)	99
Εγγυημένη ηχητική στάθμη L _{WA} dB(A)	100

Στάθμες θορύβου (βλ. σεμ. 2)

Ισοδύναμη εχθετική πίεση στο αυτί του χειριστή, dB(A) 86

Σημείωση 1: Οι εκπομπές θορύβου στο περιβάλλον ελέγχονται ως εχθετική ισχύς (LWA) σύμφωνα με το πρότυπο EN 15027/A1.

Σημείωση 2: Επίπεδο θορύβου σύμφωνα με το πρότυπο EN 15027/A1. Τα καταγεγραμμένα στοιχεία για τη στάθμη πίεσης θορύβου έχουν μία τυπική στατιστική διασπορά (τυπική απόκλιση) της τάξης του 1.0 dB(A).

Ταχύτητα και ταχύτητα σύρματος

Στροφές άξονα, σ.α.λ	Ταχύτητα σύρματος, m/s	Ταχύτητα σύρματος, ft/s
1000	20	66
1100	22	72
1200	24	79

Συνιστώμενο σύρμα διαμαντιού

Μοντέλο	Υλικά λείανσης	Ασβεστούχο τσιμεντοκονίαμα	Βαθμός οπλισμού		
			Χαμηλός	Μέτριο	Υψηλός
C 710	-	-	Καλός	Βέλτιστος	Καλός
C 760	Αποδεκτός	Καλός	Βέλτιστος	Καλός	Αποδεκτός
C 1000	Καλός	Καλός	Καλός	Βέλτιστος	Καλός
C 1200	Καλός	Αποδεκτός	Αποδεκτός	Καλός	Βέλτιστος

ΔΗΛΩΣΗ ΣΥΜΜΟΡΦΩΣΗΣ ΕΚ

ΕΚ–Βεβαίωση συμφωνίας

Η **Husqvarna AB**, SE-561 82 Huskvarna, Σουηδία, τηλ.: +46-36-146500, πιστοποιεί υπ' ευθύνη της ότι το **Husqvarna CS 10**, με αριθμούς σειράς έτους κατασκευής το 2010 και εφεξής (το έτος αναγράφεται ρητά στην πινακίδα κατασκευαστή, μαζί με τον αριθμό σειράς), πληροί τις προδιαγραφές της ΚΟΙΝΟΤΙΚΗΣ ΟΔΗΓΙΑΣ:

- μη ημερομηνία 17 Μαΐου 2006 "σχητικά μη τα μηχανήματα" **2006/42/ΕΚ**.
- της 15ης Δεκεμβρίου 2004 "σχετικά με ηλεκτρομαγνητική συμβατότητα" **2004/108/ΕΚ**.
- με εμερομενία 12 Δεκεμβρίου 2006 "σχετικά με τον ηλεκτρικό εξοπλισμό" **2006/95/ΕΚ**.
- της 8ης Ιουνίου 2011 "αναφορικά με τον περιορισμό συγκεκριμένων επικίνδυνων ουσιών" **2011/65/EU**

Εφαρμόστηκαν τα εξής πρότυπα: EN ISO 12100:2010, EN 55014-1:2006, EN 55014-2/A1:2001, EN 61000-3-11:2000, EN 15027/A1:2009.

Göteborg 12 Απριλίου 2015



Helena Grubb

Αντιπρόεδρος, Κατασκευαστικός εξοπλισμός

(Εξουσιοδοτημένος αντιπρόσωπος της Husqvarna AB και υπεύθυνος για την τεχνική τεκμηρίωση.)

GB - Original instructions, ES - Instrucciones originales
PT - Instruções originais, GR - Αρχικές οδηγίες

1157649-30



2022-06-21 rev3