

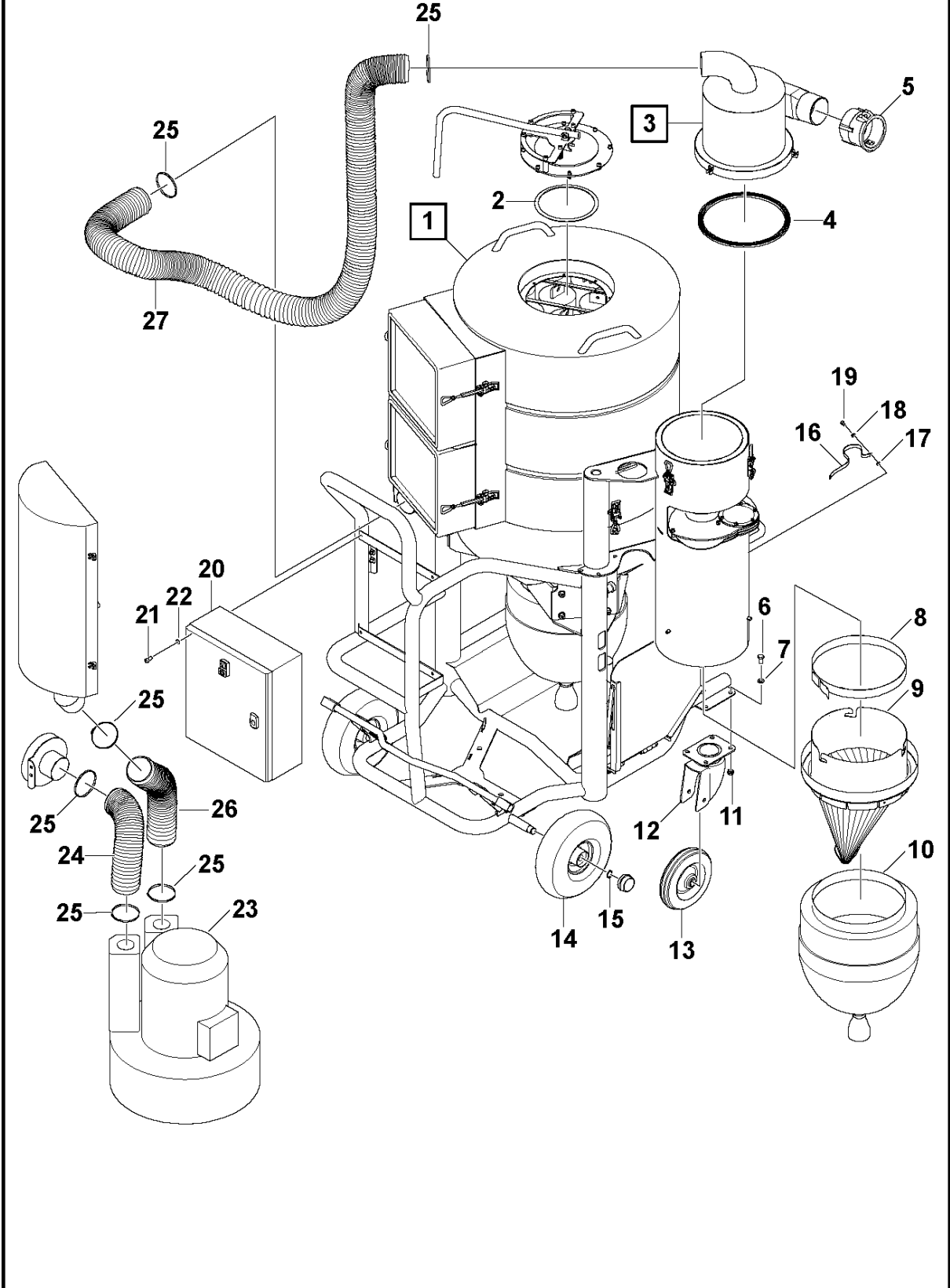


SPARE PARTS LIST

DUST AND SLURRY MANAGEMENT

HTC D80, 967839011, 967839012,
967839013, 967839014, 2021-01

A HTC 80iD II
Chassis

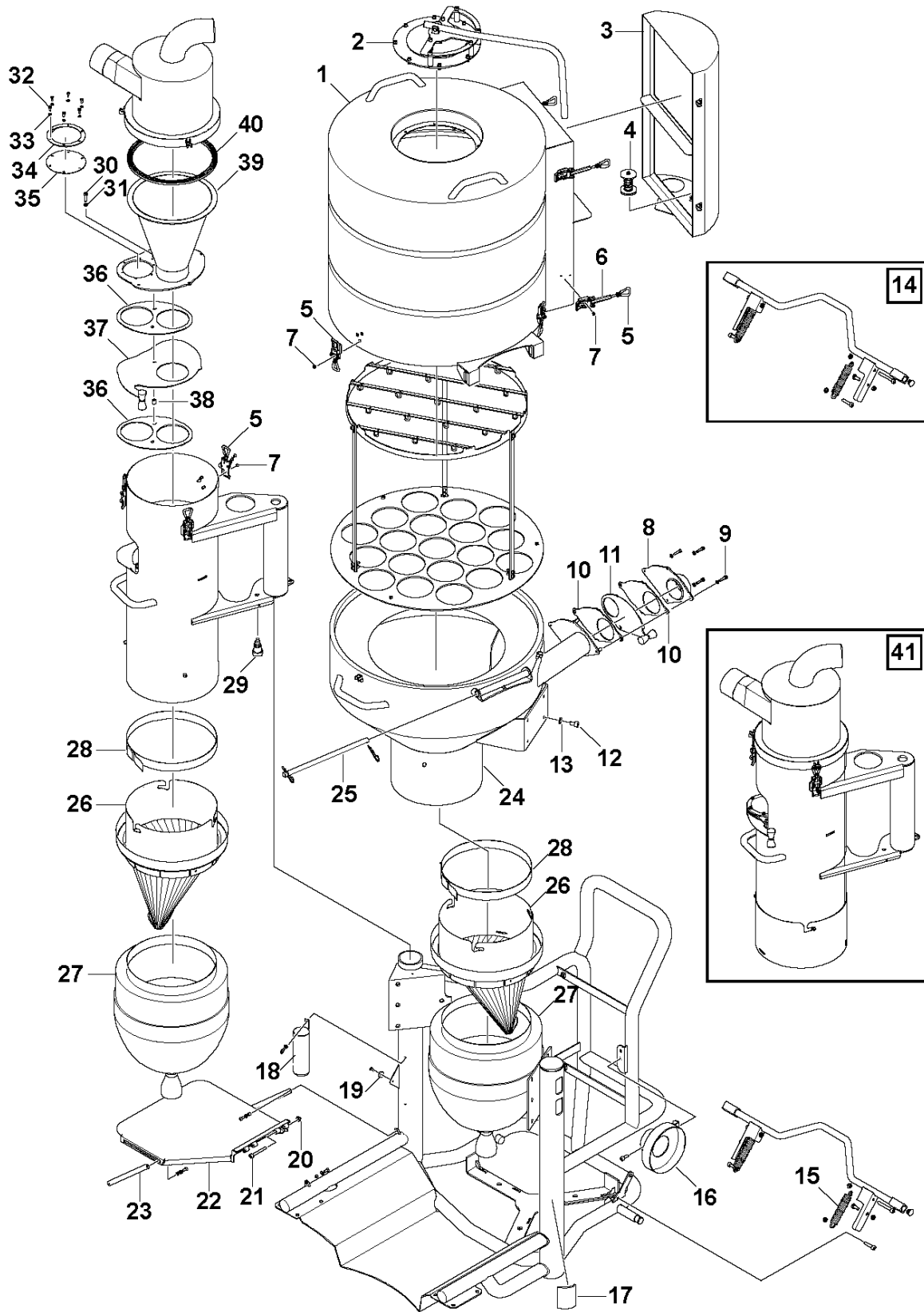


Chassis

HTC D80, 967839011, 967839012, 967839013, 967839014, 2021-01

Ref	Part No	Description	Remark	QTY KIT
2	593 44 41-01	STRIP	RUBBER LIST 9x3 MM. 0,9 M	1
3	593 53 07-02	LID		1
4	593 44 42-01	STRIP	0,8 M	1
5	593 45 77-01	THREAD INSERT		1
6	593 50 88-01	SCREW		8
7	593 49 91-01	WASHER		8
8	593 44 08-01	STRAP		2
9	593 53 47-01	HOLDER	80iDII	2
10	593 44 64-01	BOX		2
11	593 49 58-01	LOCK NUT		8
12	593 46 76-01	CASTER		2
13	593 45 02-01	WHEEL		2
14	593 46 88-01	WHEEL		2
15	593 49 63-01	CIRCLIP		2
16	595 63 48-01	WIRE		1
17	593 51 10-01	LOCKWASHER		2
18	593 49 60-01	WASHER		2
19	593 49 73-01	SCREW		2
20	593 55 69-01	POWER UNIT	80iDII	1
20	593 54 66-01	POWER UNIT	POWER UNIT 80 iD 7,5KW 3X400V	1
20	595 74 06-01	POWER UNIT		1
20	595724701	TBD	POWER UNIT 80 iD 8,6KW 3X460V	1
20	594 99 13-01	POWER UNIT		1
21	593 50 06-01	SCREW		4
22	593 51 11-01	LOCKWASHER		4
23	595 74 33-01	FAN		1
23	593 46 16-01	FAN		1
24	593 47 42-01	HOSE	0,3 M	1
25	593 44 50-01	HOSE CLAMP		6
26	593 47 87-01	HOSE	0,6 M	1
27	593 47 87-01	HOSE	2,0 M	1

B HTC 80iD II
CHASSIS

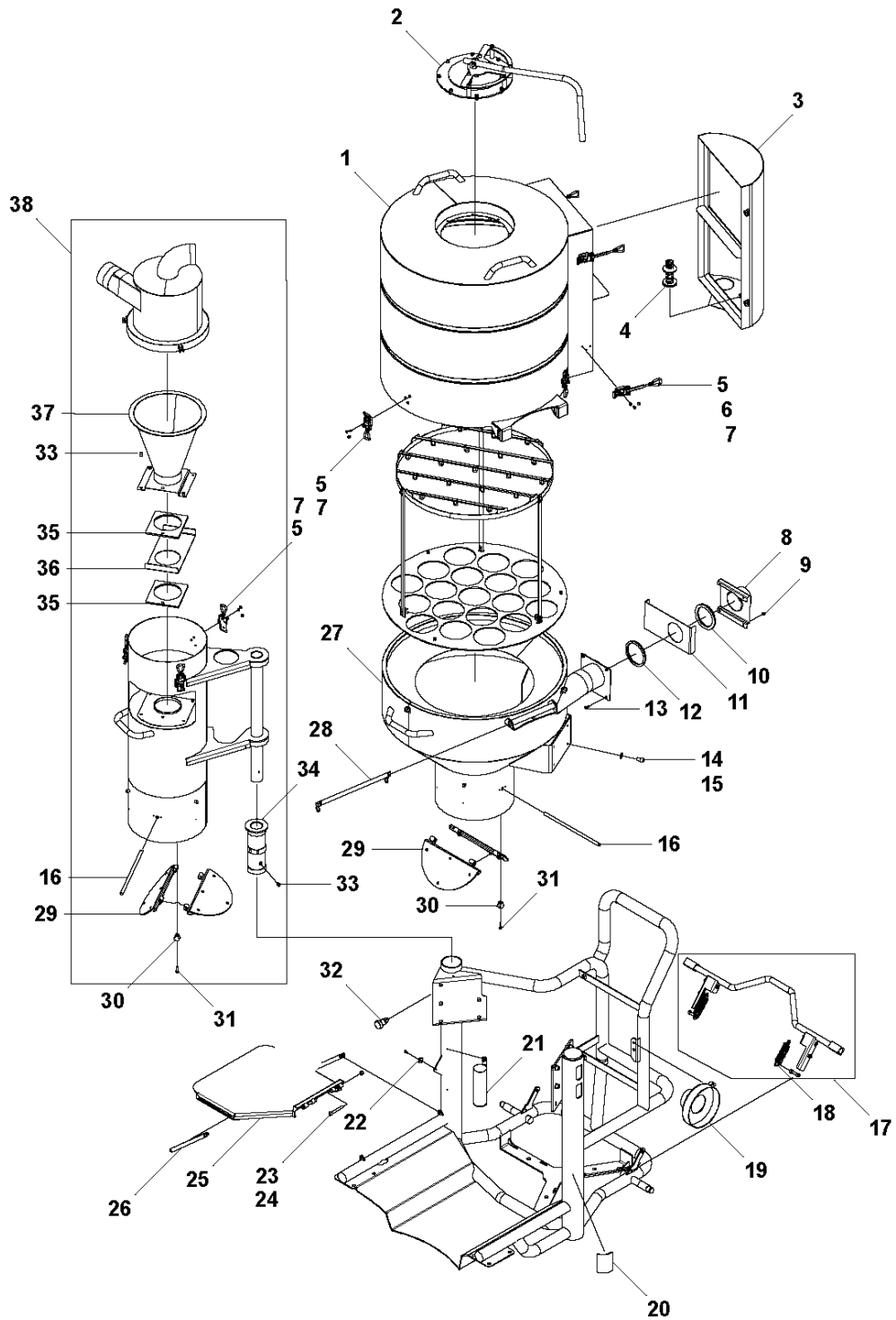


Chassis

HTC D80, 967839011, 967839012, 967839013, 967839014, 2021-01

Ref	Part No	Description	Remark	QTY KIT
1	593 52 65-02	FILTER UNIT		1
2	593 52 80-01	VALVE		1
3	593 63 14-02	COVER		1
4	595 70 04-01	VALVE		1
5	593 44 39-01	LATCH		10
6	593 51 25-01	SCREW		4
7	593 49 72-01	SCREW		30
8	595 70 65-01	VALVE		1
9	593 49 78-01	SCREW		4
10	593 53 45-01	SEAL		2
11	595 70 59-01	VALVE		1
12	593 50 87-01	SCREW		7
13	593 49 91-01	WASHER		10
14	593 52 90-01	BRAKE		1
15	593 52 70-01	SPRING		2
16	595 70 01-01	EXHAUST		1
17	595 70 08-01	PROTECTION		1
18	595 70 13-01	STRAP		1
19	595 70 03-01	MAGNET		1
20	593 49 98-01	LOCK NUT		2
21	593 50 03-01	SCREW		2
22	595 69 86-01	BAG		1
23	595 70 02-01	BRACKET		2
24	593 61 82-02	SUCTION HOSE		1
25	593 52 91-01	AXLE		1
26	593 53 47-02	HOLDER		2
27	593 44 64-01	BOX		2
28	593 44 08-01	STRAP		2
29	593 45 68-01	PISTON		1
30	593 50 73-01	SCREW		4
31	593 49 60-01	WASHER		4
32	593 50 52-01	SCREW		6
33	593 50 43-01	WASHER		6
34	595 70 66-01	FILTER		1
35	595 70 68-01	VALVE		1
36	595 70 58-01	SEPARATOR		2
37	593 63 16-01	PLATE		1
38	595 70 57-01	DISTANCE		4
39	595 70 56-01	SEPARATOR		1
40	593 44 42-01	STRIP		1
41	595 70 63-02	SEPARATOR		1
	593 46 79-01	DECAL		1
	593 47 66-01	DECAL		1

B HTC 80iD
CHASSIS

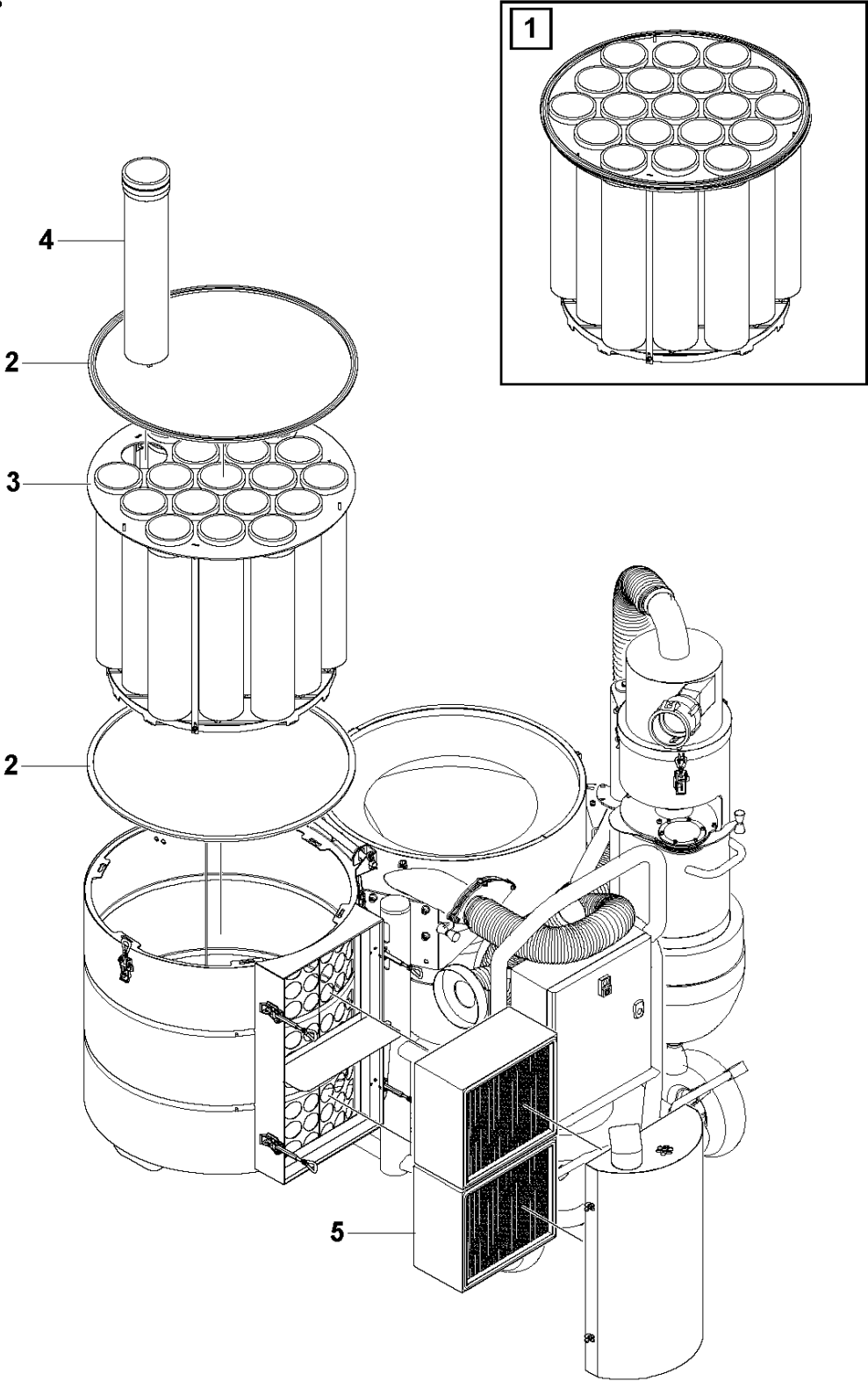


CHASSIS

HTC D80, 967839011, 967839012, 967839013, 967839014, 2021-01

Ref	Part No	Description	Remark	QTY KIT
1	593 52 65-02	FILTER UNIT	VAC FILTER UNIT	1
2	593 53 12-01	VALVE	CLEANER VALVE COMPLETE	1
3	593 63 14-02	COVER	HEPA MOUNTING	1
4	595 70 04-01	VALVE	RELIEF VALVE	1
5	593 44 39-01	LATCH	LATCH	10
6	593 51 25-01	SCREW	SPACER SCREW DSS M6x70 ZP	4
7	593 49 72-01	SCREW	SCREW MF6S M5x8 10.9 ZP	30
8	593 52 66-01	PLATE	VALVE PLATE	1
9	593 50 00-01	LOCK NUT	LOCKNUT LM6M M6	2
10	593 52 79-01	SEAL	SEALING (OUTER DIA DIMENSIONED)	1
11	595 69 96-01	PLATE	MOVABLE PLATE	1
12	593 45 23-01	GASKET	SEALING (OUTER DIA DIMENSIONED)	1
13	595 67 30-01	SCREW	SCREW MLC6S M6x10 8.8 ZP	4
14	593 50 87-01	SCREW	SCREW MC6S M10X16 8.8 ZP	7
15	593 49 91-01	WASHER	WASHER BRB M10 ZP	10
16	593 51 87-01	AXLE	AXLE FOR DUST HATCHET	2
17	593 52 90-01	BRAKE	BRAKE FASTENERS	1
18	593 52 70-01	SPRING	TENSION SPRING	2
19	595 70 01-01	EXHAUST	EXHAUST W. FASTENERS	1
20	595 70 08-01	PROTECTION	PROTECTION	1
21	595 70 13-01	STRAP	ZIP TIES HOLDER COMPLETE	1
22	595 70 03-01	MAGNET	MAGNET W. FASTENER	1
23	593 49 98-01	LOCK NUT	LOCKNUT LM6M M8	2
24	593 50 03-01	SCREW	SCREW MC6S M8X60 12.9 PLAIN	2
25	595 69 86-01	BAG	DUST BAG HOLDER	1
26	595 70 02-01	BRACKET	DUST SHELF BRACKET W. FASTENERS	2
27	594 95 32-01	VACUUM SYSTEM	VAC LOWER SECTION ASSY	1
28	593 52 91-01	AXLE	SHAFT W. FASTENER	1
29	593 52 69-01	DUST COVER	MOUNTED DUST SHEET	4
30	593 52 82-01	WEDGE	WEDGE	2
31	593 50 38-01	SCREW	SCREW MC6S M5X20 8.8 ZP	2
32	593 45 68-01	PISTON	LEVER INDEXING PLUNGER M16x1,5	1
33	593 49 54-01	SCREW	SCREW MC6S M6X10 8.8 ZP	5
34	593 52 64-01	BUSHING	PLASTIC BUSHING	1
35	593 52 39-01	SEAL	PLASTIC SEALING	2
36	593 52 38-01	PLATE	MOVABLE PLATE	1
37	593 52 68-01	CONE	PRESEPARATOR CONE	1
38	593 61 79-01	SEPARATOR	PRESEPARATOR COMPLETE	1

C HTC 80iD II
FILTERS

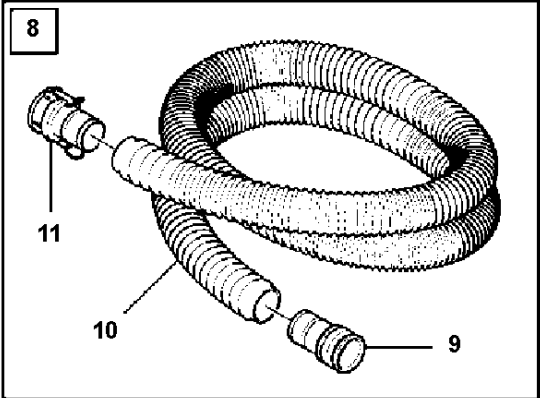
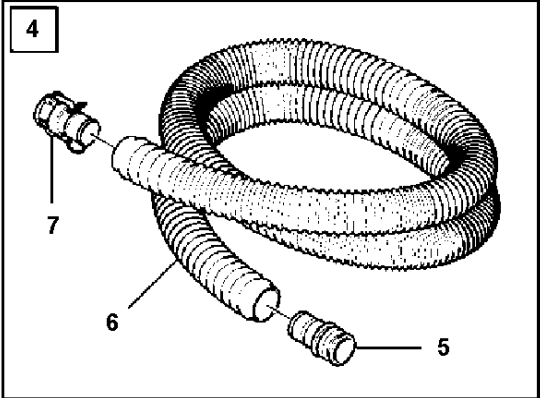
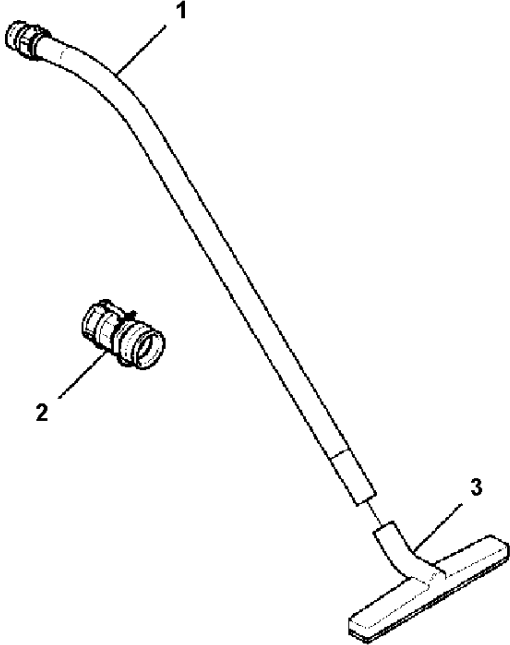


Filter

HTC D80, 967839011, 967839012, 967839013, 967839014, 2021-01

Ref	Part No	Description	Remark	QTY KIT
1	593 53 06-01	FILTER		1
2	593 44 42-01	STRIP	2,1 M	1
3	593 52 37-01	FILTER HOLDER		1
4	595 75 47-01	FILTER		19
5	593 44 40-01	FILTER		2

D HTC 80iD II
Cleaning kit

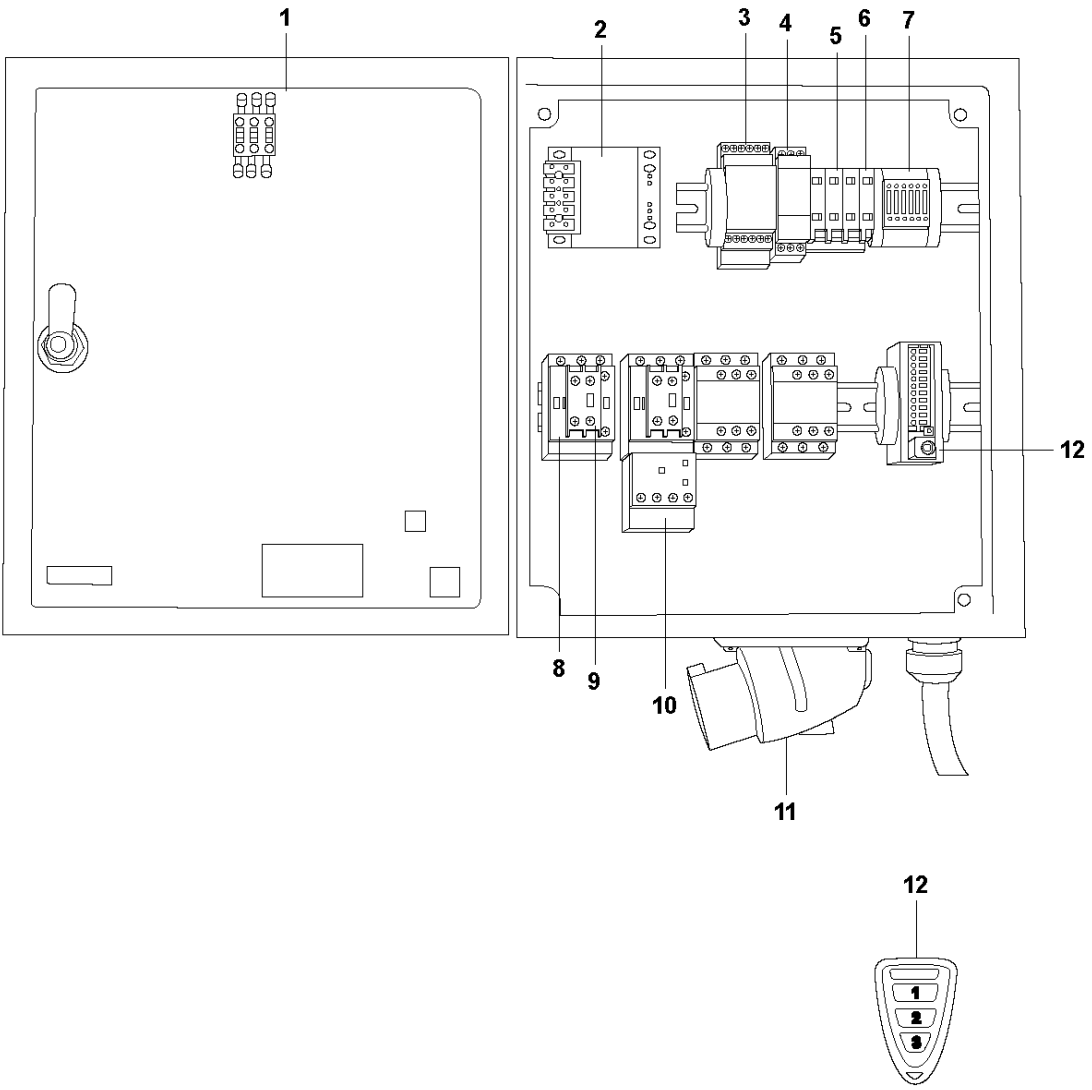


Cleaning kit

HTC D80, 967839011, 967839012, 967839013, 967839014, 2021-01

Ref	Part No	Description	Remark	QTY KIT
1	593 46 11-01	PIPE		1
2	593 46 96-01	ADAPTER		1
3	593 46 74-01	NOZZLE		1
4	593 47 90-01	HOSE KIT		1
5	593 46 68-01	HOSE COUPLING		1
6	593 47 91-01	HOSE	10 M	1
7	593 52 77-01	HOSE NIPPLE		1
8	593 47 88-01	HOSE KIT		1
9	593 45 76-01	HOSE COUPLING		1
10	593 47 86-01	HOSE	10 M	1
11	593 45 78-01	HOSE COUPLING		1

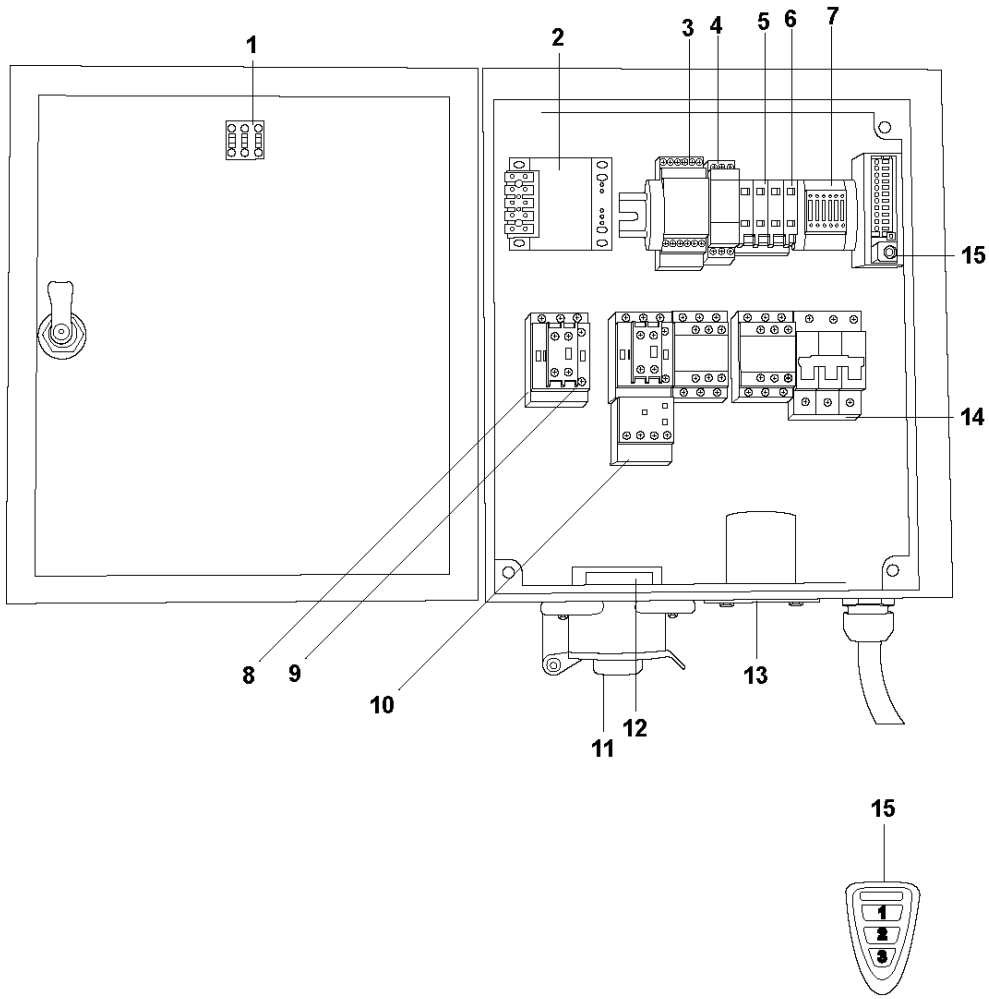
E HTC iD80
ELECTRICAL CABINET 3x400-460V



ELECTRICAL CABINET 3x400V-460V HTC D80, 967839011, 967839012, 967839013, 967839014, 2021-01

Ref	Part No	Description	Remark	QTY KIT
1	593 47 08-01	PUSH BUTTON	PRESS BUTTON DOUBLE	1
1	593 61 49-01	BASE	MOUNTING BASE, METAL	1
1	593 47 09-01	LAMP	BULB RED	1
1	593 39 97-01	BLOCK	CONTACT BLOCK RED (NC)	1
1	593 39 96-01	BLOCK	CONTACT BLOCK GREEN (NO)	1
2	593 47 10-01	TRANSFORMER	TRANSFORMER	1
3	593 55 08-01	RELAY	RELAY PHASE CONTROL	2
4	593 47 12-01	RELAY	RELAY TIME CONTROL	1
5	596 87 10-01	FUSE	FUSE GLASS TUBE 1A	3
5	595 08 37-01	FUSE	FUSE TERMINAL	3
6	593 47 14-01	FUSE	FUSE GLASS TUBE 5A	1
6	595 08 37-01	FUSE	FUSE TERMINAL	1
7	593 44 85-01	TERMINAL BLOCK	TERMINAL BLOCK	6
8	593 47 15-01	CONTACTOR	CONTACTOR	4
9	593 47 16-01	BLOCK	CONTACT BLOCK	2
10	593 47 17-01	RELAY	RELAY OVERCURRENT	1
11	593 39 59-01	INLET	POWER INLET 5P RED	1
11	593 44 93-01	INLET	POWER INLET 4P BLACK	1
12	593 54 67-01	STARTER	REMOTE START KIT EU	1
12	593 54 79-01	STARTER	REMOTE START KIT US	1
12	593 46 66-01	TRANSMISSION	TRANSMITTER EU	1

F HTC 80iD
ELECTRICAL CABINET 3x460V US plug



ELECTRICAL CABINET 3x460V US plug
967839014, 2021-01

HTC D80, 967839011, 967839012, 967839013,

Ref	Part No	Description	Remark	QTY KIT
1	593 47 08-01	PUSH BUTTON	PRESS BUTTON DOUBLE	1
1	593 61 49-01	BASE	MOUNTING BASE, METAL	1
1	593 47 09-01	LAMP	BULB RED	1
1	593 39 97-01	BLOCK	CONTACT BLOCK RED (NC)	1
1	593 39 96-01	BLOCK	CONTACT BLOCK GREEN (NO)	1
2	593 47 10-01	TRANSFORMER	TRANSFORMER	1
3	593 55 08-01	RELAY	RELAY PHASE CONTROL	2
4	593 47 12-01	RELAY	RELAY TIME CONTROL	1
5	593 47 13-01	FUSE	FUSE GLASS TUBE 1A	3
5	595 08 37-01	FUSE	FUSE TERMINAL	3
6	593 47 14-01	FUSE	FUSE GLASS TUBE 5A	1
6	595 08 37-01	FUSE	FUSE TERMINAL	1
8	593 47 15-01	CONTACTOR	CONTACTOR	4
9	593 47 16-01	BLOCK	CONTACT BLOCK	2
10	593 47 17-01	RELAY	RELAY OVERCURRENT	1
11	595 64 37-01	INLET	POWER INLET COVER	1
12	593 62 94-01	INLET	POWER INLET 3P+E	1
13	593 47 44-01	SOCKET	OUTPUT CONNECTION 3P+E	1
14	593 55 17-01	FUSE	FUSE 3POL C16A	1
15	593 54 67-01	STARTER	REMOTE START KIT EU	1
15	593 54 79-01	STARTER	REMOTE START KIT US	1
15	593 46 66-01	TRANSMISSION	TRANSMITTER EU	1